

This Owner's Manual is provided and hosted by [Appliance Factory Parts](#).



GE JVM1542WF Owner's Manual

[Shop genuine replacement parts for GE JVM1542WF](#)



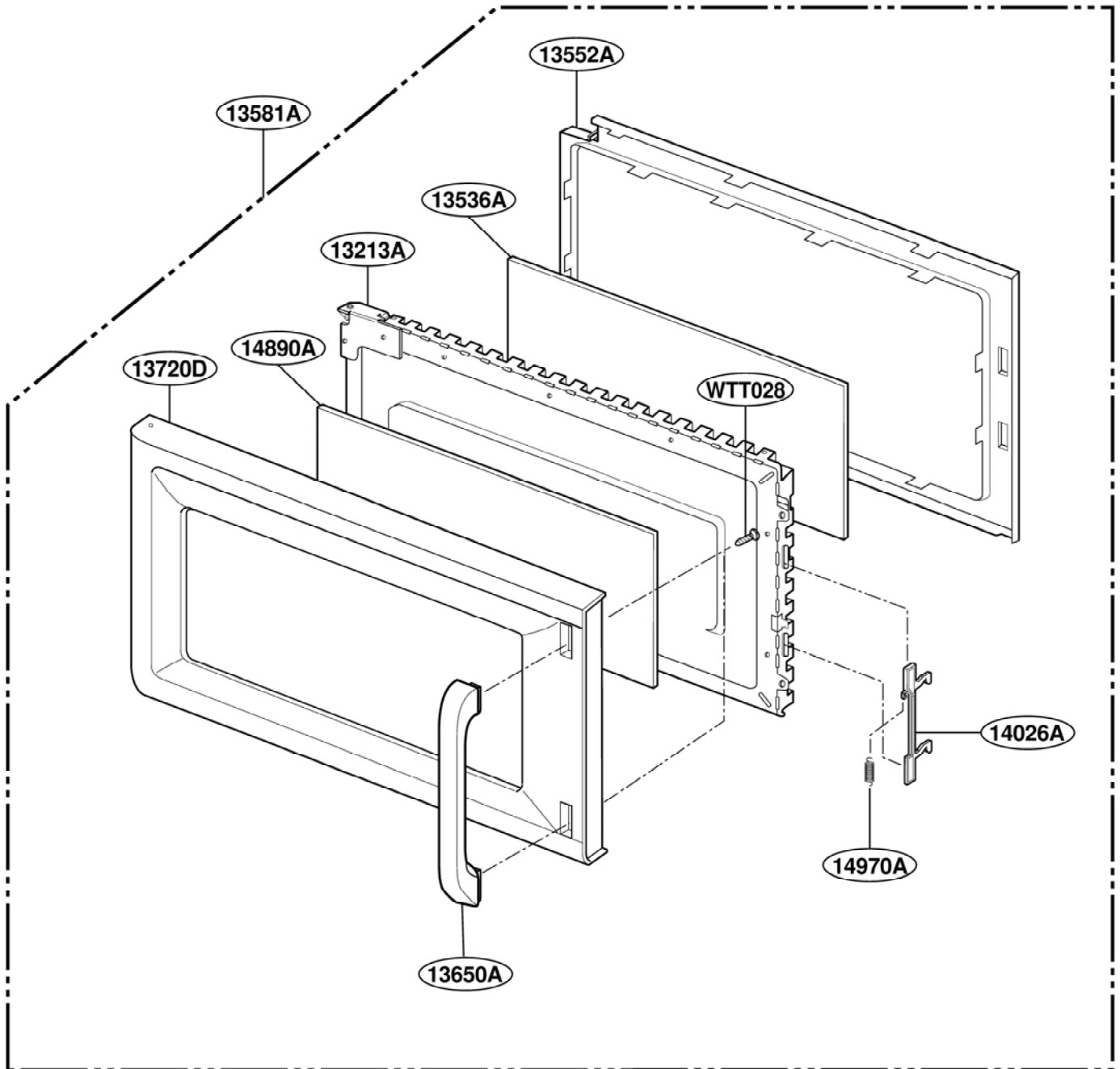
[Find Your GE Microwave Parts - Select From 3055 Models](#)

----- Manual continues below -----

EXPLODED VIEW

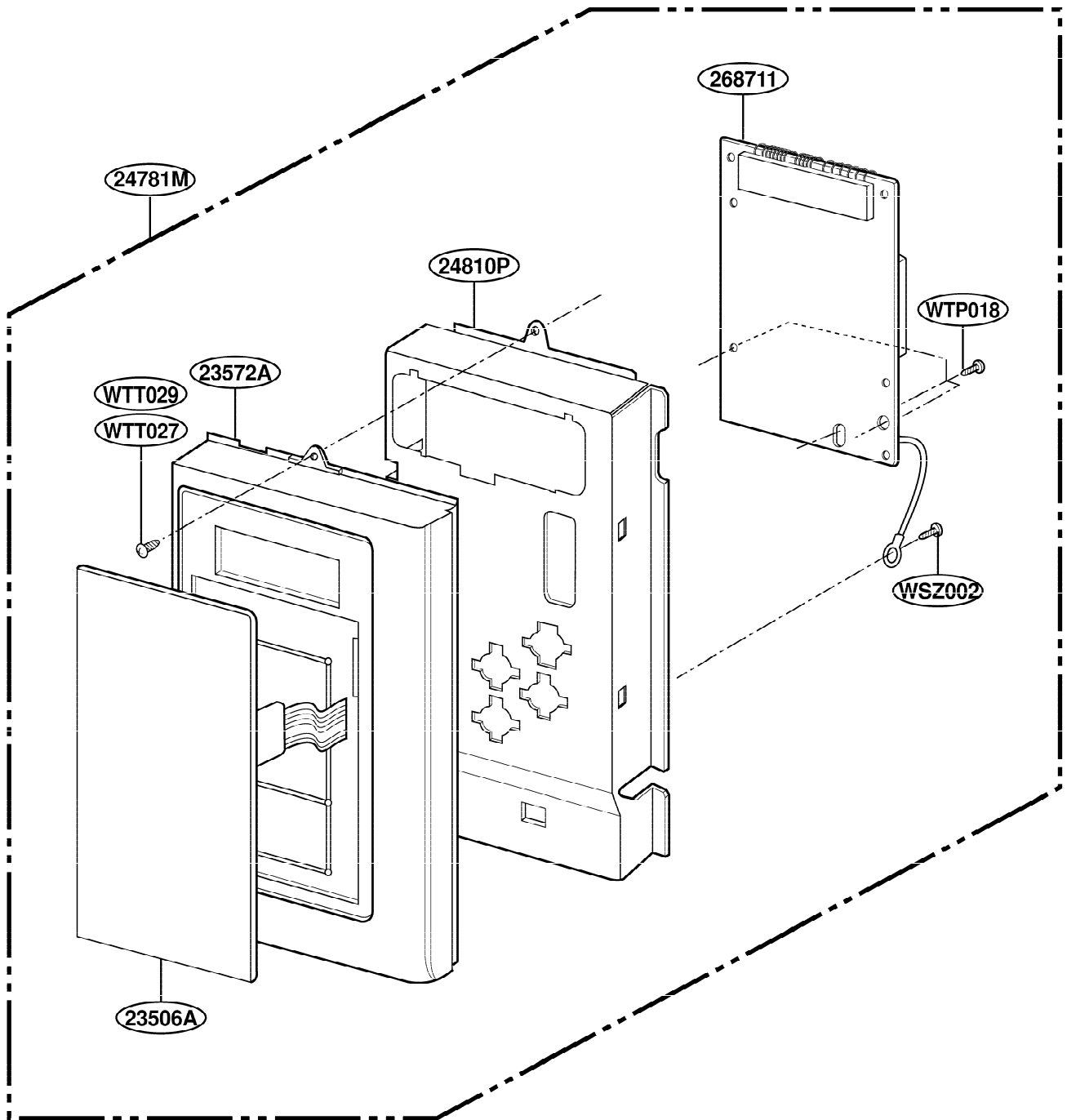
MODEL : JVM1542BF/WF

DOOR PARTS

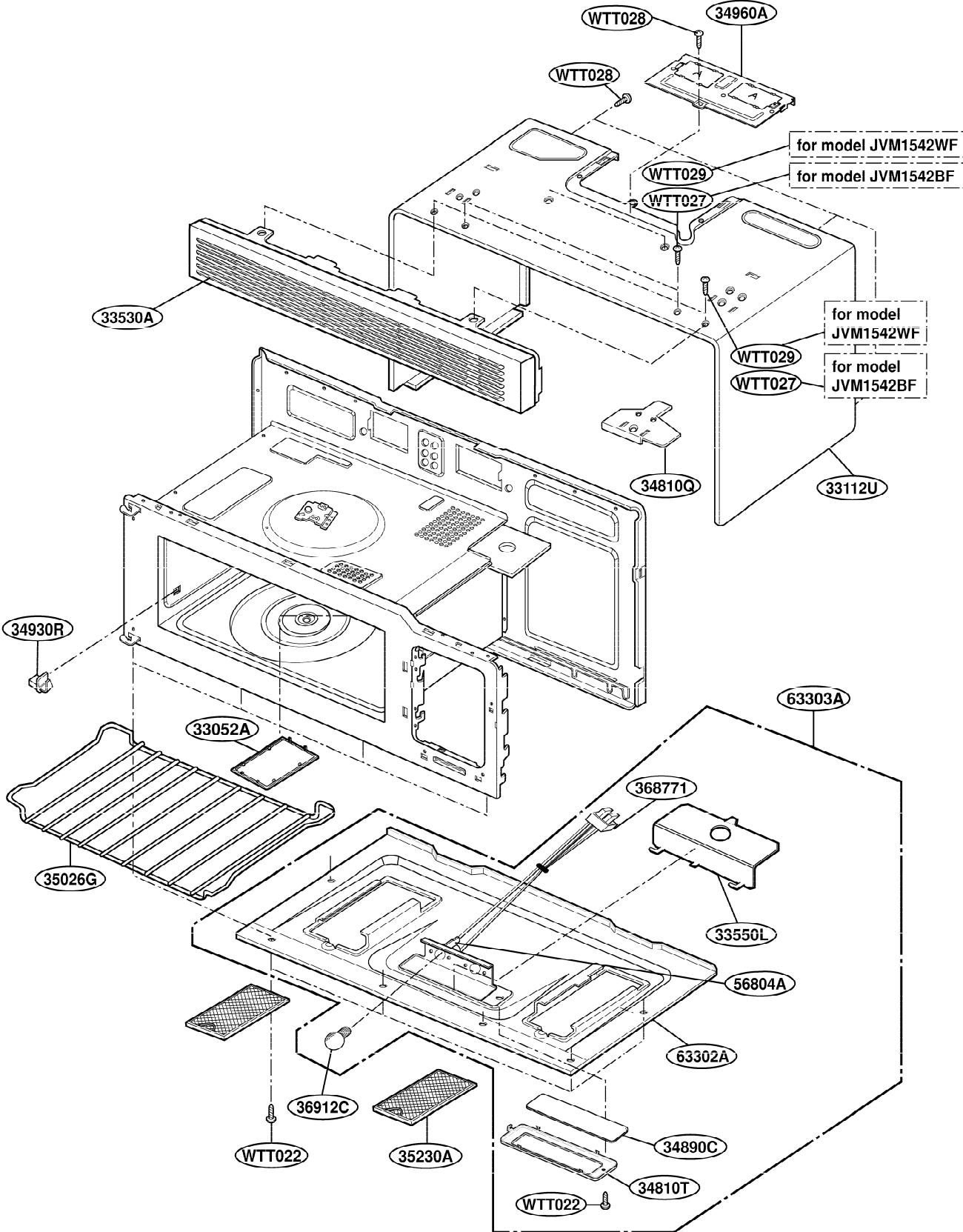


P/NO: 3828W5S3364

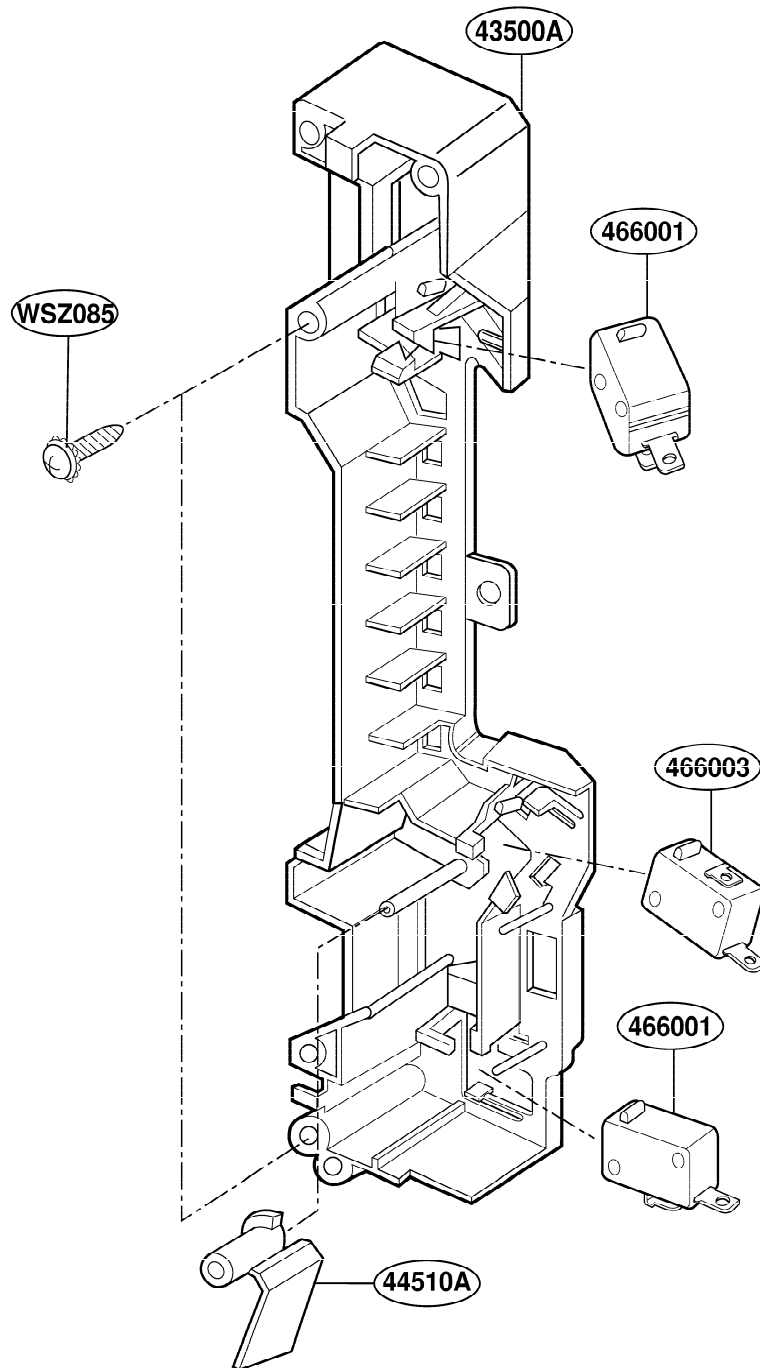
CONTROLLER PARTS



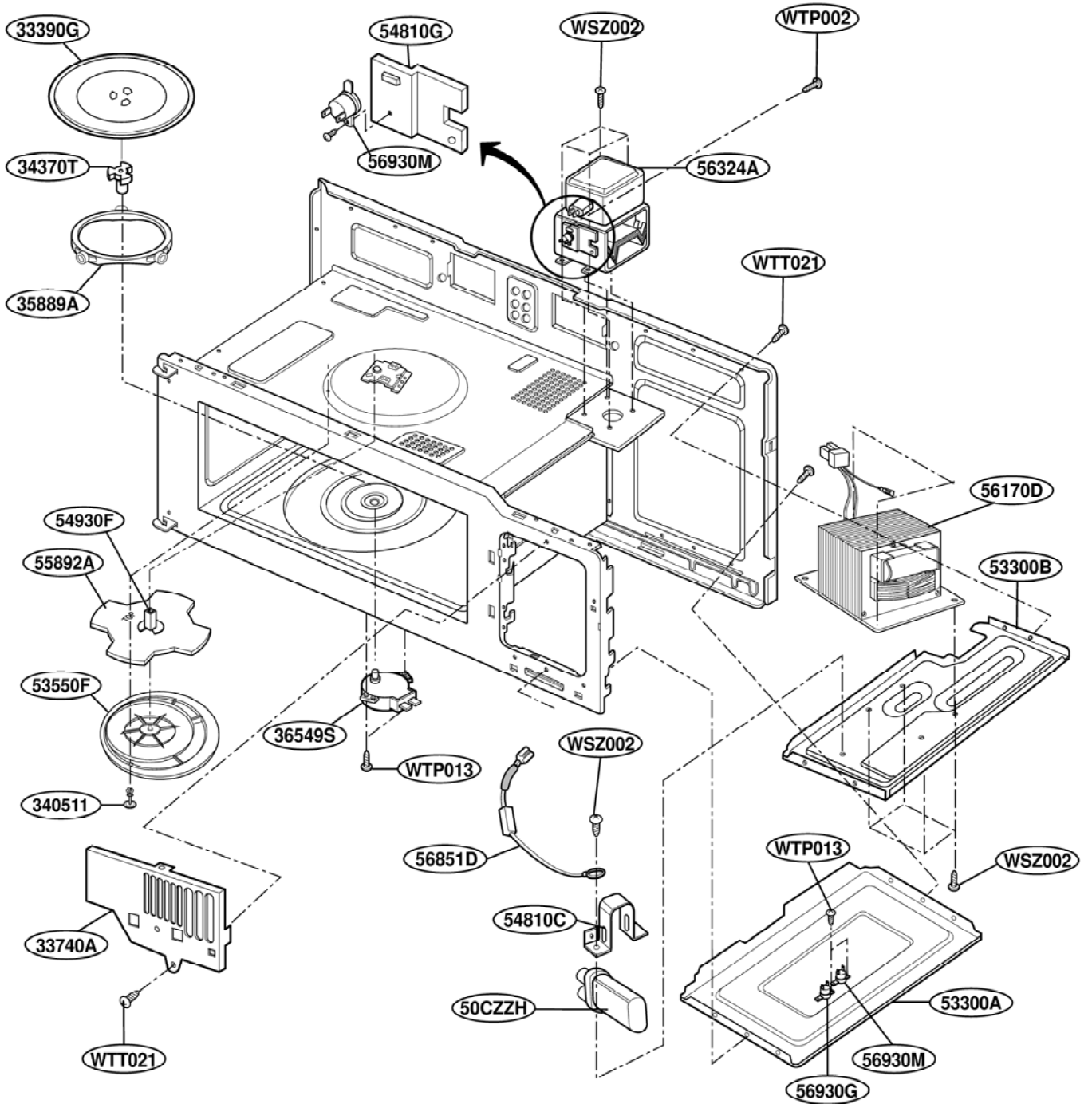
OVEN CAVITY PARTS



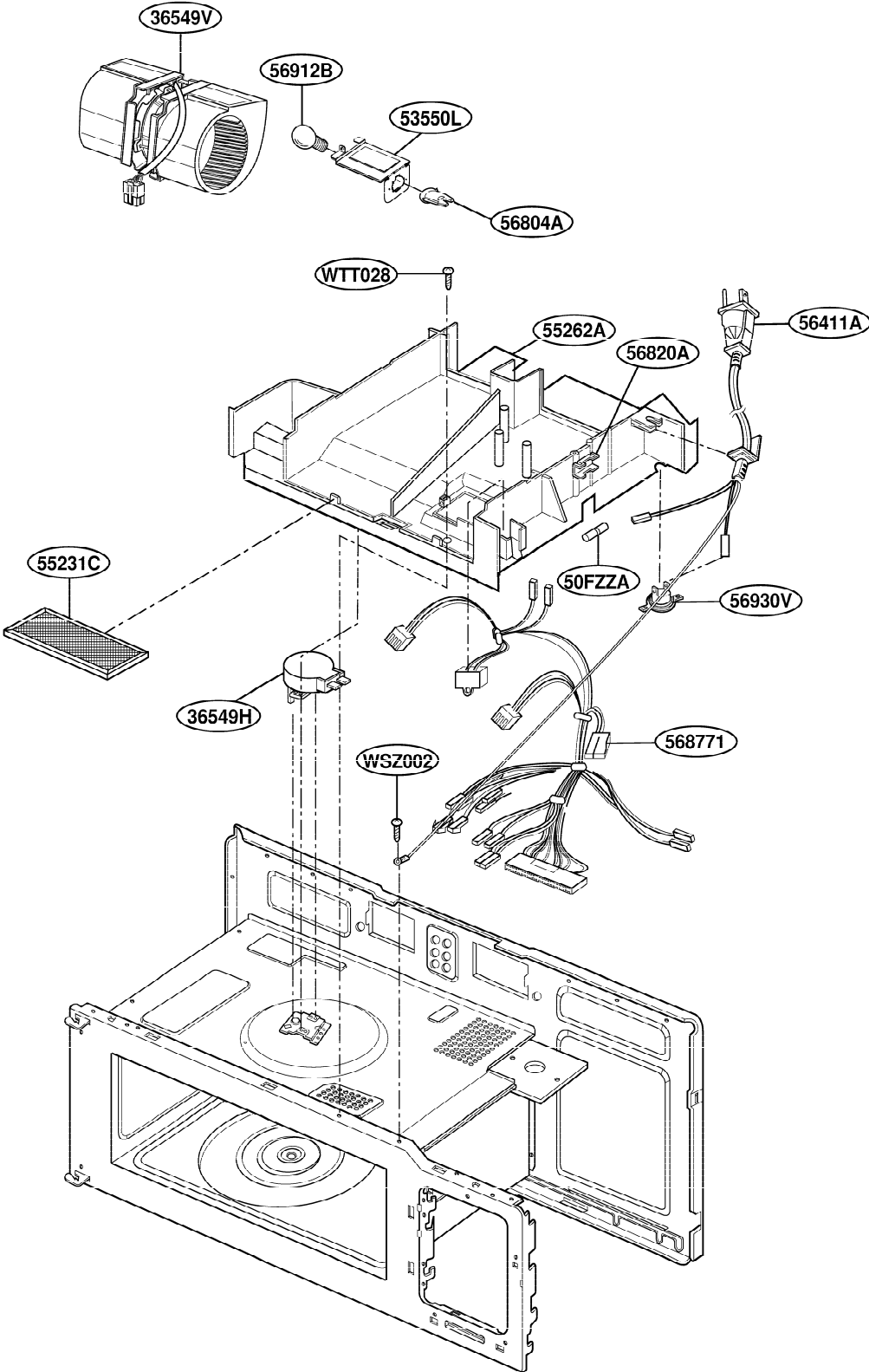
LATCH BOARD PARTS



INTERIOR PARTS(I)



INTERIOR PARTS(II)



INSTALLATION PARTS

