

This Owner's Manual is provided and hosted by [Appliance Factory Parts](#).



LG JVM1542WF-02 Owner's Manual

[Shop genuine replacement parts for LG JVM1542WF-02](#)



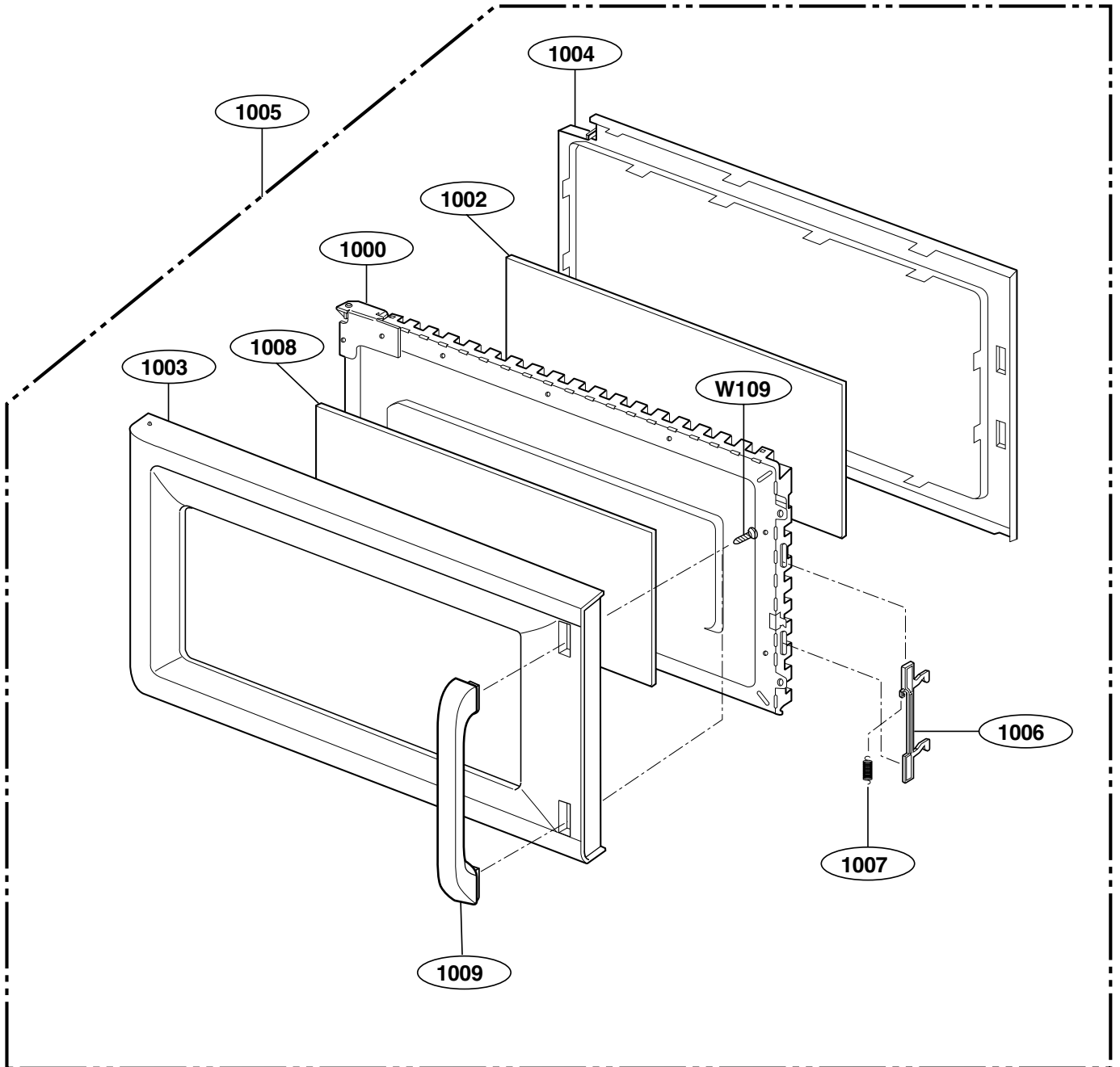
[Find Your LG Microwave Parts - Select From 955 Models](#)

----- Manual continues below -----

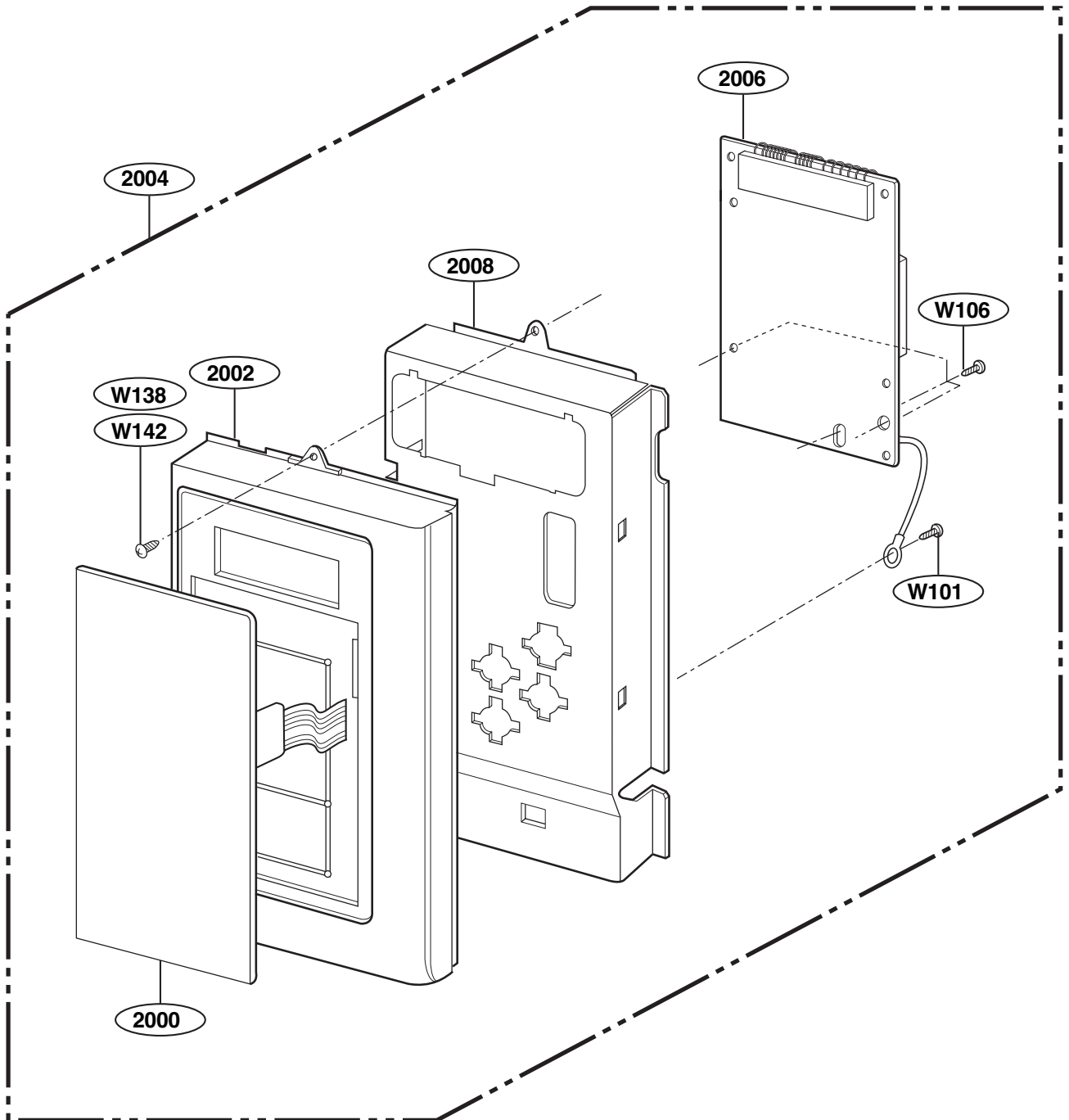
EXPLODED VIEW

DOOR PARTS

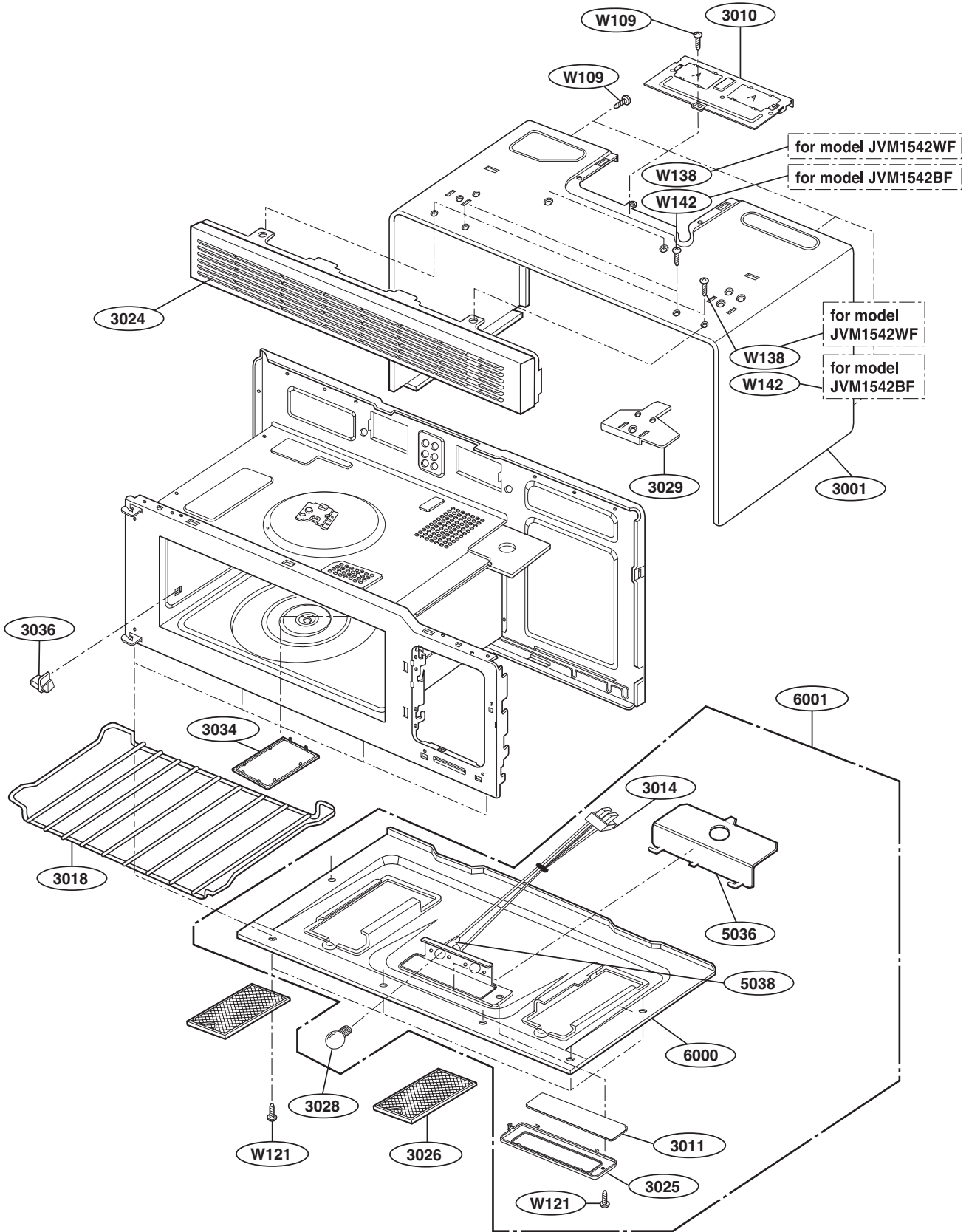
MODEL : JVM1542BF
JVM1542WF



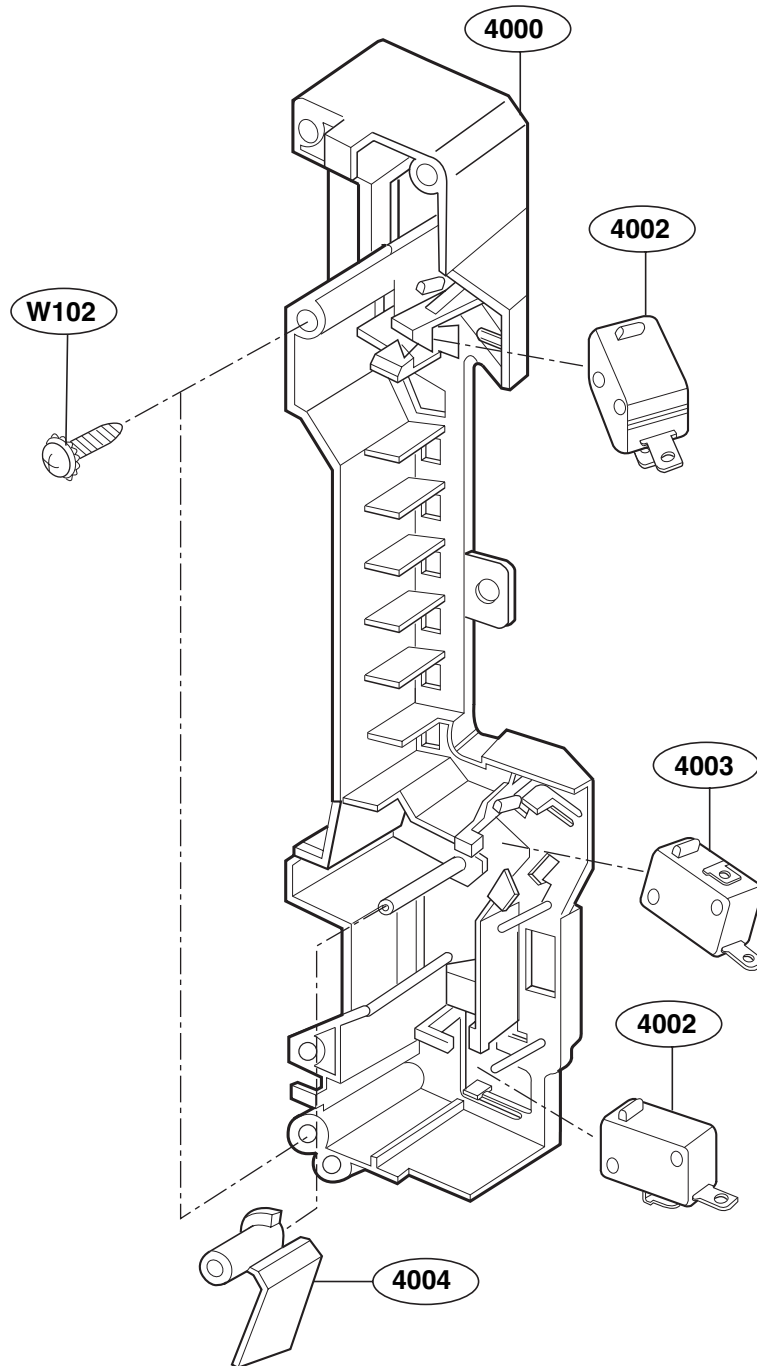
CONTROLLER PARTS



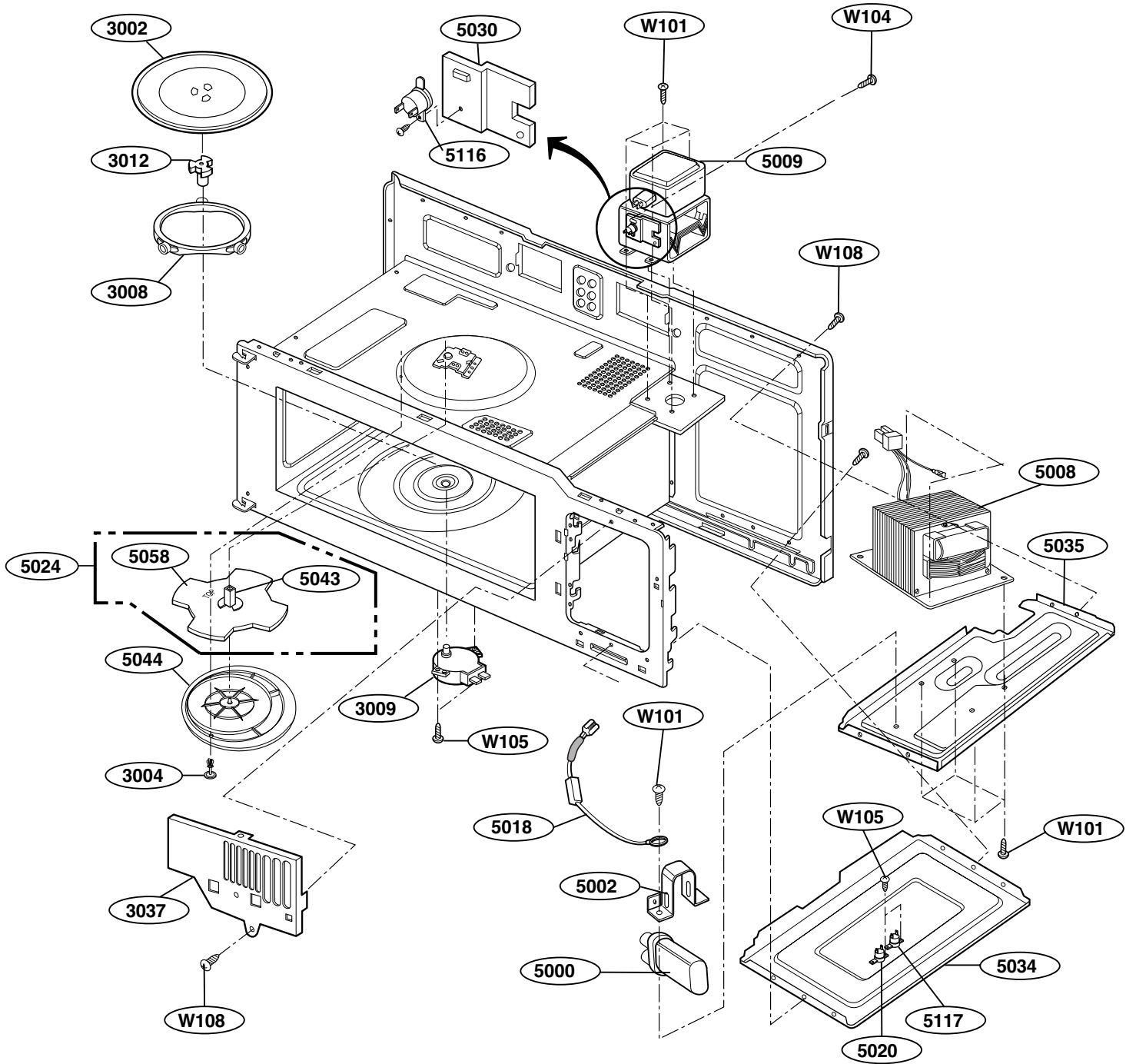
OVEN CAVITY PARTS



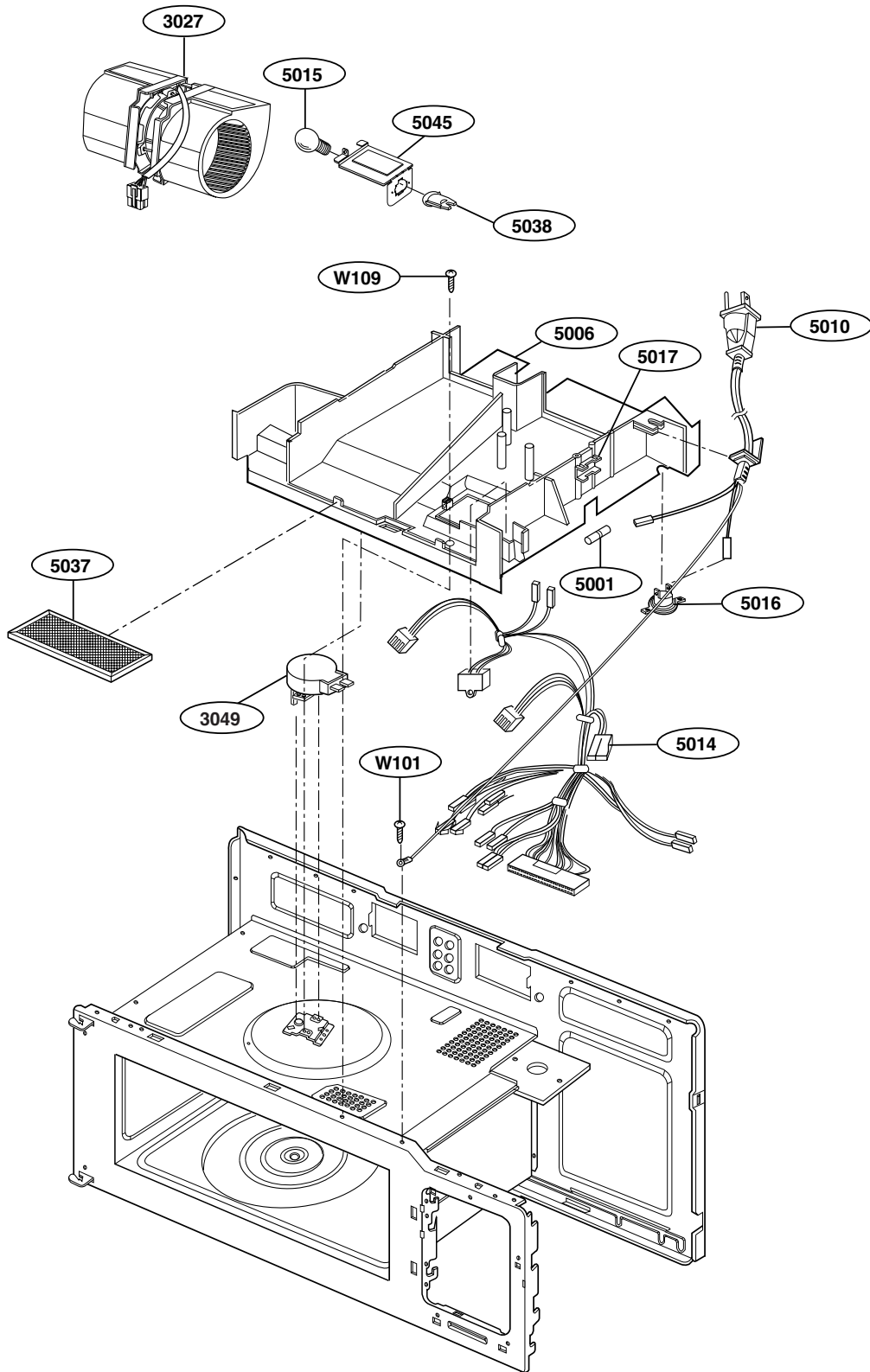
LATCH BOARD PARTS



INTERIOR PARTS (I)



INTERIOR PARTS (II)



INSTALLATION PARTS

