

This Owner's Manual is provided and hosted by [Appliance Factory Parts](#).



LG JVM1542WF-02 Owner's Manual

[Shop genuine replacement parts for LG JVM1542WF-02](#)



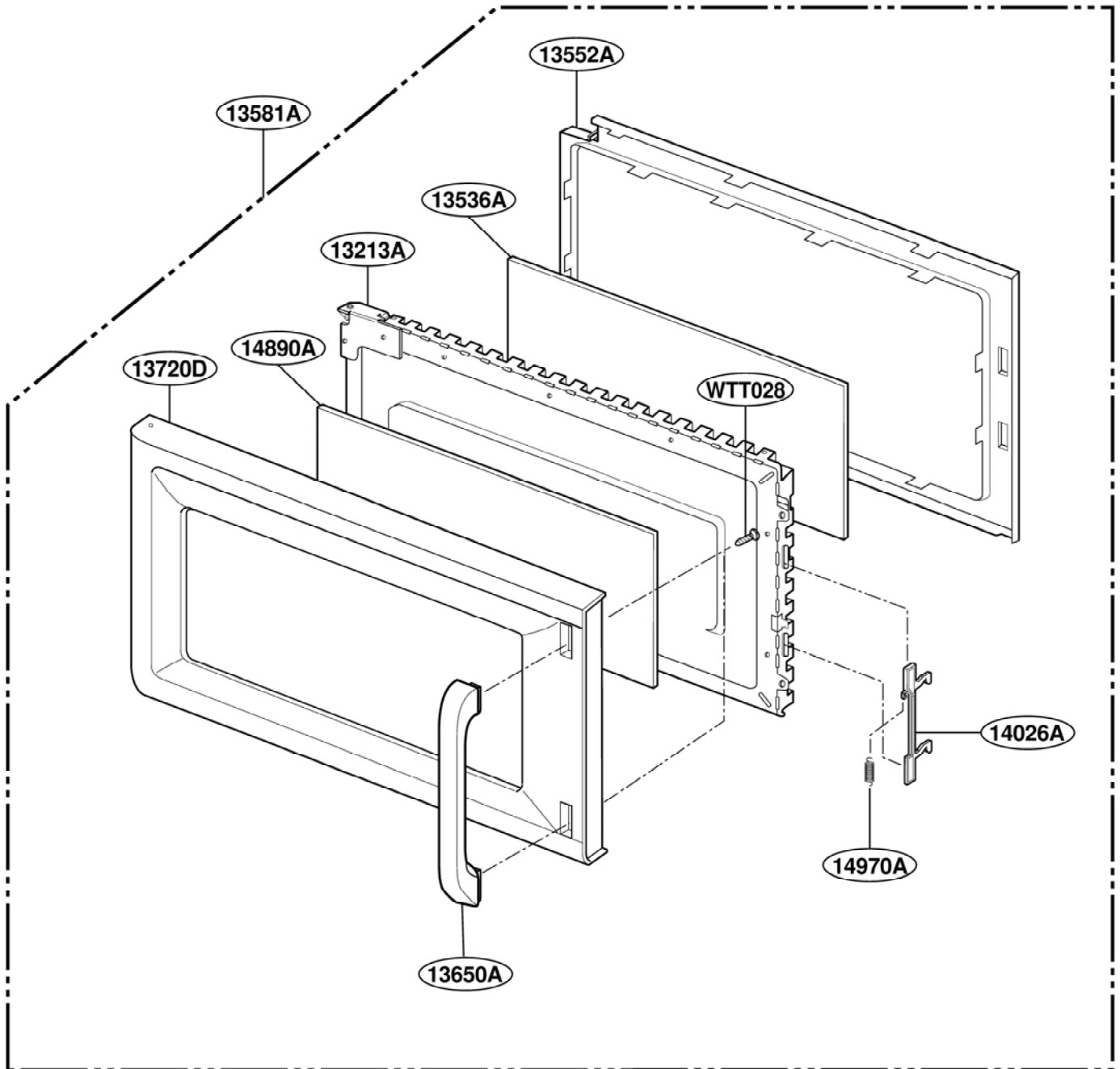
[Find Your LG Microwave Parts - Select From 955 Models](#)

----- Manual continues below -----

EXPLODED VIEW

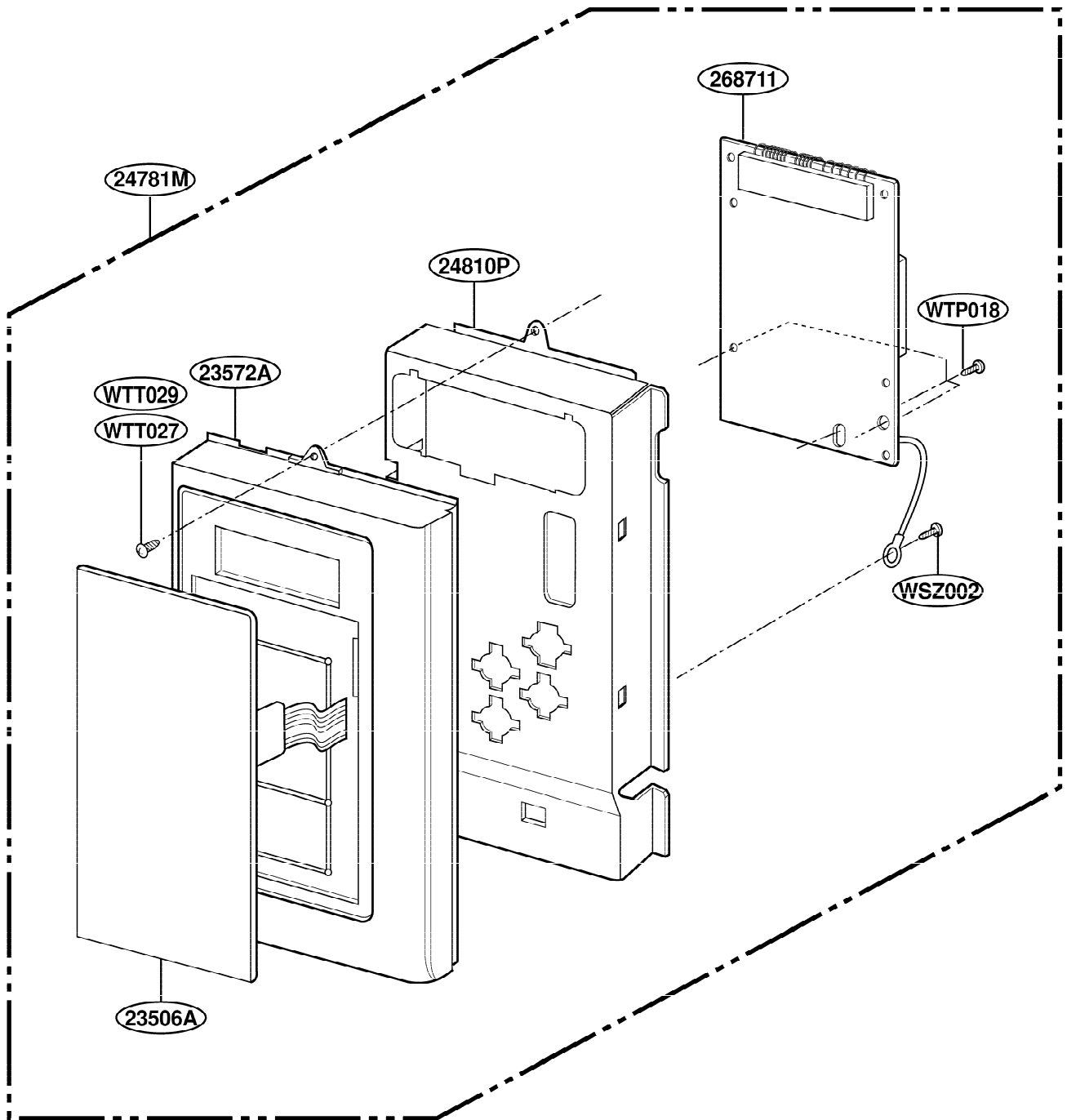
MODEL : JVM1542BF/WF

DOOR PARTS

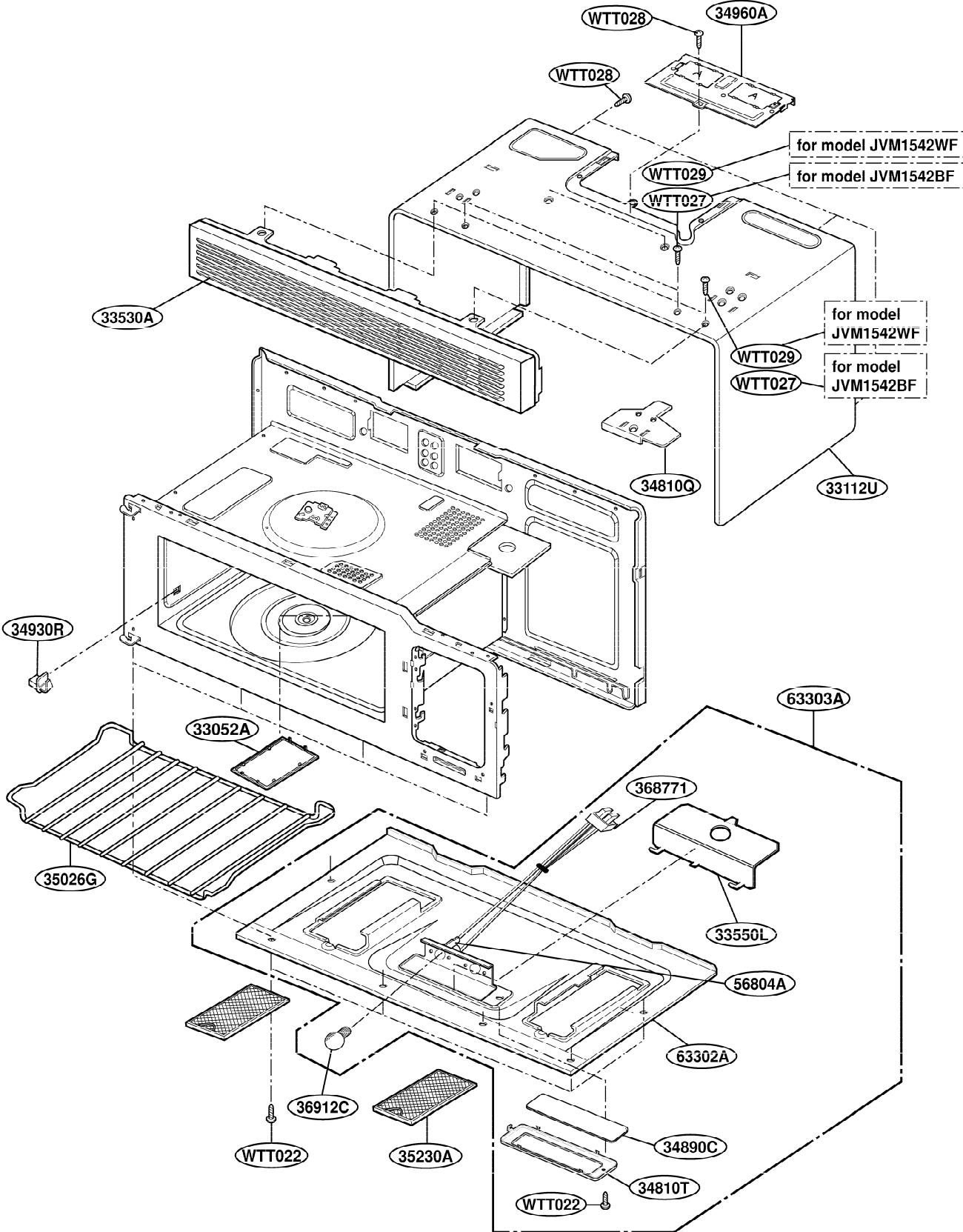


P/NO: 3828W5S3364

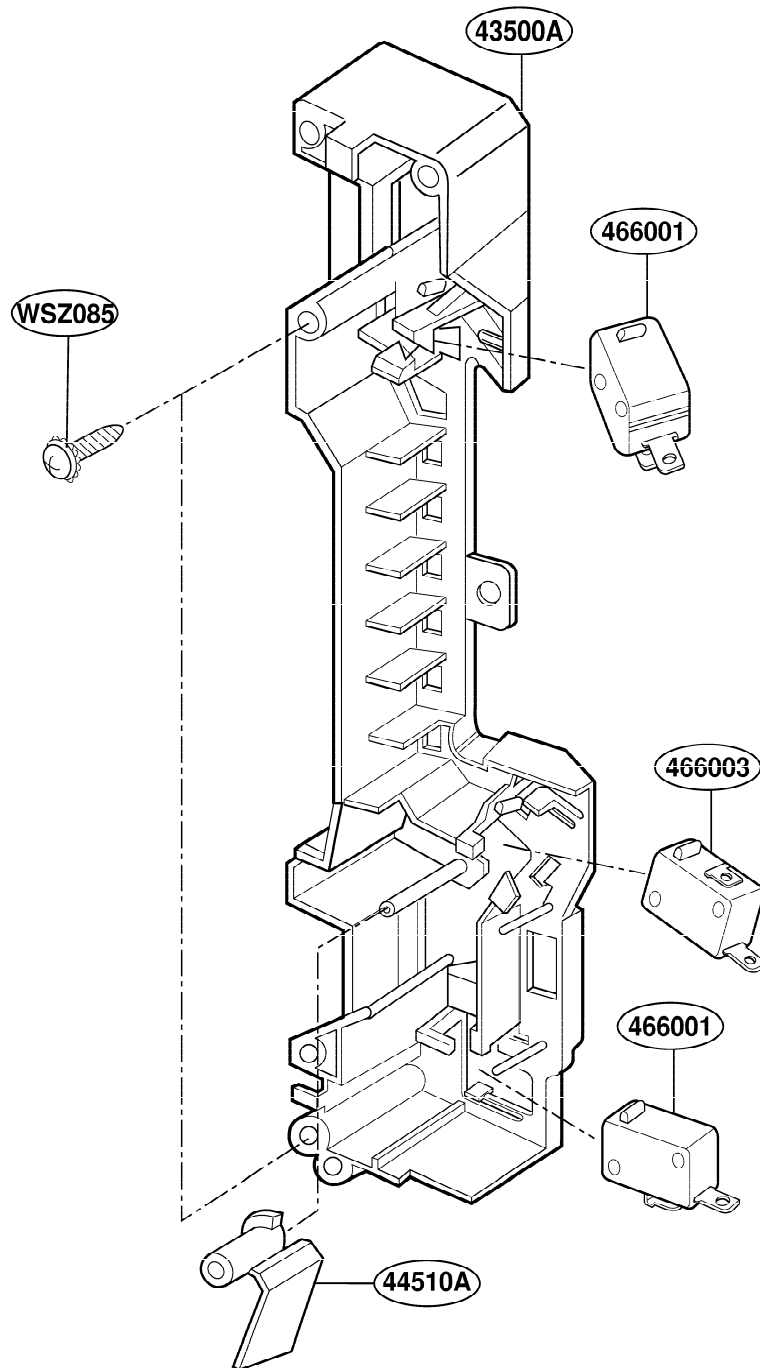
CONTROLLER PARTS



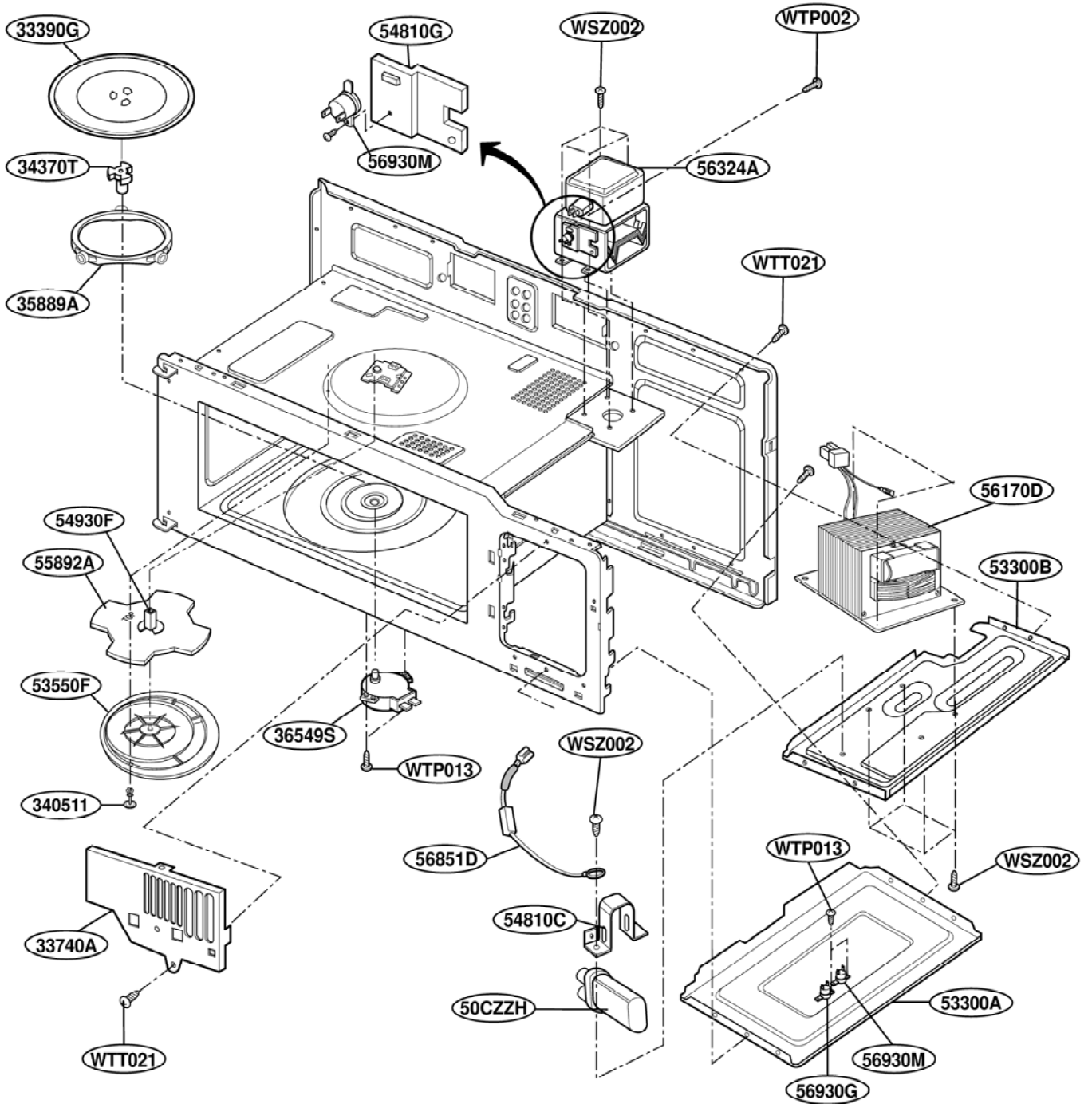
OVEN CAVITY PARTS



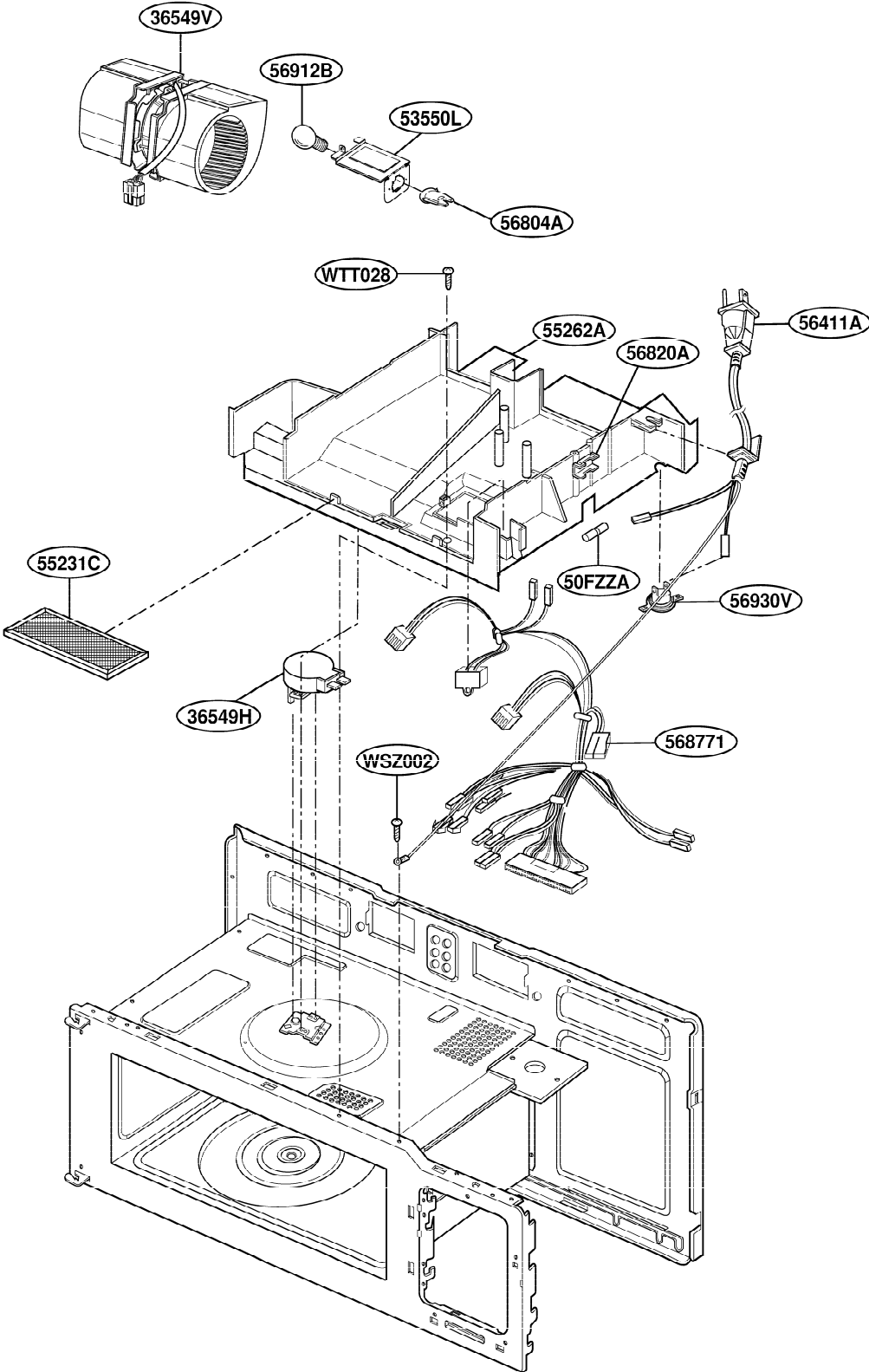
LATCH BOARD PARTS



INTERIOR PARTS(I)



INTERIOR PARTS(II)



INSTALLATION PARTS

