

# Installation Instructions

# Above the Cooktop Oven

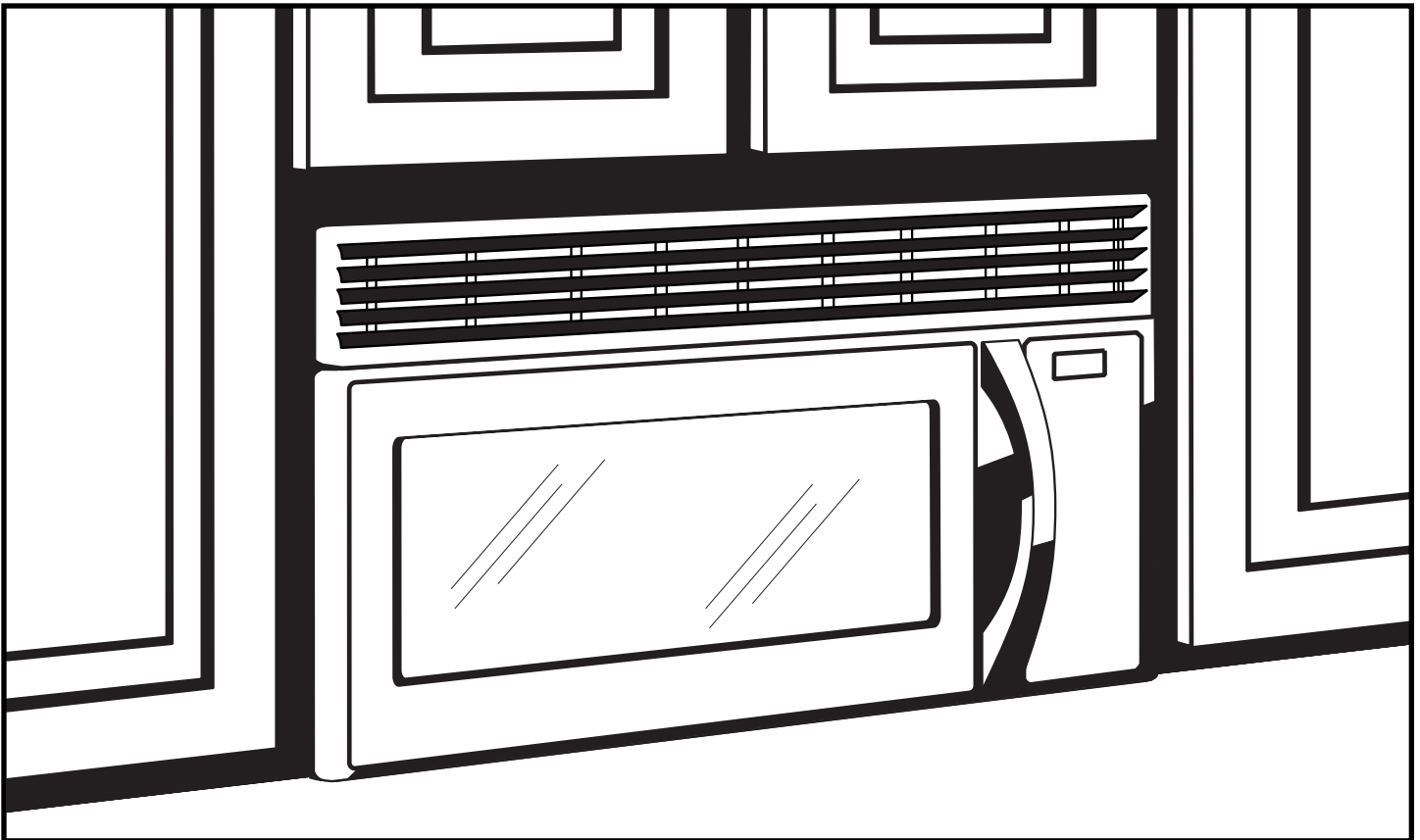
JVM1500 Series

Questions? Call 800.GE.CARES (800.432.2737) or Visit our Website at: [www.GEAppliances.com](http://www.GEAppliances.com)

## BEFORE YOU BEGIN

Read these instructions completely and carefully.

- **IMPORTANT** – Save these instructions for local inspector's use.
- **IMPORTANT** – Observe all governing codes and ordinances.
- **Note to Installer** – Be sure to leave these instructions with the Consumer.
- **Note to Consumer** – Keep these instructions for future reference.
- **Skill level** – Installation of this appliance requires basic mechanical and electrical skills.
- Proper installation is the responsibility of the installer.
- Product failure due to improper installation is not covered under the Warranty.



**READ CAREFULLY.  
KEEP THESE INSTRUCTIONS.**

# Installation Instructions

## CONTENTS

### General information

Important Safety Instructions .....	3
Electrical Requirements .....	3
Hood Exhaust .....	4, 5
Damage—Shipment/Installation .....	6
Parts Included .....	6
Tools You Will Need .....	7
Mounting Space .....	7

### Step-by-step installation guide

Placement of Mounting Plate .....	8–10
Removing the Mounting Plate .....	8
Finding the Wall Studs .....	8
Determining Wall Plate Location .....	9
Aligning the Wall Plate .....	10

### Installation Types .....

<b>A</b> Recirculating (Non-Vented Ductless) .....	12–14
Attach Mounting Plate to Wall .....	12
Preparation of Top Cabinet .....	13
Mount the Oven .....	13, 14
When Replacing the Charcoal Filter .....	14

<b>B</b> Outside Back Exhaust (Horizontal Duct) .....	15–18
Preparing Rear Wall for Outside Back Exhaust .....	15
Attach Exhaust Adapter to Wall Plate .....	15
Attach Mounting Plate to Wall .....	16
Preparation of Top Cabinet .....	16
Adapting Blower for Outside Back Exhaust .....	17
Mount the Oven .....	18

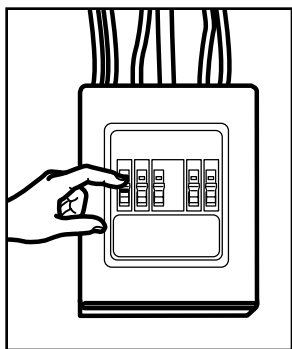
### Installation Types (cont.)

<b>C</b> Outside Top Exhaust (Vertical Duct) .....	19–22
Attach Mounting Plate to Wall .....	19
Preparation of Top Cabinet .....	20
Adapting Blower for Top Exhaust .....	20, 21
Assemble and Install Adapter .....	21
Mount the Oven .....	21, 22
Adjust the Exhaust Adapter .....	22
Connecting Ductwork .....	22
Before You Use Your Oven .....	23

# Installation Instructions

## IMPORTANT SAFETY INSTRUCTIONS

This product requires a three-prong grounded outlet. The installer must perform a ground continuity check on the power outlet box before beginning the installation to insure that the outlet box is properly grounded. If not properly grounded, or if the outlet box does not meet electrical requirements noted (under ELECTRICAL REQUIREMENTS), a qualified electrician should be employed to correct any deficiencies.



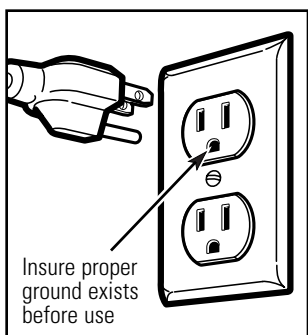
**CAUTION:** For personal safety, remove house fuse or open circuit breaker before beginning installation to avoid severe or fatal shock injury.

**CAUTION:** For personal safety, the mounting surface must be capable of supporting the cabinet load, in addition to the added weight of this 63-85 pound product, plus additional oven loads of up to 50 pounds or a total weight of 113-135 pounds.

**CAUTION:** For personal safety, this product cannot be installed in cabinet arrangements such as an island or a peninsula. It must be mounted to BOTH a top cabinet AND a wall.

**NOTE:** For easier installation and personal safety, it is recommended that two people install this product.

**IMPORTANT—PLEASE READ CAREFULLY. FOR PERSONAL SAFETY, THIS APPLIANCE MUST BE PROPERLY GROUNDED TO AVOID SEVERE OR FATAL SHOCK.**



Insure proper ground exists before use

The power cord of this appliance is equipped with a three-prong (grounding) plug which mates with a standard three-prong (grounding) wall receptacle to minimize the possibility of electric shock hazard from this appliance.

You should have the wall receptacle and circuit checked by a qualified electrician to make sure the receptacle is properly grounded.

Where a standard two-prong wall receptacle is encountered, it is very important to have it replaced with a properly grounded three-prong wall receptacle, installed by a qualified electrician.

**DO NOT, UNDER ANY CIRCUMSTANCES, CUT, DEFORM OR REMOVE ANY OF THE PRONGS FROM THE POWER CORD. DO NOT USE WITH AN EXTENSION CORD.**

## ELECTRICAL REQUIREMENTS

Product rating is 120 volts AC, 60 Hertz, 15 amps and 1.70 kilowatts. This product must be connected to a supply circuit of the proper voltage and frequency. Wire size must conform to the requirements of the National Electrical Code or the prevailing local code for this kilowatt rating. The power supply cord and plug should be brought to a separate 15 to 20 ampere branch circuit single grounded outlet. The outlet box should be located in the cabinet above the oven. The outlet box and supply circuit should be installed by a qualified electrician and conform to the National Electrical Code or the prevailing local code.

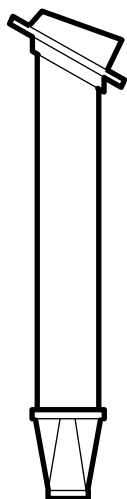
# Installation Instructions

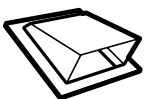


## HOOD EXHAUST

**NOTE:** Read these next two pages only if you plan to vent your exhaust to the outside. If you plan to recirculate the air back into the room, proceed to page 6.

### OUTSIDE TOP EXHAUST (EXAMPLE ONLY)

The following chart describes an example of one possible ductwork installation.



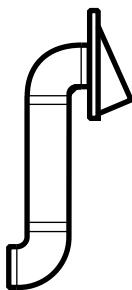
DUCT PIECES		EQUIVALENT LENGTH	x	NUMBER USED	=	EQUIVALENT LENGTH
	Roof Cap	24 Ft.	x	(1)	=	24 Ft.
	12 Ft. Straight Duct (6" Round)	12 Ft.	x	(1)	=	12 Ft.
	Rectangular-to-Round Transition Adapter*	5 Ft.	x	(1)	=	5 Ft.
<b>Total Length =</b>						<b>41 Ft.</b>


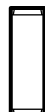

Equivalent lengths of duct pieces are based on actual tests and reflect requirements for good venting performance with any vent hood.

**\*IMPORTANT:** If a rectangular-to-round transition adapter is used, the bottom corners of the damper will have to be cut to fit, using the tin snips, in order to allow free movement of the damper.

### OUTSIDE BACK EXHAUST (EXAMPLE ONLY)

The following chart describes an example of one possible ductwork installation.



DUCT PIECES		EQUIVALENT LENGTH*	x	NUMBER USED	=	EQUIVALENT LENGTH
	Wall Cap	40 Ft.	x	(1)	=	40 Ft.
	3 Ft. Straight Duct (3/4" x 10" Rectangular)	3 Ft.	x	(1)	=	3 Ft.
	90° Elbow	10 Ft.	x	(2)	=	20 Ft.
<b>Total Length =</b>						<b>63 Ft.</b>

Equivalent lengths of duct pieces are based on actual tests and reflect requirements for good venting performance with any vent hood.

**NOTE:** For back exhaust, care should be taken to align exhaust with space between studs, or wall should be prepared at the time it is constructed by leaving enough space between the wall studs to accommodate exhaust.

# Installation Instructions

**NOTE:** If you need to install ducts, note that the total duct length of 3¼" x 10" rectangular or 6" diameter round duct **should not exceed 120 equivalent feet.**

Outside ventilation requires a HOOD EXHAUST DUCT. Read the following carefully.

**NOTE:** It is important that venting be installed using the most direct route and with as few elbows as possible. This ensures clear venting of exhaust and helps prevent blockages. **Also, make sure dampers swing freely and nothing is blocking the ducts.**

### Exhaust connection:





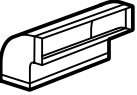
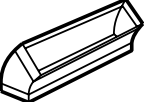


The hood exhaust has been designed to mate with a standard 3¼" x 10" rectangular duct.

If a round duct is required, a rectangular-to-round transition adapter must be used. **Do not use less than a 6" diameter duct.**

### Maximum duct length:

For satisfactory air movement, the total duct length of 3¼" x 10" rectangular or 6" diameter round duct **should not exceed 120 equivalent feet.**

**Elbows, transitions, wall and roof caps, etc.,** present additional resistance to airflow and are equivalent to a section of straight duct which is longer than their actual physical size. When calculating the total duct length, add the equivalent lengths of all transitions and adapters plus the length of all straight duct sections. The chart below shows you how to calculate total equivalent ductwork length using the approximate feet of equivalent length of some typical ducts.

DUCT PIECES	EQUIVALENT LENGTH	x	NUMBER USED	=	EQUIVALENT LENGTH
 Rectangular-to-Round Transition Adapter*	5 Ft.	x	( )	=	Ft.
 Wall Cap	40 Ft.	x	( )	=	Ft.
 90° Elbow	10 Ft.	x	( )	=	Ft.
 45° Elbow	5 Ft.	x	( )	=	Ft.
 90° Elbow	25 Ft.	x	( )	=	Ft.
 45° Elbow	5 Ft.	x	( )	=	Ft.
 Roof Cap	24 Ft.	x	( )	=	Ft.
 Straight Duct 6" Round or 3¼" x 10" Rectangular	1 Ft.	x	( )	=	Ft.
<b>Total Ductwork</b>				<b>=</b>	<b>Ft.</b>



**\*IMPORTANT:** If a rectangular-to-round transition adapter is used, the bottom corners of the damper will have to be cut to fit, using the tin snips, in order to allow free movement of the damper.

Equivalent lengths of duct pieces are based on actual tests and reflect requirements for good venting performance with any vent hood.


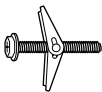


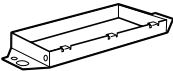



# Installation Instructions

## DAMAGE—SHIPMENT/ INSTALLATION

- If the unit is damaged in shipment, return the unit to the store in which it was bought for repair or replacement.
- If the unit is damaged by the customer, repair or replacement is the responsibility of the customer.
- If the unit is damaged by the installer (if other than the customer), repair or replacement must be made by arrangement between customer and installer.

## PARTS INCLUDED

### HARDWARE PACKET

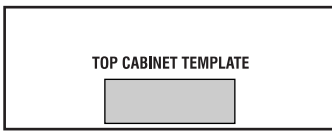

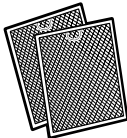
PART		QUANTITY
	Wood Screws ( $\frac{1}{4}$ " x 2")	2
	Toggle Bolts (and wing nuts) ( $\frac{1}{4}$ " x 3")	4
	Self-aligning Machine Screws ( $\frac{1}{4}$ "-28 x $3\frac{1}{4}$ ")	3
	Nylon Grommet (for metal cabinets)	2
	Exhaust Adapter	1
	Damper	1
	Metal Screws ( $\frac{1}{8}$ " x $\frac{1}{2}$ ")	1 black 2 bronze
	Power Cord Strap (plastic)	1

You will find the installation hardware contained in a packet with the unit. Check to make sure you have all these parts.

**NOTE:** Some extra parts are included.

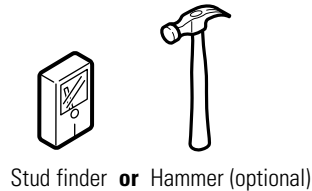
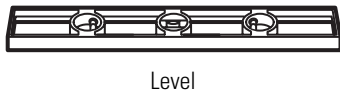
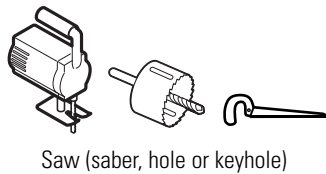
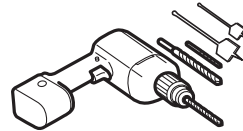
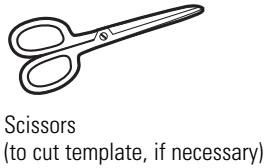
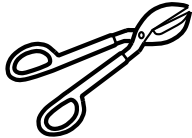
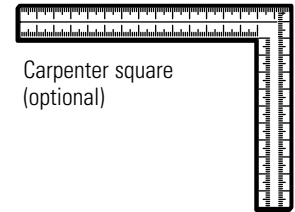
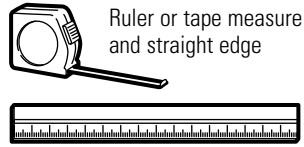
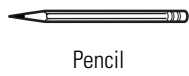
## PARTS INCLUDED

### ADDITIONAL PARTS

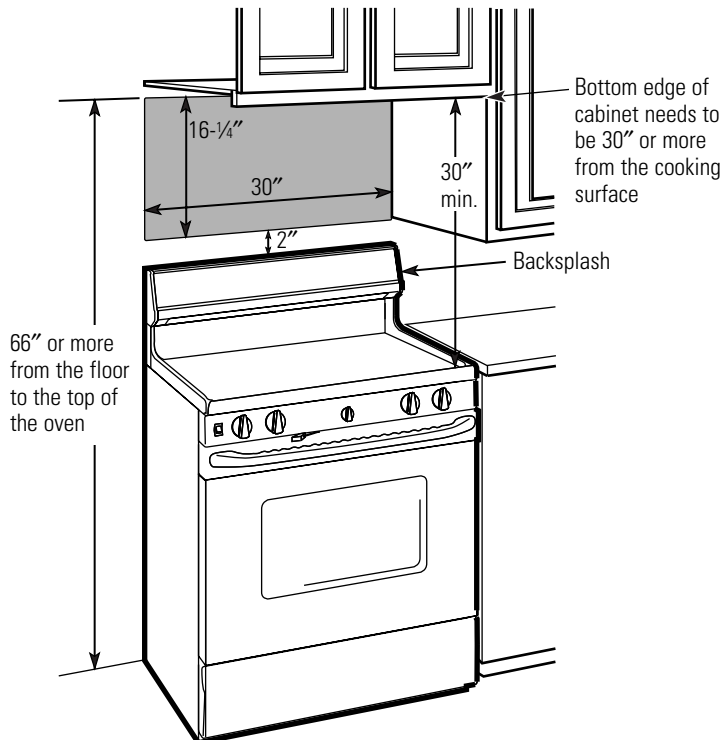
PART		QUANTITY
	Top Cabinet Template	1
	Installation Instructions	1
	Separately Packed Grease Filters	2

# Installation Instructions

## TOOLS YOU WILL NEED



## MOUNTING SPACE



### NOTES:

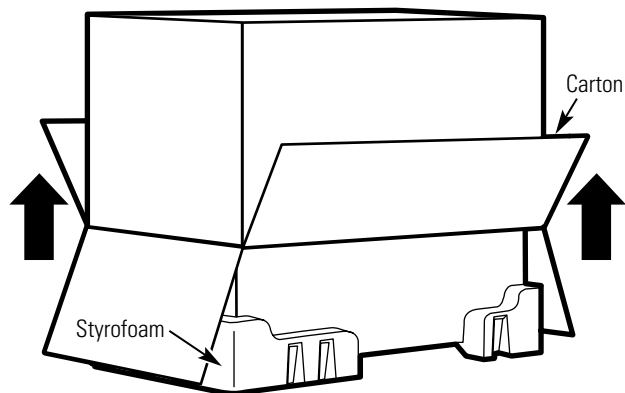
- The space between the cabinets must be 30" wide and free of obstructions.
- If the space between the cabinets is greater than 30", a Filler Panel Kit may be used to fill in the gap between the oven and the cabinets. Your Owner's Manual contains the kit number for your model.
- This oven is for installation over ranges up to 36" wide.
- If you are going to vent your oven to the outside, see Hood Exhaust Section for exhaust duct preparation.
- When installing the oven beneath smooth, flat cabinets, be careful to follow the instructions on the top cabinet template for power cord clearance.

# Installation Instructions

## 1 PLACEMENT OF THE MOUNTING PLATE

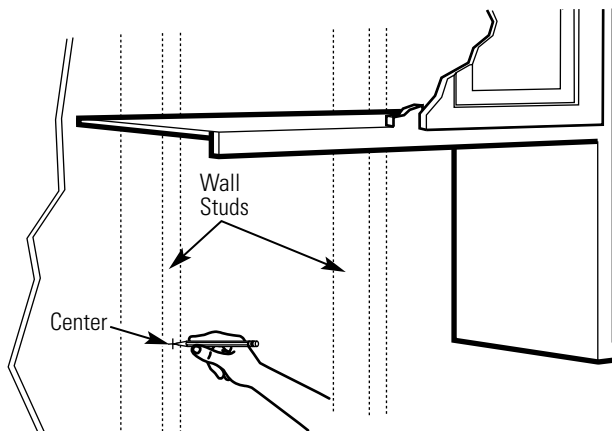
### A REMOVING THE OVEN FROM THE CARTON/REMOVING THE MOUNTING PLATE

- 1 Remove the turntable, installation instructions, filters, exhaust adapter, damper, shelf and the small hardware bag. Do not remove the Styrofoam protecting the front of the oven.
- 2 Fold back all 4 carton flaps fully against carton sides. Then carefully roll the oven and carton over onto the top side. The oven should be resting in the Styrofoam.



- 3 Pull the carton up and off the oven.
- 4 The mounting plate is attached to the back of the oven. Remove the two screws holding it to the oven. The plate will be used as the rear wall template and for mounting the oven to the wall.
- 5 Set the oven upright. Remove and properly discard plastic bags and Styrofoam.
- 6 Open the oven door and remove any packing material, if present, from inside the oven.

### B FINDING THE WALL STUDS



- 1 Find the studs, using one of the following methods:
  - A. Stud finder—a magnetic device which locates nails.

**OR**

  - B. Use a hammer to tap lightly across the mounting surface to find a solid sound. This will indicate a stud location.
- 2 After locating the stud(s), find the center by probing the wall with a small nail to find the edges of the stud. Then place a mark halfway between the edges. The center of any adjacent studs should be 16" or 24" from this mark.
- 3 Draw a line down the center of the studs.

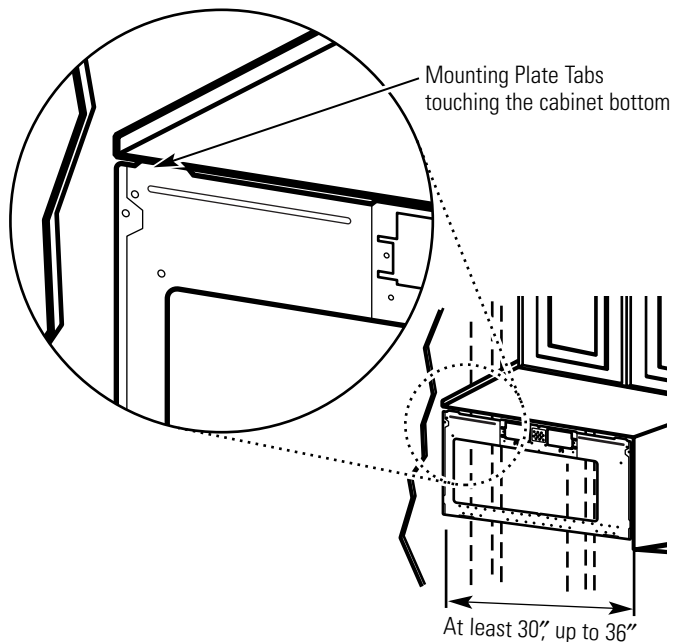
**THE OVEN MUST BE CONNECTED TO AT LEAST ONE WALL STUD.**



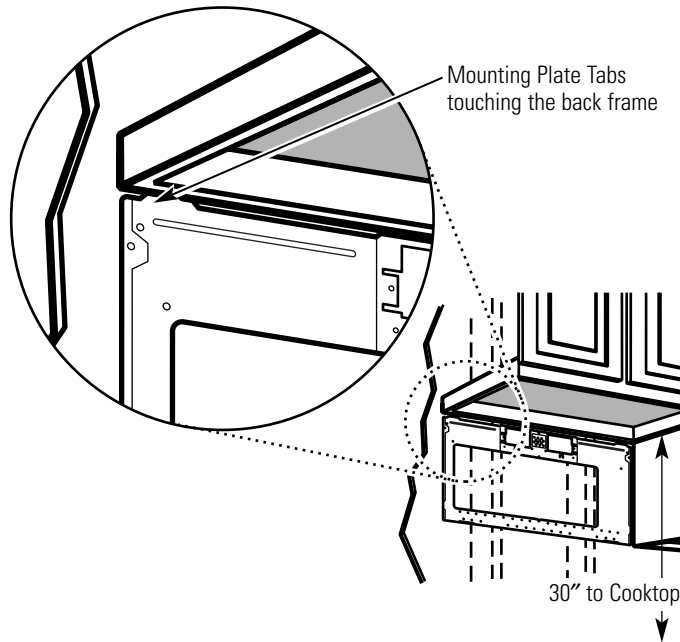
# Installation Instructions

## C DETERMINING WALL PLATE LOCATION UNDER YOUR CABINET

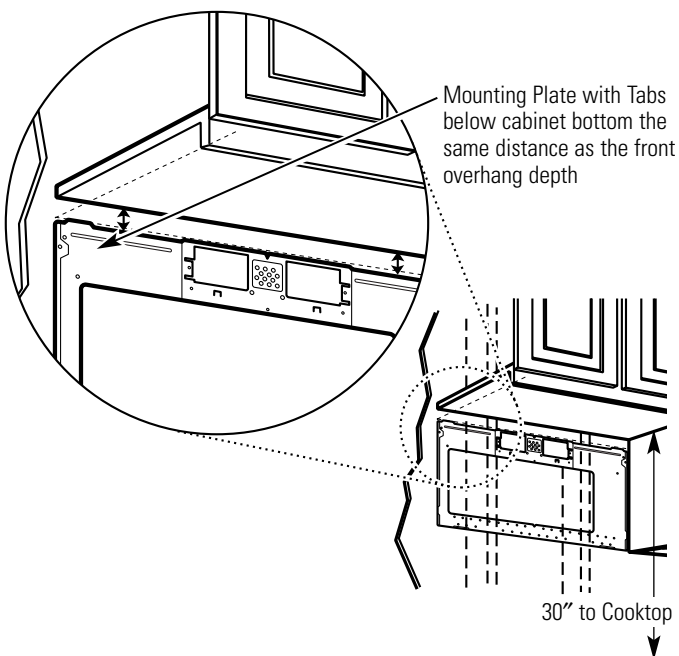
### Plate position—beneath flat bottom cabinet



### Plate position—beneath framed recessed cabinet bottom



### Plate position—beneath recessed bottom cabinet with front overhang



Your cabinets may have decorative trim that interferes with the oven installation. Remove the decorative trim to install the oven properly and to make it level.

#### THE OVEN MUST BE LEVEL.

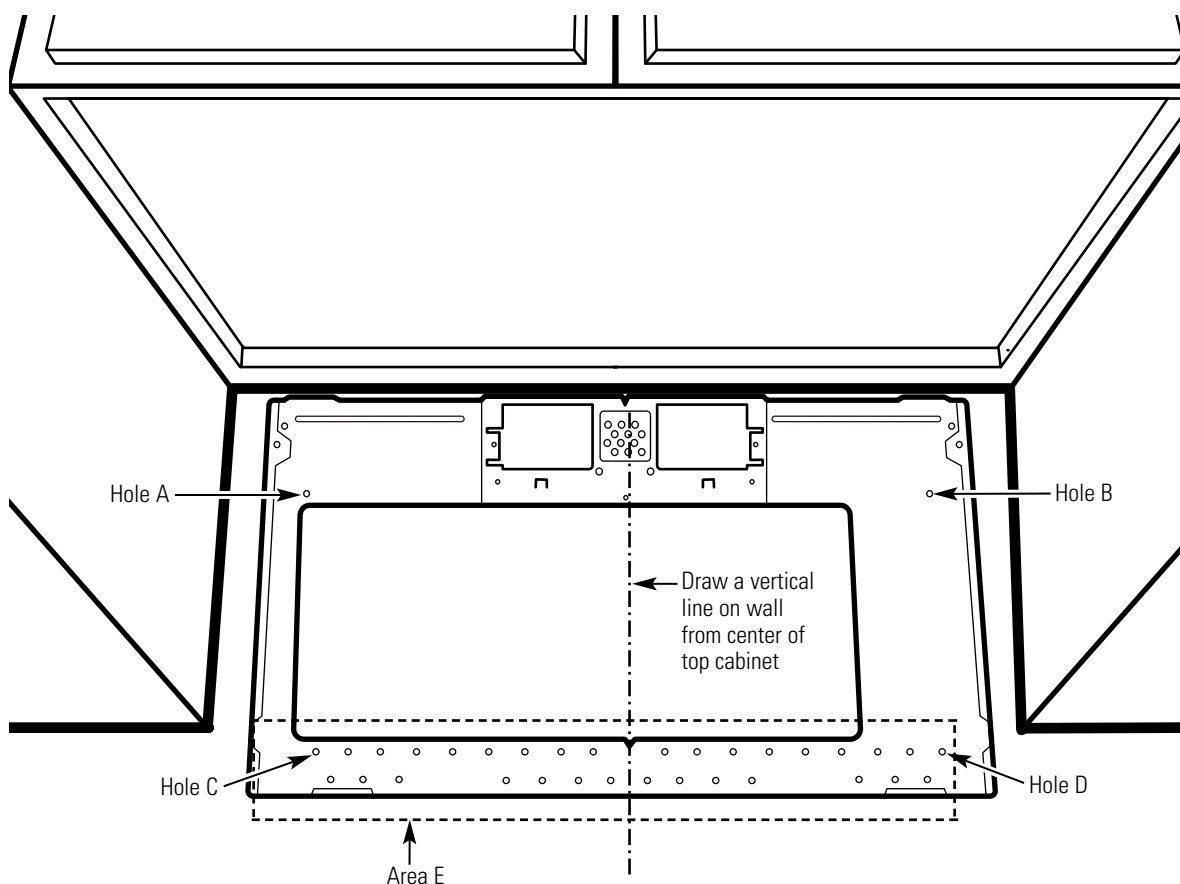
Use a level to make sure the cabinet bottom is level.

If the cabinets have a front overhang only, with no back or side frame, install the mounting plate down the same distance as the front overhang depth. This will keep the oven level.

- 1 Measure the inside depth of the front overhang.
- 2 Draw a horizontal line on the back wall an equal distance below the cabinet bottom as the inside depth of the front overhang.
- 3 For this type of installation with front overhang only, align the mounting tabs with this horizontal line, not touching the cabinet bottom as described in Step D.

# Installation Instructions

## D ALIGNING THE WALL PLATE



**CAUTION:** Wear gloves to avoid cutting fingers on sharp edges.

- 1** Draw a vertical line on the wall at the center of the 30" wide space.
- 2** Use the mounting plate as the template for the rear wall. Place the mounting plate on the wall, making sure that the tabs are touching the bottom of the cabinet or the level line drawn in Step C for cabinets with front overhang. Line up the notch and center line on the mounting plate to the center line on the wall.
- 3** While holding the mounting plate with one hand, draw circles on the wall at holes A, B, C and D (see illustration above/actual plate marked with arrows). Four holes must be used for mounting.

**NOTE:** Holes C and D are inside area E. If neither C nor D is in a stud, find a stud somewhere in area E and draw a fifth circle to line up with the stud. It is important to use at least one wood screw mounted firmly in a stud to support the weight of the oven.

**Set the mounting plate aside.**

- 4** Drill holes on the circles. If there is a stud, drill a  $\frac{3}{16}$ " hole for wood screws. For holes that don't line up with a stud, drill a  $\frac{5}{8}$ " hole for toggle bolts.

**NOTE: DO NOT MOUNT THE PLATE AT THIS TIME.**

# Installation Instructions

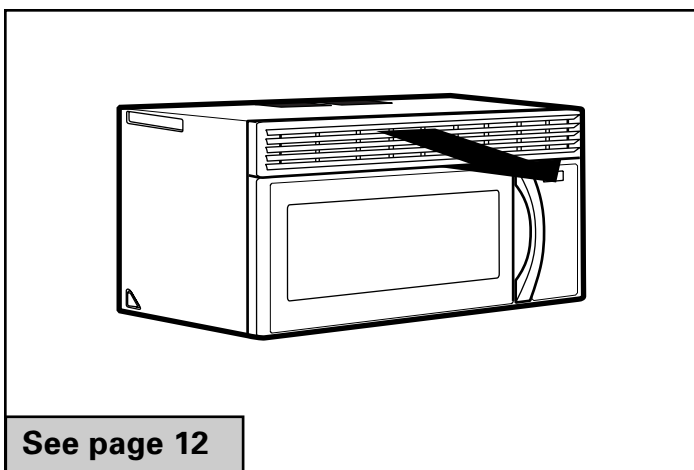
## 2 INSTALLATION TYPES (Choose A, B or C)

This oven is designed for adaptation to the following 3 types of ventilation:

- A. Recirculating (Non-Vented Ductless)
- B. Outside Back Exhaust (Horizontal Duct)
- C. Outside Top Exhaust (Vertical Duct)

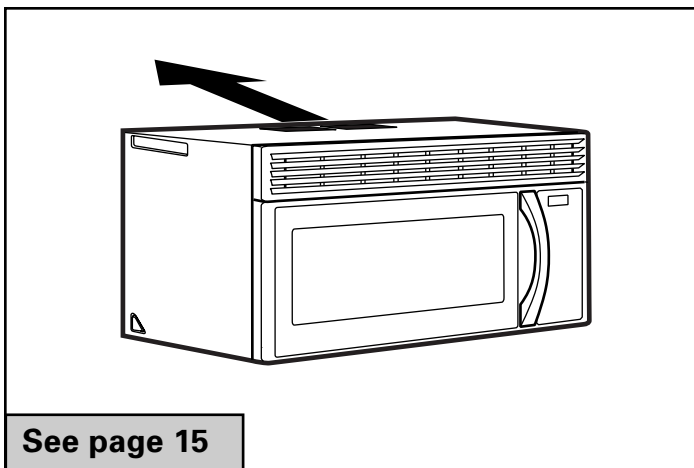
**NOTE:** This oven is shipped assembled for Recirculating Exhaust. Select the type of ventilation required for your installation and proceed to that section.

### A RECIRCULATING (NON-VENTED DUCTLESS)

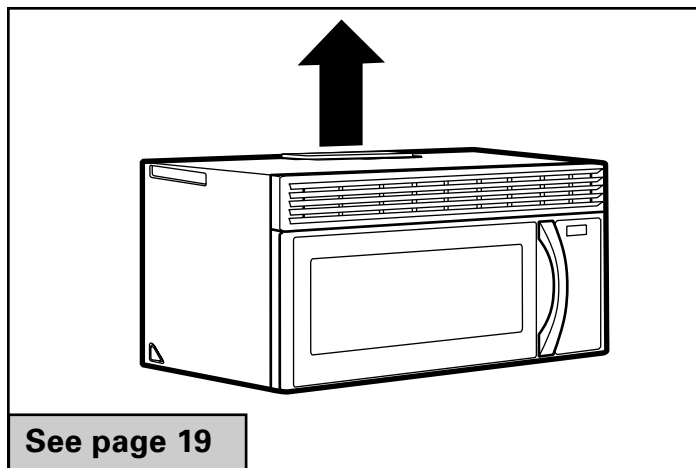


**NOTE:** A disposable Charcoal Filter is installed for the non-vented exhaust to help remove smoke and odors.

### B OUTSIDE BACK EXHAUST (HORIZONTAL DUCT)



### C OUTSIDE TOP EXHAUST (VERTICAL DUCT)



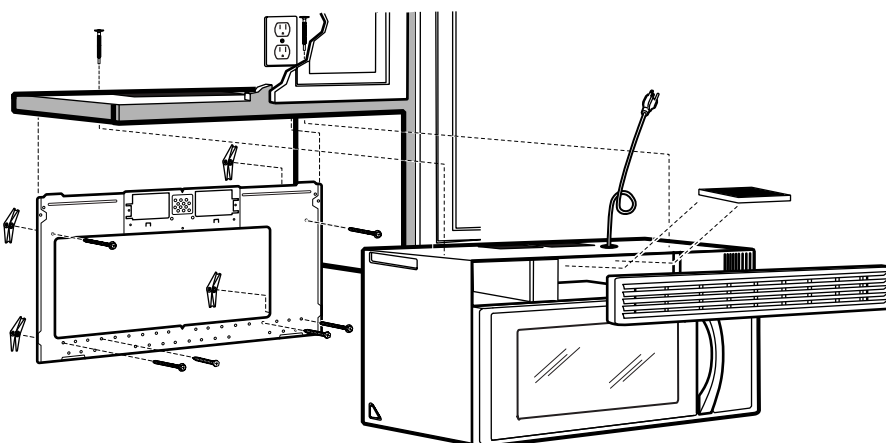
# Installation Instructions

## A RECIRCULATING (Non-Vented Ductless)

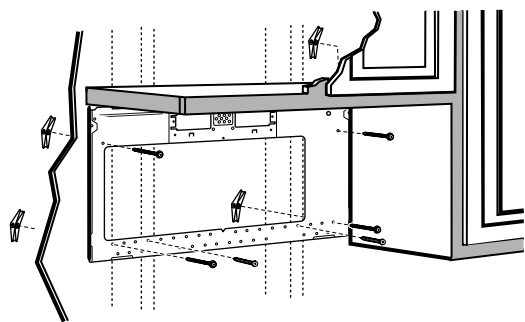
### INSTALLATION OVERVIEW

- A1. Attach Mounting Plate to Wall
- A2. Prepare Top Cabinet
- A3. Mount the Oven
- A4. When Replacing the Charcoal Filter

**NOTE:** The exhaust adapter with damper is not needed for recirculating models. You may want to save them for possible future use.



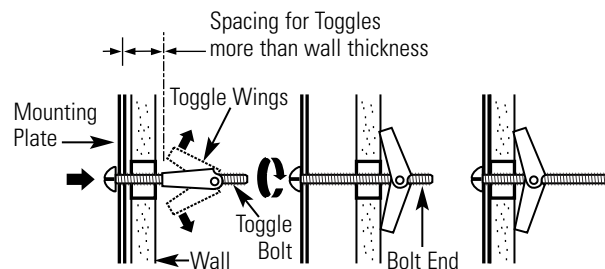
### A1 ATTACH THE MOUNTING PLATE TO THE WALL



Attach the plate to the wall using toggle bolts. At least one wood screw must be used to attach the plate to a wall stud.

- 1 Remove the toggle wings from the bolts.
- 2 Insert the bolts into the mounting plate through the holes designated to go into drywall and reattach the toggle wings to  $\frac{3}{4}$ " onto each bolt.

### To use toggle bolts:



- 3 Place the mounting plate against the wall and insert the toggle wings into the holes in the wall to mount the plate.

**NOTE:** Before tightening toggle bolts and wood screw, make sure the tabs on the mounting plate touch the bottom of the cabinet when pushed flush against the wall and that the plate is properly centered under the cabinet.

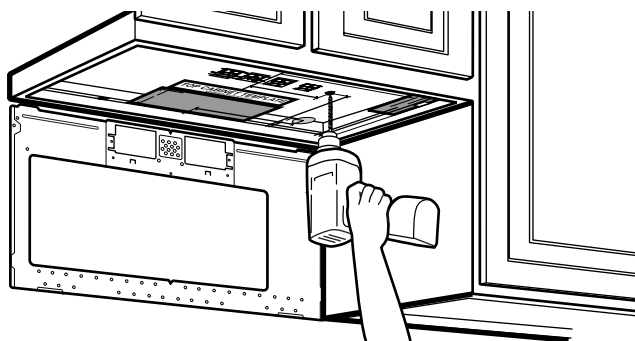
**CAUTION:** Be careful to avoid pinching fingers between the back of the mounting plate and the wall.

- 4 Tighten all bolts. Pull the plate away from the wall to help tighten the bolts.

# Installation Instructions

## A2 USE TOP CABINET TEMPLATE FOR PREPARATION OF TOP CABINET

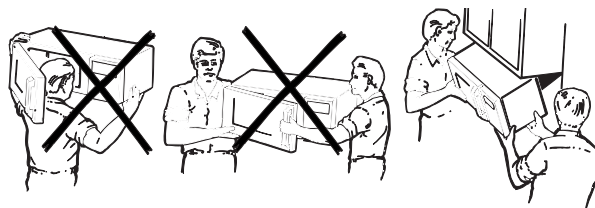
You need to drill holes for the top support screws, and a hole large enough for the power cord to fit through.



- Read the instructions on the TOP CABINET TEMPLATE.
- Tape it underneath the top cabinet.
- Drill the holes, following the instructions on the TOP CABINET TEMPLATE.

**CAUTION:** Wear safety goggles when drilling holes in the cabinet bottom.

## A3 MOUNT THE OVEN



FOR EASIER INSTALLATION AND PERSONAL SAFETY, WE RECOMMEND THAT TWO PEOPLE INSTALL THIS OVEN.

**IMPORTANT:** Do not grip or use handle during installation.

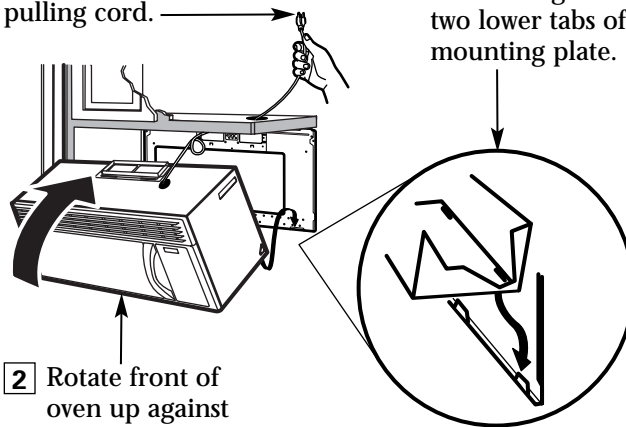
**NOTE:** If your cabinet is metal, use the nylon grommet around the power cord hole to prevent cutting of the cord.

**NOTE:** We recommend using filler blocks if the cabinet front hangs below the cabinet bottom shelf.

**IMPORTANT:** If filler blocks are not used, case damage may occur from over tightening screws.

**NOTE:** When mounting the oven, thread power cord through hole in bottom of top cabinet. Keep it tight throughout Steps 1-3. Do not pinch cord or lift oven by pulling cord.

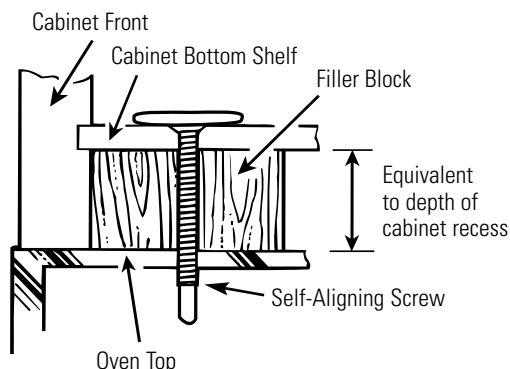
- 1 Lift oven, tilt it forward and hook slots at back bottom edge onto two lower tabs of mounting plate.



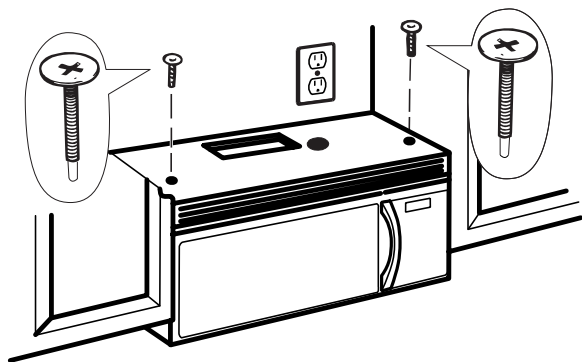
- 2 Rotate front of oven up against cabinet bottom.

# Installation Instructions

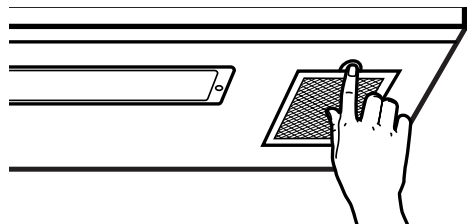
## A3 MOUNT THE OVEN (cont.)



- 3 Attach the oven to the top cabinet by inserting 2 self-aligning screws through outer top cabinet holes. Turn two full turns on each screw. **Be sure to keep power cord tight. Be careful not to pinch the cord, especially when mounting flush to bottom of cabinet.**



- 4 Tighten the two screws to the top of the oven completely. (While tightening screws, hold the oven in place against the wall and the top cabinet.)



- 5 Install grease filters. See the Owner's Manual packed with the oven.

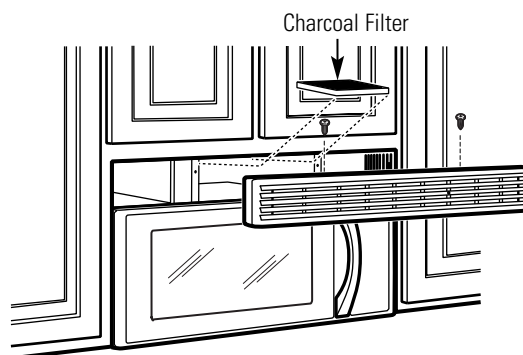
## A4 WHEN REPLACING THE CHARCOAL FILTER

If the model is not vented to the outside, the air will be recirculated through a disposable charcoal filter that helps remove smoke and odors.

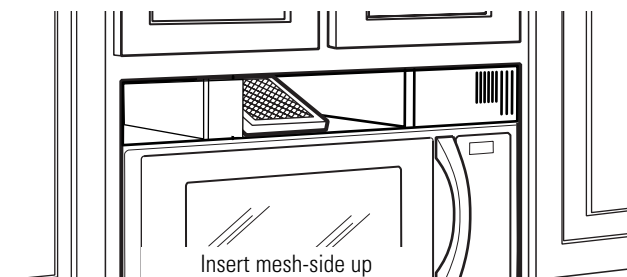
The charcoal filter should be replaced when it is noticeably dirty or discolored (usually after 6 to 12 months, depending on hood usage). See your Owner's Manual for the filter kit number.

### To replace the charcoal filter:

- 1 Remove 2 screws on top of grille using a Phillips screwdriver.
- 2 Open the door.
- 3 Remove the grille.



- 4 Slide the old filter to the front of the oven and remove it.
- 5 Remove plastic and other outer wrapping from the new filter and install the new filter. When properly installed, the wire mesh of the filter should be visible from the front.
- 6 Replace the grille and the 2 screws.
- 7 Close the door.

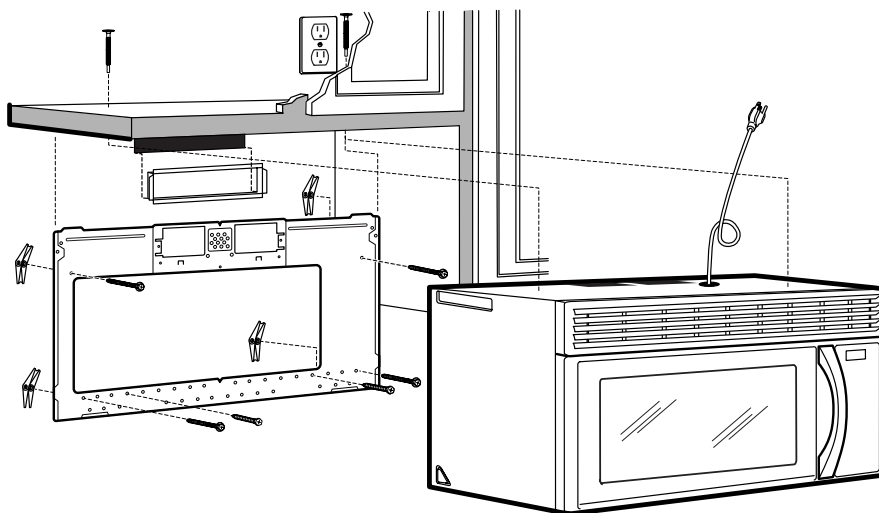


# Installation Instructions

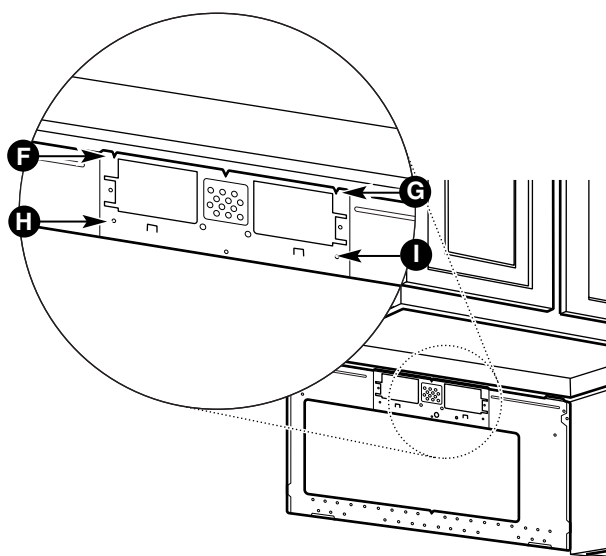
## B OUTSIDE BACK EXHAUST (Horizontal Duct)

### INSTALLATION OVERVIEW

- B1. Prepare Rear Wall
- B2. Attach Mounting Plate to Wall
- B3. Prepare Top Cabinet
- B4. Adjust Blower
- B5. Mount the Oven



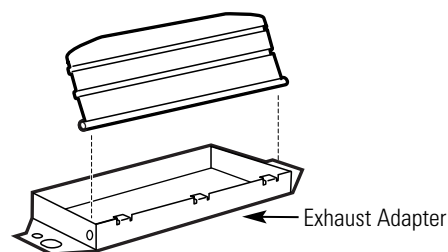
### B1 PREPARING THE REAR WALL FOR OUTSIDE BACK EXHAUST



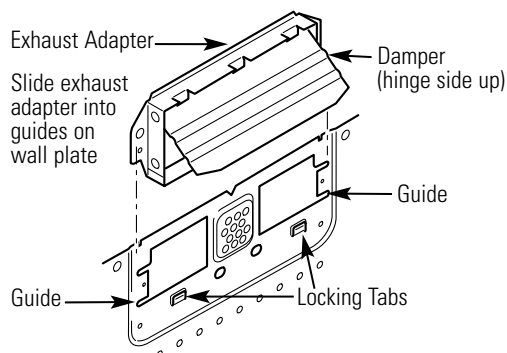
- 1 Place the mounting plate against the rear wall and align it with the holes drilled earlier.
- 2 Using a pencil, put dots through holes/notches F, G, H and I (see above illustration). Remove the mounting plate and draw lines extending through the points. This will give the location and size of the box cutout for the rear wall duct.
- 3 Use a saw (saber or keyhole) to cut out the opening.

### B2 ATTACH THE EXHAUST ADAPTER TO THE WALL PLATE

- 1 Insert the tabs on each side of the damper into the holes at the inside rear of the adapter.



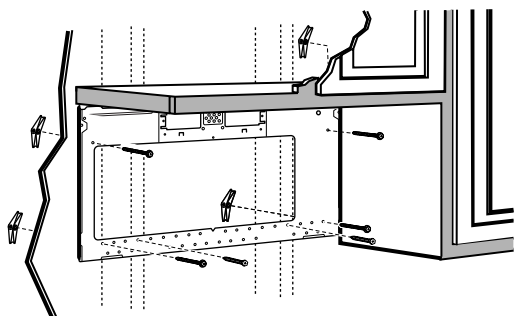
- 2 Attach the exhaust adapter to the back of the wall plate by sliding it into the guides at the top center of the back of the plate.



Push in securely until it is in the lower locking tabs. Take care to assure the damper hinge is installed so that it is at the top and that the damper swings freely.

# Installation Instructions

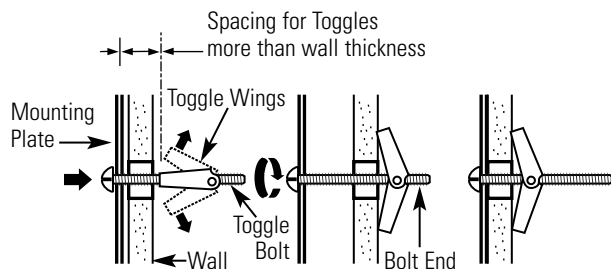
## B3 ATTACH THE MOUNTING PLATE TO THE WALL



Attach the plate to the wall using toggle bolts. At least one wood screw must be used to attach the plate to a wall stud.

- 1 Remove the toggle wings from the bolts.
- 2 Insert the bolts into the mounting plate through the holes designated to go into drywall and reattach the toggle wings to  $\frac{3}{4}$ " onto each bolt.

### To use toggle bolts:



- 3 Place the mounting plate against the wall and insert the toggle wings into the holes in the wall to mount the plate.

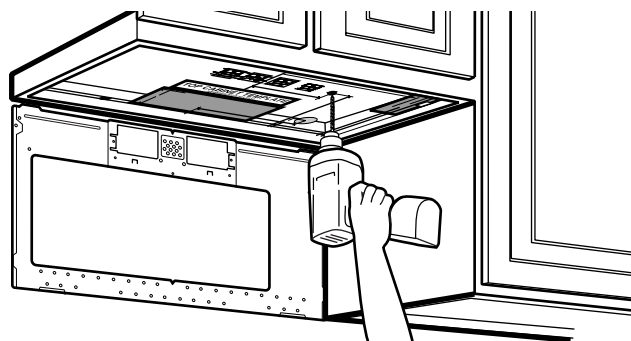
**NOTE:** Before tightening toggle bolts and wood screw, make sure the tabs on the mounting plate touch the bottom of the cabinet when pushed flush against the wall and that the plate is properly centered under the cabinet.

**CAUTION:** Be careful to avoid pinching fingers between the back of the mounting plate and the wall.

- 4 Tighten all bolts. Pull the plate away from the wall to help tighten the bolts.

## B4 USE TOP CABINET TEMPLATE FOR PREPARATION OF TOP CABINET

You need to drill holes for the top support screws, and a hole large enough for the power cord to fit through.



- Read the instructions on the TOP CABINET TEMPLATE.
- Tape it underneath the top cabinet.
- Drill the holes, following the instructions on the TOP CABINET TEMPLATE.

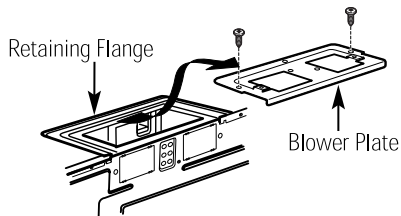
**CAUTION:** Wear safety goggles when drilling holes in the cabinet bottom.



# Installation Instructions

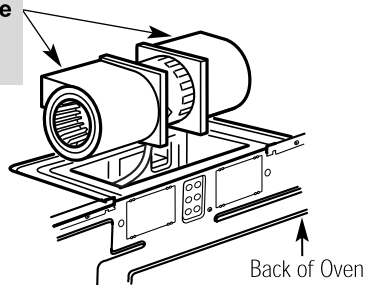
## B5 ADAPTING BLOWER FOR OUTSIDE BACK EXHAUST

- 1 Remove the two screws that hold the blower plate and blower motor to the oven. Slide blower plate from under its retaining flange.

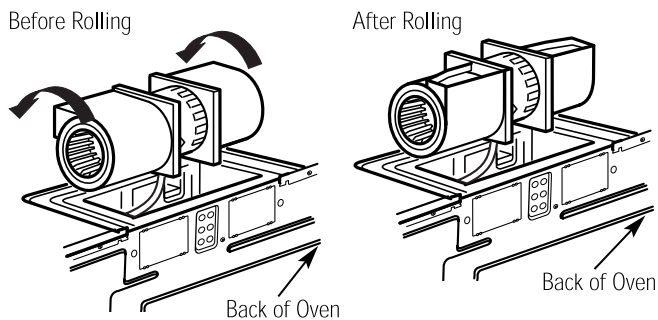


- 2 Carefully pull out the blower unit. The wires will extend far enough to allow you to adjust the blower unit.

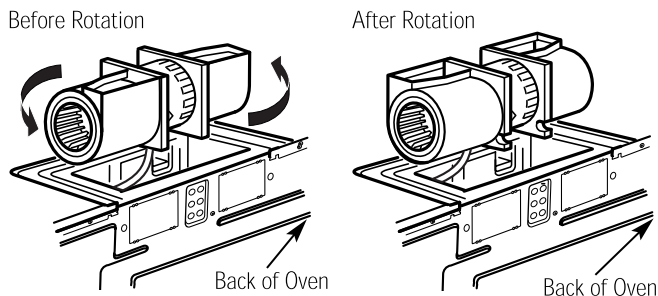
**BEFORE: Fan Blade Openings Facing Forward**



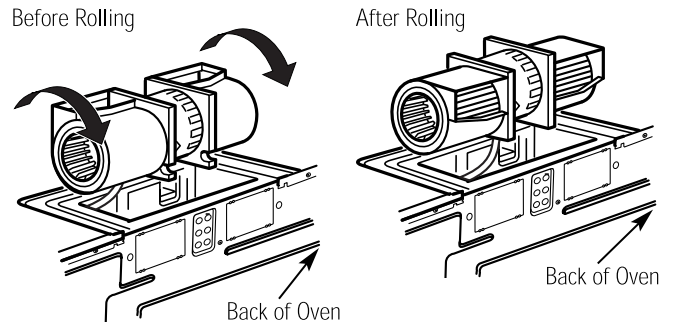
- 3 Roll blower unit **forward** 270° so that the fan blade openings are facing up.



- 4 Rotate blower unit counterclockwise 180°.



- 5 Roll the blower unit 90° so that fan blade openings are facing out the back of the oven.

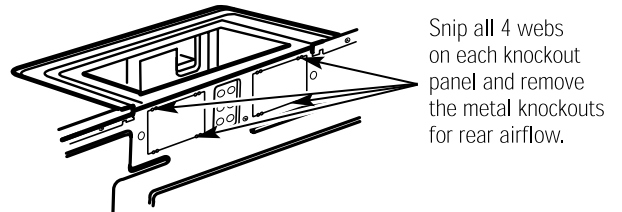


- 6 Locate the two “knockout” plates, on the rear oven panel, near the top of the oven.

Using tin snips, carefully cut the web area from the two holes side-by-side (that secure the knockouts to the oven). Cut all four webs on both rear knockouts; this will allow the ventilation fan airflow to exhaust out the rear of the oven.

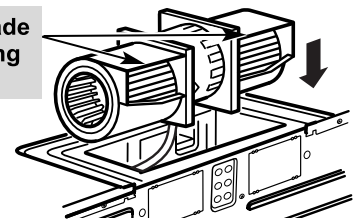
**CAUTION: Be sure to trim the sharp edges from the openings after removing the knockout plates.**

### Oven Rear Panel



- 7 Place the blower unit back into the opening.

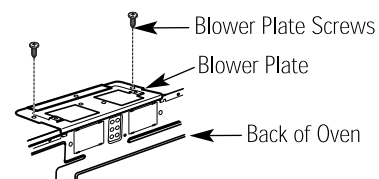
**AFTER: Fan Blade Openings Facing Back**



**CAUTION: Do not pull or stretch the blower unit wiring. Make sure the wires are not pinched.**

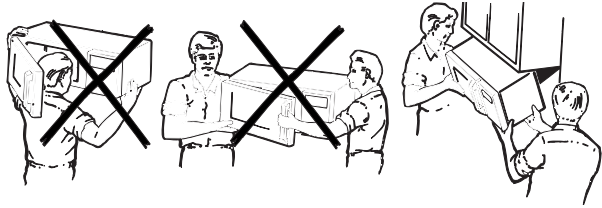
**NOTE: The blower unit exhaust openings should match exhaust openings on rear of oven.**

- 8 Replace the blower plate in the same position as before with the screws.



# Installation Instructions

## B6 MOUNT THE OVEN



FOR EASIER INSTALLATION AND PERSONAL SAFETY, WE RECOMMEND THAT TWO PEOPLE INSTALL THIS OVEN.

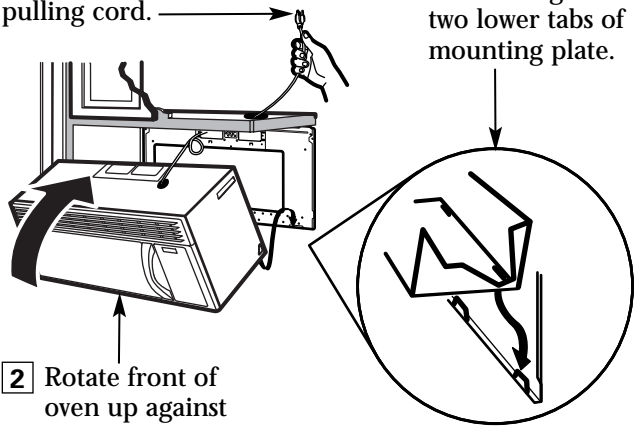
**IMPORTANT:** Do not grip or use handle during installation.

**NOTE:** If your cabinet is metal, use the nylon grommet around the power cord hole to prevent cutting of the cord.

**NOTE:** We recommend using filler blocks if the cabinet front hangs below the cabinet bottom shelf.

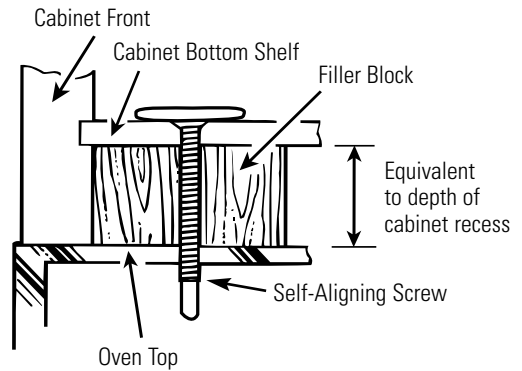
**IMPORTANT:** If filler blocks are not used, case damage may occur from over tightening screws.

**NOTE:** When mounting the oven, thread power cord through hole in bottom of top cabinet. Keep it tight throughout Steps 1–3. Do not pinch cord or lift oven by pulling cord.

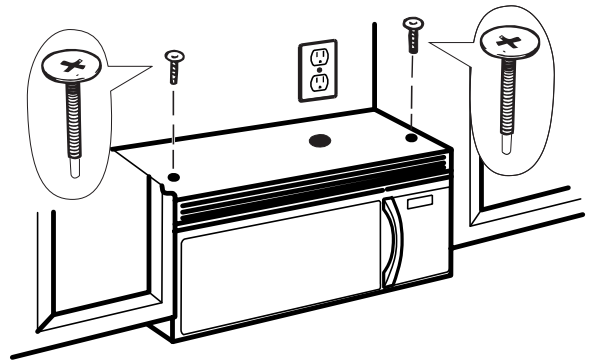


**1** Lift oven, tilt it forward and hook slots at back bottom edge onto two lower tabs of mounting plate.

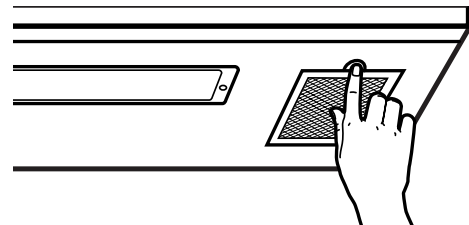
**2** Rotate front of oven up against cabinet bottom.



**3** Attach the oven to the top cabinet by inserting 2 self-aligning screws through outer top cabinet holes. Turn two full turns on each screw. **Be sure to keep power cord tight. Be careful not to pinch the cord, especially when mounting flush to bottom of cabinet.**



**4** Tighten the two screws to the top of the oven completely. (While tightening screws, hold the oven in place against the wall and the top cabinet.)



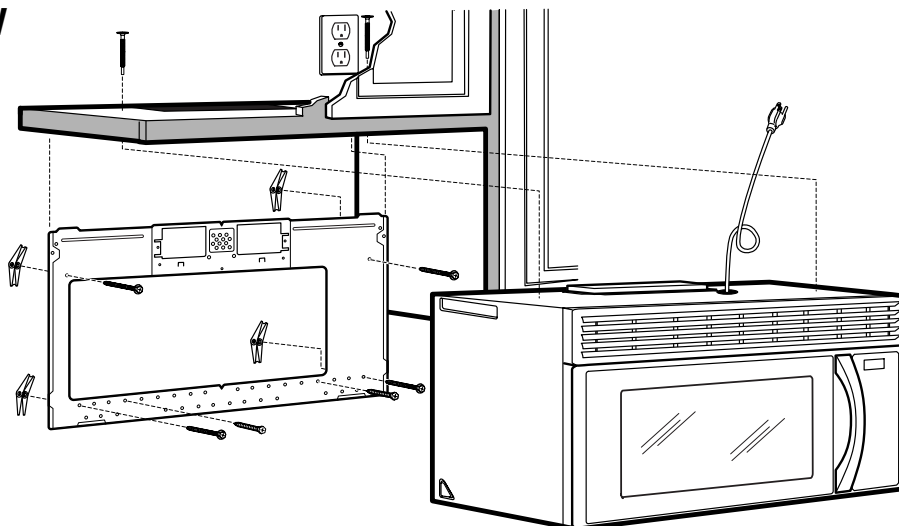
**5** Install grease filters. See the Owner's Manual packed with the oven.

# Installation Instructions

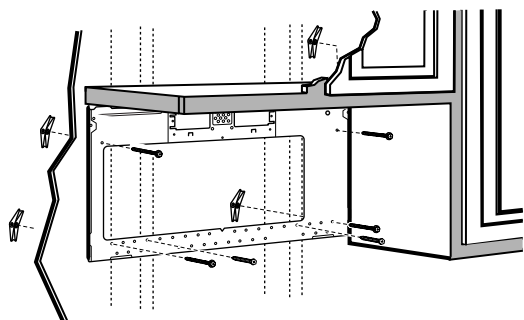
## C OUTSIDE TOP EXHAUST (Vertical Duct)

### INSTALLATION OVERVIEW

- C1. Attach Mounting Plate to Wall
- C2. Prepare Top Cabinet
- C3. Adjust Blower
- C4. Install Adapter
- C5. Mount the Oven
- C6. Adjust Exhaust Adapter
- C7. Connect Ductwork



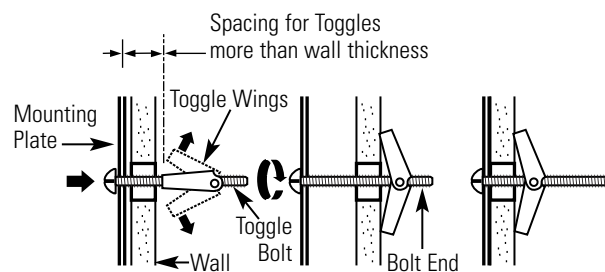
### C1 ATTACH THE MOUNTING PLATE TO THE WALL



Attach the plate to the wall using toggle bolts. At least one wood screw must be used to attach the plate to a wall stud.

- 1 Remove the toggle wings from the bolts.
- 2 Insert the bolts into the mounting plate through the holes designated to go into drywall and reattach the toggle wings to  $\frac{3}{4}$ " onto each bolt.

### To use toggle bolts:



- 3 Place the mounting plate against the wall and insert the toggle wings into the holes in the wall to mount the plate.

**NOTE:** Before tightening toggle bolts and wood screw, make sure the tabs on the mounting plate touch the bottom of the cabinet when pushed flush against the wall and that the plate is properly centered under the cabinet.

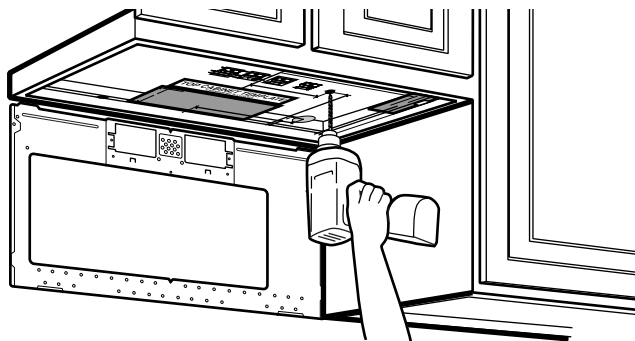
**CAUTION:** Be careful to avoid pinching fingers between the back of the mounting plate and the wall.

- 4 Tighten all bolts. Pull the plate away from the wall to help tighten the bolts.

# Installation Instructions

## C2 USE TOP CABINET TEMPLATE FOR PREPARATION OF TOP CABINET

You need to drill holes for the top support screws, a hole large enough for the power cord to fit through and a cutout large enough for the exhaust adapter.

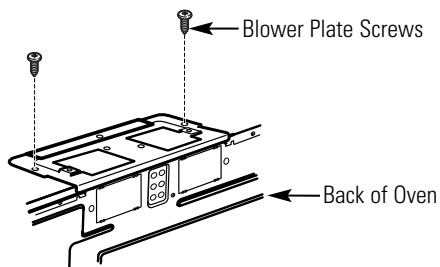


- Read the instructions on the TOP CABINET TEMPLATE.
- Tape it underneath the top cabinet.
- Drill the holes, following the instructions on the TOP CABINET TEMPLATE.

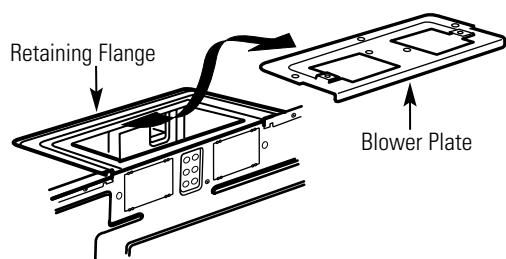
**CAUTION:** Wear safety goggles when drilling holes in the cabinet bottom.

## C3 ADAPTING BLOWER FOR TOP EXHAUST

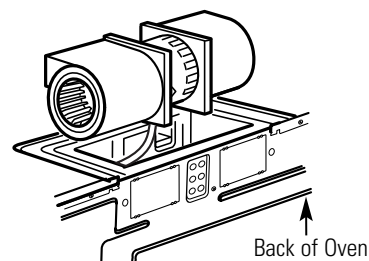
- 1 Remove and save screws that hold blower plate and blower unit to the oven.



- 2 Slide the blower plate from under its retaining flange and lift it off.

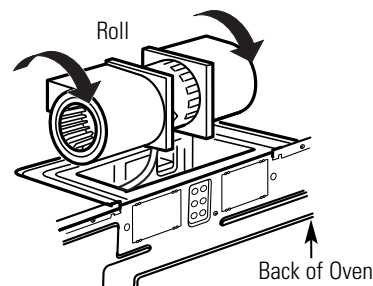
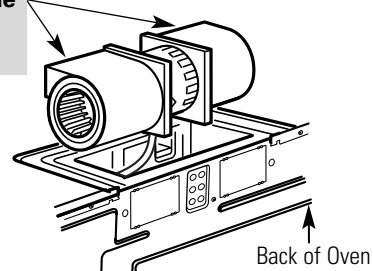


- 3 Carefully pull out the blower unit. The wires will extend far enough to allow you to adjust the blower unit.

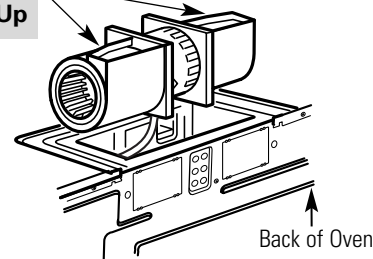


- 4 Roll the blower unit 90° so that fan blade openings are facing up.

**BEFORE:** Fan Blade Openings Facing Forward



**AFTER:** Fan Blade Openings Facing Up

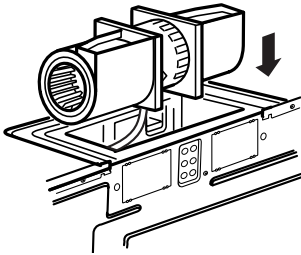


# Installation Instructions

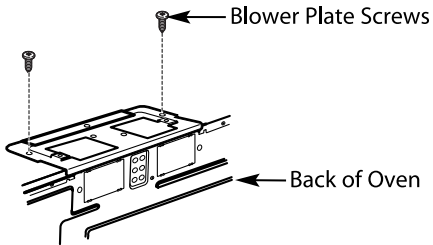
## C3 ADAPTING BLOWER FOR TOP EXHAUST (cont.)

- 5 Place the blower unit back into the opening.

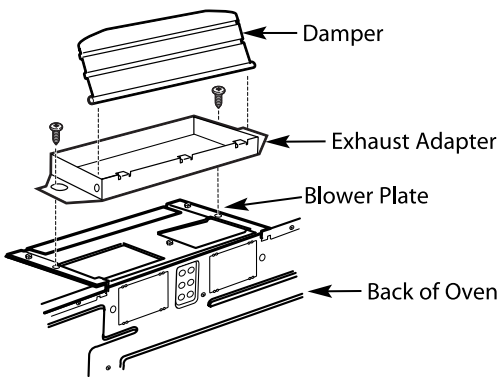
**CAUTION: Do not pull or stretch the blower unit wiring. Make sure the wires are not pinched.**



- 6 Replace blower plate with the screws removed in Step 1.



## C4 ASSEMBLE AND INST ALL ADAPTER

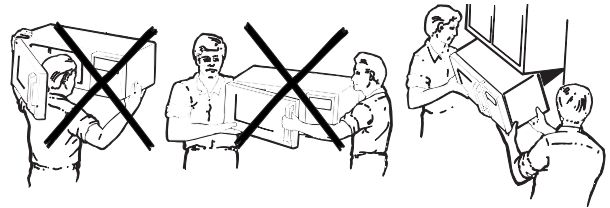


- 1 Place the oven in its upright position, with the top of the unit facing up.
- 2 Insert the tabs on each side of the damper into the holes at the inside rear of the adapter.
- 3 Attach the exhaust adapter to the blower plate with the two bronze metal screws provided.

**Make sure that the damper pivots easily before mounting oven.**

You will need to make adjustments to assure proper alignment with your house exhaust duct after the oven is installed.

## C5 MOUNT THE OVEN



FOR EASIER INSTALLATION AND PERSONAL SAFETY, WE RECOMMEND THAT **TWO PEOPLE** INSTALL THIS OVEN.

**IMPORTANT: Do not grip or use handle during installation.**

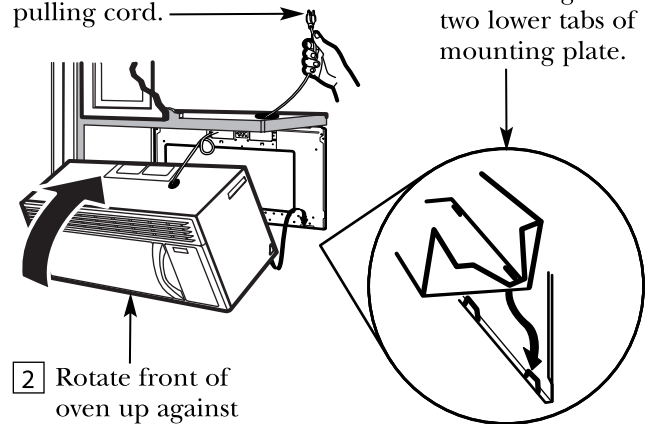
**NOTE:** If your cabinet is metal, use the nylon grommet around the power cord hole to prevent cutting of the cord.

**NOTE:** We recommend using filler blocks if the cabinet front hangs below the cabinet bottom shelf.

**IMPORTANT: If filler blocks are not used, case damage may occur from over tightening screws.**

**NOTE:** When mounting the oven, thread power cord through hole in bottom of top cabinet. Keep it tight throughout Steps 1–3. Do not pinch cord or lift oven by pulling cord.

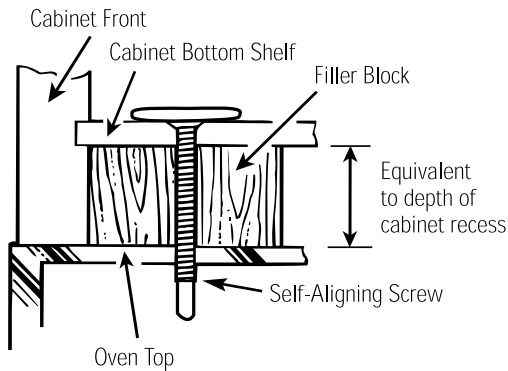
- 1 Lift oven, tilt it forward and hook slots at back bottom edge onto two lower tabs of mounting plate.



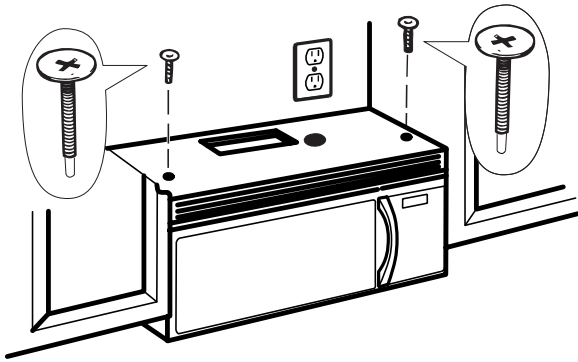
- 2 Rotate front of oven up against cabinet bottom.

# Installation Instructions

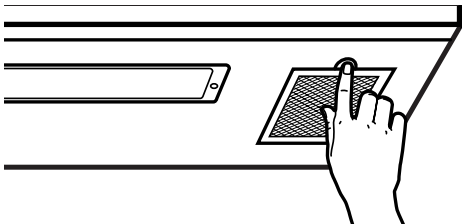
## C5 MOUNT THE OVEN (cont.)



- 3 Attach the oven to the top cabinet by inserting 2 self-aligning screws through outer top cabinet holes. Turn two full turns on each screw. **Be sure to keep power cord tight. Be careful not to pinch the cord, especially when mounting flush to bottom of cabinet.**



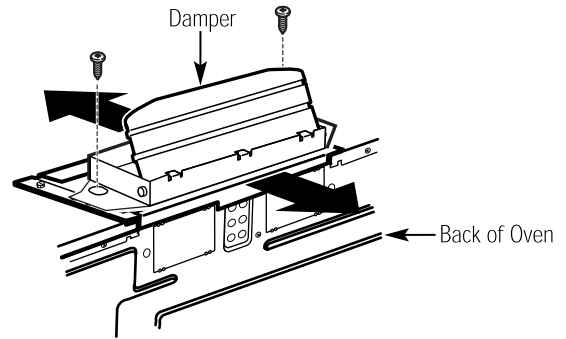
- 4 Tighten the two screws to the top of the oven completely. (While tightening screws, hold the oven in place against the wall and the top cabinet.)



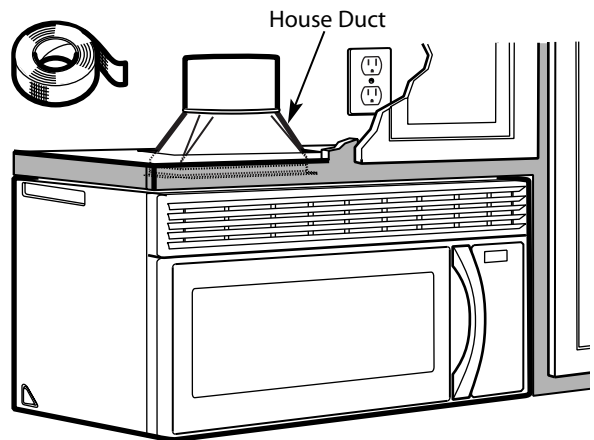
- 5 Install grease filters. See the Owner's Manual packed with the oven.

## C6 ADJUST THE EXHAUST ADAPTER

Open the top cabinet and adjust the exhaust adapter to connect to the house duct.



## C7 CONNECTING DUCTWORK



- 1 Extend the house duct down to connect to the exhaust adapter.
- 2 Seal exhaust duct joints using duct tape.

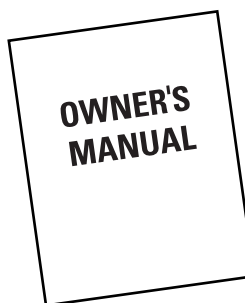
# Installation Instructions

## BEFORE YOU USE YOUR OVEN

- 1 Make sure the oven has been installed according to instructions.



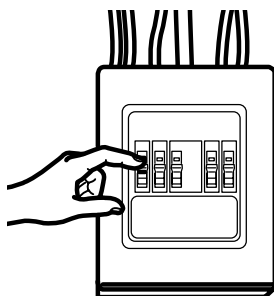
- 6 Read the Owner's Manual.



- 2 Remove all packing material from the oven.

- 3 Install turntable and wheeled ring in cavity.

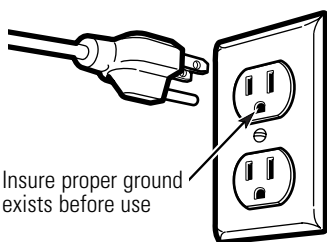
- 4 Replace house fuse or turn breaker back on.



- 7 KEEP INSTALLATION INSTRUCTIONS FOR THE LOCAL INSPECTOR'S USE.



- 5 Plug power cord into a dedicated 15 to 20 amp electrical outlet.



Insure proper ground exists before use

164D3370P221
49-40266

3828W5U0316  
04-02 JR

Printed in China