

This Owner's Manual is provided and hosted by [Appliance Factory Parts](#).



# GE JVM1630CJ Owner's Manual

[Shop genuine replacement parts for GE JVM1630CJ](#)



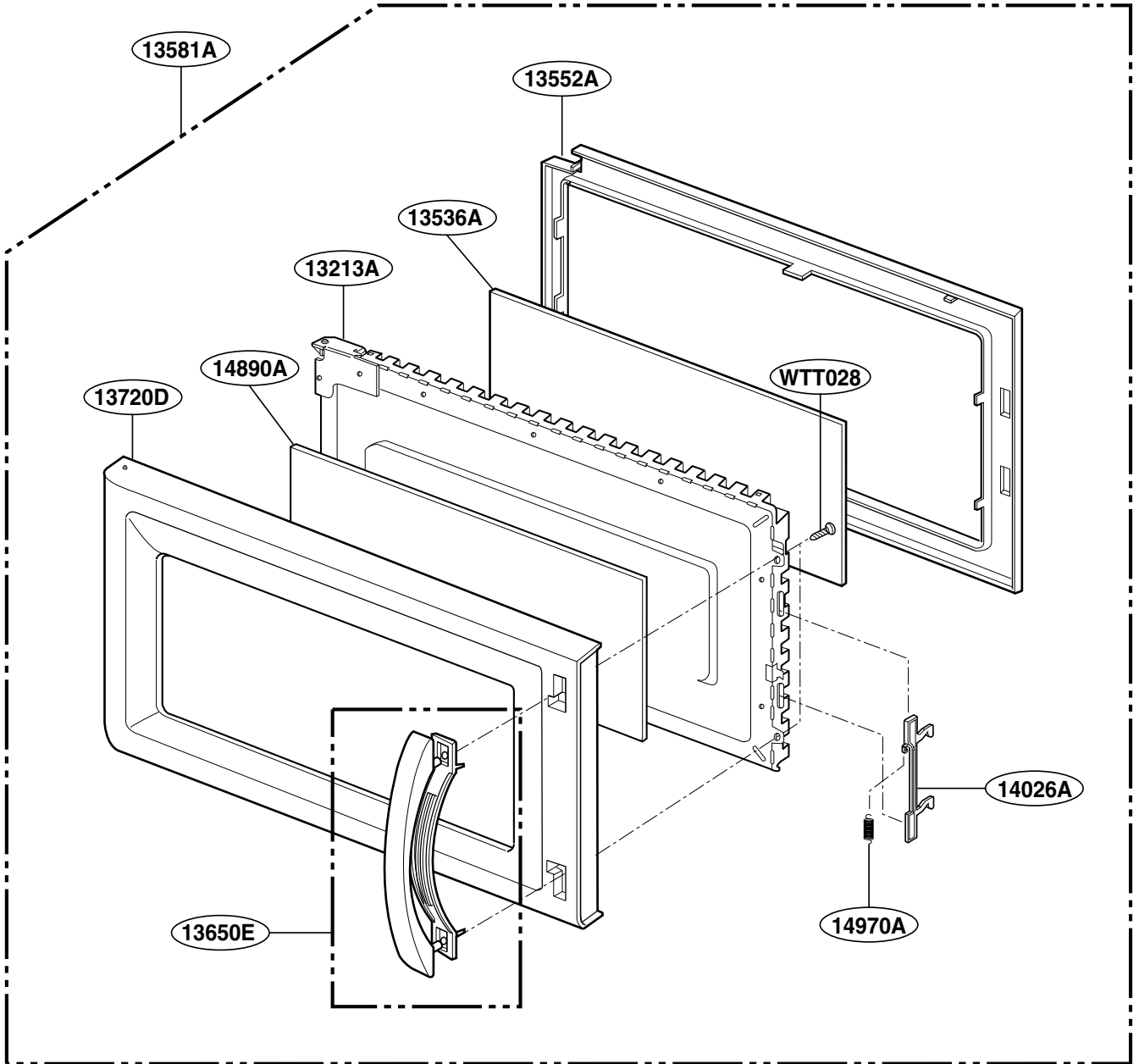
[Find Your GE Microwave Parts - Select From 3055 Models](#)

----- Manual continues below -----

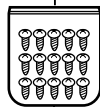
# EXPLODED VIEW

JVM1630

## DOOR PARTS



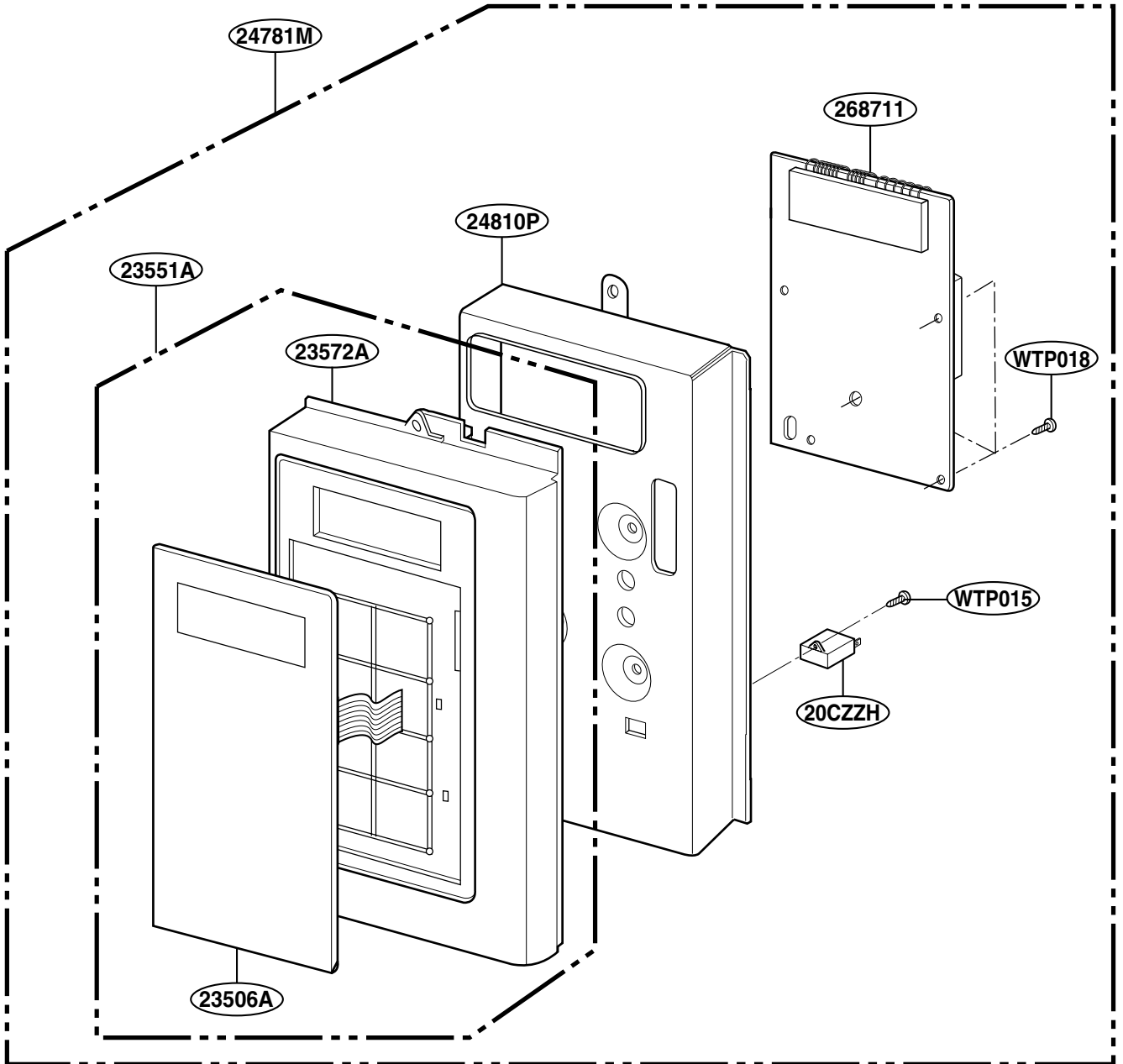
9383EA



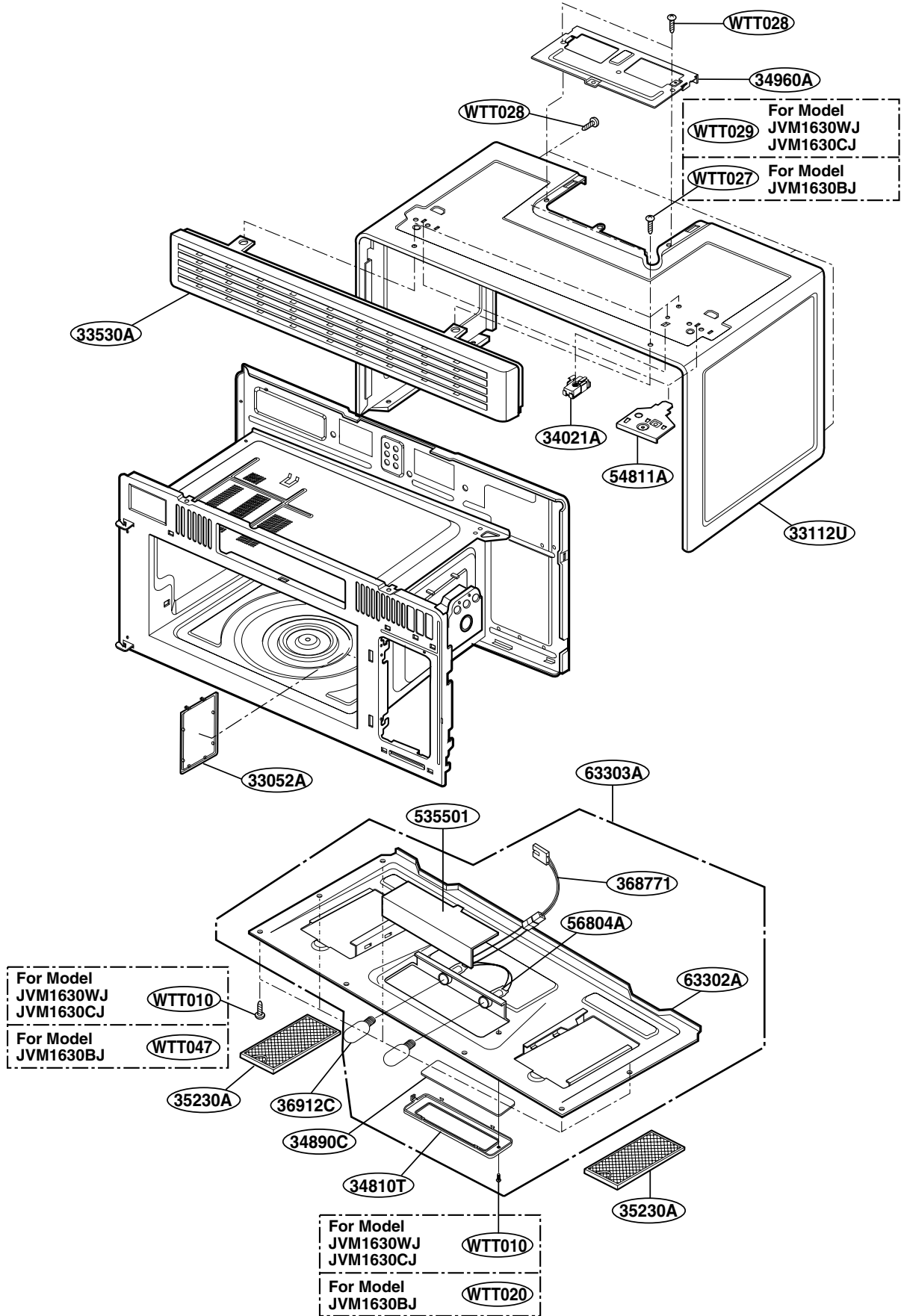
HARDWARE BAG

P/No: 3828W5S5157

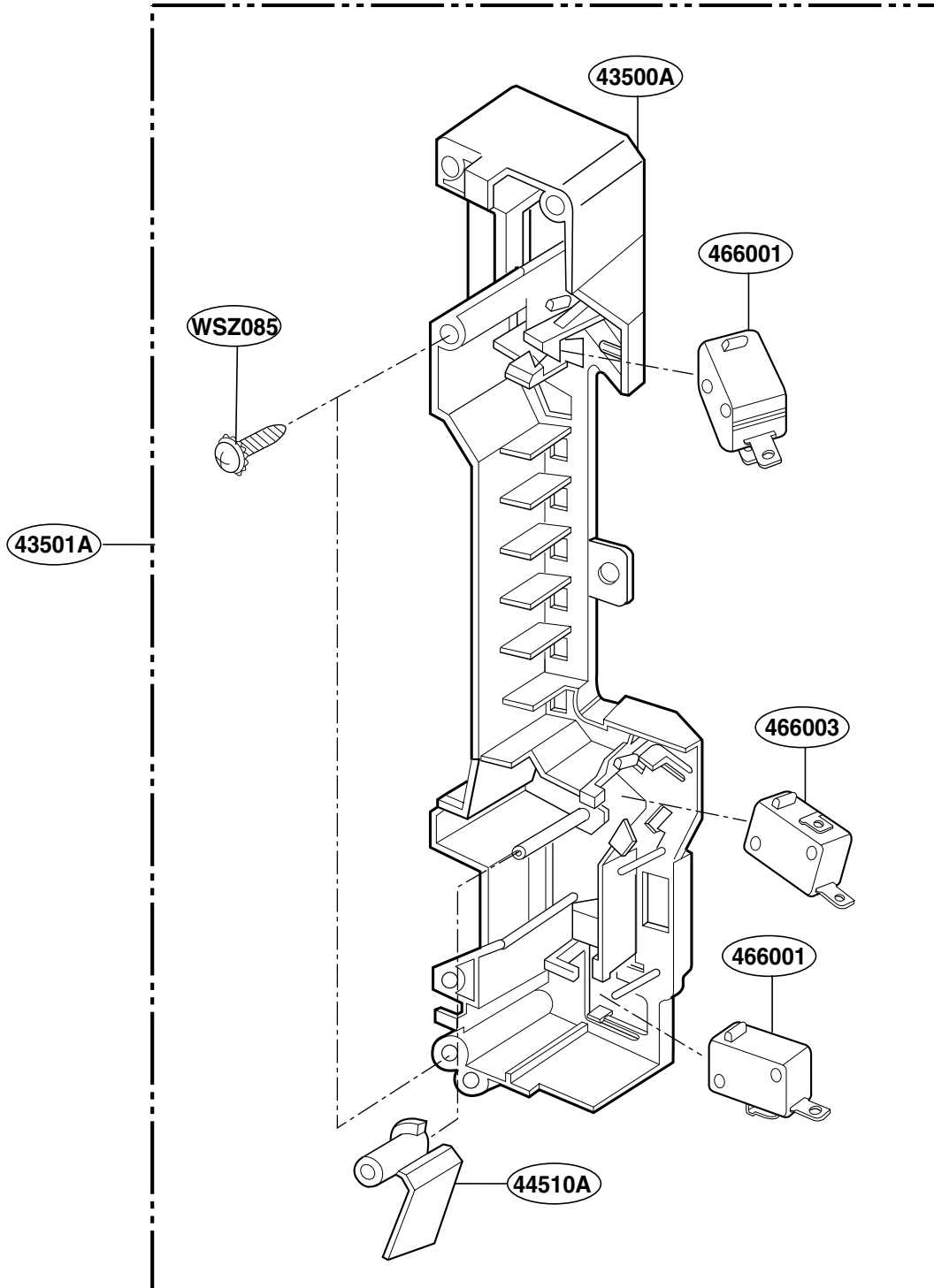
# CONTROLLER PARTS



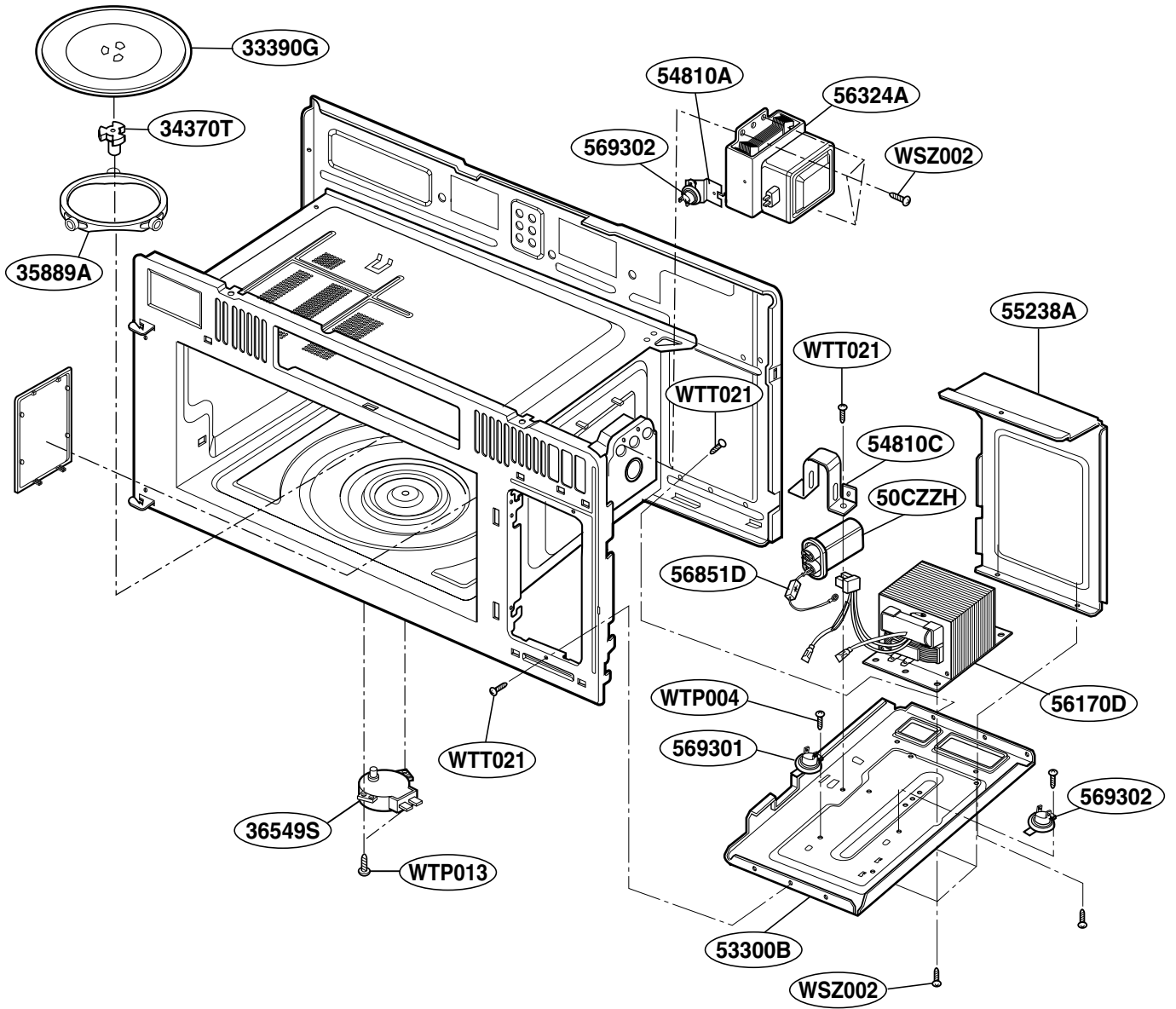
# OVEN CAVITY PARTS



# LATCH BOARD PARTS



# INTERIOR PARTS (I)

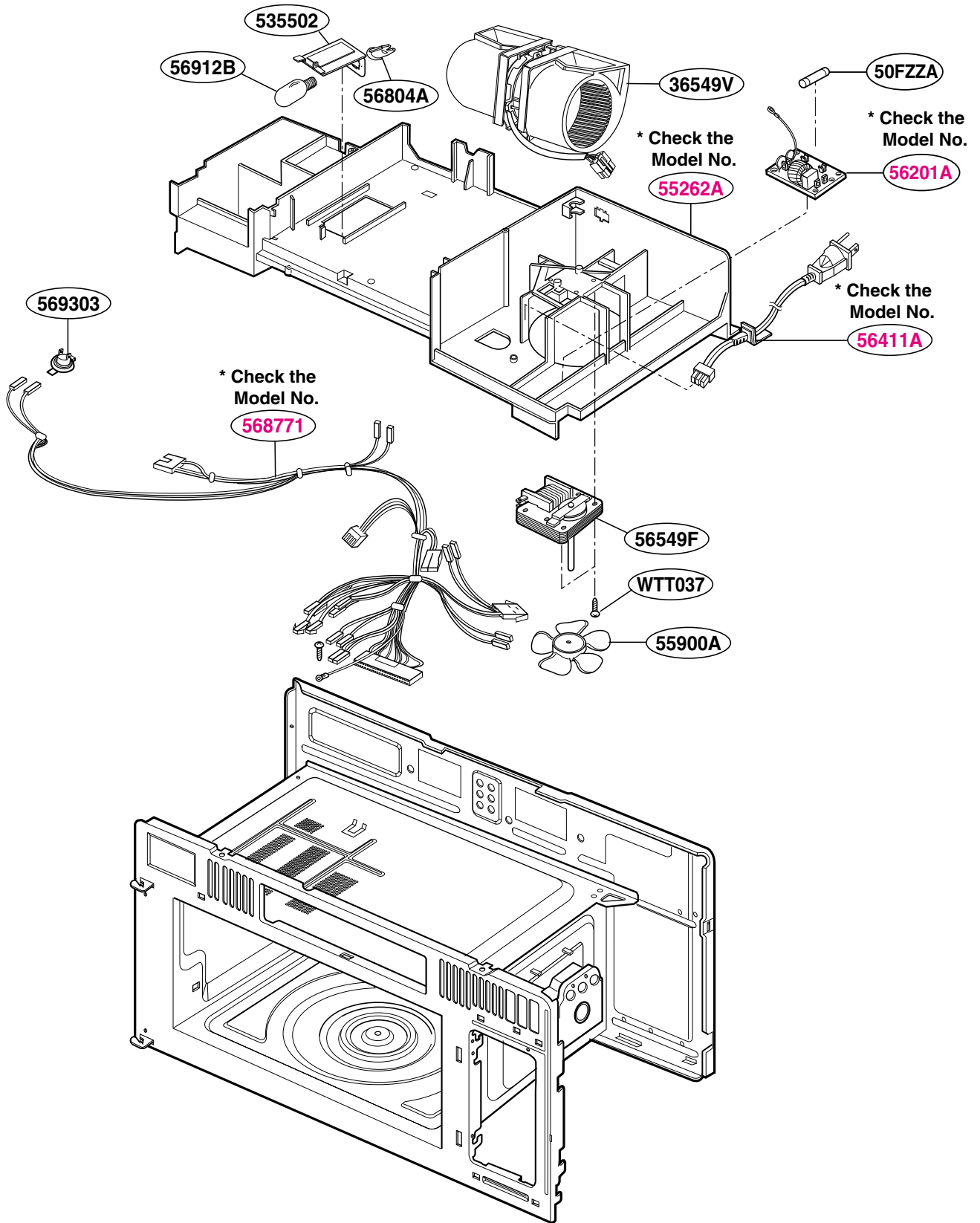




# INTERIOR PARTS (II - II)

Model: JVM1630WJ 03  
JVM1630BJ 03  
JVM1630CJ 03

Check the rating label of **Model** and order SVC parts according to the **Model No.**



# INSTALLATION PARTS

