

This Owner's Manual is provided and hosted by [Appliance Factory Parts](#).

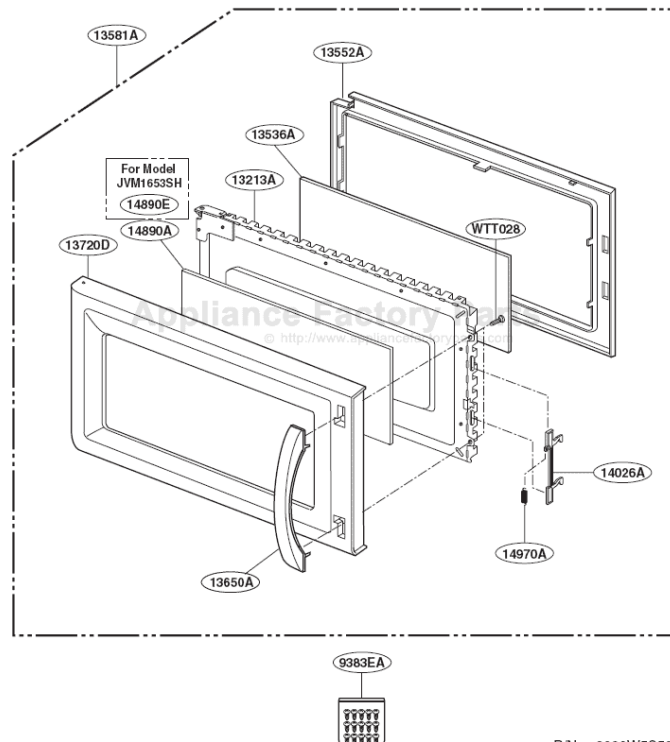


GE JVM1653SH Owner's Manual

[Shop genuine replacement parts for GE JVM1653SH](#)

Model : JVM1653WH 06
JVM1653BH 06
JVM1653SH 06

DOOR PARTS



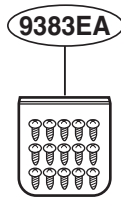
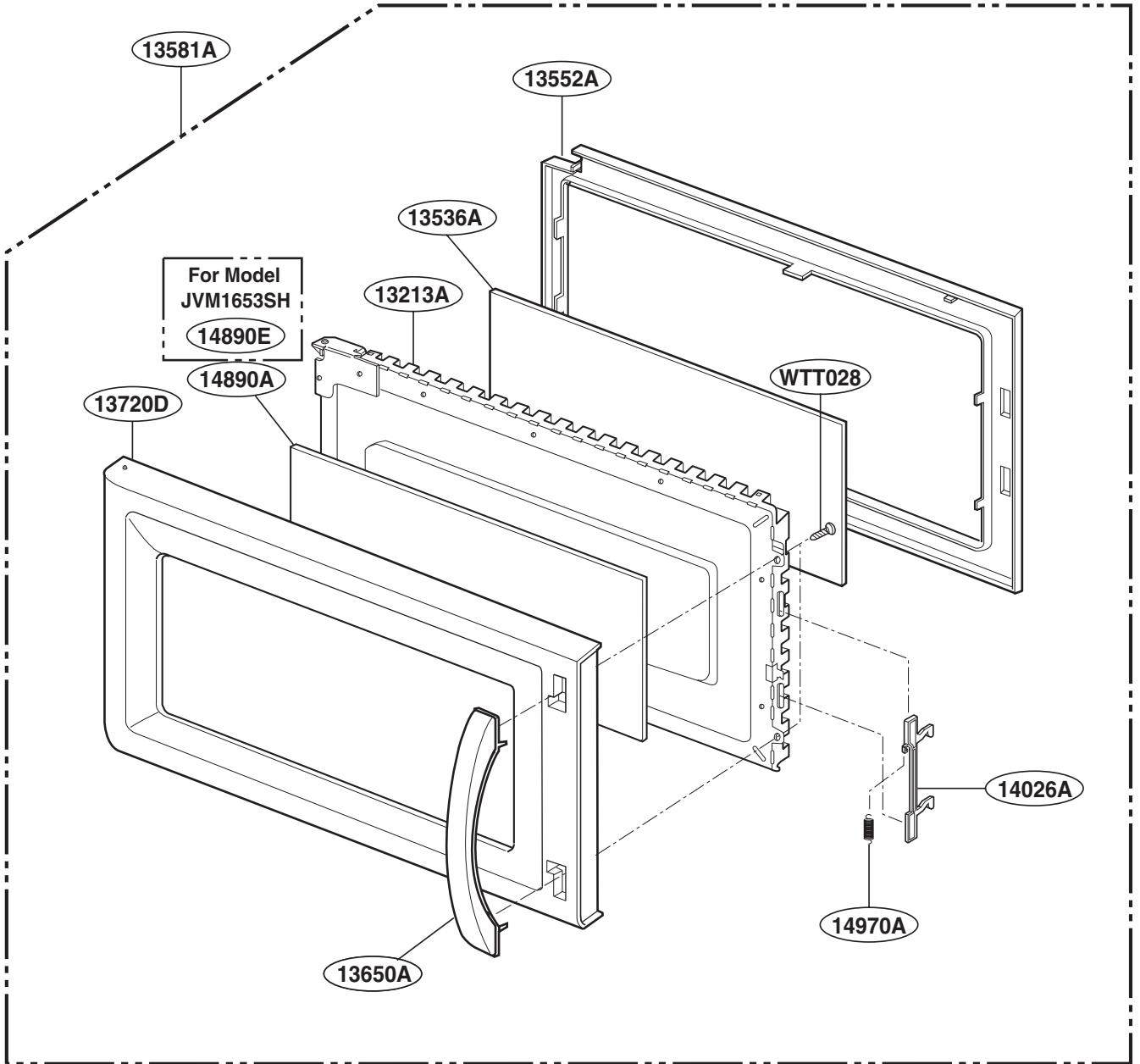
[Find Your GE Microwave Parts - Select From 3055 Models](#)

----- Manual continues below -----

EXPLODED VIEW

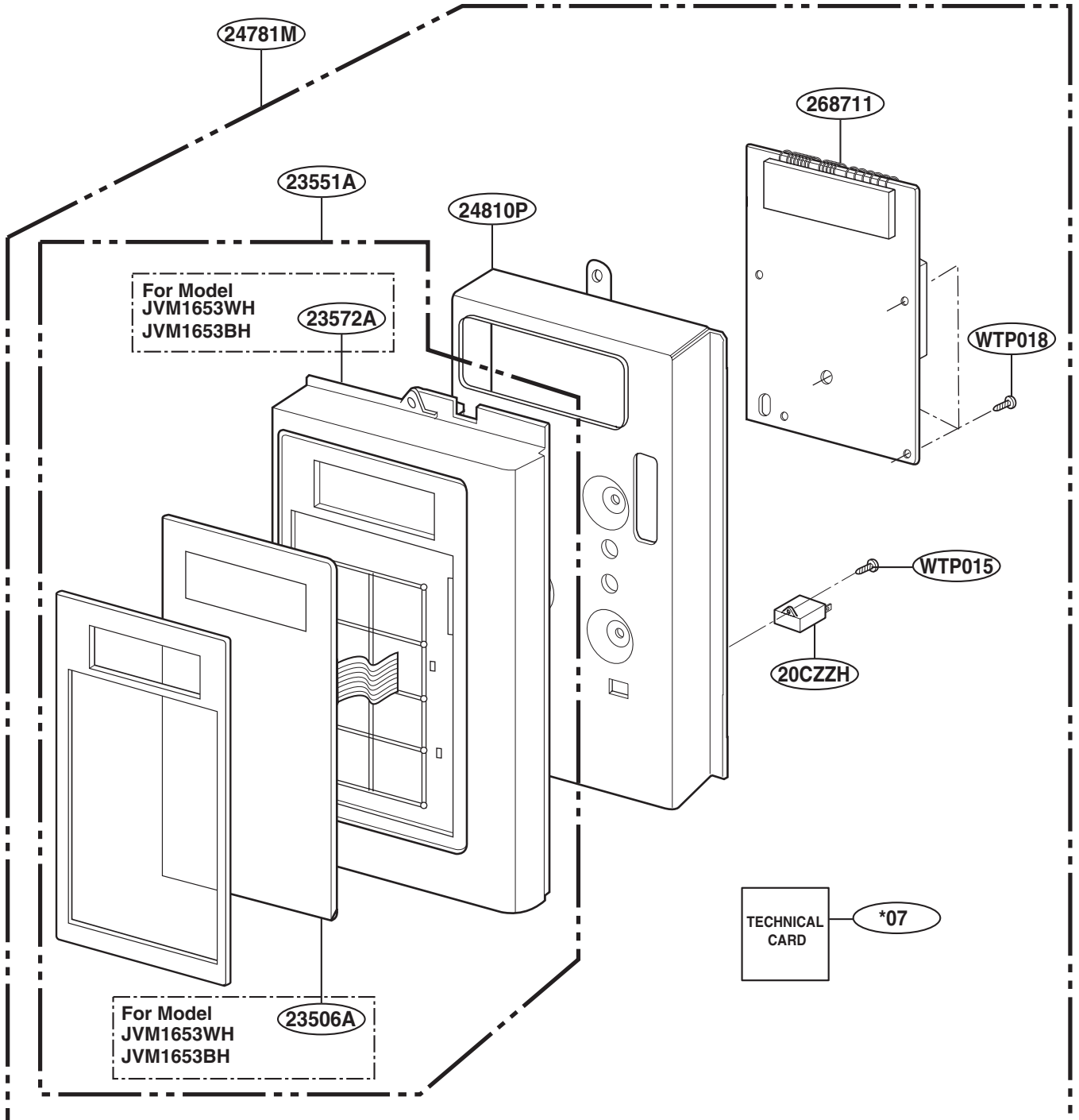
Model : JVM1653WH 06
JVM1653BH 06
JVM1653SH 06

DOOR PARTS

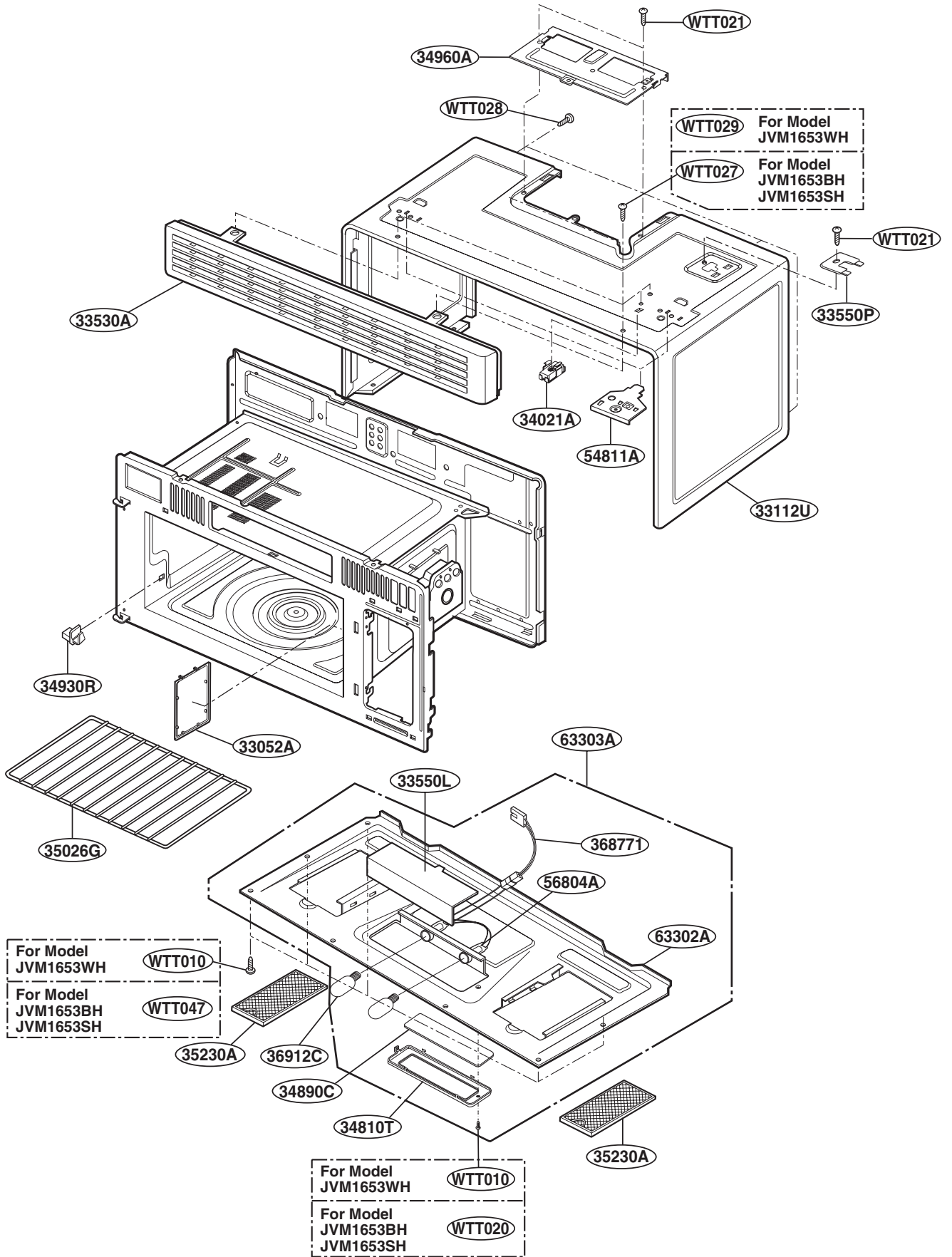


P/No.: 3828W5S5276

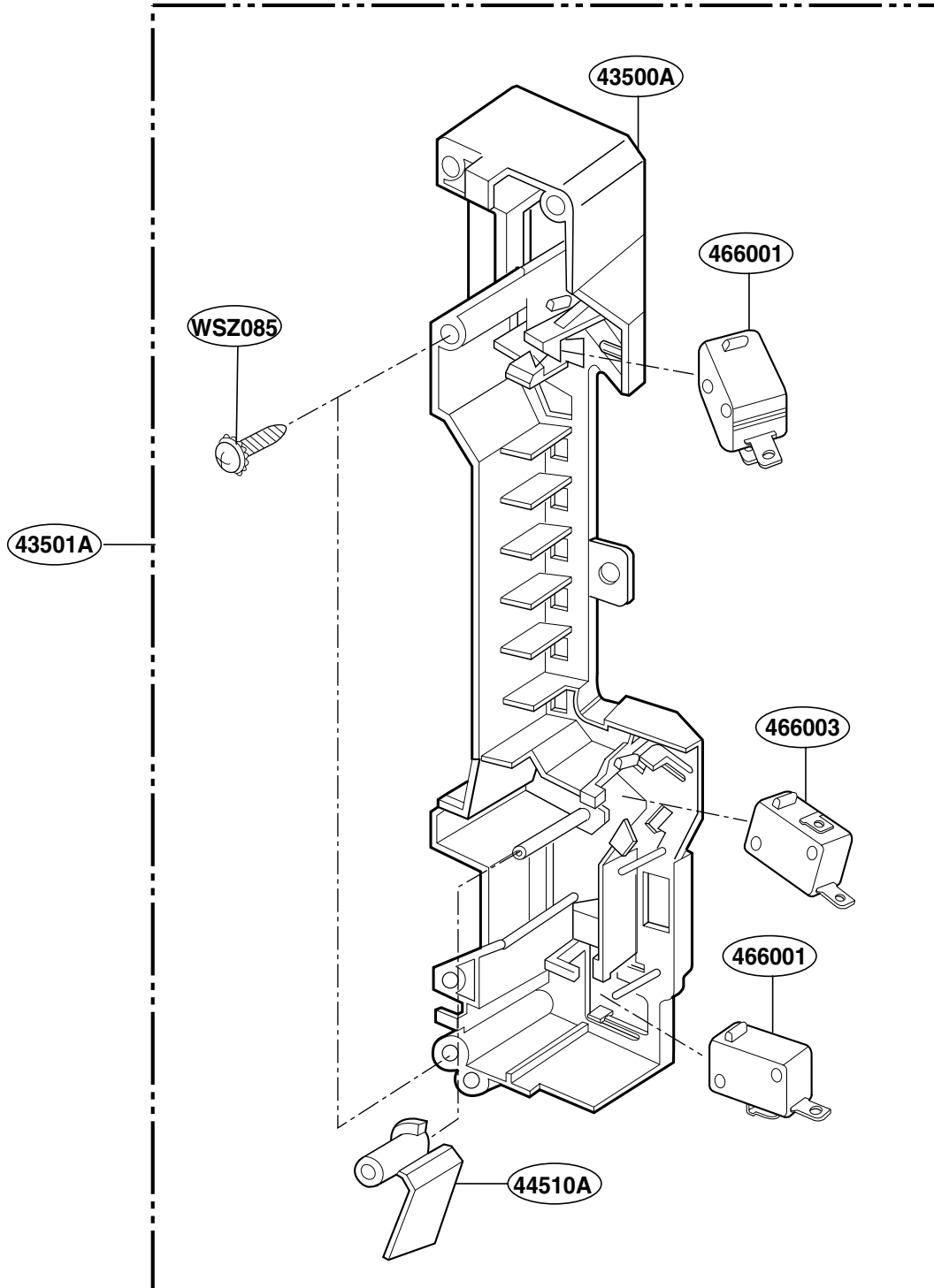
CONTROLLER PARTS



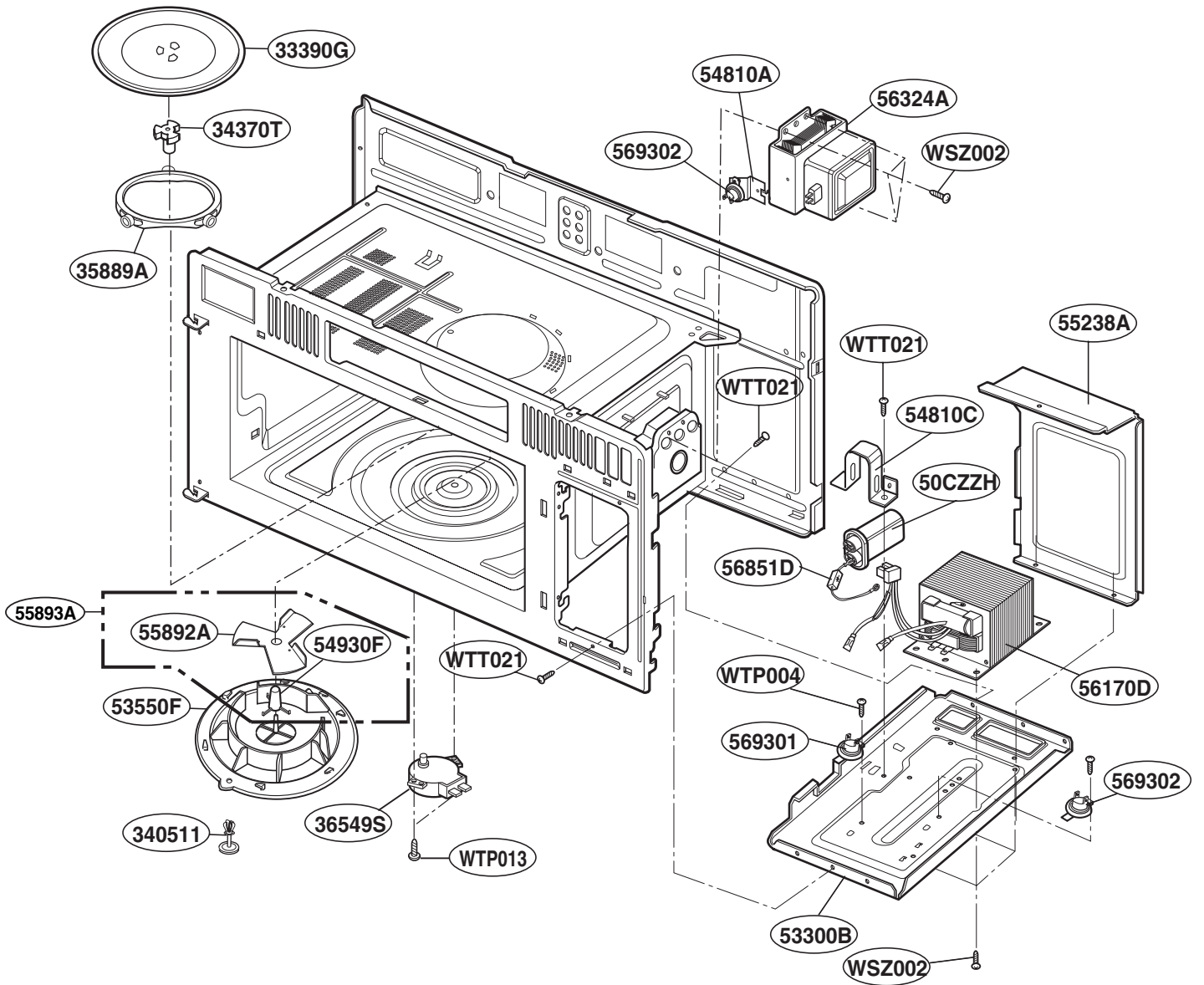
OVEN CAVITY PARTS



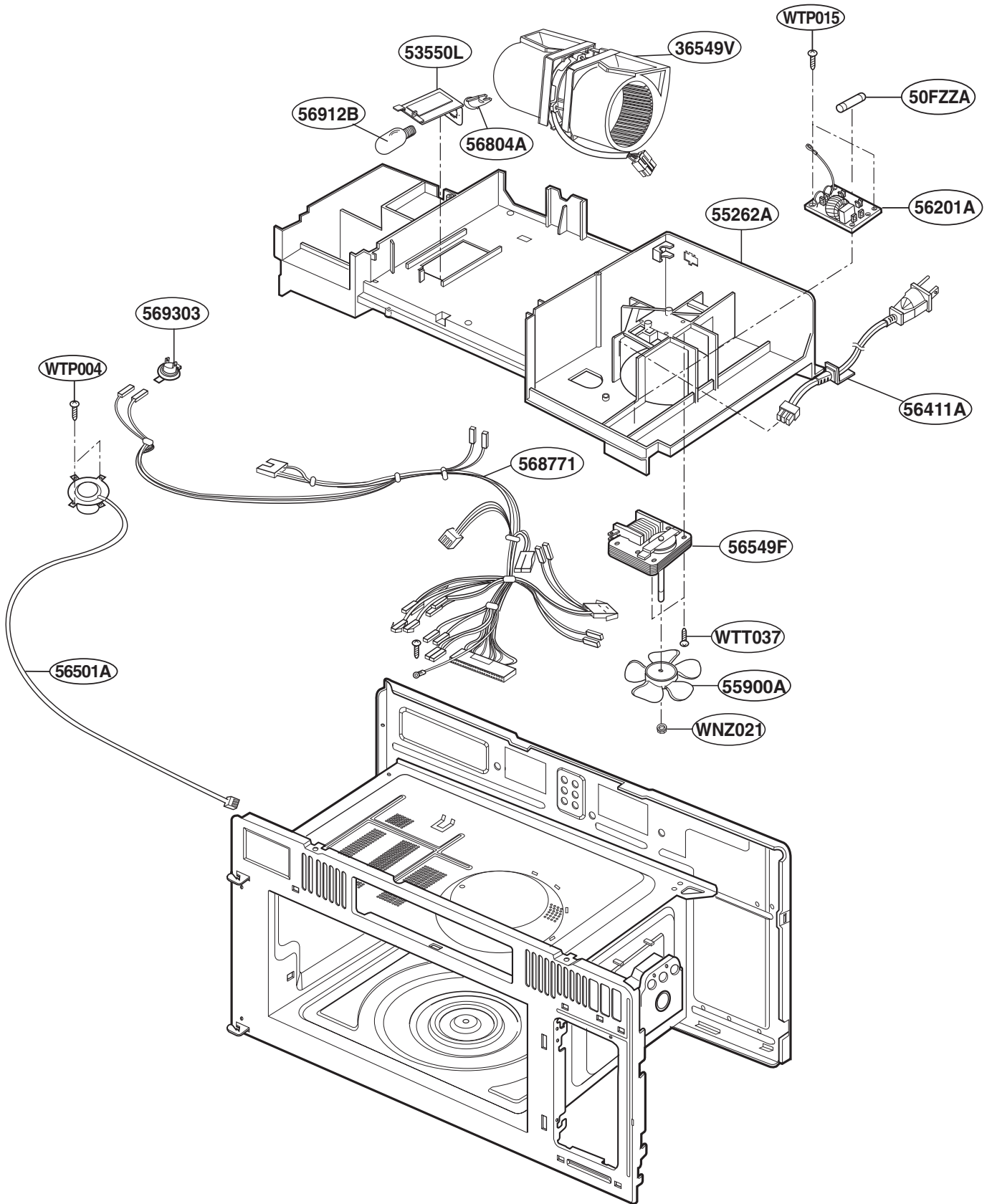
LATCH BOARD PARTS



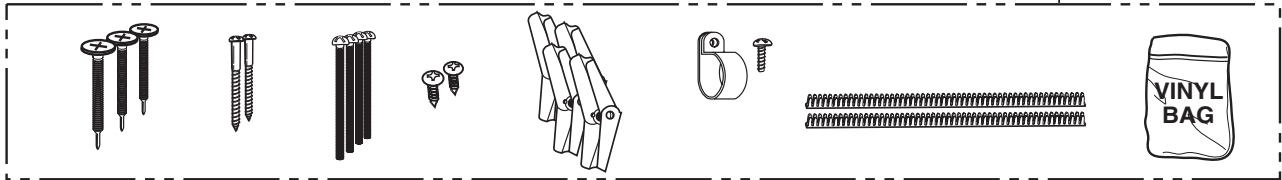
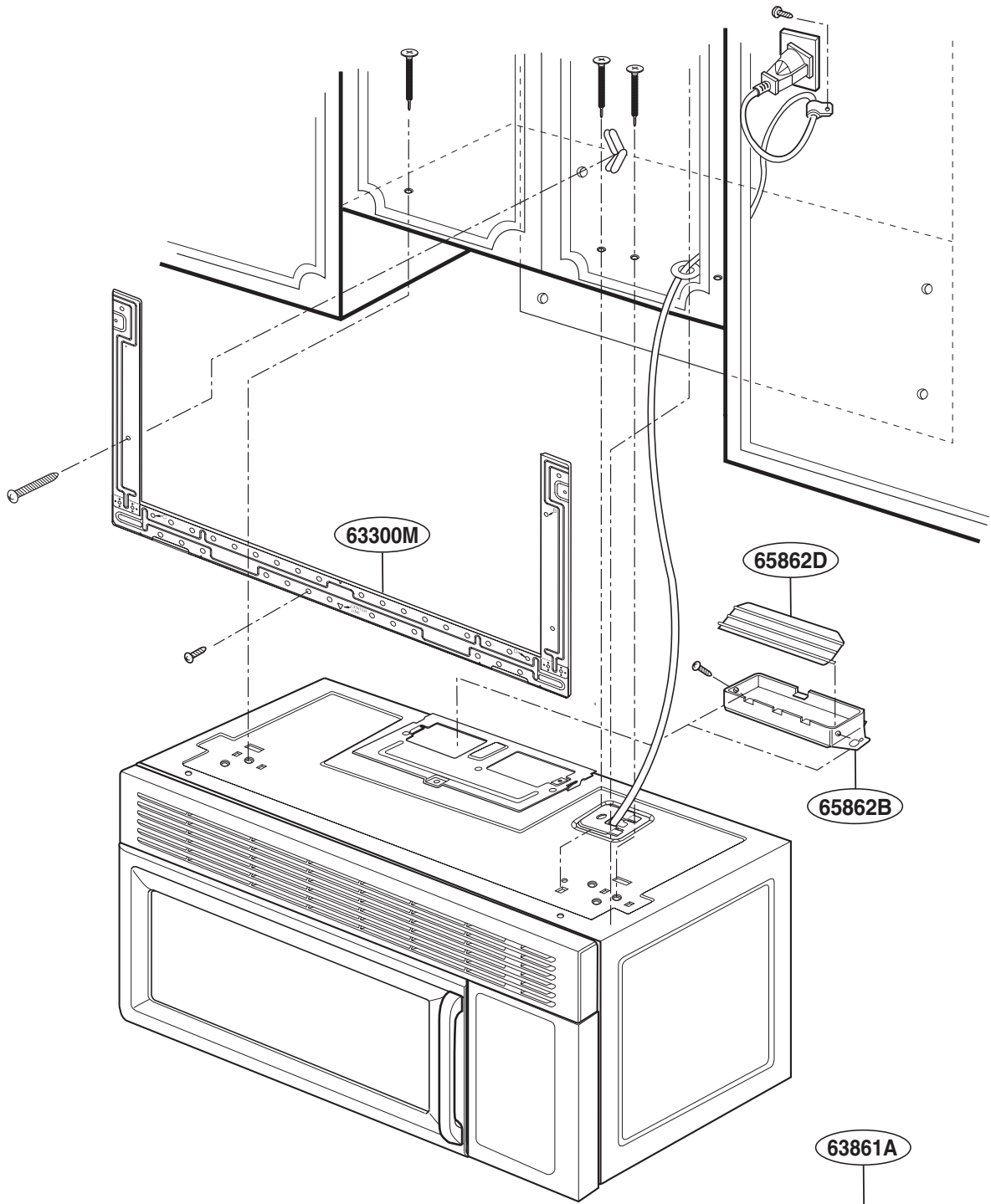
INTERIOR PARTS (I)



INTERIOR PARTS (II)



INSTALLATION PARTS



- OWNERS MANUAL — *01
- INSTALLATION MANUAL — *04
- COOKING GUIDE LABEL — *05
- WALL TEMPLATE — *06-1
- UPPER TEMPLATE — *06-2