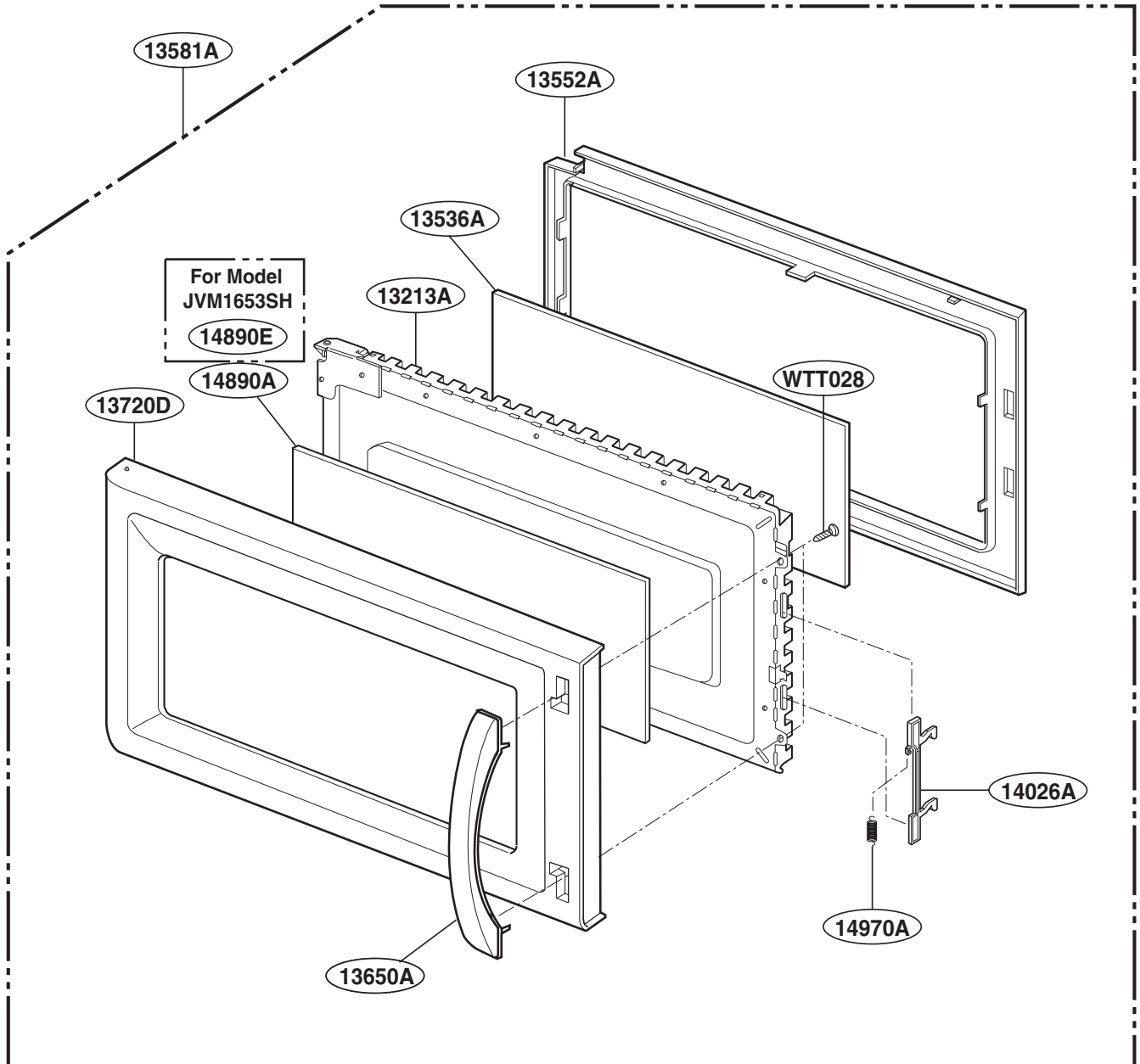


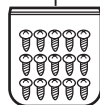
# EXPLODED VIEW

Model : JVM1653WH 06  
JVM1653BH 06  
JVM1653SH 06

## DOOR PARTS

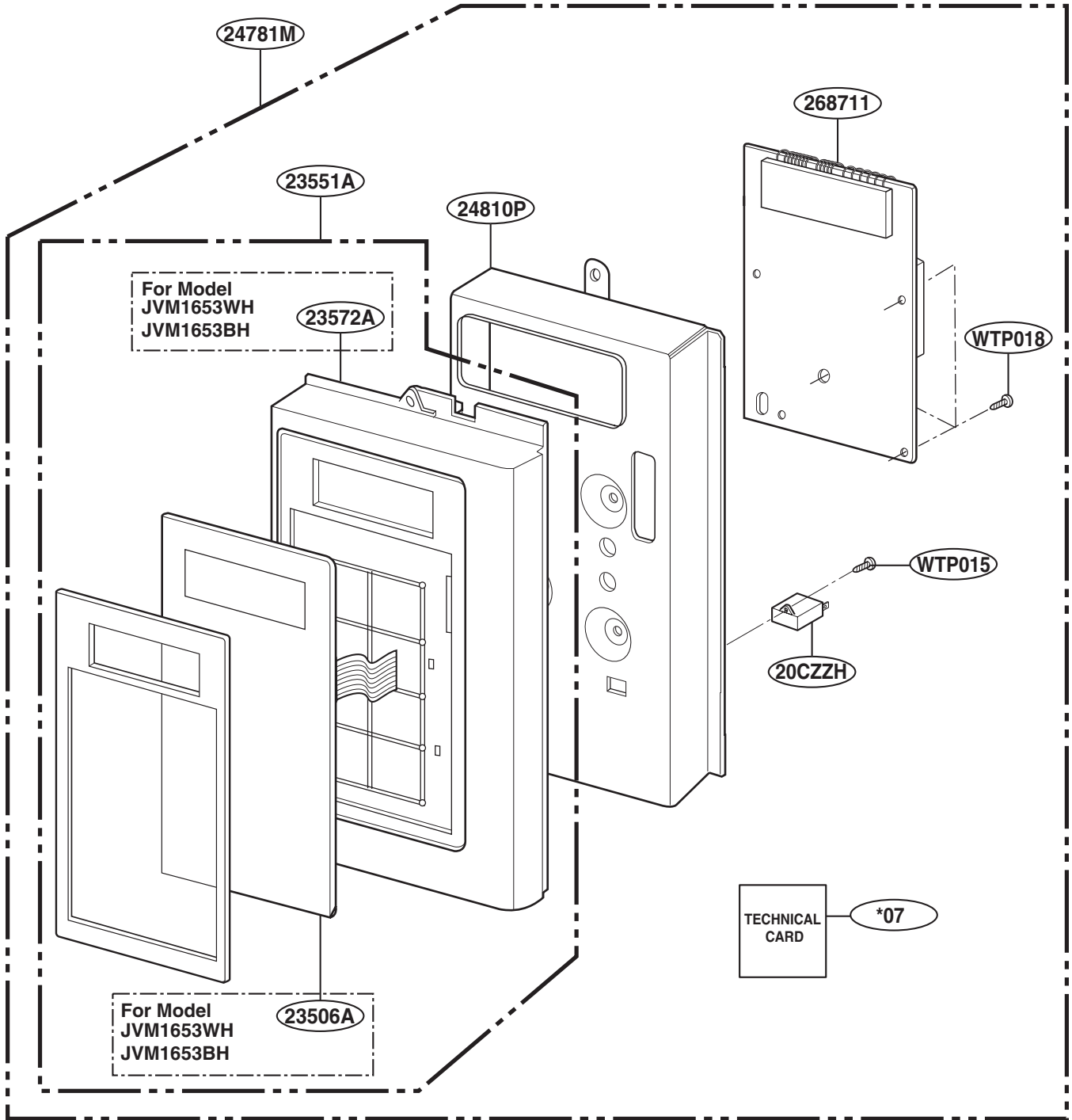


9383EA

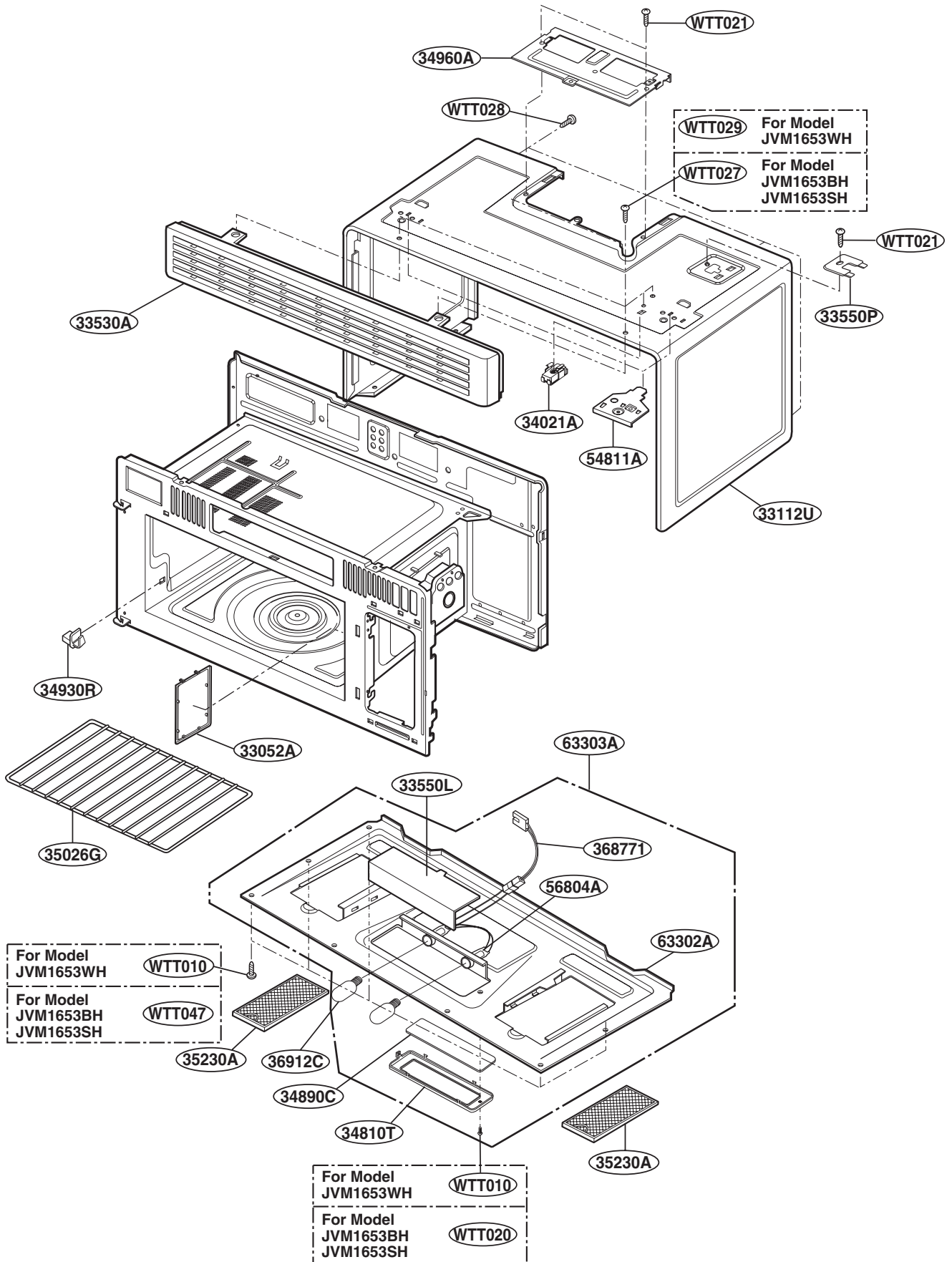


P/No.: 3828W5S5276

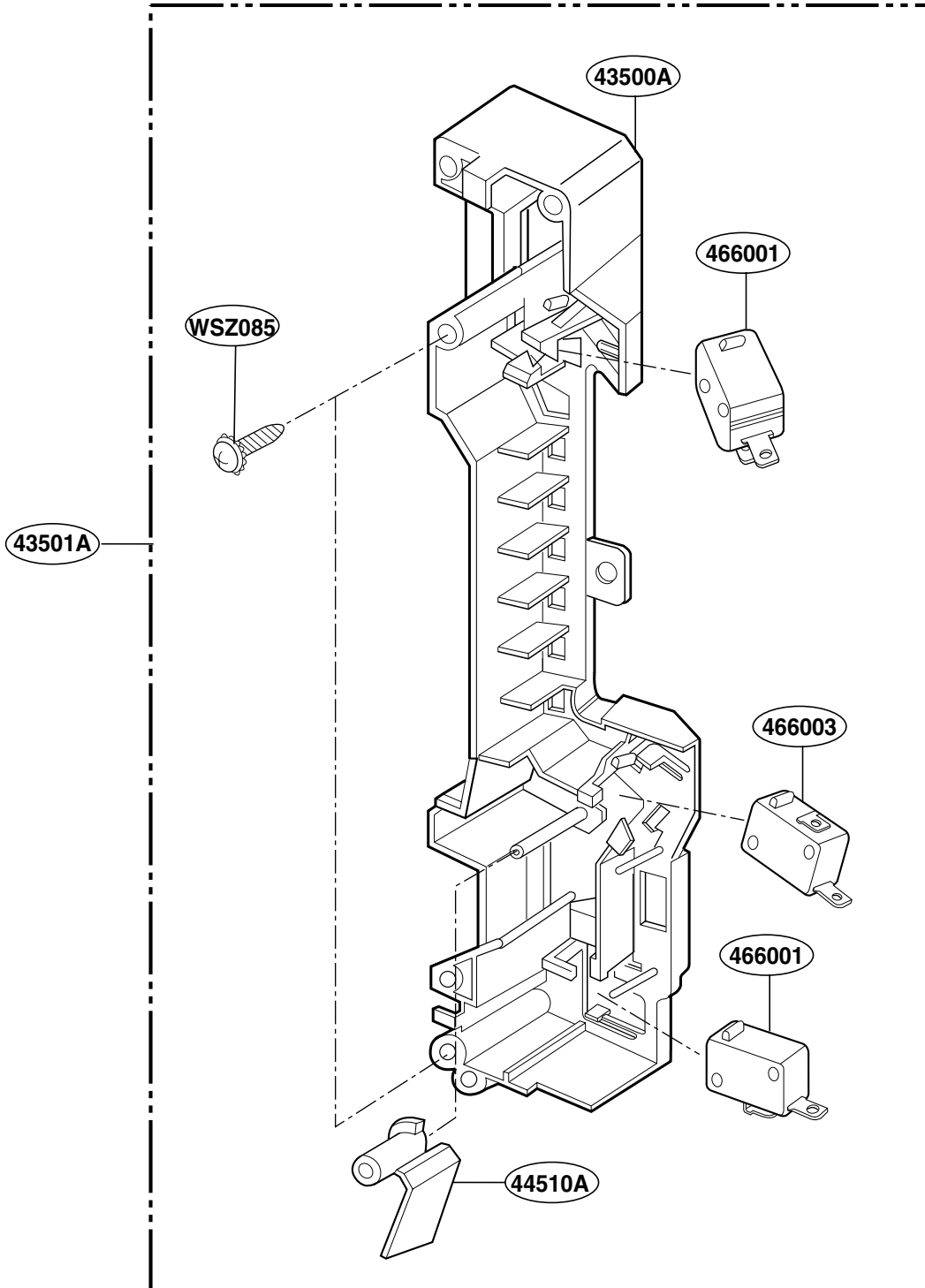
# CONTROLLER PARTS



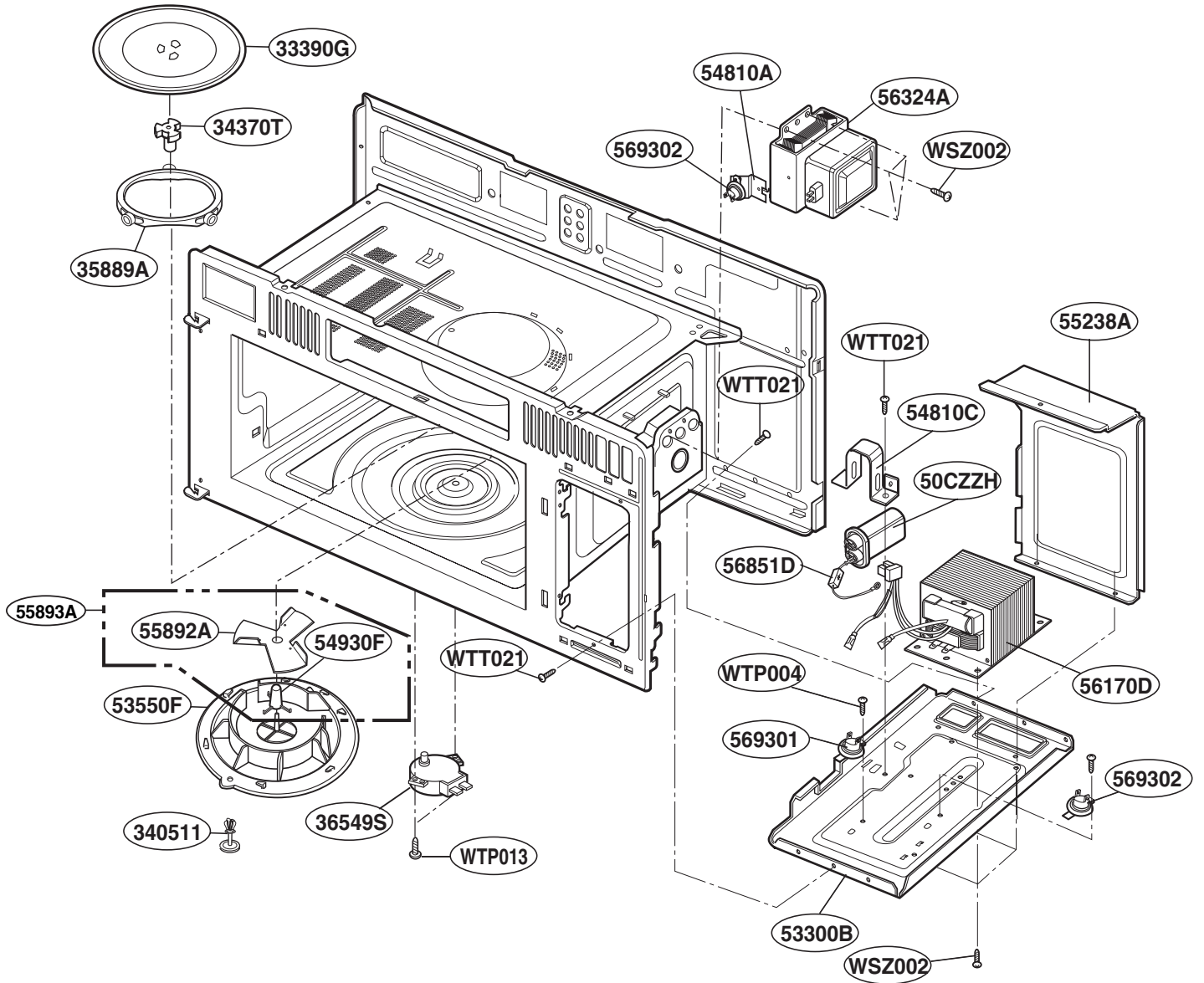
# OVEN CAVITY PARTS



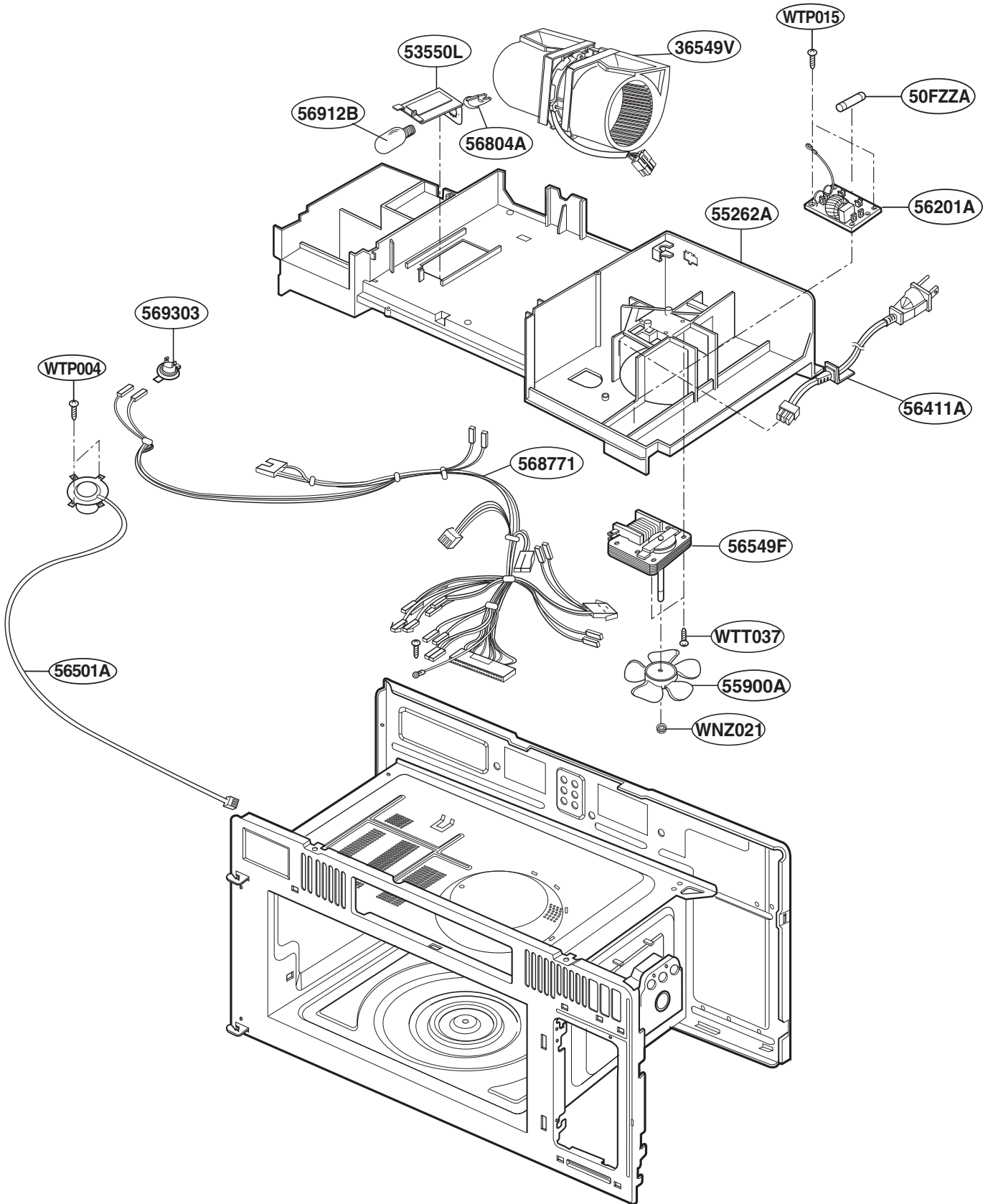
# LATCH BOARD PARTS



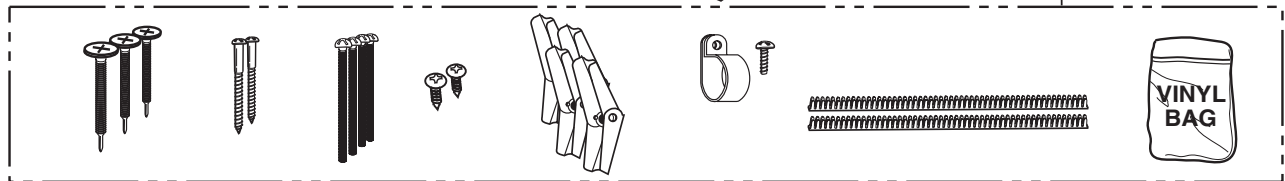
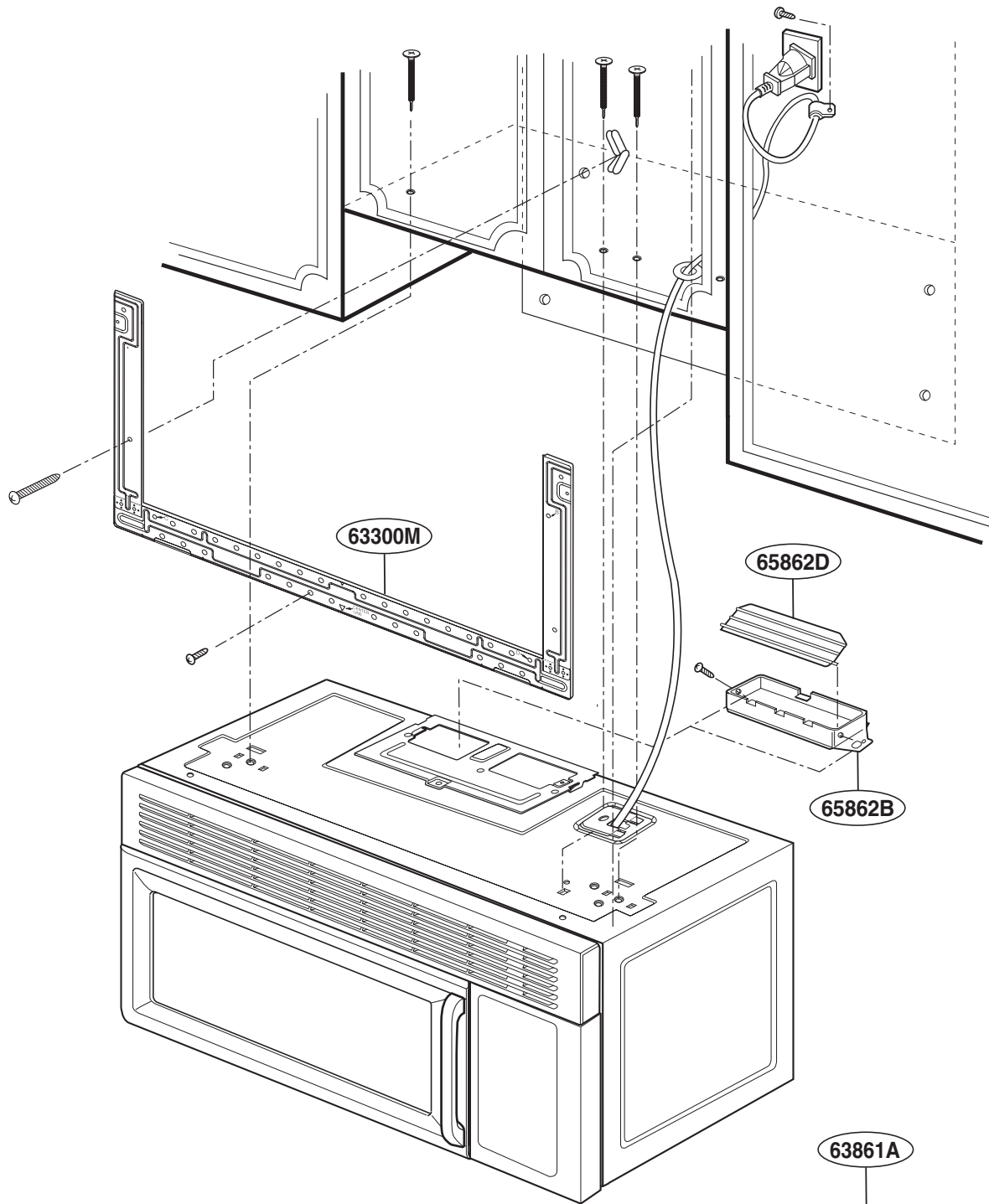
# INTERIOR PARTS (I)



# INTERIOR PARTS (II)



# INSTALLATION PARTS



- OWNERS MANUAL — \*01
- INSTALLATION MANUAL — \*04
- COOKING GUIDE LABEL — \*05
- WALL TEMPLATE — \*06-1
- UPPER TEMPLATE — \*06-2