

This Owner's Manual is provided and hosted by [Appliance Factory Parts](#).



LG LAN095HV Owner's Manual

[Shop genuine replacement parts for LG LAN095HV](#)



[Find Your LG Air Conditioner Parts - Select From 2328 Models](#)

----- Manual continues below -----



Room Air Conditioner

SVC MANUAL(Exploded View)

MODEL : AS-W093E*H0 (LAN095HV / LAU095HV)
AS-W123E*H0 (LAN125HV / LAU125HV)

CAUTION

Before Servicing the unit, read the safety precautions in General SVC manual.
Only for authorized service personnel.

1. Specification

Models		AS-W093ERH0 [LA095HV]	AS-W123ERH0 [LA125HV]
Cooling Capacity (Min_Rating_Max)		kW 0.90~2.70~3.70	0.90~3.52~4.04
		Btu/h 3,070~9,200~12,620	3,070~12,000~13,800
Heating Capacity(Min_Rating_Max)		kW 0.90~3.52~5.00	0.90~4.54~5.49
		Btu/h 3,070~12,000~17,060	3,070~15,500~18,720
Power Input	Cooling/Heating	W 690/915	1,120/1,370
Running Current	Cooling/Heating	A 3.2/4.2	5.0/5.9
Starting Current	Cooling/Heating	A 3.2/4.2	5.0/5.9
EER		W/W 3.91	3.14
		Btu/h.W 13.3	10.7
COP		W/W 3.85	3.31
Power Supply		Ø / V / Hz 1/208-230/60	1/208-230/60
Power Factor		% 94	97
Air Flow Rate	Indoor,Max	m ³ /min(cfm) 8.5(300)	9.5(335)
	Outdoor,Max	m ³ /min(cfm) 29(1,024)	29(1,024)
Moisture Removal		l/h 0.6	1.3
Sound Level	Indoor,H/M/L	dB(A)+3 36/33/30	39/33/30
	Outdoor,Max	dB(A)+3 48	48
Refrigerant & Charge(at 7.5m)		g(oz) R410A, 1,000(35.3)	R410A, 1,000(35.3)
Additional Refrigerant Charge		g/m(oz/ft) 20(0.22)	20(0.22)
Compressor	Type	Rotary	Rotary
	Model	5RS102XAA21	5RS102XAA21
	Motor Type	BLDC	BLDC
	Oil Type	FV50S	FV50S
	Oil Charge	cc 320	320
	O.L.P Name	-	-
Fan(Indoor)	Type	Cross Flow Fan	Cross Flow Fan
	Motor Output	W 20	20
Fan(outdoor)	Type	Propeller	Propeller
	Motor Type	BLDC	BLDC
	Motor Output	W 43	43
Circuit Breaker*		A 15	15
Power Supply Cable		NEC 14	14
Power and Transmission Cable		NEC 18	18
Piping Connections	Liquid Side	mm(in) 6.35(1/4)	6.35(1/4)
	Gas Side	mm(in) 9.52(3/8)	9.52(3/8)
Drain Hose	O.D , I.D	mm(in) 21.5, 16.0(0.85, 0.63)	21.5, 16.0(0.85, 0.63)
Dimension	Indoor(W*H*D)	mm 912*282*165	912*282*165
	inch	35.9*11.1*6.5	35.9*11.1*6.5
	Outdoor(W*H*D)	mm 770*545*245	770*545*245
	inch	30.3*21.5*9.6	30.3*21.5*9.6
Net Weight	Indoor	kg(lbs) 9.5(20.9)	9.5(20.9)
	Outdoor	kg(lbs) 35(77.2)	35(77.2)
Operation Range	Cooling(Outdoor)	°C (°F) -10 ~ 46 (14.0~114.8)(Low Ambient)	-10 ~ 46 (14.0~114.8)(Low Ambient)
	Heating(Outdoor)	°C (°F) -15 ~ 24 (5.0 ~ 75.2)	-15 ~ 24 (5.0 ~ 75.2)
Max. Piping Length		m(ft) 15(49)	15(49)
Max. Elevation Difference		m(ft) 7(23)	7(23)
Tool Code(Chassis)	Indoor + Outdoor	SE1 + UL	SE1 + UL
Functions	Temperature Control	Thermistor	Thermistor
	Plasma Filter	NEO	NEO
	Prefilter(washable/anti-fungus)	O	O
	Auto Clean	O	O
	CHAOS Wind(Auto Wind)	O	O
	Steps, Fan/Cool/Heat	3/4/4	3/4/4
	Airflow Direction Control(up&down)	Auto	Auto
	Airflow Direction Control(left&right)	Auto	Auto
	Remocon Type	Wireless LCD	Wireless LCD
	Setting Temperature Range	Cooling [°C (°F)] 18~30 (64~86)	18~30 (64~86)
		Heating [°C (°F)] 16~30 (60~86)	16~30 (60~86)
	Auto Operation (Micom Control)	-	-
	Auto Changeover (Micom Control)	O	O
	Self Diagnosis	O	O
	Timer	24h On/Off	24h On/Off
	Sleep Operation	O	O
	Soft Dry Operation	O	O
	Restart Delay(minute)	2	2
	Deice Control(Defrost)	O	O
	Hot Start	O	O
	Jet Cool / Heat	O/O	O/O
	Low Ambient Operation	O	O
	Special Function	-	-
Network Functions	Dry Contact	-	-
	Network Solution(LGAP)	-	-
	PI485	-	-

Note:

O : Applied, - : No relation

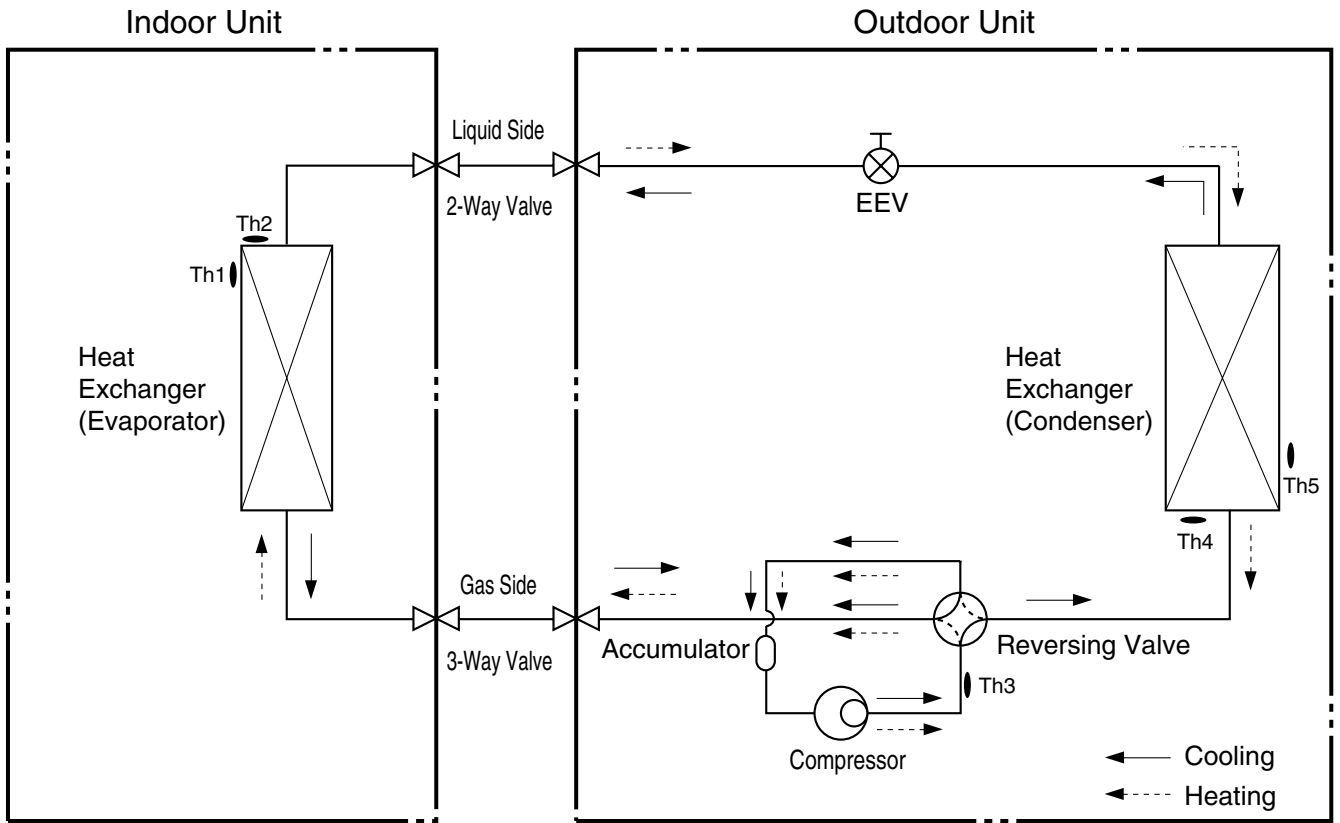
* For circuit breaker rating, please conform to local standards wherever necessary.

* Some of functions are slightly different depending upon models.

* The specification may be subject to change without prior notice for purpose of improvement.

* Capacity : based on 230V

2. Piping Diagrams

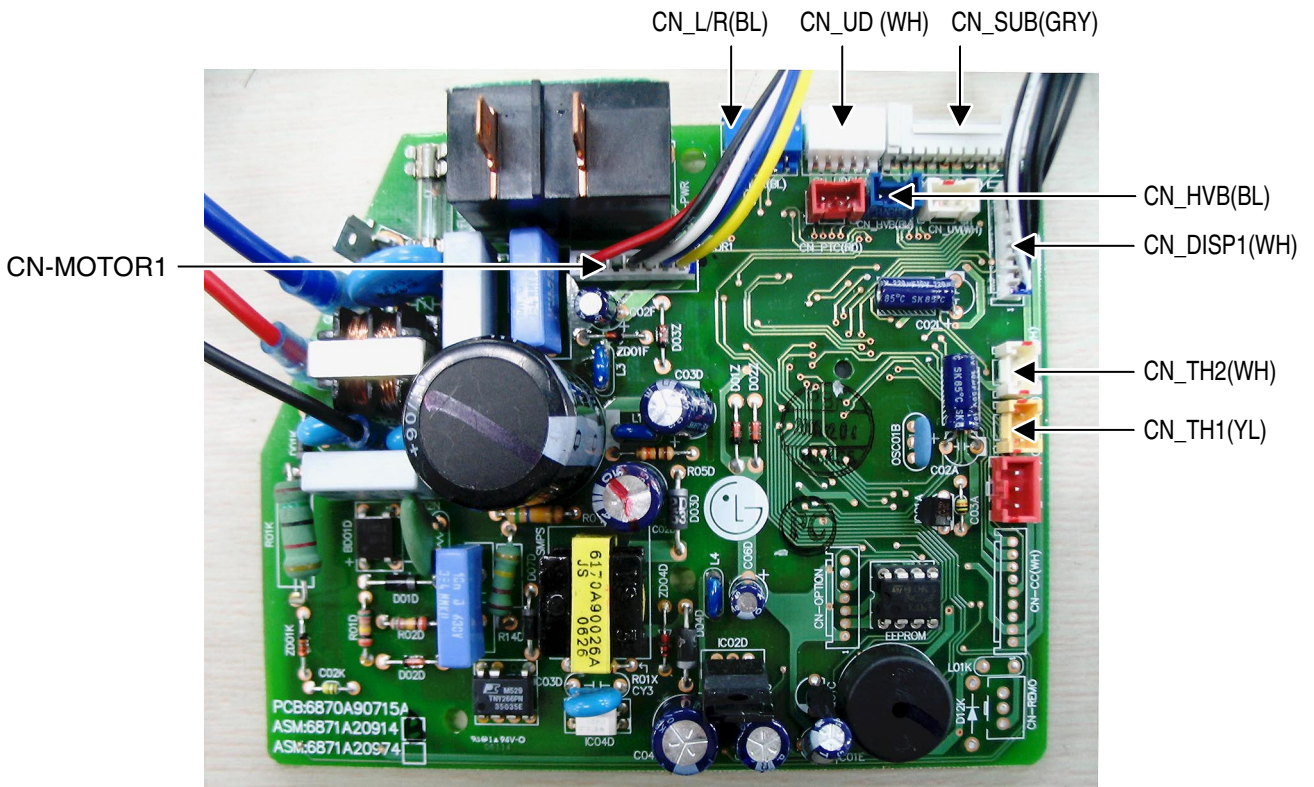
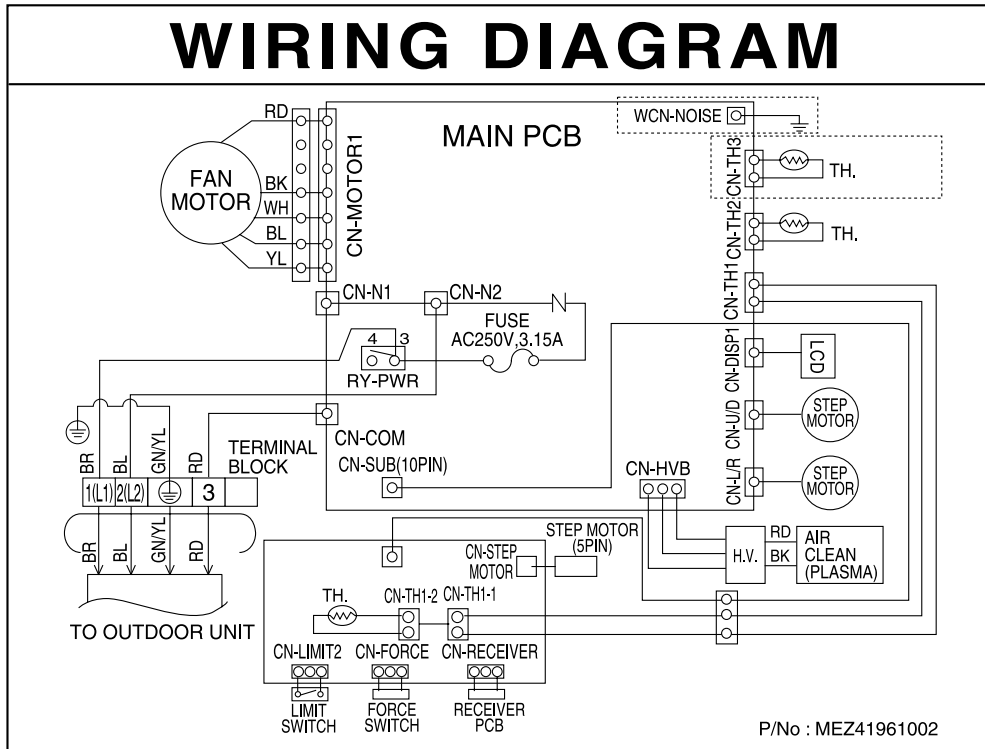


LOC.	Description	PCB Connector
Th1	Thermistor for indoor air temperature	CN_TH1(INDOOR)
Th2	Thermistor for evaporating temperature	CN_TH2(INDOOR)
Th3	Thermistor for discharge pipe temperature	CN_D_PIPE(OUTDOOR)
Th4	Thermistor for condensing temperature	CN_TH1(OUTDOOR)
Th5	Thermistor for outdoor air temperature	

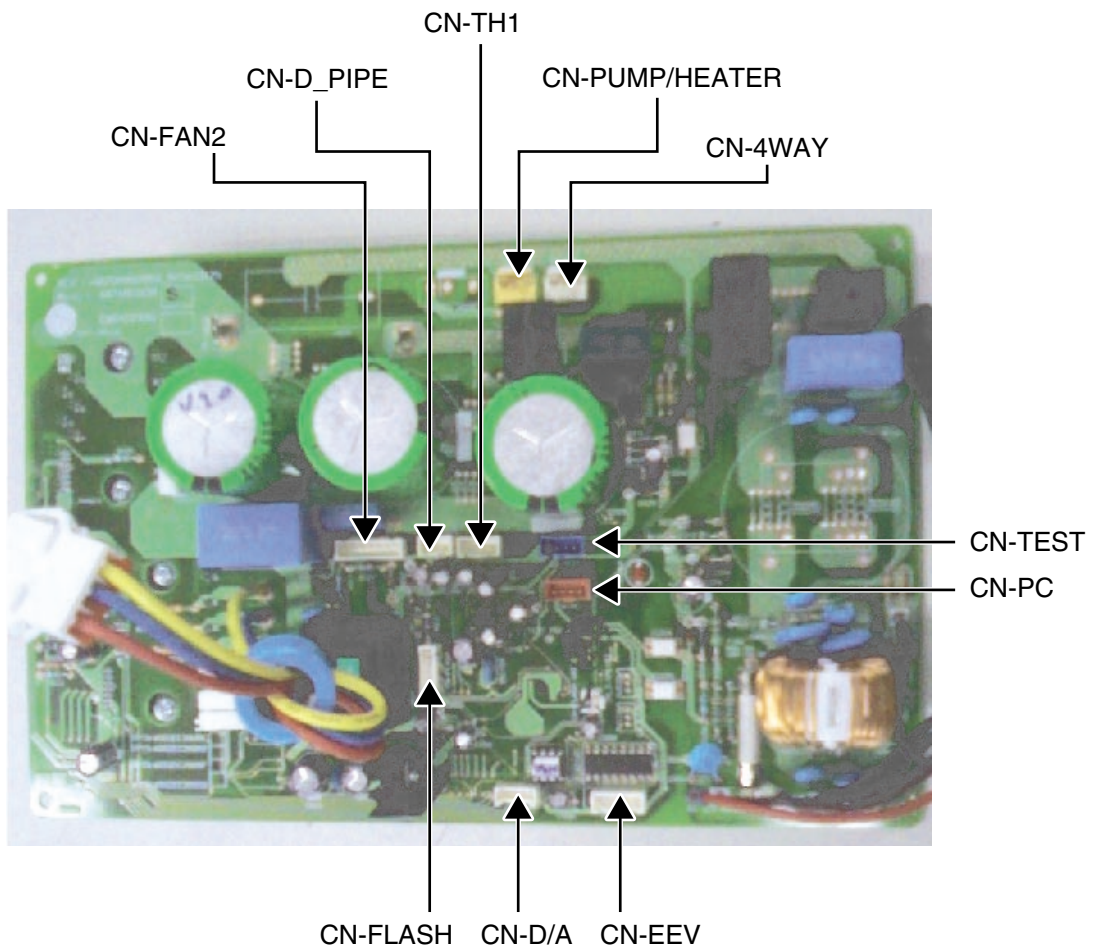
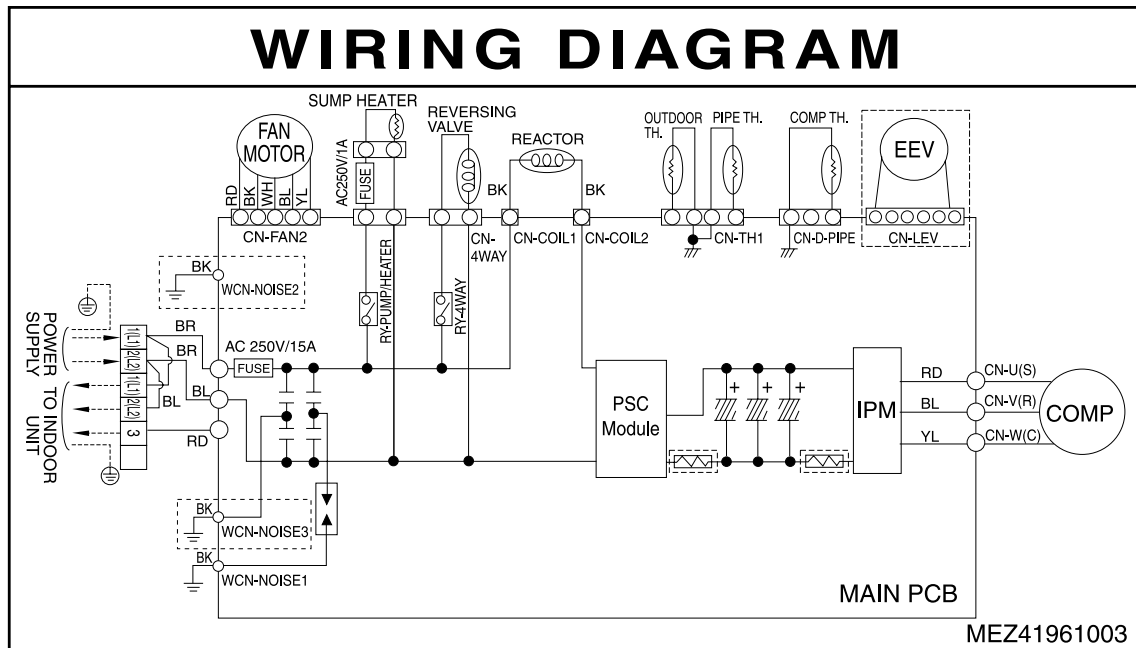
* EEV : Electronic Expansion Valve.

3. Wiring Diagrams

Indoor Unit

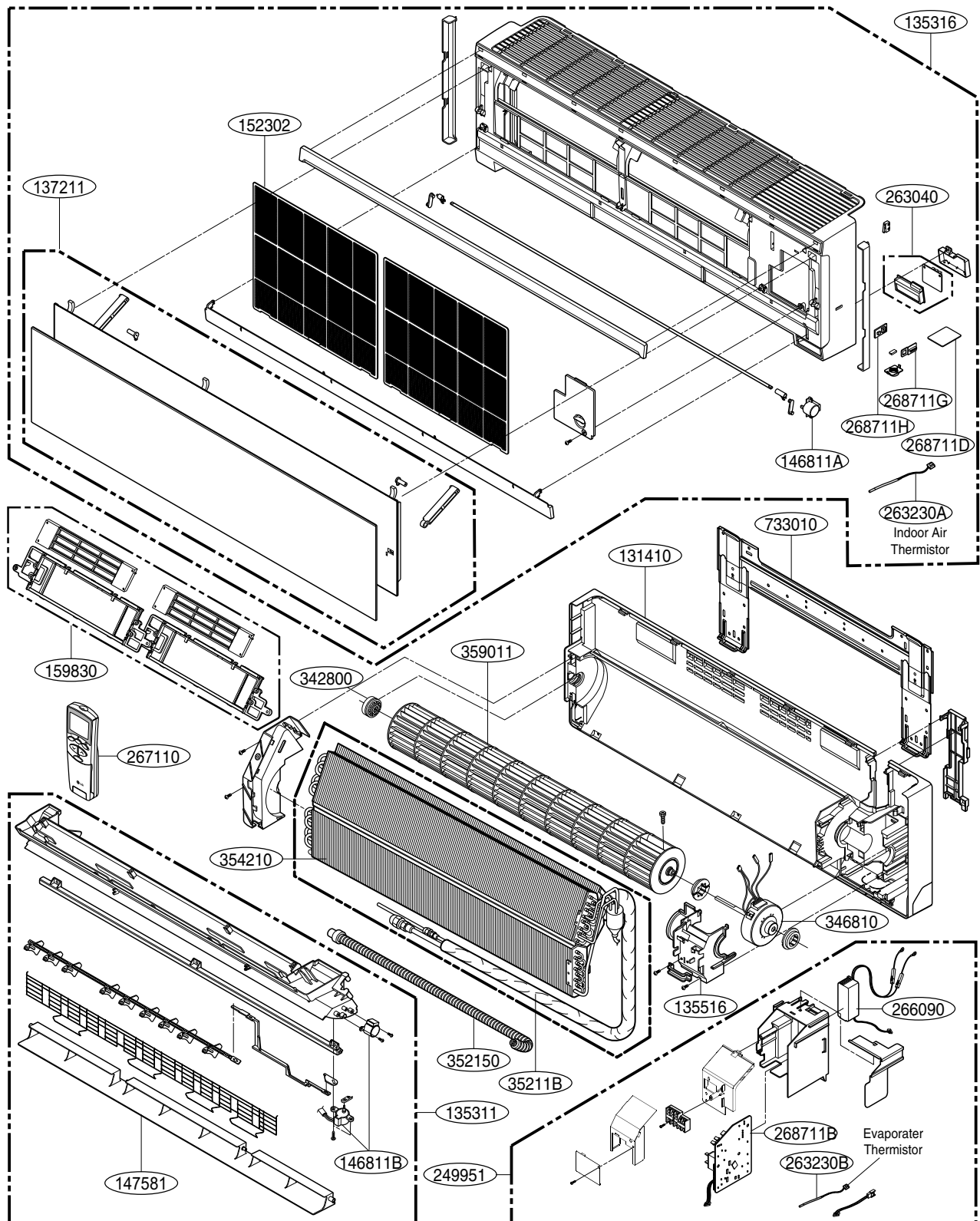


Outdoor Unit



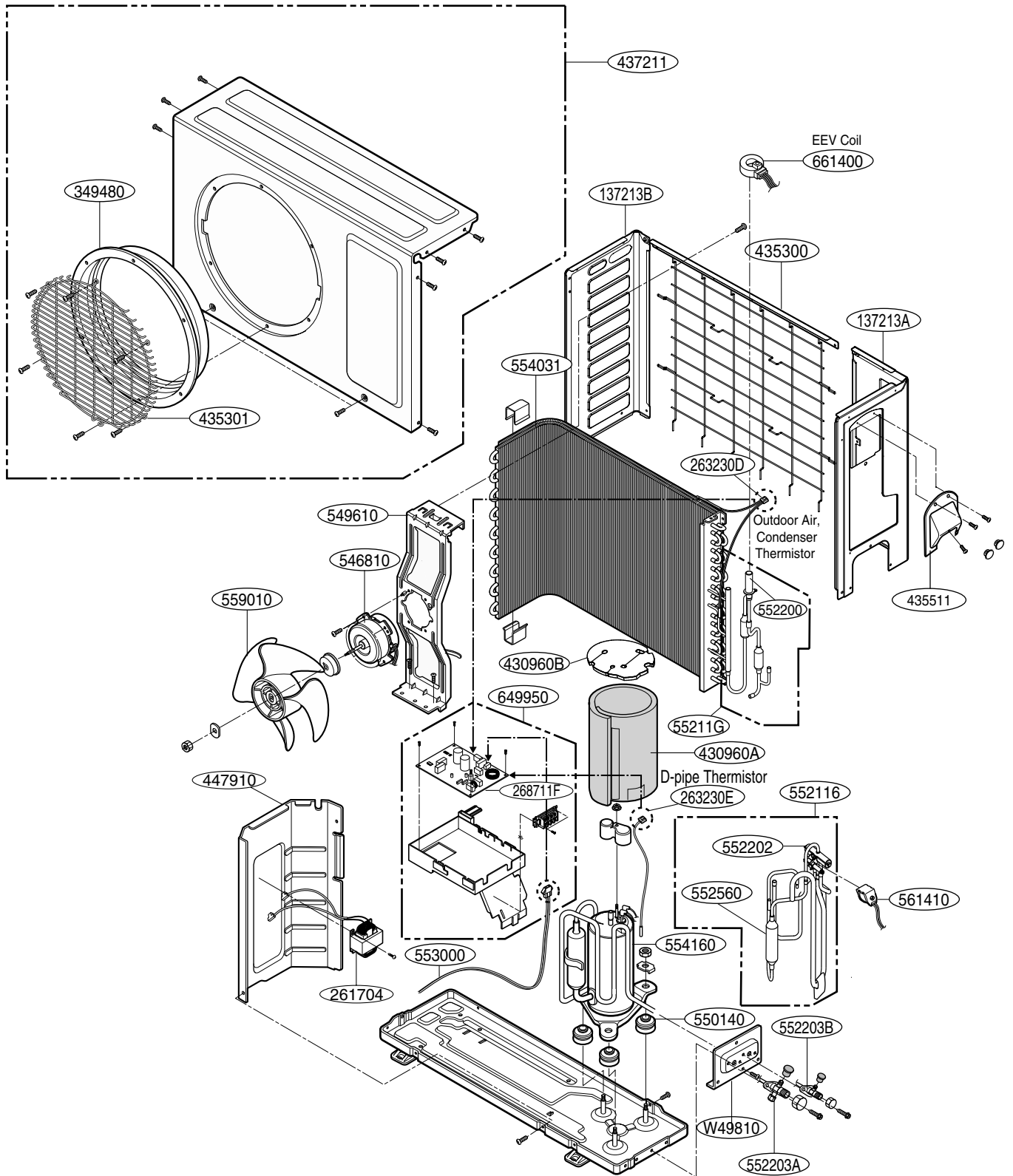
4. Exploded View

Indoor Unit



Note) * Please ensure GCSC since the replacement parts may be changed depending upon the buyer's request.
Please check the correct parts in View RPL(Replacement Part List) on GCSC.
(GCSC Website <http://biz.Lgservice.com>.)

Outdoor Unit



Note) * Please ensure GCSC since the replacement parts may be changed depending upon the buyer's request. Please check the correct parts in View RPL(Replacement Part List) on GCSC. (GCSC Website <http://biz.Lgservice.com>.)



P/NO : MFL42286406

January, 2008