

This Owner's Manual is provided and hosted by [Appliance Factory Parts](#).



LG LFC25770TT Owner's Manual

[Shop genuine replacement parts for LG LFC25770TT](#)



[Find Your LG Refrigerator Parts - Select From 834 Models](#)

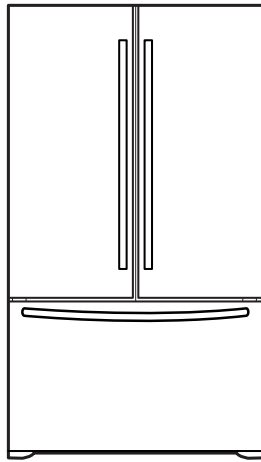
----- Manual continues below -----



REFRIGERATOR

SERVICE MANUAL

CAUTION
BEFORE SERVICING THE PRODUCT,
READ THE SAFETY PRECAUTIONS IN THIS MANUAL.



MODELS: LFC21770ST
LFC25770SB
LFC25770ST

LFC25770SW
LFC25770TT

COLORS: WESTERN BLACK(SB)
TITANIUM(TT)
SUPER WHITE(SW)
STAINLESS(ST)

CONTENTS

SAFETY PRECAUTIONS	2
SPECIFICATIONS	3
PARTS IDENTIFICATION	4
DISASSEMBLY	5-10
DOOR.....	5-6
DOOR ALIGNMENT	6
HOW TO REMOVE AND REINSTALL THE PULLOUT DRAWER.....	7-9
ADJUSTMENT	10-11
COMPRESSOR.....	10
PTC-STARTER.....	10
OLP (OVERLOAD PROTECTOR).....	11
TO REMOVE THE COVER PTC	11
CIRCUIT DIAGRAM	12
TROUBLESHOOTING	13-18
COMPRESSOR AND ELECTRIC COMPONENTS	13
PTC AND OLP	14
OTHER ELECTRICAL COMPONENTS	15
SERVICE DIAGNOSIS CHART.....	16
REFRIGERATION CYCLE	17-18
OPERATION PRINCIPLE AND REPAIR METHOD OF ICEMAKER	19-22
DESCRIPTION OF FUNCTION AND CIRCUIT OF MICOM	23-36
EXPLODED VIEW AND REPLACEMENT PARTS LIST	37-

SAFETY PRECAUTIONS

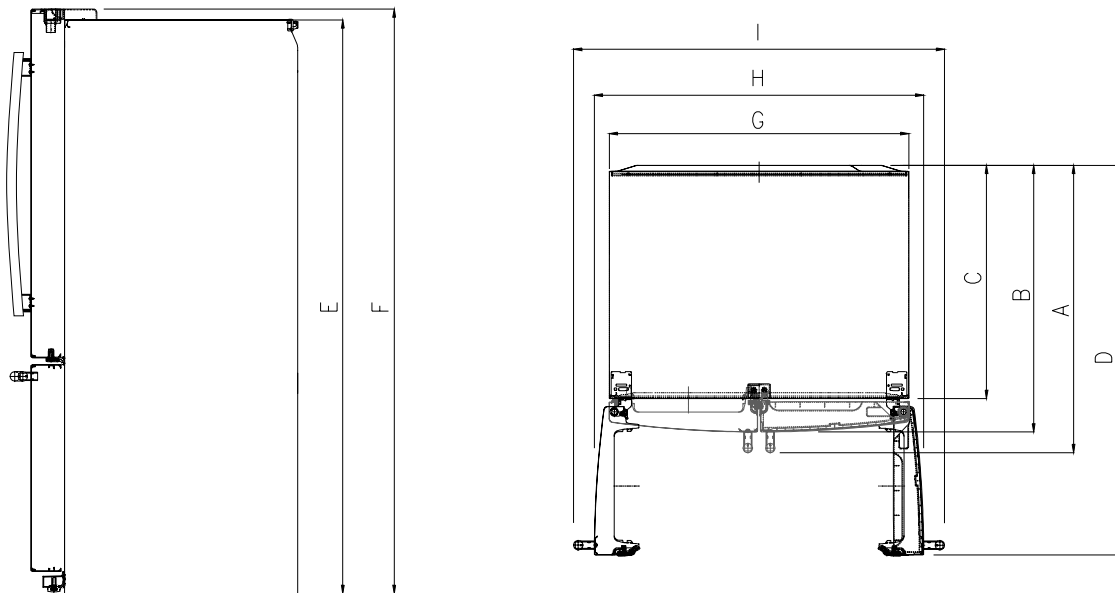
Please read the following instructions before servicing your refrigerator.

1. Unplug the power before handling any electrical components.
2. Check the rated current, voltage, and capacity.
3. Take caution not to get water near any electrical components.
4. Use exact replacement parts.
5. Remove any objects from the top prior to tilting the product.

1. SPECIFICATIONS

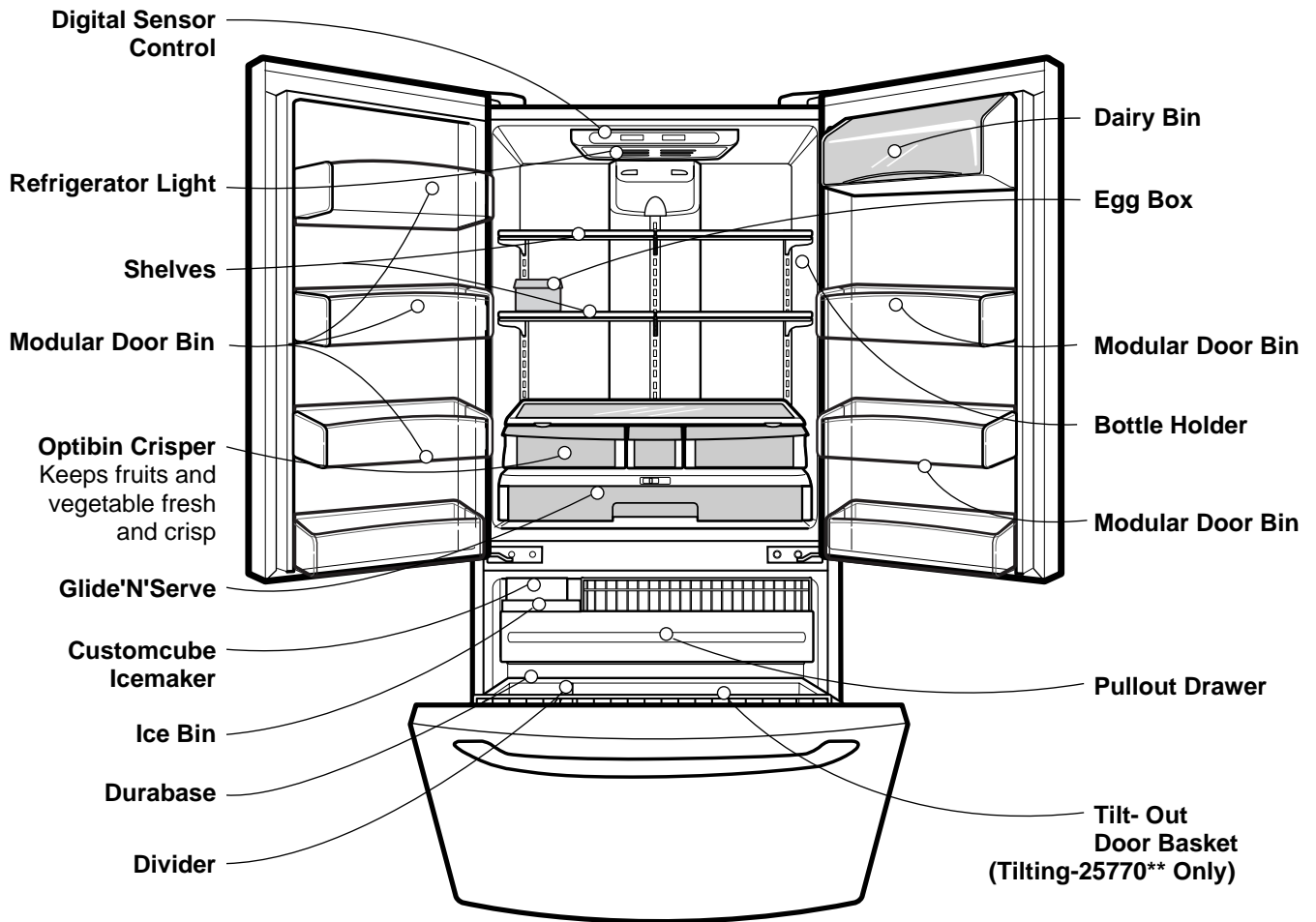
ITEMS	SPECIFICATIONS	ITEMS	SPECIFICATIONS	
DOOR DESIGN	Side Rounded	VEGETABLE TRAY	Opaque Drawer Type	
COOLING SYSTEM	Fan Cooling	COMPRESSOR	PTC Starting Type	
TEMPERATURE CONTROL	Micom Control	EVAPORATOR	Fin Tube Type	
DEFROSTING SYSTEM	Full Automatic	CONDENSER	Wire Condenser	
	Heater Defrost	REFRIGERANT	R-134a (115 g)	
DOOR FINISH	PCM, VCM, Stainless	LUBRICATING OIL	ISO10 (280 ml)	
HANDLE TYPE	Bar	DEFROSTING DEVICE	SHEATH HEATER	
INNER CASE	ABS Resin	LAMP	REFRIGERATOR	60 W (2 EA)
INSULATION	Polyurethane Foam		FREEZER	60 W (1 EA)

DIMENSIONS



Description		LFC21770**	LFC25770**
Depth w/ Handles	A	30 in.	34 1/4 in.
Depth w/o Handles	B	27 1/2 in.	31 3/4 in.
Depth w/o Door	C	23 5/8 in.	27 7/8 in.
Depth (Total with Door Open)	D	42 1/4 in.	46 1/2 in.
Height to Top of Case	E	68 3/8 in.	68 3/8 in.
Height to Top of Door Hinge	F	69 3/4 in.	69 3/4 in.
Width	G	35 3/4 in.	35 3/4 in.
Width (door open 90 deg. w/o handle)	H	39 1/4 in.	39 1/4 in.
Width (door open 90 deg. w/ handle)	I	44 1/4 in.	44 1/4 in.

2. PARTS IDENTIFICATION



3. DISASSEMBLY

3-1 DOOR

● Refrigerator door

1. Remove the top hinge cover and disconnect the wire harness.
2. Remove the ground screw.
3. Rotate the lever hinge and lift off hinge.
4. Lift off the refrigerator door.
5. Replace in the reverse order.

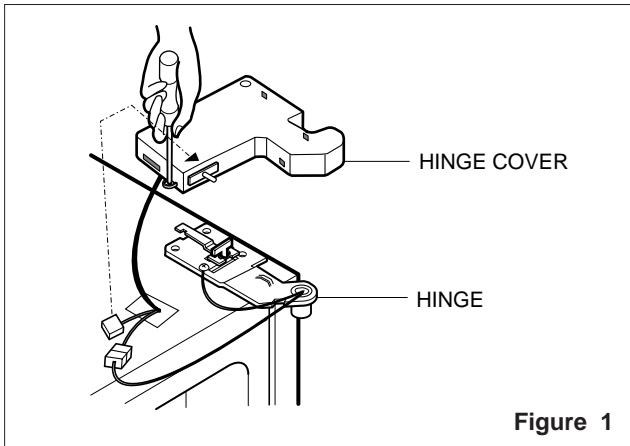


Figure 1

● Door gasket removal

1. Remove door frame cover

Starting at top of cover and working down, snap cover out and away from door.

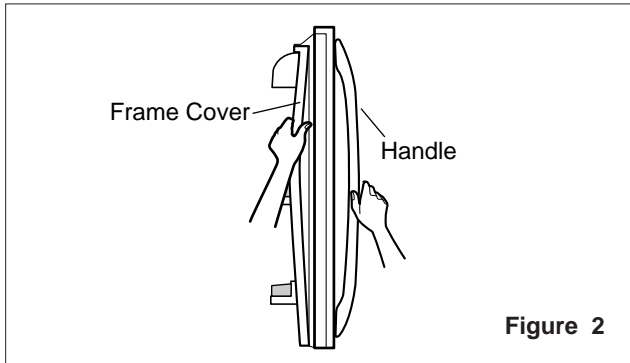


Figure 2

2. Remove gasket bracket clips

There are two clips on each door. Start bracket removal near one of the middle clips.

- 1) Pull gasket back to expose gasket bracket clip and door frame.
- 2) Insert a flat tip screwdriver into seam between gasket bracket and door frame and pry back until clips snaps out.
- 3) Continue prying back along seam until all clips snap out.

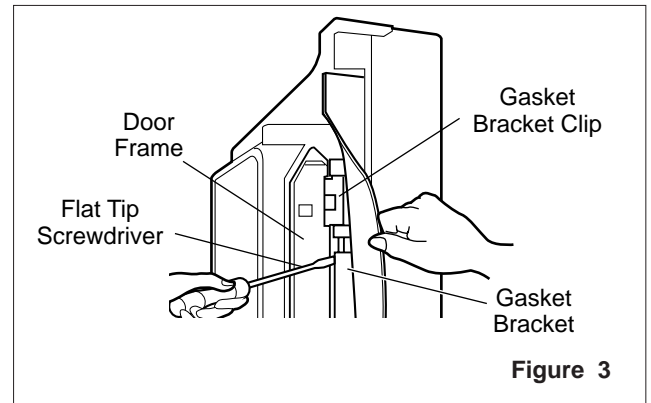


Figure 3

3. Remove gasket

Pull gasket free from gasket channel on the three remaining sides of door.

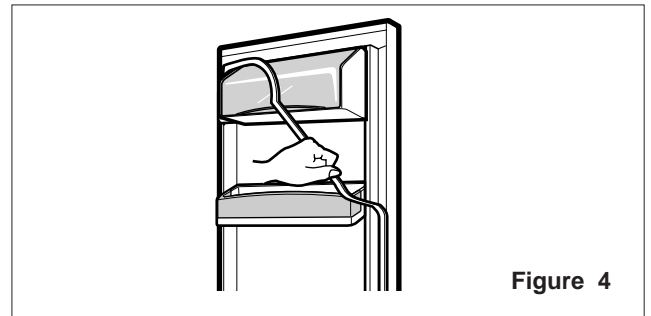


Figure 4

● Door gasket replacement

1. Insert gasket bracket clips

- 1) Insert gasket bracket edge beneath door frame edge.
- 2) Turn upper gasket bracket spring so that both spring ends are in the door channel.
- 3) Push in clip until you hear it snap securely into place.

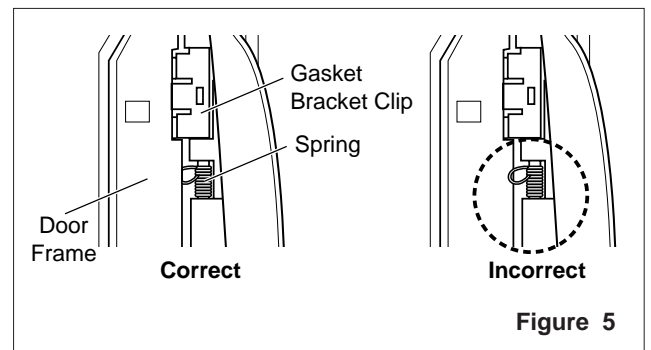


Figure 5

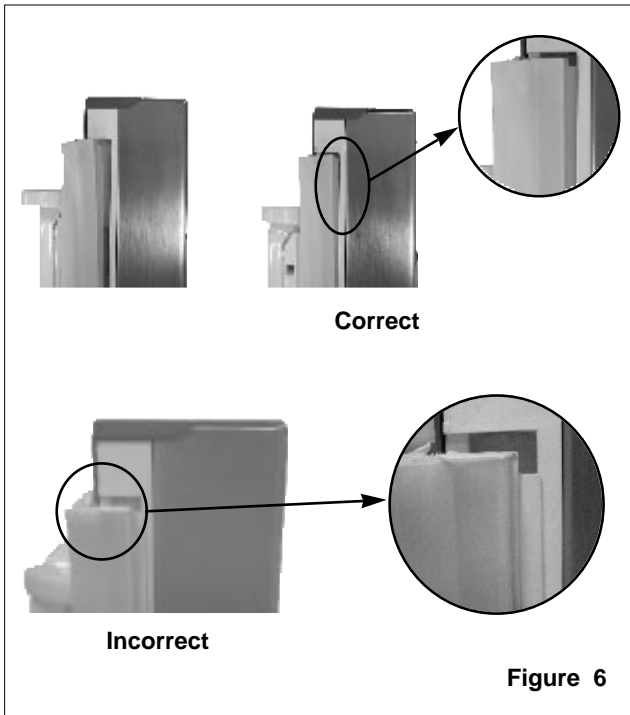
- 4) Push in remaining two clips until you hear each snap securely into place.

Note: Make sure that no part of gasket bracket edge protrudes from beneath door frame edge.

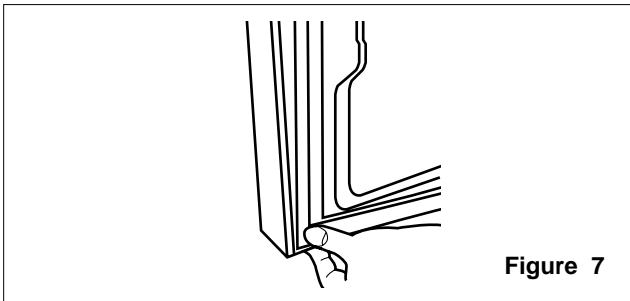
2. Insert gasket into channel

1) Snap gasket assembly into the door bracket.

Inserting the gasket assembly into the bracket door

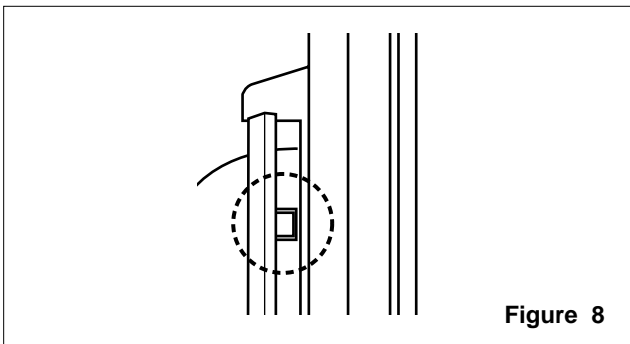


2) Press gasket into channels on the three remaining sides of door.



3. Replace door frame cover

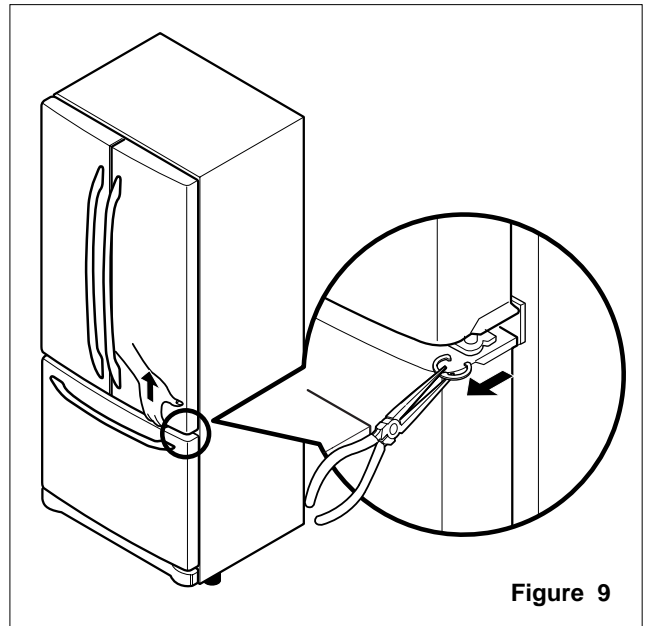
Starting at top of cover and working down, snap the cover back into door.



3-2 DOOR ALIGNMENT

If the space between your doors is uneven, follow the instructions below to align the doors:

1. With one hand, lift the door you want to raise at middle hinge.
2. With other hand, use pliers to insert snap ring as shown.
3. Insert additional snap rings until the doors are aligned. (Three snap rings are provided with the product.)



3-3 HOW TO REMOVE AND REINSTALL THE PULLOUT DRAWER

3-3-1 FOLLOW STEPS TO REMOVE

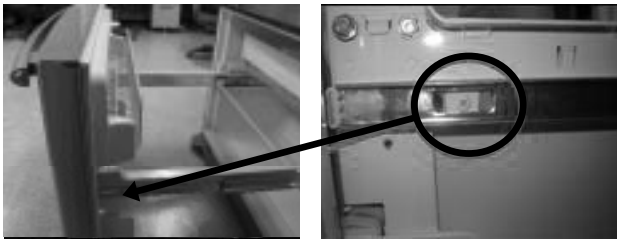
Step 1) Open the freezer door.



Step 2) Remove the lower basket.



Step 3) Remove the two screws from the guide rails (one from each side).



Step 4) Lift the freezer door up to unhook it from the rail support and remove. Pull both rails to full extension.

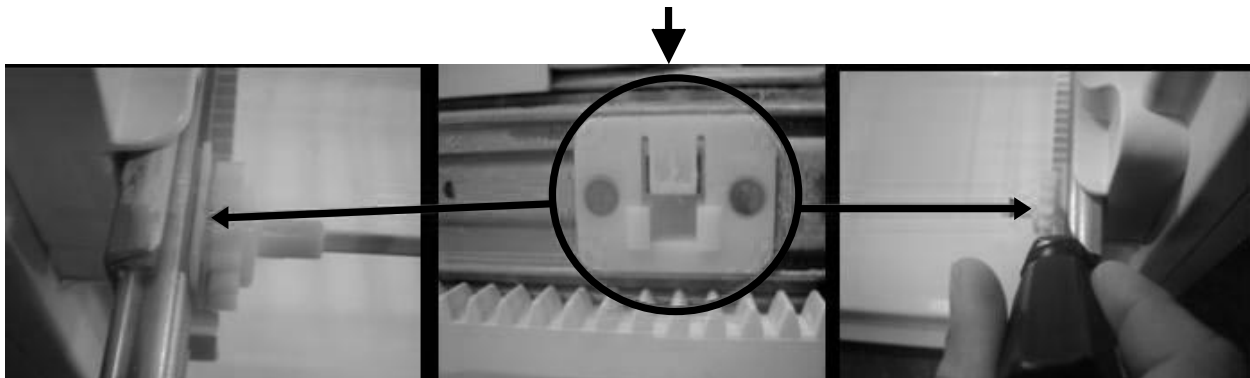


Step 5) First: Remove the gear from the left side first by releasing the tab behind the gear, place a screwdriver between the gear and the tab and pull up on the gear.

Second: Remove the center rail.

Third: Remove the gear from the right side by following the same steps for the left side.

NOTE: THIS TAB MUST BE PUSHED IN TO RELEASE THE GEAR.



3-3-2 FOLLOW STEPS TO REINSTALL

Step 1) Reinstall the right side gear into the clip.



Step 2) Insert the rail into the right side gear. Gears do **not** need to be perpendicular to each other.



Step 3) Insert the rail into the left side gear, and insert the gear into the clip.



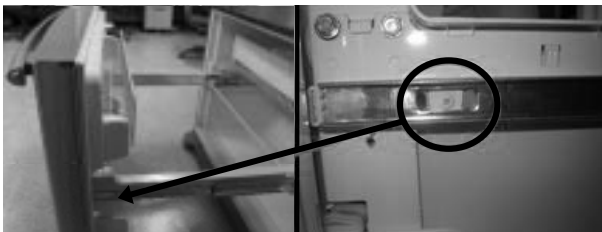
Step 4) The rail system will align itself by pushing the rails all the way into the freezer section. Pull the rails back out to full extension.

Step 5) Reinstall the freezer door by inserting the rail tabs into the guide rail.



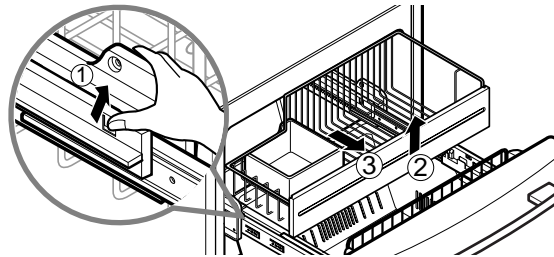
Step 6) Reinstall the two screws into the guide rails (one from each side).

Step 7) Reinstall the lower basket, and close the freezer door.

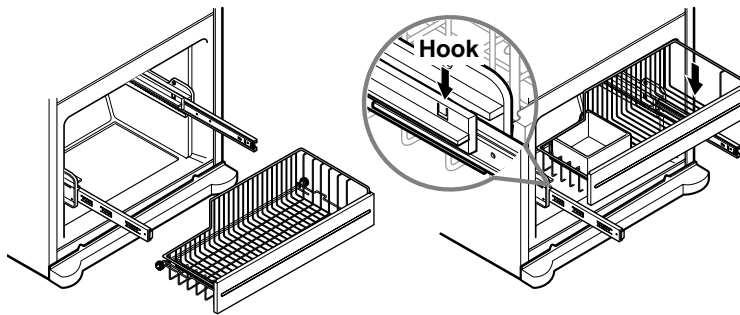


3-3-3 PULL OUT DRAWER

To separate the drawer, push the front left and right hooks in ① direction to pull up and remove. Then gently lift the gear part of rear left and right side of the drawer and pull it out in ③ direction.



To install, reposition the gear part of rear left and right side of the drawer after pulling out both rails as much as possible, and gently push down both left and right side while checking the hook on the front part.



4. ADJUSTMENT

4-1 COMPRESSOR

4-1-1 Role

The compressor intakes low temperature and low pressure gas from the evaporator of the refrigerator and compresses this gas to high-temperature and high-pressure gas. It then delivers the gas to the condenser.

4-1-2 Composition

The compressor includes overload protection. The PTC starter and OLP (overload protector) are attached to the outside of the compressor. Since the compressor is manufactured to tolerances of 1 micron and is hermetically sealed in a dust and moisture-free environment, use extreme caution when repairing it.

4-1-3 Note for usage

- (1) Be careful not to allow over-voltage and over-current.
- (2) If compressor is dropped or handled carelessly, poor operation and noise may result.
- (3) Use proper electric components appropriate to the particular compressor in your product.
- (4) Keep compressor dry.

If the compressor gets wet (in the rain or a damp environment) and rust forms in the pin of the Hermetic Terminal, poor operation and contact may result. If the hermetic connector rusts out or fails, refrigerant and oil will be expelled into the contact area, probably resulting in smoke and fire.

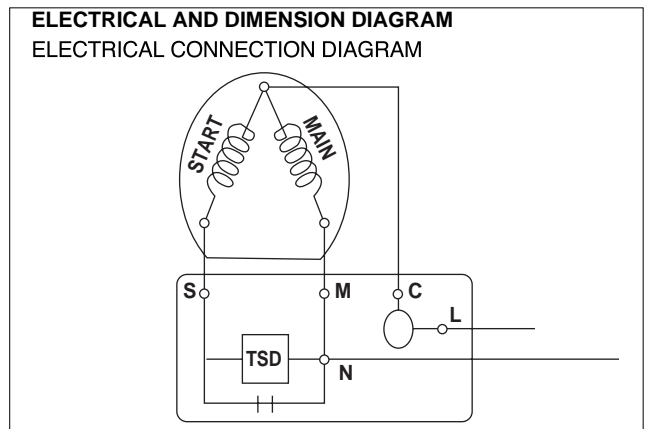
- (5) When replacing the compressor, be careful that dust, humidity, and soldering flux don't contaminate the inside of the compressor. Contamination in the cylinder may cause noise, improper operation or even cause it to lock up.

4-2 TSD STARTER

- The TSD must not be applied to refrigeration systems with defrosting electrical resistance or any other component in parallel to the thermostat. Systems with this configuration can maintain a residual voltage over the compressor when the thermostat is opened, obstructing the proper functioning of the TSD. It is vital for the TSD circuit and compressor to remain completely de-energized after opening the thermostat.
- Use of the fixing clamp is essential, as this prevents disconnection or bad TSD contact in relation to the compressor as well as to running capacitor in relation to the TSD. The ones that assemble it have to guarantee a perfect connection between the parts. Bad contacts and sparking can burn out the electronic circuit.
- The electronic circuit was designed taking the mandatory use of the running capacitor into consideration. The 115V version is rectangular box, assembling directly onto the TSD body.
- The plastic box was projected to offer protection against contamination and mechanical shock normally present in refrigeration system production lines.
- The TSD's internal components may undergo degradation when in contact with chemical elements such as Cl_2 , H_2S , NH_3 , SO_x , NO_x . Some plastic isolation of cables may release chemical elements when submitted to high temperature conditions. Thus, check if the isolation of the cables used on the terminal board are in accordance with this recommendation.

4-2-3 PTC-Applied circuit diagram

● Starting method for the motor



4-2-4 Reference

- The TSD was designed for the operation with a run capacitor and Embraco domestic compressor; any other application must be previously evaluated by Embraco's technical team.
- Embraco reserves the right to check the customer's handling of the manufacturing / assembly process, indicating possible adjustments should any be required.
- After replacement, the compressor and its accessories must have proper processing, and the components must be recycled according to the material group (ferrous, non-ferrous, polymers, oils, ...) directives. These recommendations are intended to minimize the adverse impacts that may be caused to the environment.

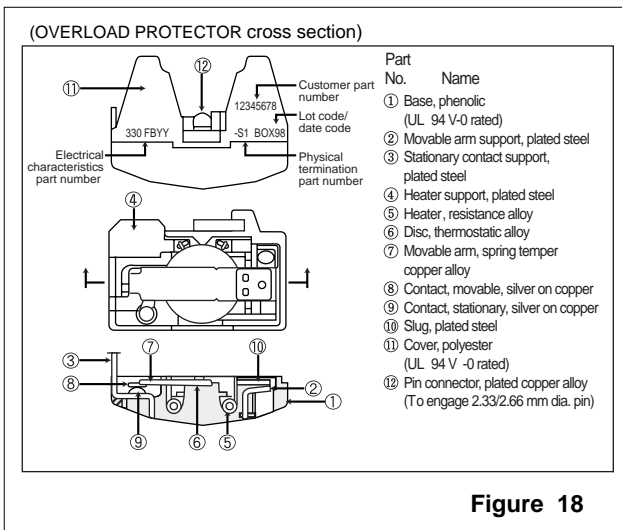
4-3 OLP (OVERLOAD PROTECTOR)

4-3-1 Definition of OLP

- (1) OLP (OVERLOAD PROTECTOR) is attached to the compressor and protects the motor by opening the circuit to the motor if the temperature rises and activating the bimetal spring in the OLP.
- (2) When high current flows to the compressor motor, the bimetal works by heating the heater inside the OLP, and the OLP protects the motor by cutting off the current flowing to the compressor motor.

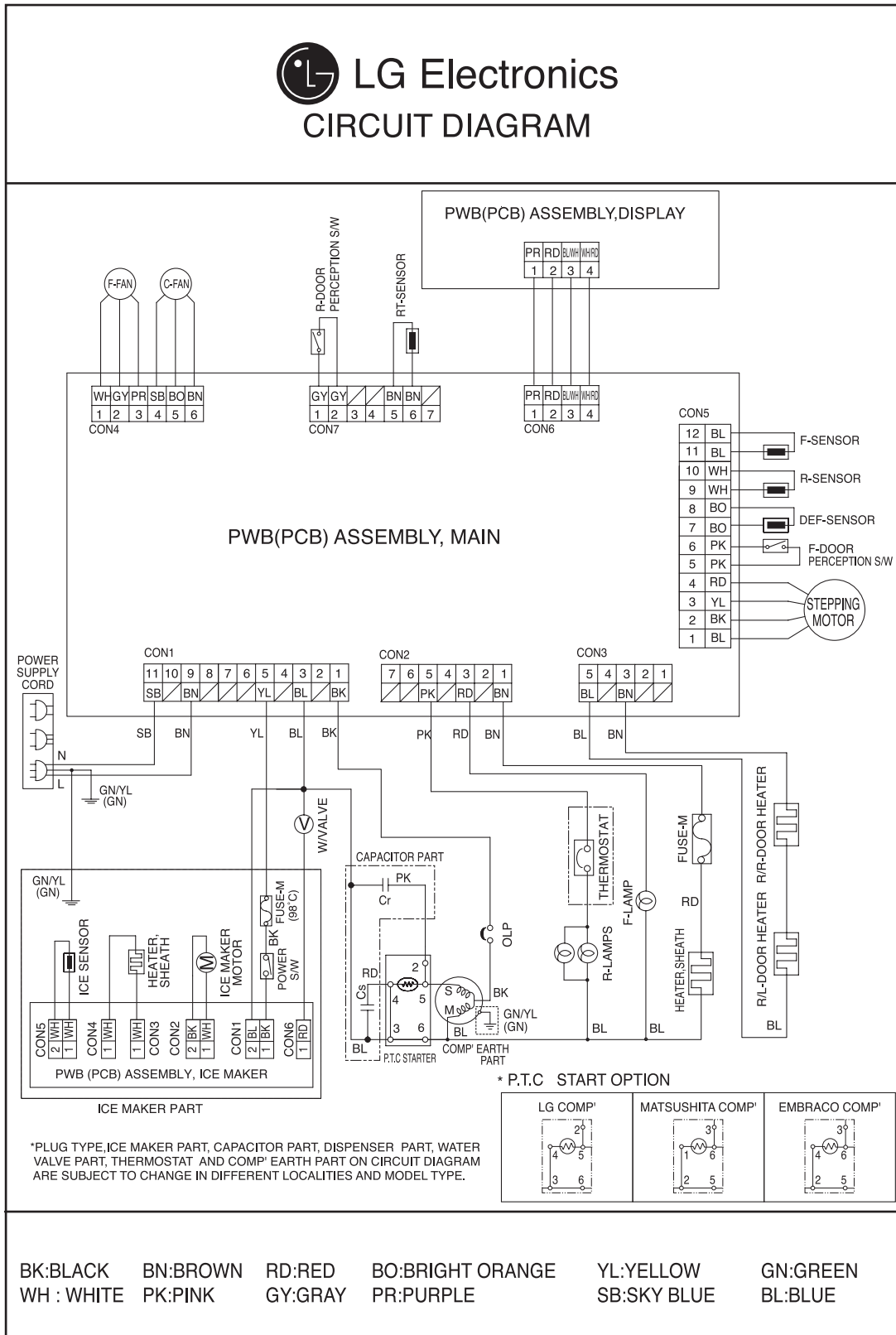
4-3-2 Role of the OLP

- (1) The OLP is attached to the sealed compressor used for the refrigerator. It prevents the motor coil from being started in the compressor.
- (2) For normal operation of the OLP, do not turn the adjustment screw of the OLP in any way.



5. CIRCUIT DIAGRAM

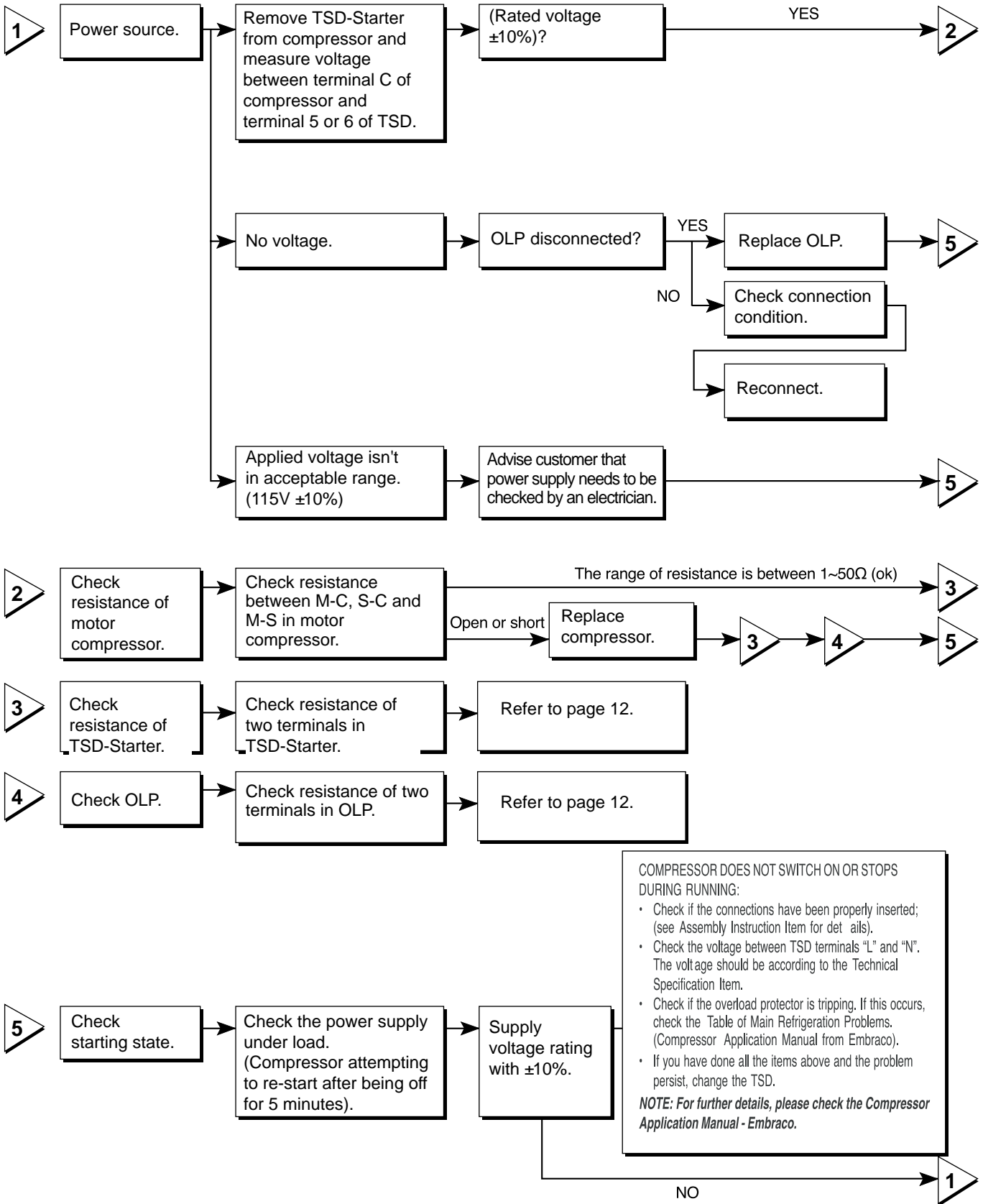
BETTER MODEL



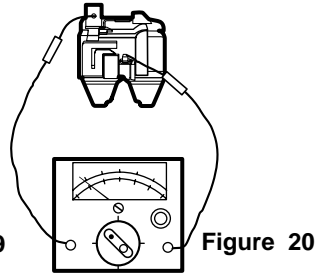
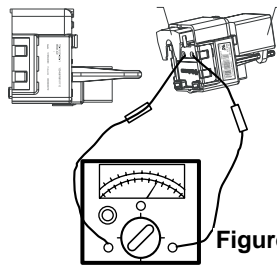
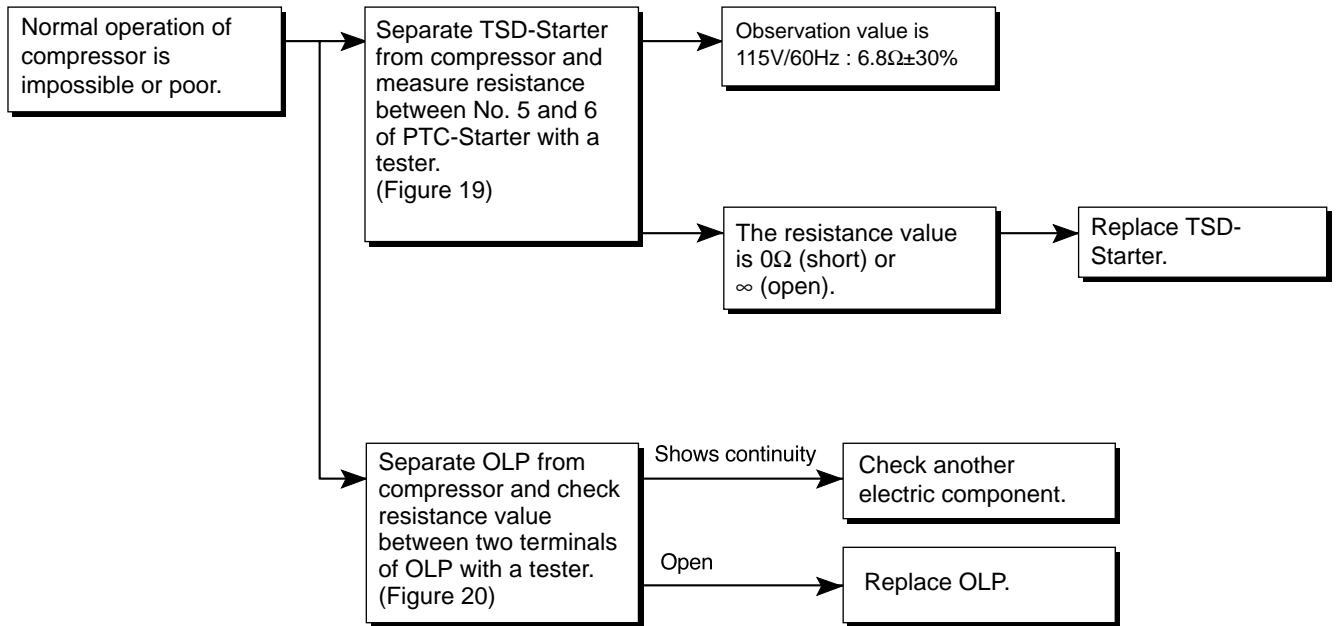
BK:BLACK BN:BROWN RD:RED BO:BRIGHT ORANGE YL:YELLOW GN:GREEN
 WH : WHITE PK:PINK GY:GRAY PR:PURPLE SB:SKY BLUE BL:BLUE

6. TROUBLESHOOTING

6-1 COMPRESSOR AND ELECTRIC COMPONENTS

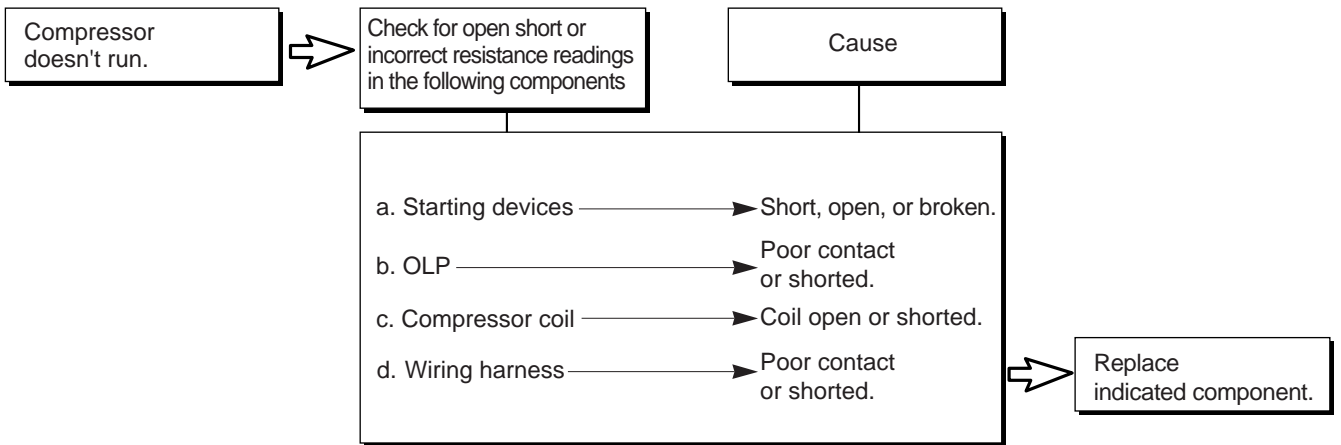


6-2 TSD AND OLP

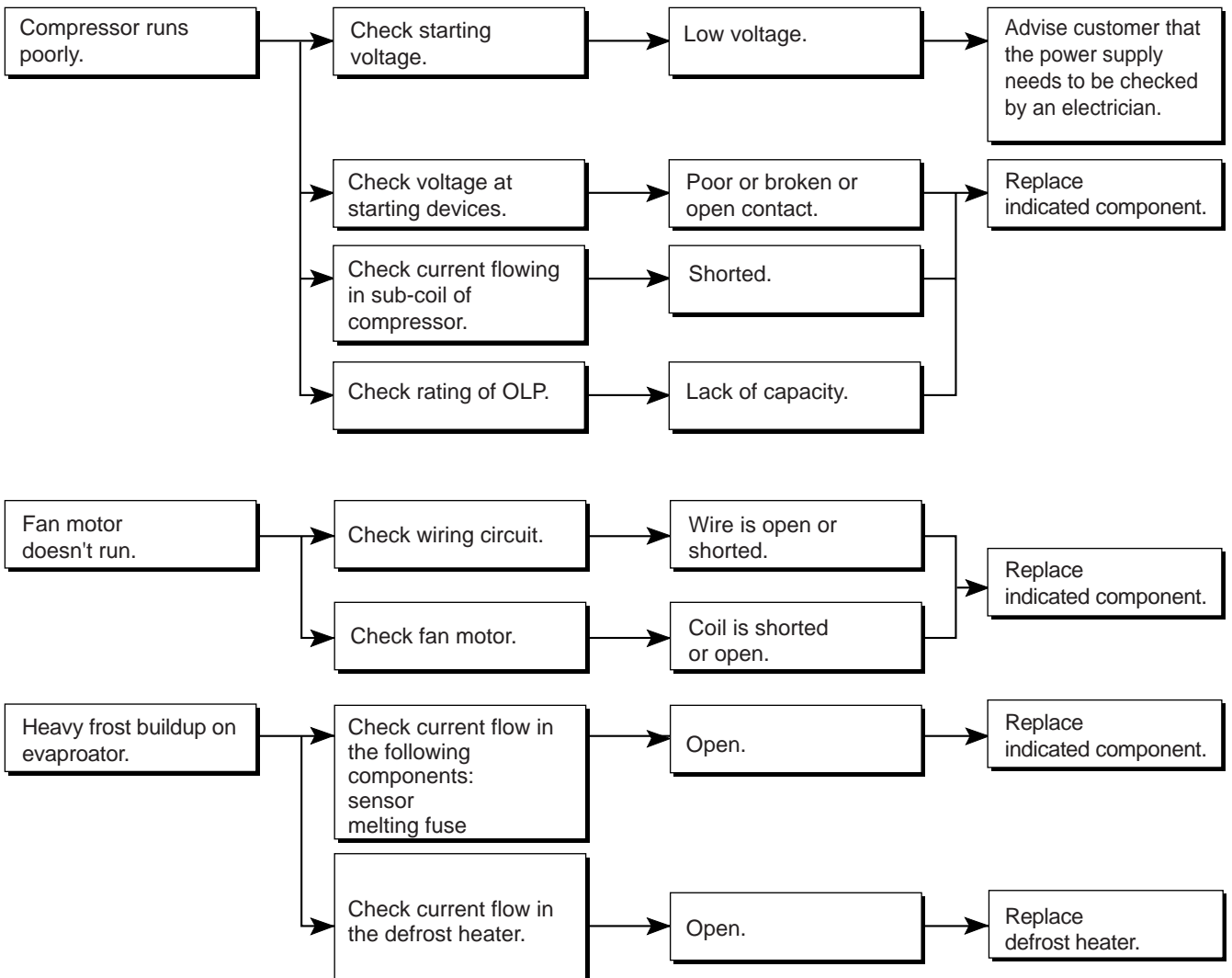


6-3 OTHER ELECTRICAL COMPONENTS

▼ Not cooling at all



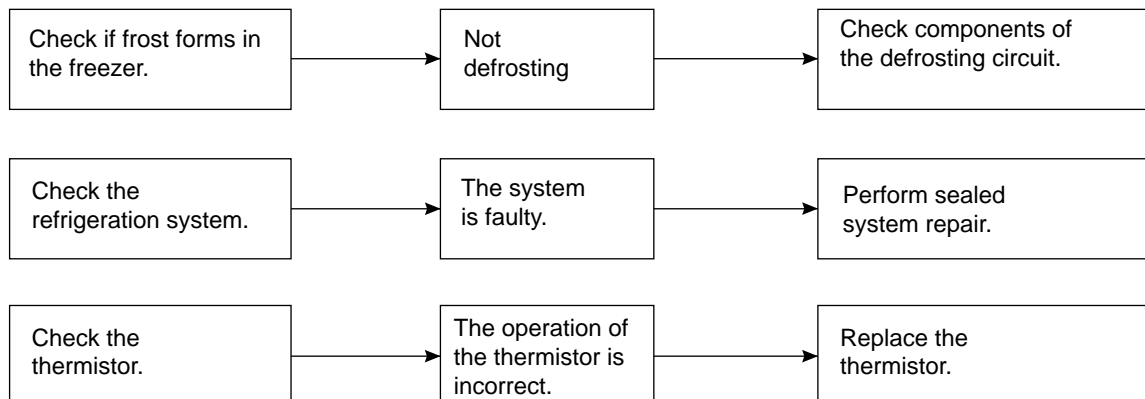
▼ Poor cooling performance



6-4 SERVICE DIAGNOSIS CHART

COMPLAINT	POINTS TO BE CHECKED	REMEDY
No Cooling.	<ul style="list-style-type: none"> Is the power cord unplugged from the outlet? Check if the power switch is set to OFF. Check if the fuse of the power switch is shorted. Measure the voltage of the power outlet. 	<ul style="list-style-type: none"> Plug into the outlet. Set the switch to ON. Replace the fuse. If the voltage is low, correct the wiring.
Cools poorly.	<ul style="list-style-type: none"> Check if the unit is placed too close to the wall. Check if the unit is placed too close to the stove, gas cooker, or in direct sunlight. Is the ambient temperature too high or the room door closed? Check if food put in the refrigerator is hot. Did you open the door of the unit too often or check if the door is sealed properly? Check if the Control is set to warm position. 	<ul style="list-style-type: none"> Place the unit about 4 inches (10 cm) from the wall. Place the unit away from these heat sources. Lower the ambient temperature. Put in foods after they have cooled down. Don't open the door too often and close it firmly. Set the control to recommended position.
Food in the Refrigerator is frozen.	<ul style="list-style-type: none"> Is food placed in the cooling air outlet? Check if the control is set to colder position. Is the ambient temperature below 5°C? 	<ul style="list-style-type: none"> Place foods in the high-temperature section. (front part) Set the control to recommended position. Set the control to warm position.
Condensation or ice forms inside the unit.	<ul style="list-style-type: none"> Is liquid food sealed? Check if food put in the refrigerator is hot. Did you open the door of the unit too often or check if the door is sealed properly? 	<ul style="list-style-type: none"> Seal liquid foods with wrap. Put in foods after they have cooled down. Don't open the door too often and close it firmly.
Condensation forms in the Exterior Case.	<ul style="list-style-type: none"> Check if the ambient temperature and humidity of the surrounding air are high. Is there a gap in the door gasket? 	<ul style="list-style-type: none"> Wipe moisture with a dry cloth. It will disappear in low temperature and humidity. Fill up the gap.
There is abnormal noise.	<ul style="list-style-type: none"> Is the unit positioned in a firm and even place? Are any unnecessary objects placed behind of the unit? Check if the drip tray is not firmly attached. Check if the cover of the compressor enclosure in the lower front side is taken out. 	<ul style="list-style-type: none"> Adjust the leveling screw, and position the refrigerator in a firm place. Remove the objects. Fix the drip tray firmly in the original position. Place the cover in its original position.
Door does not close well.	<ul style="list-style-type: none"> Check if the door gasket is dirty with an item like juice. Is the refrigerator level? Is there too much food in the refrigerator? 	<ul style="list-style-type: none"> Clean the door gasket. Position in a firm place and level the leveling screw. Make sure food stored in shelves does not prevent the door from closing.
Ice and foods smell unpleasant.	<ul style="list-style-type: none"> Check if the inside of the unit is dirty. Are foods with a strong odor unwrapped? The unit smells of plastic. 	<ul style="list-style-type: none"> Clean the inside of the unit. Wrap foods that have a strong odor. New products smell of plastic, but this will go away after 1-2 weeks.

● Other possible problems:

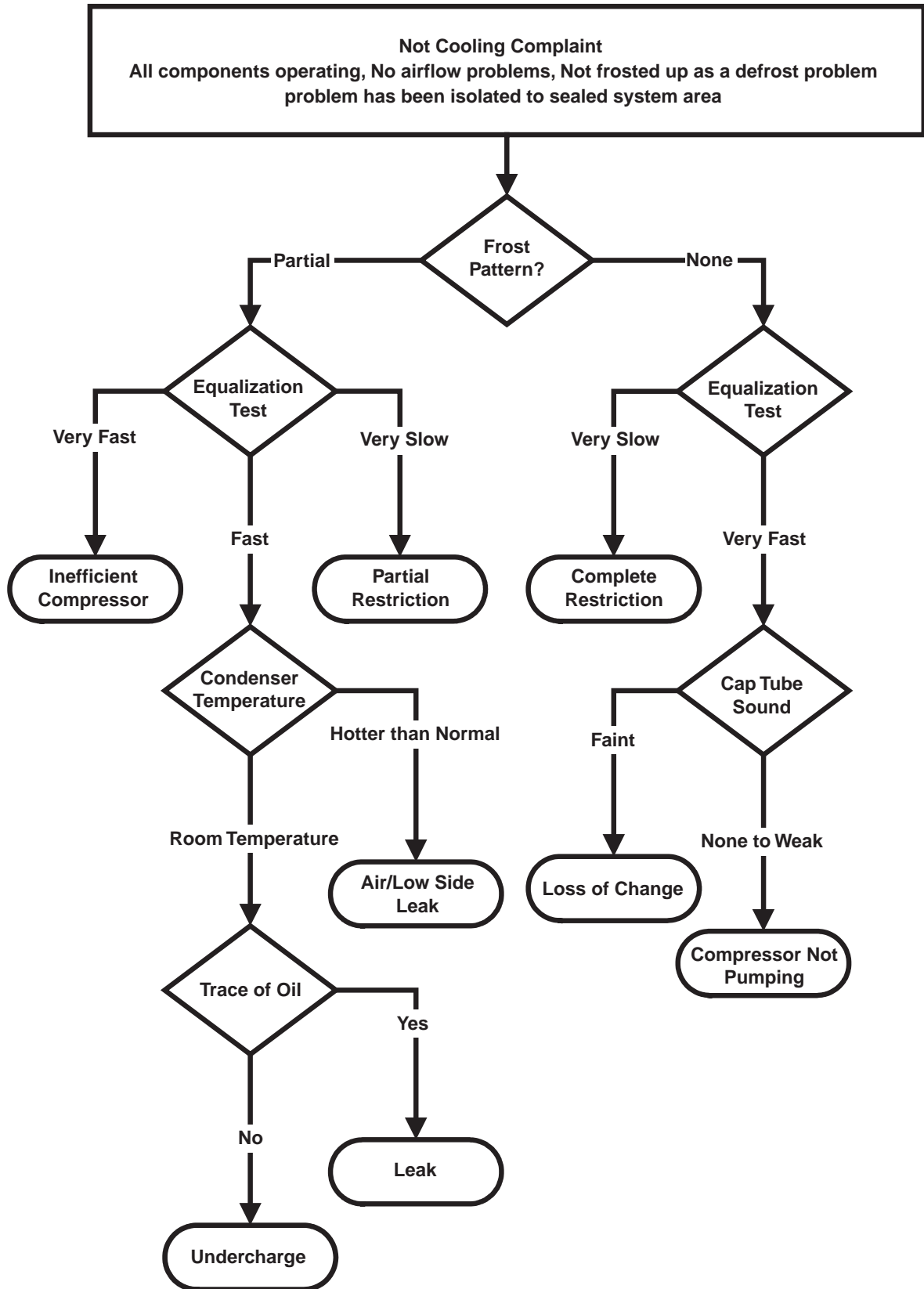


6-5 REFRIGERATION CYCLE

▼ Troubleshooting Chart

CAUSE		STATE OF THE UNIT	STATE OF THE EVAPORATOR	TEMPERATURE OF THE COMPRESSOR	REMARKS
LEAKAGE	PARTIAL LEAKAGE	Freezer compartment and refrigerator don't cool normally.	Low flowing sound of refrigerant is heard and frost forms in inlet only.	A little higher than ambient temperature.	<ul style="list-style-type: none"> Refrigerant level is low due to a leak. Normal cooling is possible by restoring the normal amount of refrigerant and repairing the leak.
	COMPLETE LEAKAGE	Freezer compartment and refrigerator don't cool normally.	Flowing sound of refrigerant is not heard and frost isn't formed.	Equal to ambient temperature.	<ul style="list-style-type: none"> No discharging of refrigerant. Normal cooling is possible by restoring the normal amount of refrigerant and repairing the leak.
CLOGGED BY DUST	PARTIAL CLOG	Freezer compartment and refrigerator don't cool normally.	Flowing sound of refrigerant is heard and frost forms in inlet only.	A little higher than ambient temperature.	<ul style="list-style-type: none"> Normal discharging of the refrigerant. The capillary tube is faulty.
	WHOLE CLOG	Freezer compartment and refrigerator don't cool.	Flowing sound of refrigerant is not heard and frost isn't formed.	Equal to ambient temperature.	<ul style="list-style-type: none"> Normal discharging of the refrigerant.
MOISTURE CLOG		Cooling operation stops periodically.	Flowing sound of refrigerant is not heard and frost melts.	Lower than ambient temperature.	<ul style="list-style-type: none"> Cooling operation restarts when heating the inlet of the capillary tube.
DEFECTIVE COMPRESSION	COMP-RESSION	Freezer and refrigerator don't cool.	Low flowing sound of refrigerant is heard and frost forms in inlet only.	A little higher than ambient temperature.	<ul style="list-style-type: none"> Low pressure at high side of compressor due to low refrigerant level.
	NO COMP-RESSION	No compressing operation.	Flowing sound of refrigerant is not heard and there is no frost.	Equal to ambient temperature.	<ul style="list-style-type: none"> No pressure in the high pressure part of the compressor.

6-5-1 SEALED SYSTEM DIAGNOSIS

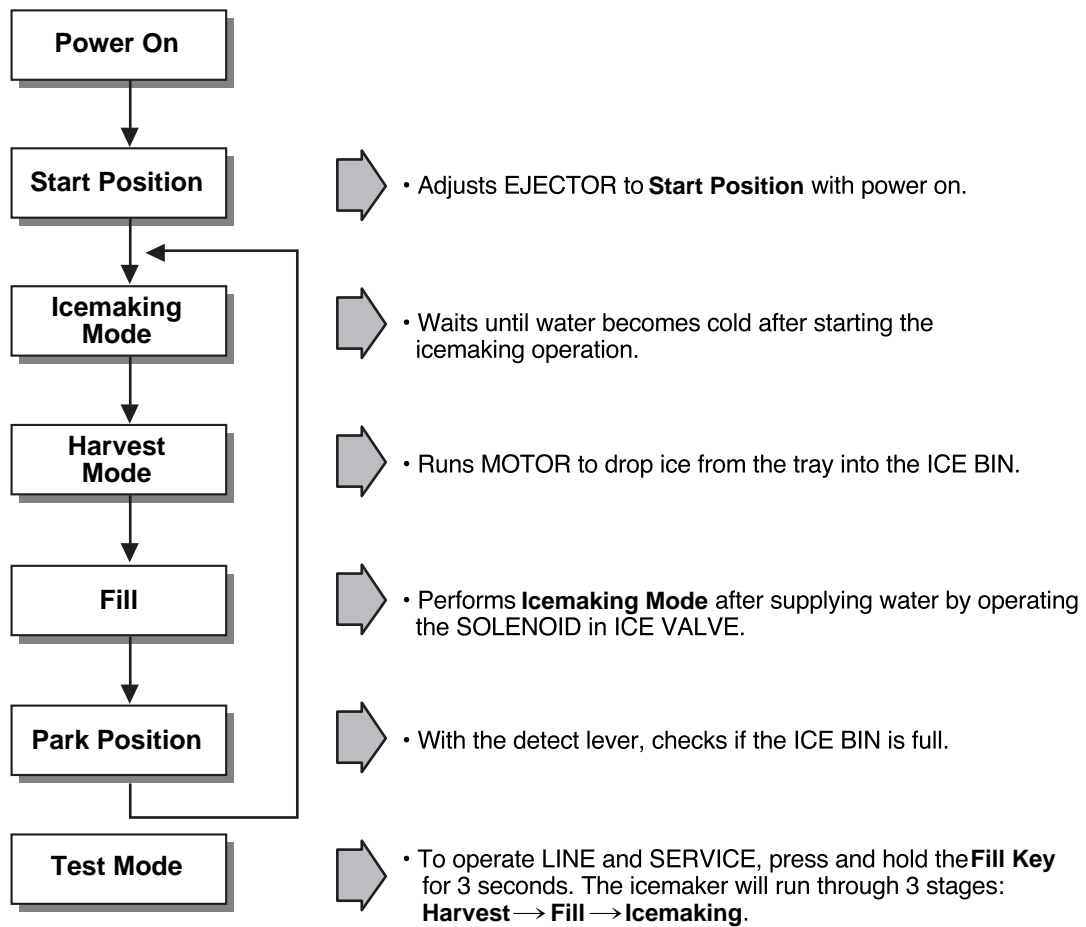


(The equalization test is trying to restart a compressor using a start kit after it has been operating.)

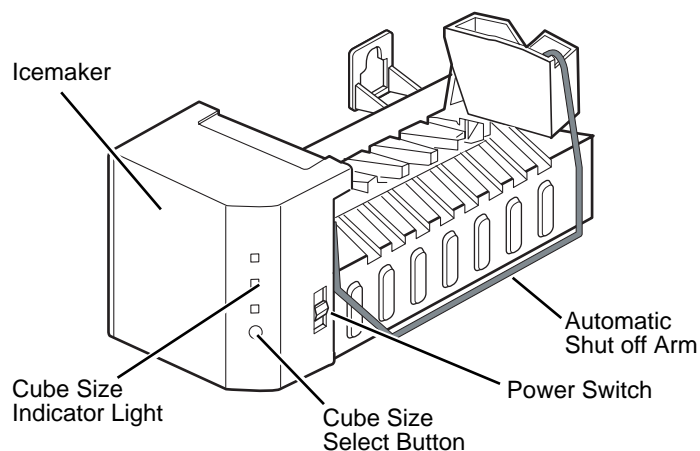
7. OPERATION PRINCIPLE AND REPAIR METHOD OF ICEMAKER

7-1 OPERATION PRINCIPLE

7-1-1 Operation Principle of Icemaker



1. Turning the Icemaker stop switch off (O) stops the icemaking function.
2. Setting the Icemaker switch to OFF and then turning it back on will reset the icemaker control.



7-2 ICE MAKER FUNCTIONS

7-2-1 Start Position

1. After POWER OFF or power outage, check the EJECTOR's position with MICOM initialization to restart.
2. How to check if it is in place:
 - Check **HIGH/LOW** signals from HALL SENSOR in MICOM PIN.
3. Control method to check if it is in place:
 - (1) EJECTOR is in place,
 - It is an initialized control, so the mode can be changed to ice making control.
 - (2) EJECTOR isn't in place:
 - A. If EJECTOR is back in place within 2 minutes with the motor on, it is being initialized. If not, go to step B.
 - B. If the heater does not return to operate by turning on and off five times for 5 minutes in one cycle, it is being initialized. If not, it is not functioning. Repeat step B with heater and motor off.

7-2-2 Ice Making Mode

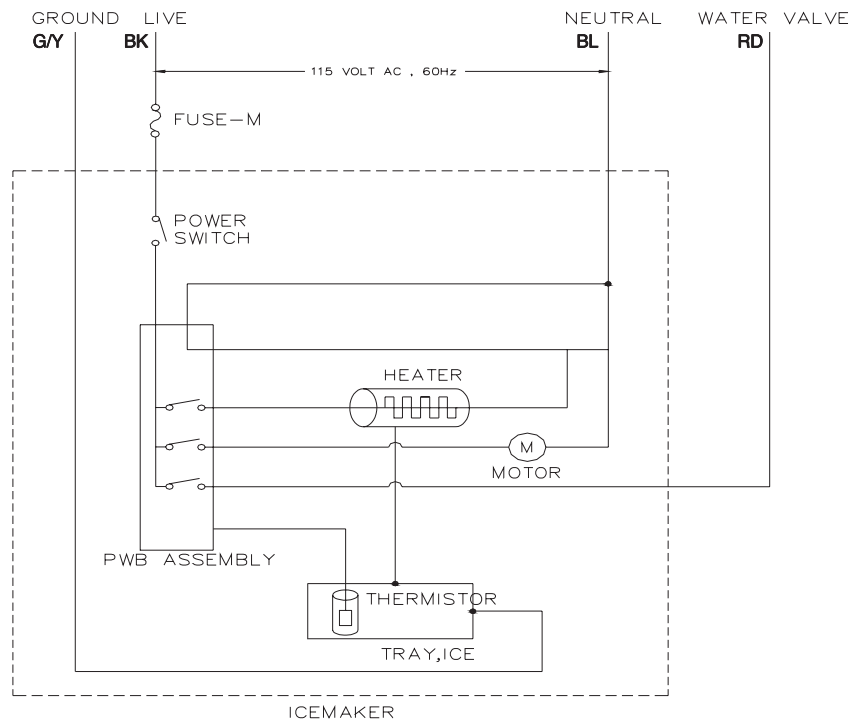
1. Icemaking refers to the freezing of supplied water in the ice trays. Complete freezing is assured by measuring the temperature of the Tray with icemaking SENSOR.
2. Icemaking starts after completion of the water fill operation.
3. The icemaking function is completed when the sensor reaches -7°C , 60 minutes after starting.

NOTE : After icemaker power is ON, the icemaker heater will be on for test for 9 sec.

7-2-3 Harvest Mode

1. Harvest (Ice removing) refers to the operation of dropping ices into the ice bin from the tray when icemaking has completed.
2. Harvest mode:
 - (1) The Heater is ON for 30 seconds, then the motor starts.
 - (2) Harvest mode is completed if it reaches start position again while Heater & Motor are on at the same time.
 - A. ice bin is full : the motor, the heater and the ejector will not operate.
 - B. ice bin is not full : The EJECTOR rotates once to open for ice.

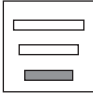


NOTE : If the EJECTOR does not rotate once within 5 minutes in status (2), separate heater control mode starts operating to prevent the EJECTOR from being constrained. (It is recommended that the user open for ice to return to normal mode.)



7-2-4 Fill/Park Position

1. Once a normal harvest mode has been completed, the water solenoid will be activated.
2. The amount of water is adjusted by pressing the fill key repeatedly. This changes the time allowed for fill as illustrated in the table below.

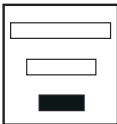

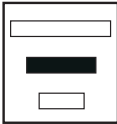


Water supply amount table

STAGE	TIME TO SUPPLY	INDICATIONS	REMARKS
1	6 sec.		The water amount will vary depending on the water control switch setting, as well as the water pressure of the connected water line.
2	7 sec.		
3	8 sec.		

7-2-5 Function TEST

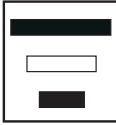
1. This is a compulsory operation for test, service, cleaning, etc. It is operated by pressing and holding the fill key for 3 seconds.
2. The test works only in the icemaking mode. It cannot be entered from the harvest or fill mode. (If there is an ERROR, it can only be checked in the test mode.)
3. **Caution!** If the test is performed before water in the icemaker is frozen, the ejector will pass through the water. When the fill mode begins (stage 4), unless the water supply has been shut off, added water will overflow into the ice bin. If the control doesn't operate normally in the test mode, check and repair as needed.
4. After water is supplied, the normal cycle is followed: **icemaking** → **harvest** → **fill** → **park position**.
5. Five seconds after stage 5 is completed, the icemaker returns to MICOM control. The time needed to supply water resets to the pre-test setting.

< 5 stage of diagnosis >

STAGE	ITEMS	INDICATOR	REMARKS
1	HEATER		Five seconds after heater starts, heater will go off if temperature recorded by sensor is 50°F(10°C) or lever is in up position.
2	MOTOR		Five seconds after heater starts, you can confirm that motor is moving.
3	HALL IC I (detection of position)		You can confirm hall ic detection of position.
4	VALVE		Two seconds after detection of initial position, you can confirm that valve is on.
5	HALL IC II (detection of full-filled Ice)		You can check whether the Hall IC is sensing a full ice condition.(If there is a full-filled error, the fifth stage would not be progressed)
6	Reset	Mark previous status on TEST mode	Five seconds after fifth stage is completed, the icemaker resets to initial status.

7-3 DEFECT DIAGNOSIS FUNCTION

7-3-1 ERROR CODE on water supply control panel at Ice Maker

No	ITEM	ERROR CODE	CONTENTS	REMARKS
1	Normal	Mark time to supply	None	Display switch operates properly
2	Ice-Making Sensor malfunction		Open or short-circuited wire	Make sure that the wire on each sensor is connected.

* ERROR indicators in table can be checked only on TEST mode.

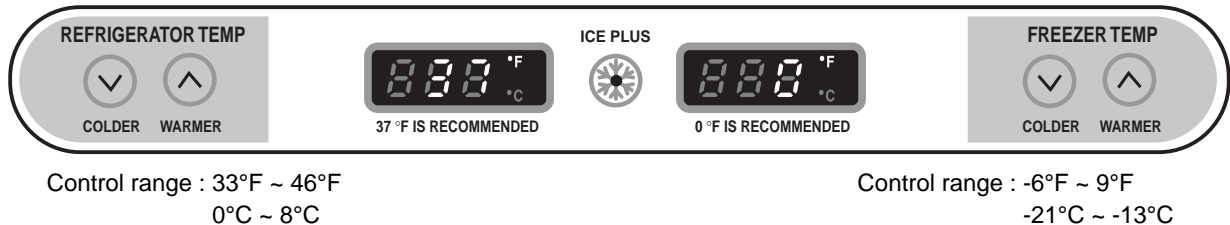
8. DESCRIPTION OF FUNCTION & CIRCUIT OF MICOM

8-1 FUNCTION

8-1-1 Function

1. When the appliance is plugged in, it defaults to 37°F for the refrigerator and 0°F for the freezer.
You can adjust the refrigerator and the freezer control temperature by pressing the ADJUST button.
2. When the power is initially applied or restored after a power failure, it is automatically set to 37 & 0.

Best Model



8-1-2 How to Change the Temperature Mode to °F/°C

1. The display temperature mode can be changed from °F to °C or °C to °F by pressing and holding the FRZ TEMP and the COLDER key of REF TEMP keys at the same time for over five seconds
2. The initial setting is °F. Whenever the mode is changed, the LED lights are changed.

8-1-3 Control of freezer fan motor

1. Freezer fan motor runs at either regular or high speed.(2,400 or 2,700 rpm.)
2. High RPM is used when electricity is first on, for ICE PLUS, and when refrigerator is overloaded.
Standard RPM is used for normal usage.
3. The fan motor is stopped when any door is opened.

8-1-4 ICE PLUS

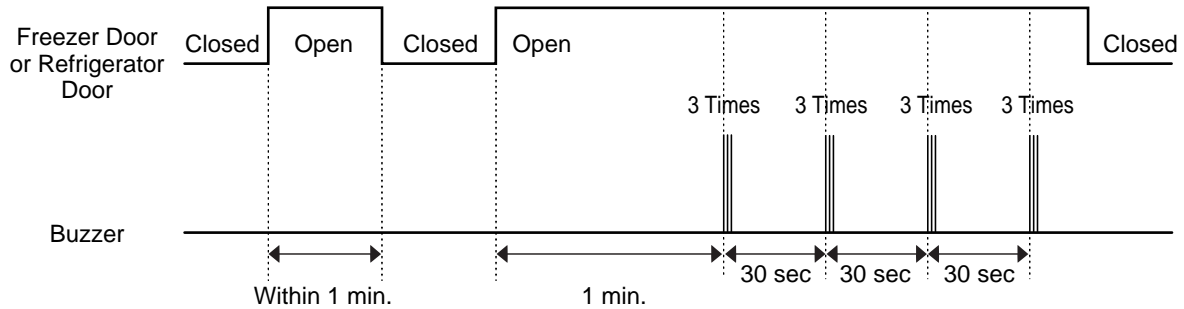
1. The purpose of this function is to intensify the cooling speed of freezer and to increase the amount of ice.
2. Whenever selection switch is pressed, selection/release, the icon will turn ON or OFF.
3. If there is a power outage and the refrigerator is powered on again, ICE PLUS will be canceled.
4. To activate this function you need to press the ICE PLUS key and the icon will turn ON. This function will remain activated for 24 hours. The first three hours the compressor and freezer fan will be ON. The next 21 hours the freezer will be controlled at the lowest temperature. After 24 hours or if the ICE PLUS key is pressed again, the freezer will return to its previous temperature.
5. During the first 3 hours:
 - (1) Compressor and freezer fan (HIGH RPM) run continuously.
 - (2) If a defrost cycle begins during the first 90 minutes of ICE PLUS, the ICE PLUS cycle will complete its cycle after defrosting has ended. If the defrost cycle begins when ICE PLUS has run for more than 90 minutes, ICE PLUS will run for two hours after the defrost is completed.
 - (3) If ICE PLUS is pressed during defrost, ICE PLUS icon is on this function will start seven minutes after defrost is completed and it shall operate for three hours.
 - (4) If ICE PLUS is selected within seven minutes after compressor has stopped, the compressor (compressor delays seven minutes) will start after the balance of the delay time.
 - (5) The fan motor in the freezer compartment rotates at high speed during ICE PLUS.
6. For the rest of 21 hours, the freezer will be controlled at the lowest temperature.

8-1-5. REFRIGERATOR LAMP AUTO OFF

1. To protect the risk of lamp heat, when the refrigerator door is opened for 7 minutes, the refrigerator lamp will be turned off automatically.

8-1-6 Alarm for Open Door

1. This feature sounds a buzzer when the freezer or refrigerator door is not closed within 1 minute after it is opened.
2. One minute after the door is opened, the buzzer sounds three times each for 1/2 second. These tones repeat every 30 seconds.
3. The alarm is cancelled when the freezer or the refrigerator is closed while the buzzer sounds.



8-1-7 Buzzer Sound

When the button on the front display is pushed, a Ding~ Dong~ sound is produced.

8-1-8 Defrosting (removing frost)

1. Defrosting starts each time the compressor running time reaches between 7~50 hours and 50 hours according to door open time.
2. For initial power on or for restoring power, defrosting starts when the compressor running time reaches 4 hours.
3. Defrosting stops if the sensor temperature reaches 8°C or more. If the sensor doesn't reach 8°C in 1 hours, the defrost mode is malfunctioning.
4. Defrosting won't function if its sensor is defective (wires are cut or short circuited)

8-1-9 Electrical Parts Are Turned On Sequentially

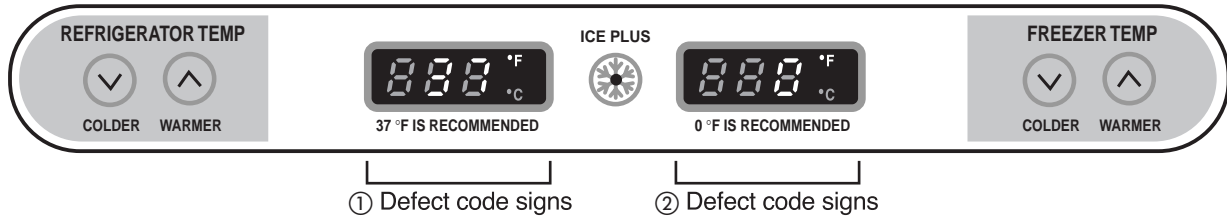
Electrical parts such as compressor, defrosting heater, freezer fan, etc. are turned on in the following order to prevent noise and parts damage. Several parts are started at the same time at initial power on and are turned off together when test is completed.

OPERATING		ORDERS				
Initial power on	Temperature of defrosting sensor is 45°C or more (when unit is newly purchased or when moved)	Power ON	in 0.5 sec. →	Compressor ON	in 0.5 sec. →	Freezer fan ON
	Temperature of defrosting sensor is lower than 45°C (during power outages or for service)	Power ON	in 0.5 sec. →	Defrosting heater ON	in 10 sec. →	Defrost heater OFF
		in 0.5 sec. →	Compressor ON	in 0.5 sec. →	Freezer fan ON	
	Reset to normal operation from test mode	Total load OFF	in 7 min. →	Compressor ON	in 0.5 sec. →	Freezer fan ON

8-1-10 Defect Diagnosis Function

1. Automatic diagnosis makes servicing the refrigerator easy.
2. When a defect occurs, the buttons will not operate; but the tones, such as ding, will sound.
3. When the defect CODE removes the sign, it returns to normal operation (RESET).
4. The defect CODE shows on the refrigerator and freezer display.

Best Model



ERROR CODE on display panel

NO	ITEM	ERROR CODE		CONTENTS	REMARKS
		①	②		
1	Failure of freezer sensor	Er	FS	Cut or short circuit wire	Inspect Connecting wires on each sensor
2	Failure of Refrigerator sensor	Er	rS	Cut or short circuit wire	
3	Failure of defrost sensor	Er	dS	Cut or short circuit wire	
4	Failure of Room Temperature sensor	When display check mode:Er rt		Cut or short circuit wire	
5	Failure of defrost mode	Er	dH	When defrost sensor doesn't reach 46°F(8°C) within 1 hours after starting defrost	Snapping of defrost heater or Temperature fuse, pull-out of connector (indicated minimum 1 hours after failure occurs)
6	Failure of BLDC Fan Motor at Freezing Compartment	Er	FF	If there is no fan motor signal for more than 65sec in operation fan motor	Poor motor, hooking to wires of fan, contact of structures to fan, snapping or short circuit of Lead wires
7	Failure of BLDC Fan Motor a Mechanical Room	Er	CF	If there is no fan motor signal for more than 65sec in operation fan motor	Poor motor, hooking to wires of fan, contact of structures to fan, snapping or short circuit of Lead wires
8	Failure of communication	Er	CO	If there is no signal for Communication between Main PCB and display PCB	Short or open of lead wire connecting between main PCB and display

Note 1) Room temperature sensor is not indicated on the failure indicating part but indicated in checking display. (When pressing for more than the warmer key of refrigerator temp and the warmer key of freezer temp for more than 1 second).

* LED check function: If press and hold the warmer key of refrigerator temp and the warmer key of freezer temp for a second, all display LED graphics on. When you release the buttons, the LED graphics displays the previous status.

8-1-11 TEST Mode

1. The test mode allows checking the PCB and the function of the product as well as finding out the defective part in case of an error.
2. The test mode is operated by pressing test button at main PCB controller.
3. While in the test mode, the function control button is not recognized, but the recognition tone (beep~) sounds.
4. After exiting the test mode, be sure to reset by unplugging and then plugging in the appliance.
5. If an error, such as a sensor failure, is detected while in the test mode, the test mode is cleared and the error code is displayed.
6. While an error code is displayed, the test mode will not be activated.

MODE	MANIPULATION	CONTENTS	REMARKS
TEST1	Push TEST S/W (in the main Board)once.	1) Continuous operation of the COMPRESSOR and the Freezer fan 2) Stepping DAMPER OPEN 3) Defrosting HEATER OFF 4) DISPLAY LED all ON	
TEST2	Push TEST S/W once in TEST MODE 1	1) Continuous operation of the COMPRESSOR and the Freezer fan 2) Stepping DAMPER CLOSE 3) Defrosting HEATER OFF 4) DISPLAY LED shows no. 2	
TEST3	Push TEST S/W once in TEST MODE 2	1) COMPRESSOR and the Freezer fan OFF 2) Stepping DAMPER CLOSE 3) Defrosting HEATER ON 4) DISPLAY LED shows no. 3	Reset if the Temperature of the Defrosting Sensor is 46°F(8°C)or more.
RESET	Push TEST S/W once in TEST MODE 3	Reset to the previously setting Before TEST MODE.	The compressor will Start after a 7-minute Delay.

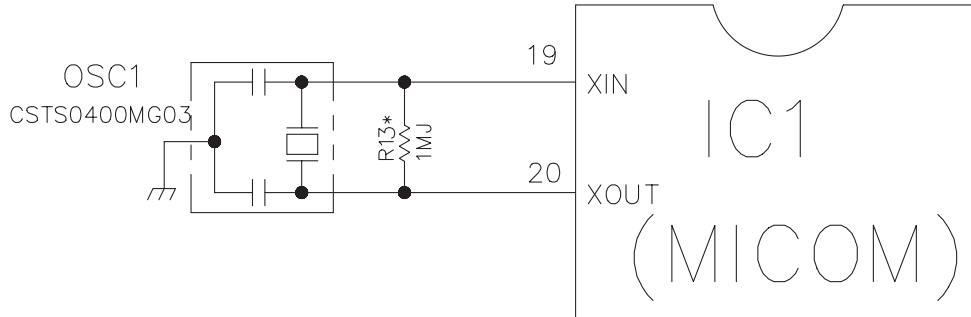
*** Freezer Fan Variable RPM Check:**

To check the variable rpm, press and hold the WARMER keys of both the REF TEMP and FRE TEMP. The fan speed will change (low to high or high to low) for 30 seconds before reverting to its original setting.

*** Demonstration (Display) MODE:**

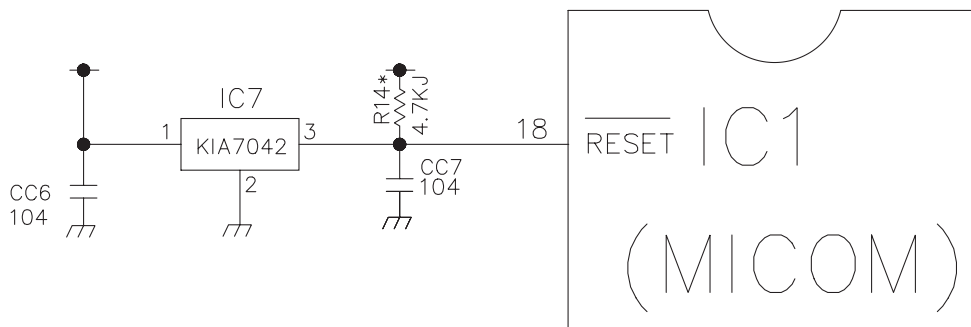
1. To enter this mode, raise either the Refrigerator or Freezer temperature to its highest setting. Then, press and hold WARMER Key for 5 seconds.
2. The LED panels will display OFF, to indicate that the compressor, circulating fan, damper, and defrost heater are not operating.
3. The open door alarm and the lamp auto-off feature will work normally and can be demonstrated.
4. To reset to normal operation, press and hold either WARMER key for about 5 seconds.

8-2-2 Oscillation Circuit



This circuit generates the base clock for calculating time and the synchro clock for transmitting data from and to the inside logic elements of the IC1 (MICOM). Be sure to use specified replacement parts, since calculating time by the IC1 may be changed. If changed, the OSC1 SPEC will not work.

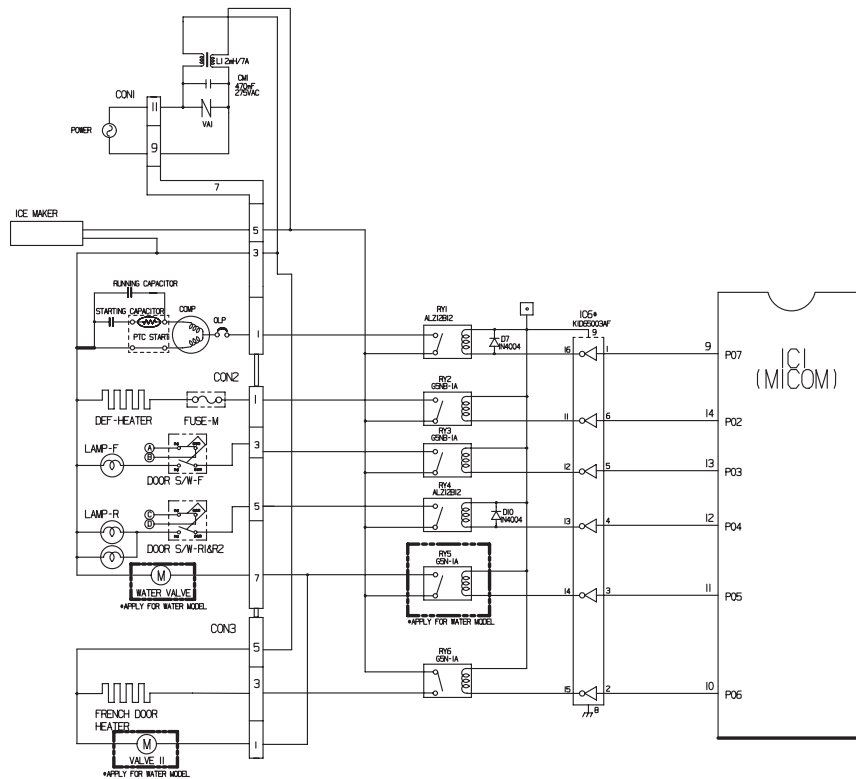
8-2-3 Reset Circuit



The RESET circuit allows all the functions to start at the initial conditions by initializing various parts, including the RAM inside the MICOM (IC1) when the power is initially supplied or the power supply to the MICOM is restored after a momentary power failure. For the initial 10ms of power supply, LOW voltage is applied to the MICOM RESET terminal. During a normal operation, 5V is applied to the RESET terminal. (If a malfunction occurs in the RESET IC, the MICOM will not operate.)

8-2-4 Load / Buzzer Drive & Open Door Detection Circuit

1. Load Drive Condition Check



Circuit	Pin Number	Pin Number	Output Voltage
Compressor	Con1 pin1	Con1 pin3	115 VAC
Defrost heater	Con2 pin1	Con1 pin3	115 VAC
F,R-lamp	Con2 pin,3,5	Con1 pin3	115 VAC
Frech Door Heater	Con3 pin3	Con1 pin3	115 VAC

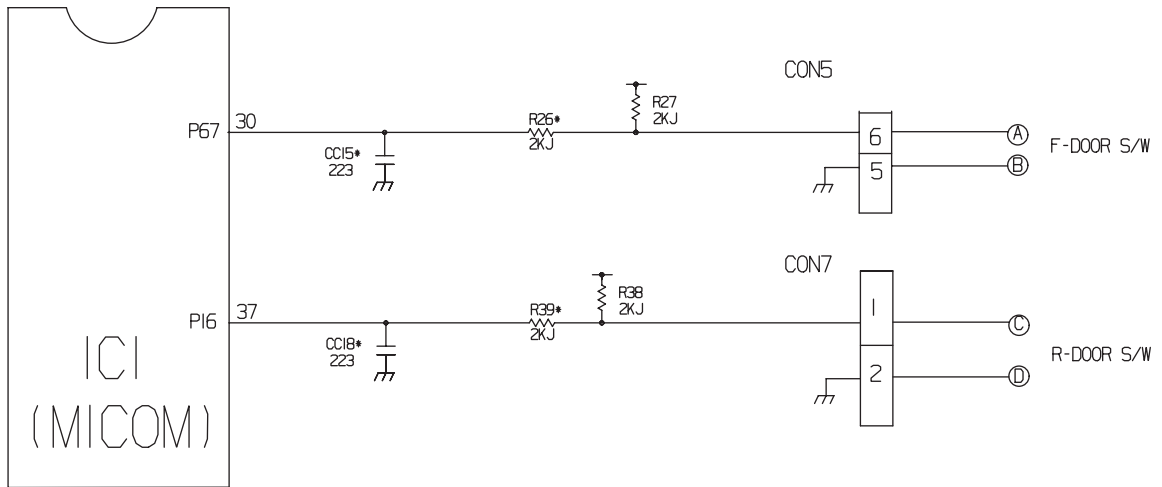
To measure outputs of the control board, check voltages between the pins for the following components:

2. Fan motor driving circuit (freezer compartment fan mechanical room)

1. This circuit makes standby power **0** by cutting off power supplied to ISs inside of the fan motor in the fan motor OFF.
2. This is a circuit to perform a temporary change of speed for the fan motor and applies DC voltage up to 7.5V ~ 16V to motor.
3. This circuit prevents over-driving the fan motor by cutting off power applied to the fan motor in the lock of fan motor by sensing the operation RPM of the fan motor.

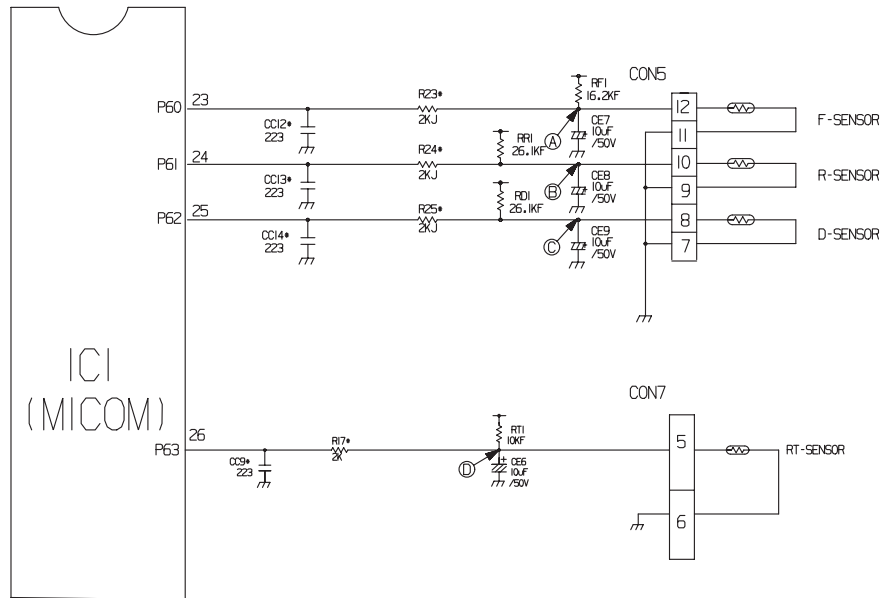
	F-FAN	C-FAN
Pin number	Pin 1&2 of con4	Pin 4&5 of con4
MOTOR OFF	2V or less	2V or less
MOTOR ON	13V~15V	13V~15V

j2. Open Door Detection Circuit Check



Measurement Location Freezer/ Refrigerator Door	(Pin 1 & 2 of con7) (Pin 5 & 6 of con5)
Closed	5 V
Open	0 V

8-2-5 Temperature Sensor Circuit

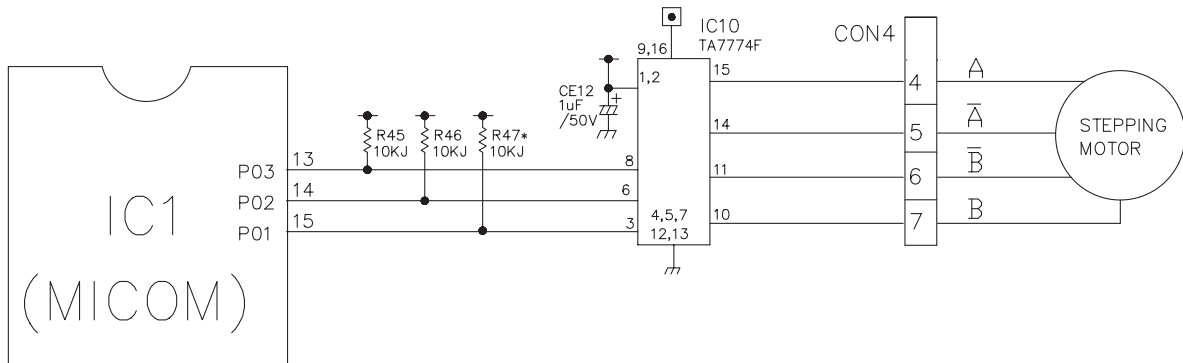


The upper circuit reads refrigerator temperature, freezer temperature, and defrost sensor temperature for defrosting and the indoor temperature for compensating for the surrounding temperature into MICOM. Opening or short state of each temperature sensor are as follows:

SENSOR	CHECK POINT	NORMAL (-30°C ~ 50°C)	SHORT-CIRCUITED	OPEN
Freezer sensor	POINT (A) Voltage	0.5 V ~ 4.5 V	0 V	5 V
Refrigerator sensor	POINT (B) Voltage			
Defrosting sensor	POINT (C) Voltage			
Room Temperature sensor	POINT (D) Voltage			

8-2-6 Refrigeration Compartment Stepping Motor Damper Circuit

* The circuit shown below is the damper circuit to regulate the refrigerator temperature.



8-3 RESISTANCE SPECIFICATION OF SENSOR

TEMPERATURE	RESISTANCE OF FREEZER SENSOR	RESISTANCE OF REFRIGERATOR & DEFROST SENSOR & ROOM SENSOR
- 20 °C	22.3 KΩ	77 KΩ
- 15 °C	16.9 KΩ	60 KΩ
- 10 °C	13.0 KΩ	47.3 KΩ
- 5 °C	10.1 KΩ	38.4 KΩ
0 °C	7.8 KΩ	30 KΩ
+ 5 °C	6.2 KΩ	24.1 KΩ
+ 10 °C	4.9 KΩ	19.5 KΩ
+ 15 °C	3.9 KΩ	15.9 KΩ
+ 20 °C	3.1 KΩ	13 KΩ
+ 25 °C	2.5 KΩ	11 KΩ
+ 30 °C	2.0 KΩ	8.9 KΩ
+ 40 °C	1.4 KΩ	6.2 KΩ
+ 50 °C	0.8 KΩ	4.3 KΩ

- The resistance of the SENSOR has a $\pm 5\%$ tolerance.
- Measure the resistance of the SENSOR after leaving it for over 3 minutes in the measuring temperature. This delay is necessary due to sensor response speed.

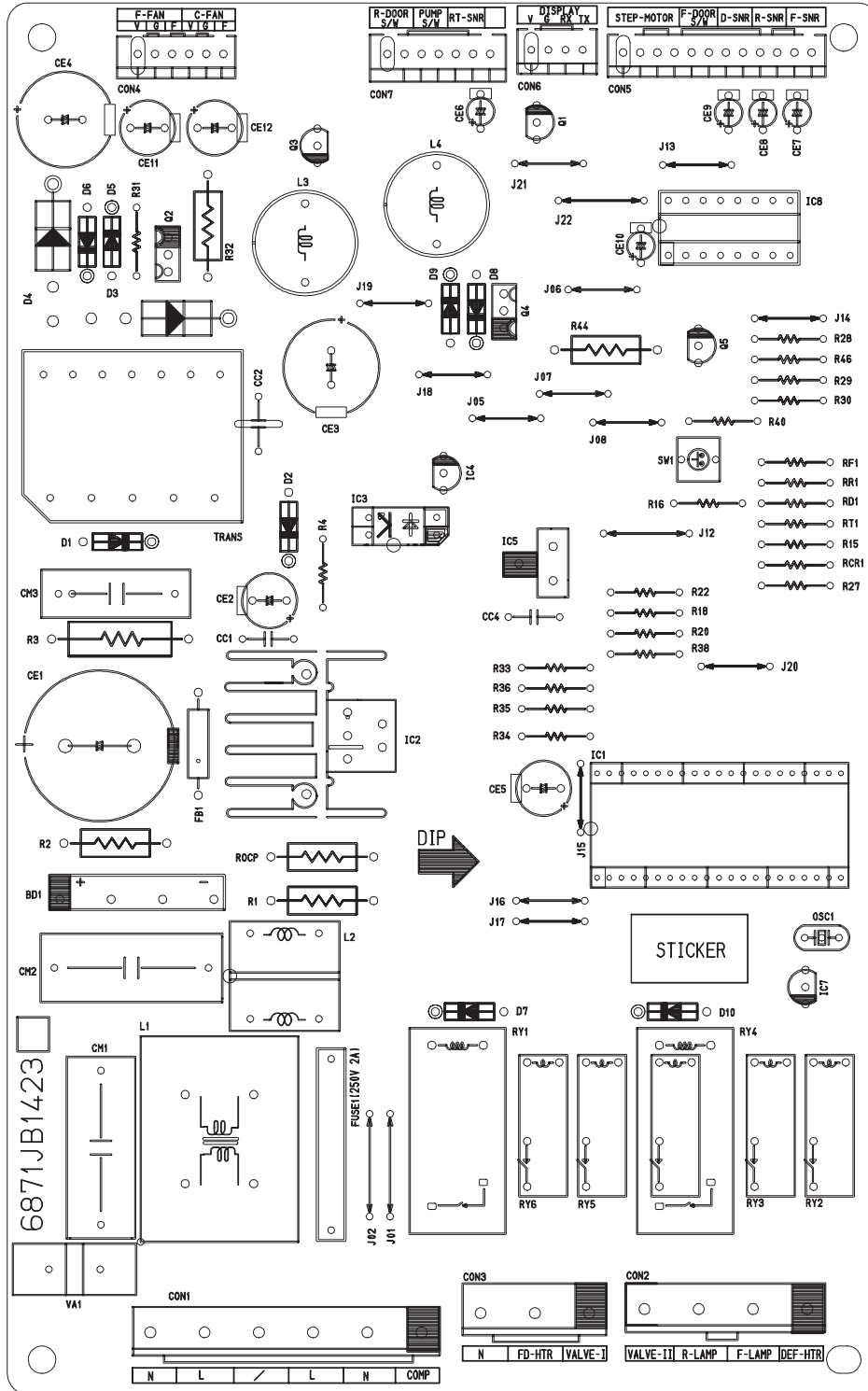
8-4 TROUBLESHOOTING

PROBLEM	INDICATED BY	CHECK	CHECKING METHOD	CAUSE	SOLUTION
Power source is poor.	1. The whole DISPLAY LED/SEVEN SEGMENT DISPLAY is off. 2. DISPLAY LED/SEVEN SEGMENT DISPLAY operates abnormally	1. FREEZER/ REFRIGERATOR.	Check if freezer or refrigerator door is open and check display.	Power source is poor.	Check outlet voltage.
		2. If lamp is dim.	Check visually.	Applied voltage error.	Use boosting transformer.
Cooling is poor.	No cooling.	3. The connection of the main PWB connector.	Check connection of connector.	connector connection is poor.	Reconnect connector.
		1. If the compressor operates.	Use Test Mode 1 (forced cooling). If less than 7 minutes pass after compressor shuts off, don't press the key and wait.	Transformer fuse is open.	Replace transformer.
Cooling is poor.	No cooling.	2. If refrigerant is leaking.	Measure the amount of frost sticking on evaporator and the surface temperature of the condenser pipe.	Compressor locked or blocked.	Replace compressor.
				O LP, PTC, or compressor are failed.	Replace OLP, PTC. Replace main PWB.
		1. If fan motor operates.	Use Test Mode 1 (forced cooling).	Connection wire is defective.	Check the connection of the black wire of the main PWB connector (CON1).
				Refrigerant leakage.	Replace the leaking part and replace any lost refrigerant.
Freezer temperature is incorrect	1. If fan motor operates.	Use Test Mode 1 (forced cooling).	Fan motor is defective. Connection wire is defective.	Replace the fan motor.	
				Refer to 8-2-4. 2 and check	
				Defrosting is poor.	See DEFROSTING is poor , page 35.
				Sensor resistance is incorrect.	Replace sensor.
Freezer temperature is incorrect.	2. If defrosting is normal.	Check the amount of frost sticking on the evaporator .	Check the seal when the door is closed.	Door liner damaged.	Replace door liner.
				3. If sensor is normal.	Check the resistance of the refrigerator sensor.
Freezer temperature is incorrect.	4. Gasket seal incorrect.	Check the seal when the door is closed.	Check the seal when the door is closed.		

PROBLEM	INDICATED BY	CHECK	CHECKING METHOD	CAUSE	SOLUTION
COOLING is defective.	If refrigerator temperature is too low.	1. If freezer temperature is normal.	Check is freezer temperature is too low.		Make sure the door is attached.
		2. If amount of cool air from fan motor is sufficient.	Make sure that the amount and speed of cool air are sufficient by touching the check supplied on the refrigerator.	FAN motor is defective. Passage of cool air is blocked. Evaporator frozen.	Replace fan motor. Remove impurities. See defrosting is poor , below.
		3. Door gasket contact.	Check door seal when door is closed.	Door liner damaged.	Replace door liner.
DEFROSTING is defective.	NO defrosting.	1. If heater emits heat.	USE TEST MODE3 (forced defrosting).	Heater disconnection.	Replace heater.
				Temperature fuse is blown.	Replace temperature fuse.
				Connection is poor.	Check evaporator connection and wire of main PWB connector.
				Defrost sensor is defective.	Replace defrost sensor.
				Heater relay is poor.	Replace RY2 of main PWB.
				Drain pipe is blocked.	Remove ice and impurities.
				Connection is poor.	Reassemble the defrost sensor.
				Door does not close properly.	Reassemble door. Replace gasket.
				Make sure that defrost sensor is connected.	
				Make sure that freezer and refrigerator doors are closed.	

8-5 MAIN PWB ASSEMBLY AND PARTS LIST

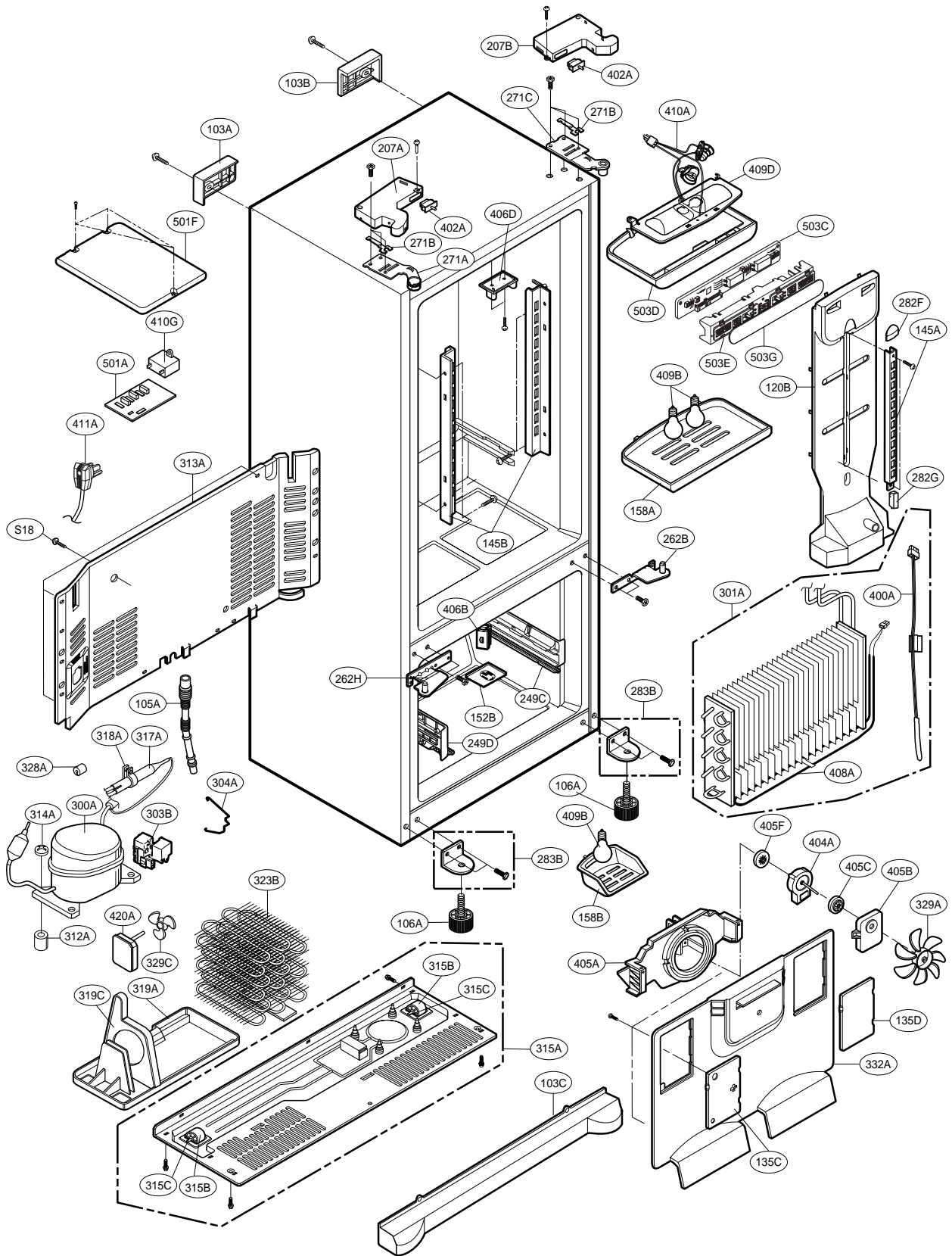
8-5-1 Main PWB Assembly



9. EXPLODED VIEW & REPLACEMENT PARTS LIST

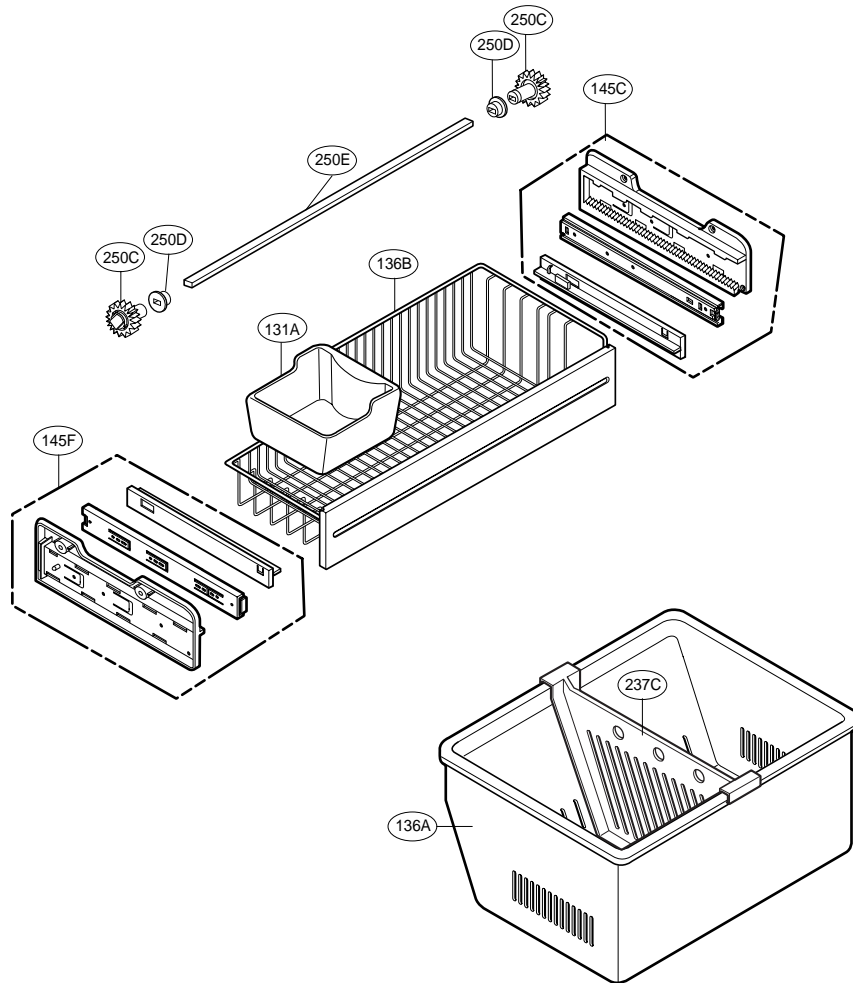
CASE PARTS

CAUTION: Use the part number to order part, not the position number.



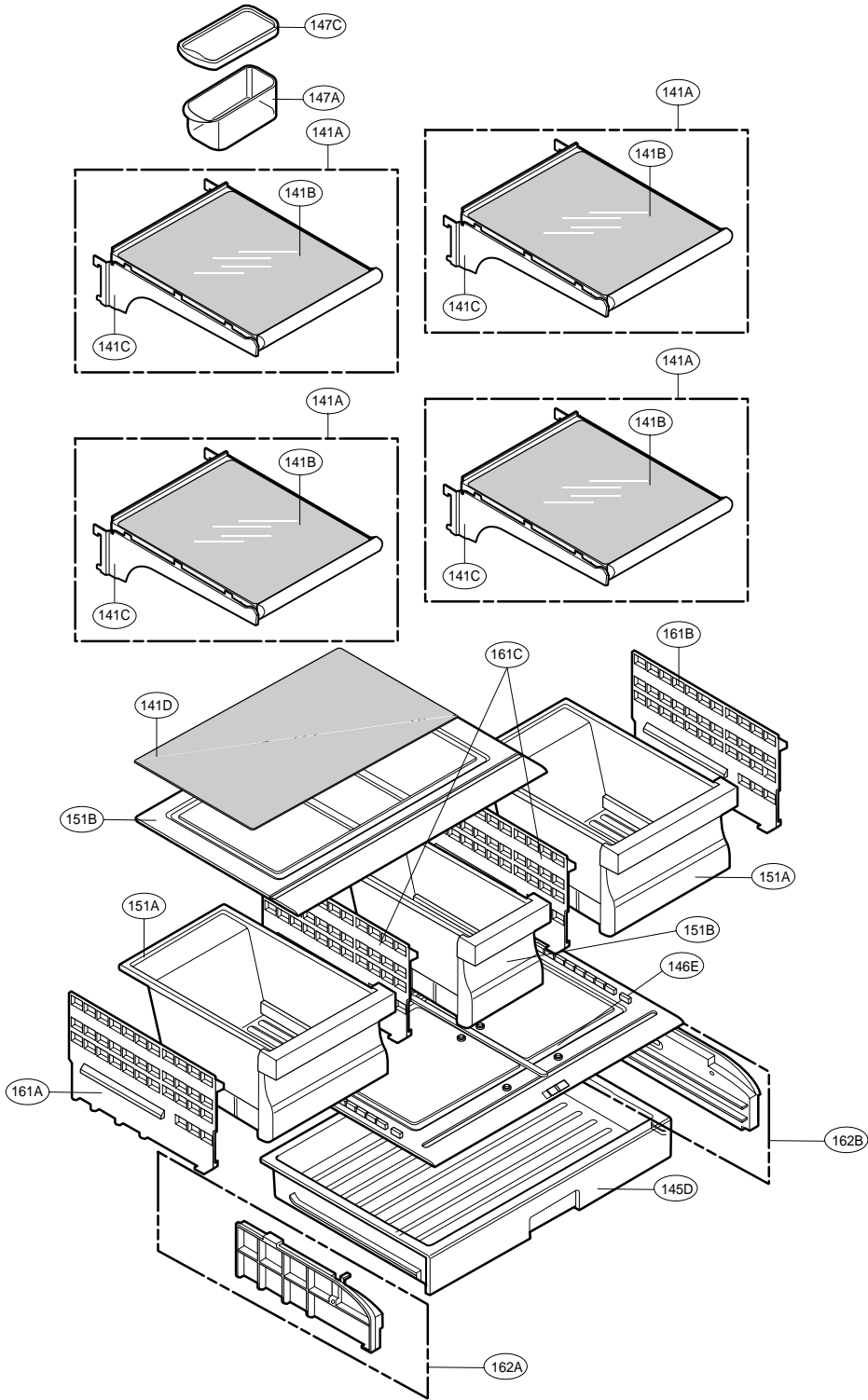
FREEZER PARTS

CAUTION: Use the part number to order part, not the position number.



REFRIGERATOR PARTS

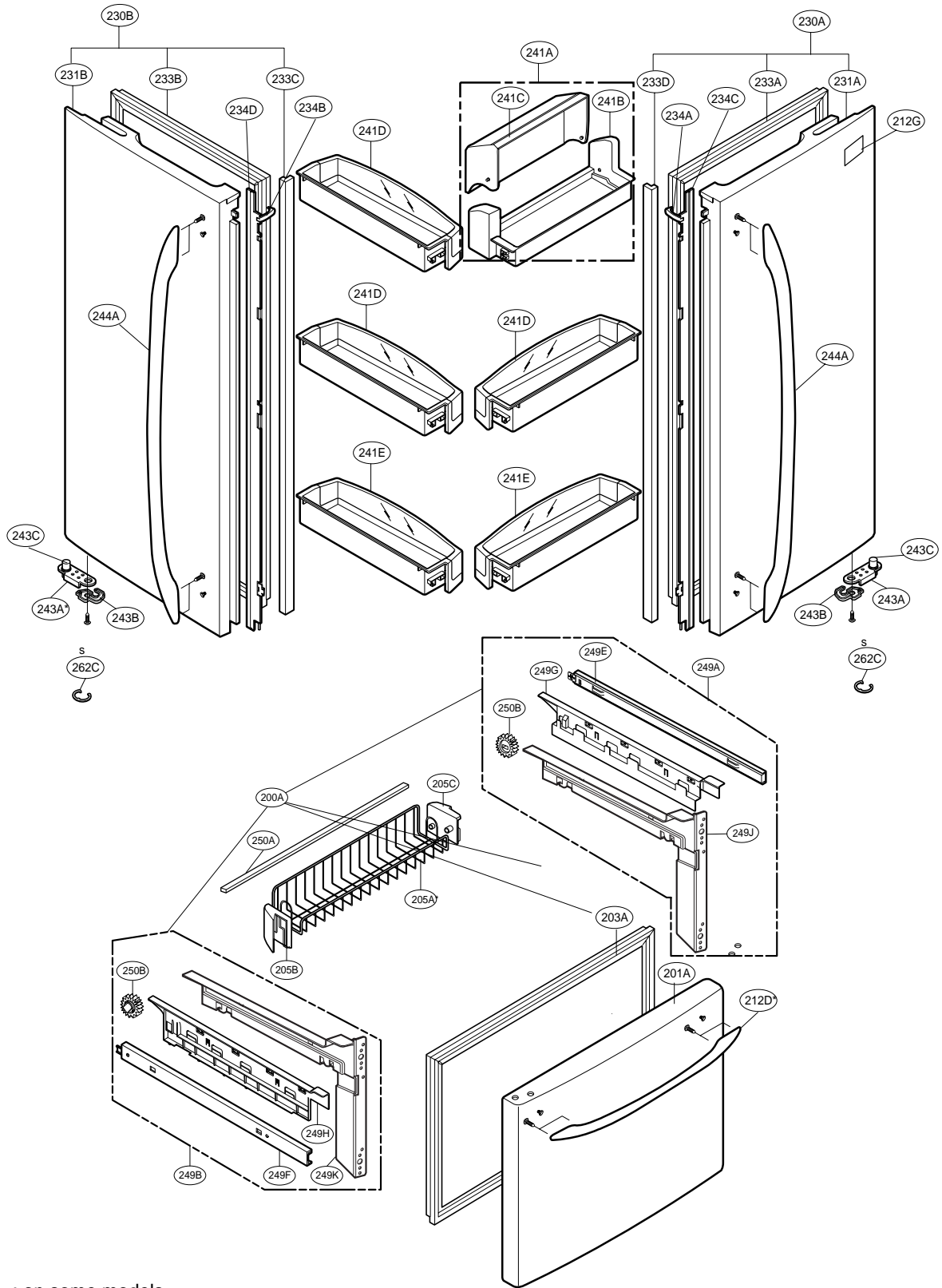
CAUTION: Use the part number to order part, not the position number.



* : on some models

DOOR PARTS

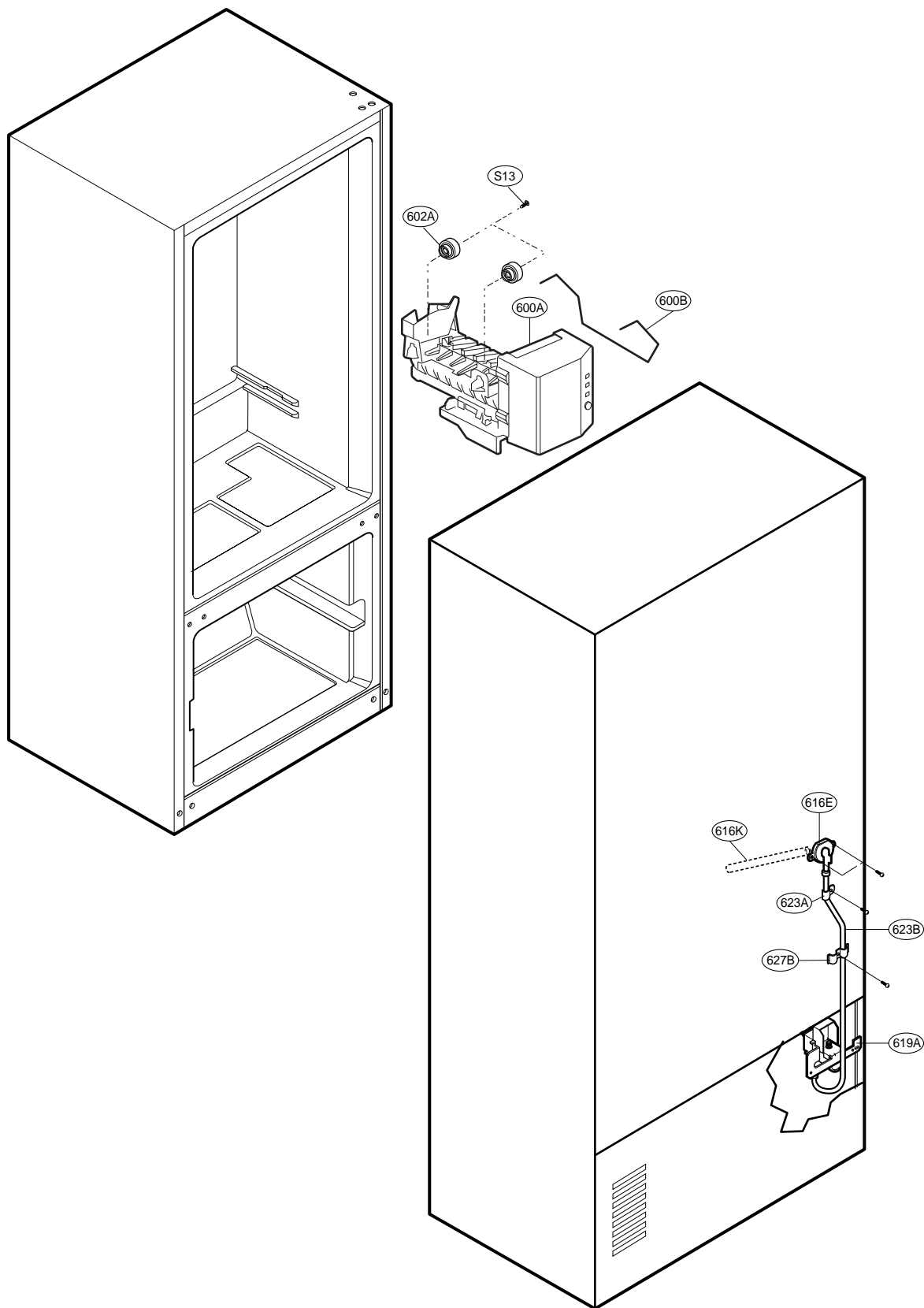
CAUTION: Use the part number to order part, not the position number.



* : on some models
 ▲ Only for the service

WATER AND ICEMAKER PARTS

CAUTION: Use the part number to order part, not the position number.





P/No. MFL47912301

FEB., 2008 Printed in Korea