

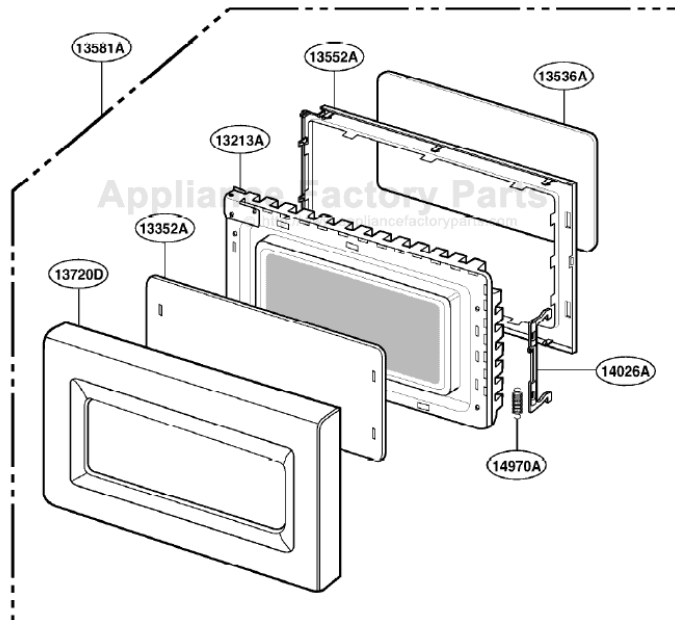
This Owner's Manual is provided and hosted by [Appliance Factory Parts](http://ApplianceFactoryParts.com).



# GOLDSTAR MA-2005ST Owner's Manual

[Shop genuine replacement parts for GOLDSTAR  
MA-2005ST](#)

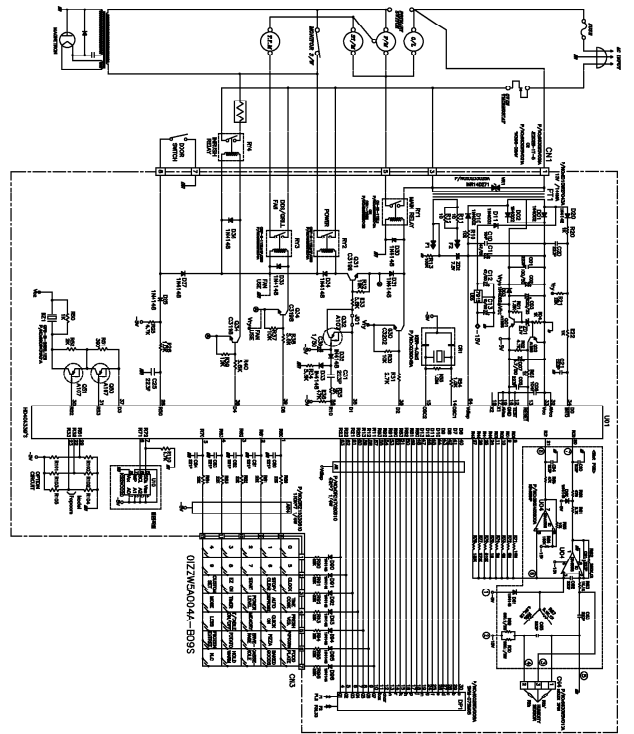
## DOOR PARTS



[Find Your GOLDSTAR Microwave Parts - Select From 234 Models](#)

----- Manual continues below -----

# SCHEMATIC DIAGRAM OF P.C.B.



## PRINTED CIRCUIT BOARD

---

