



# GoldStar

Website <http://us.lgservice.com>

# MICROWAVE OVEN SERVICE MANUAL

## MODEL: MA-900WM

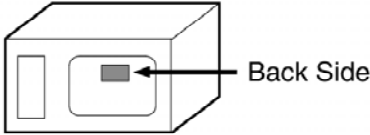
### CAUTION

BEFORE SERVICING THE UNIT, READ THE SAFETY PRECAUTIONS IN THIS MANUAL.

P/NO : 3828W5S0648

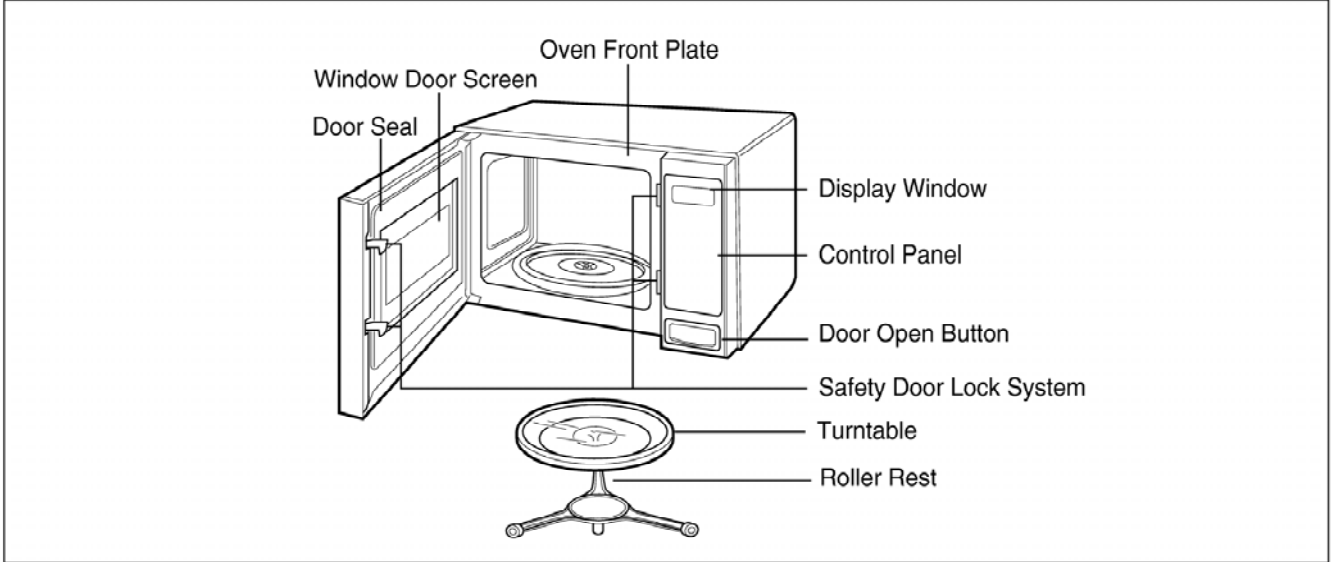
October, 1997  
Printed in Korea

# SPECIFICATIONS

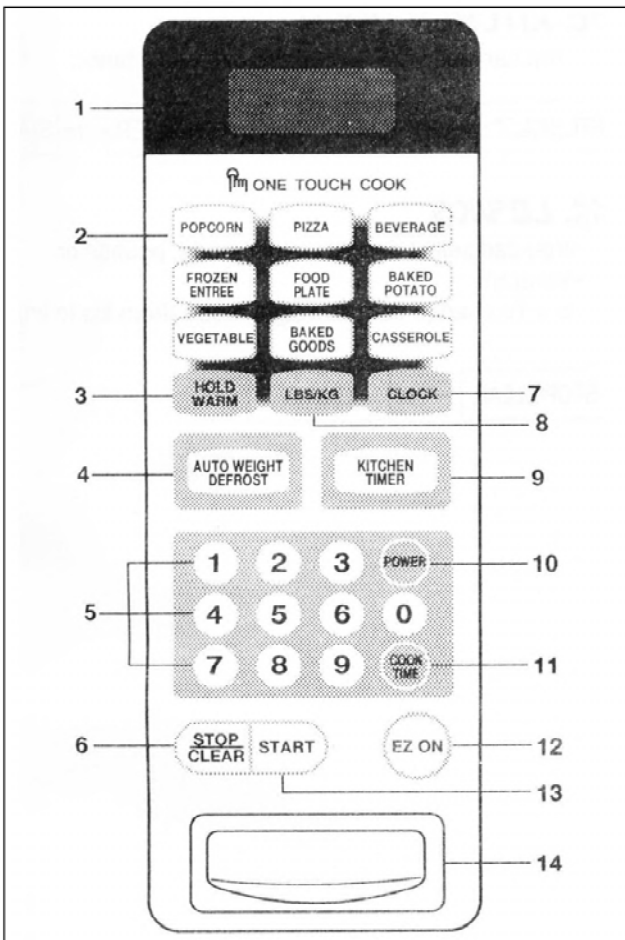
ITEM	DESCRIPTION
<b>MODEL</b>	<b>MA-900WM</b>
Power Requirement	120 Volts AC 60 Hz 1250 Watts (11.3A) Single phase, 3 wire grounded
Power Output	850 Watts (IEC60705)
Microwave Frequency	2450 MHz
Magnetron	2M214
Timer	0 ~ 99 min. 99 sec.
Outside Dimensions	20 <sup>1</sup> / <sub>4</sub> " (W) x 11 <sup>7</sup> / <sub>8</sub> " (H) x 15" (D) mm
Cavity Dimensions	13" (W) x 8 <sup>3</sup> / <sub>8</sub> " (H) x 13 <sup>3</sup> / <sub>8</sub> " (D) mm
Net Weight	32 lbs (approx.)
Shipping weight	35 lbs (approx.)
Control Complement	Touch Control System Clock : 1:00 - 12:59 Microwave Power for Variable Cooking Power level HIGH ..... Full power throughout the cooking time 9 (Saute) ..... approx. 90% of Full power,      8 (Reheat) .....approx. 80% 7 (Med.-High) ..... approx. 70%,                      6 (Medium) .....approx. 60% 5 (Med.-Low) ..... approx. 50%,                      4 (Defrost) .....approx. 40% 3 (Low) ..... approx. 30%,                              2 (Simmer) .....approx. 20% 1 (Warm) ..... approx. 10%
Rating Label Location	
Accessories	Owner's manual & cooking guide Glass turntable Roller rest
<p>This microwave oven is designed for household use only. It is not recommended for commercial purposes.</p>	

# OPERATING INSTRUCTIONS

## FEATURES

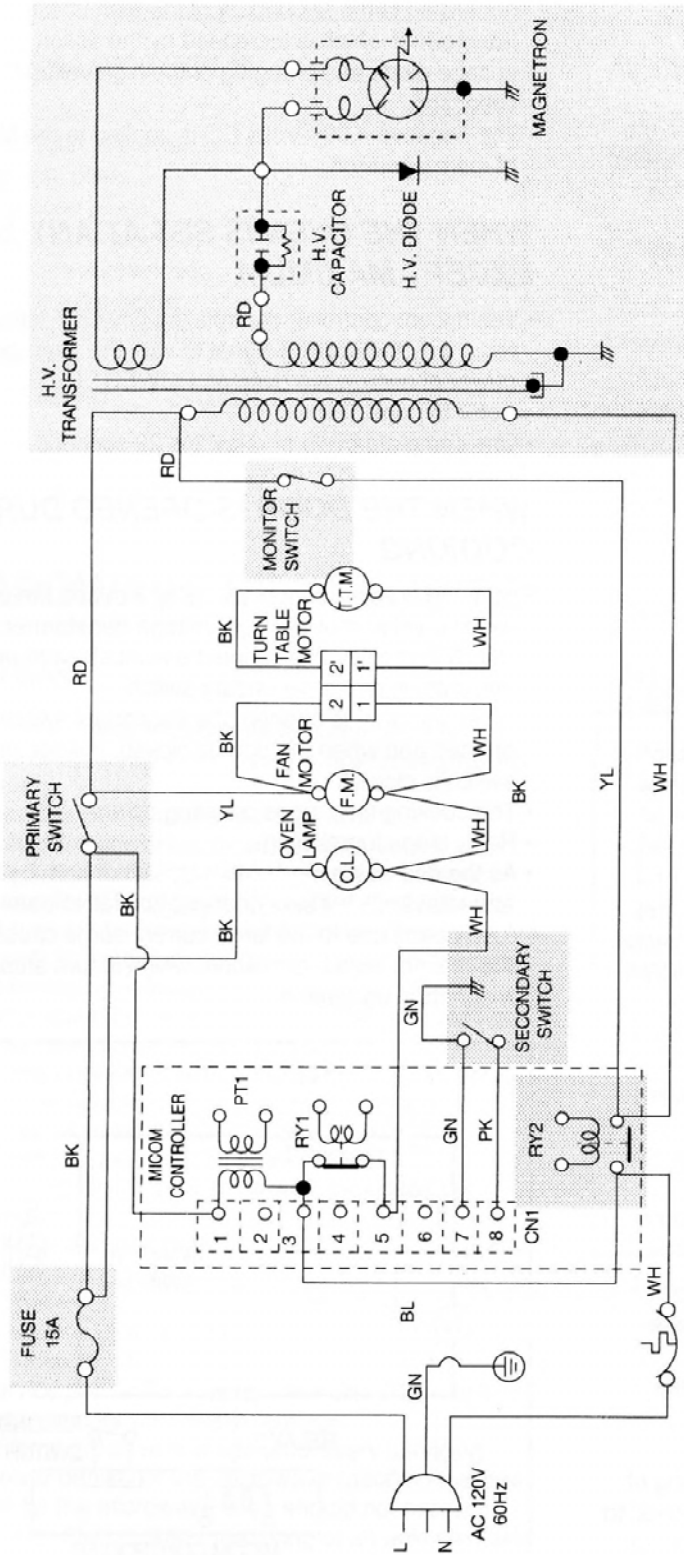


## CONTROL PANEL



1. INDICATORS.
2. ONE TOUCH COOK: This menu has been pre programmed to cook food automatically by one touch.
3. HOLD WARM: Touch this pad to keep hot, cooked foods safety warm in your microwave oven for up to 60 minutes.
4. AUTO WEIGHT DEFROST: This feature provides you with the best defrosting method for frozen foods.
5. NUMBER: These used to set for time of day, cooking time, power level, or defrost weight.
6. STOP/CLEAR: It used to stop oven and clear all entries except time of day.
7. CLOCK: It is used to set the time of day.
8. LBS/KG: It is used to select the defrost weight mode.
9. KITCHEN TIMER: You can use the microwave oven as a timer.
10. POWER: Used to select power level for cooking.
11. COOK TIME: You can set the desired cook time.
12. EZ ON: You can extend cooking time by repeatedly touching this pad during cooking.
13. START: This feature allows oven to begin functions.
14. DOOR OPEN BUTTON: Press the button to open the door.

# SCHEMATIC DIAGRAM



\*\* NOTE : DOOR IS OPENED.

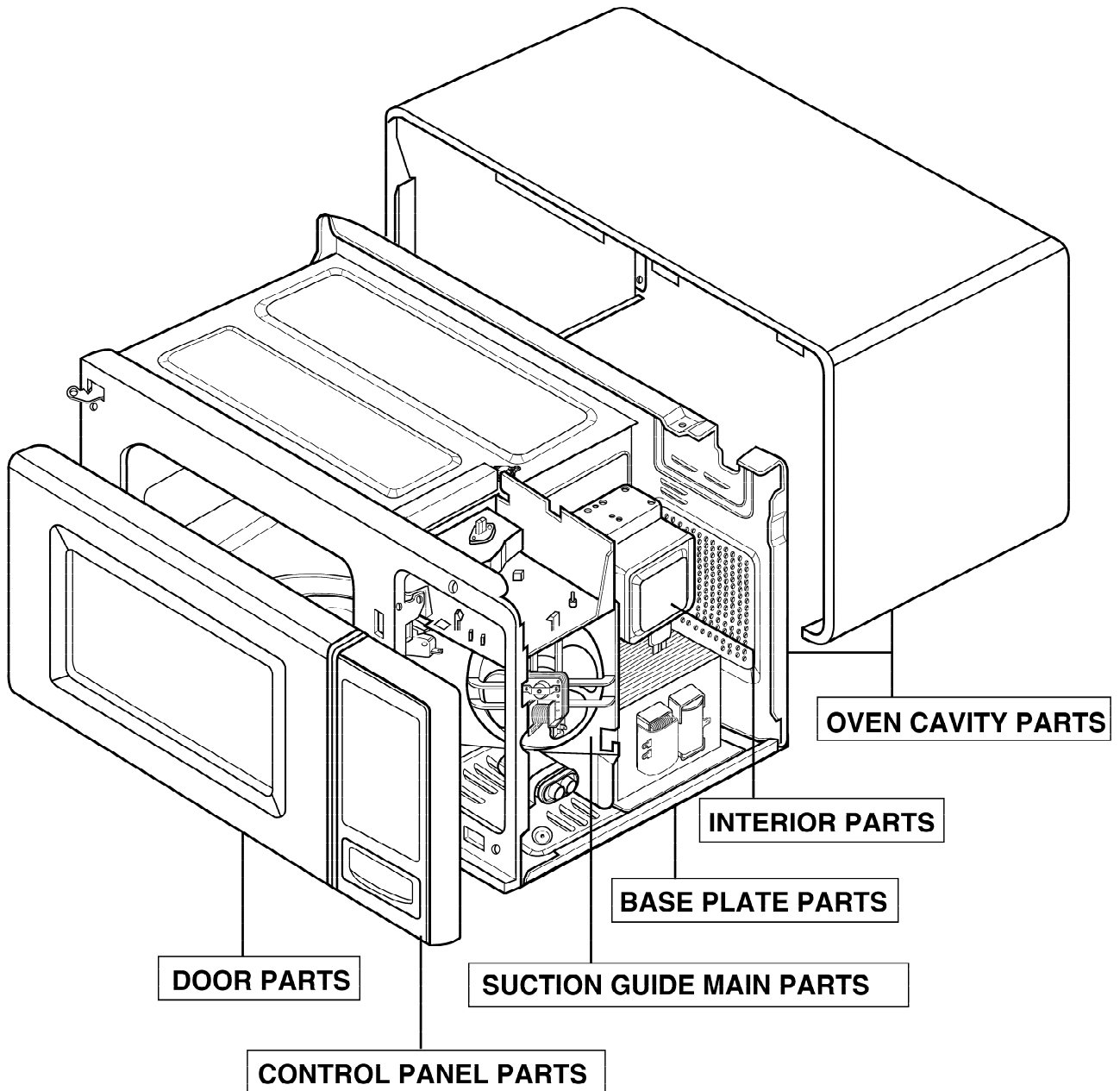
BK : BLACK	BL : BLUE	YL : YELLOW	RD : RED
WH : WHITE	PK : PINK	GN : GREEN	

**IMPORTANT SAFETY NOTE:** THE SHADED AREAS ON THIS SCHEMATIC DIAGRAM INCORPORATE SPECIAL FEATURES IMPORTANT FOR PROTECTION FROM MICROWAVE RADIATION, FIRE, ELECTRICAL SHOCK, AND HAZARDS. WHEN SERVICING IT IS ESSENTIAL THAT ONLY MANUFACTURER'S SPECIFIED PARTS BE USED FOR THE CRITICAL COMPONENTS IN THE SHADED AREAS OF THE SCHEMATIC DIAGRAM.

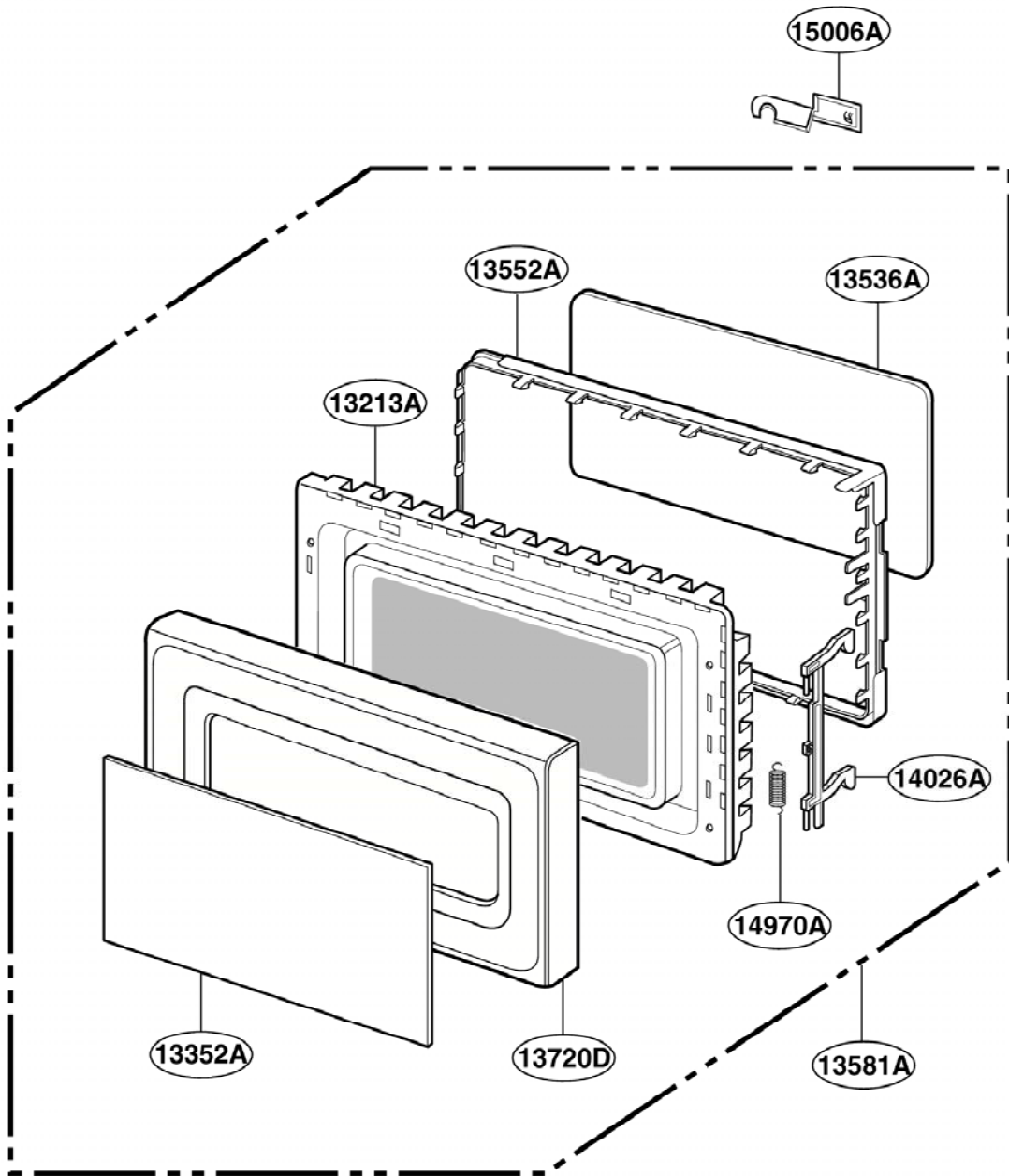
NOTICE: SINCE THIS IS BASIC SCHEMATIC DIAGRAM, THE VALUES OF COMPONENTS AND SOME PARTIAL CONNECTIONS ARE SUBJECT TO CHANGE FOR IMPROVEMENT.

# EXPLODED VIEW

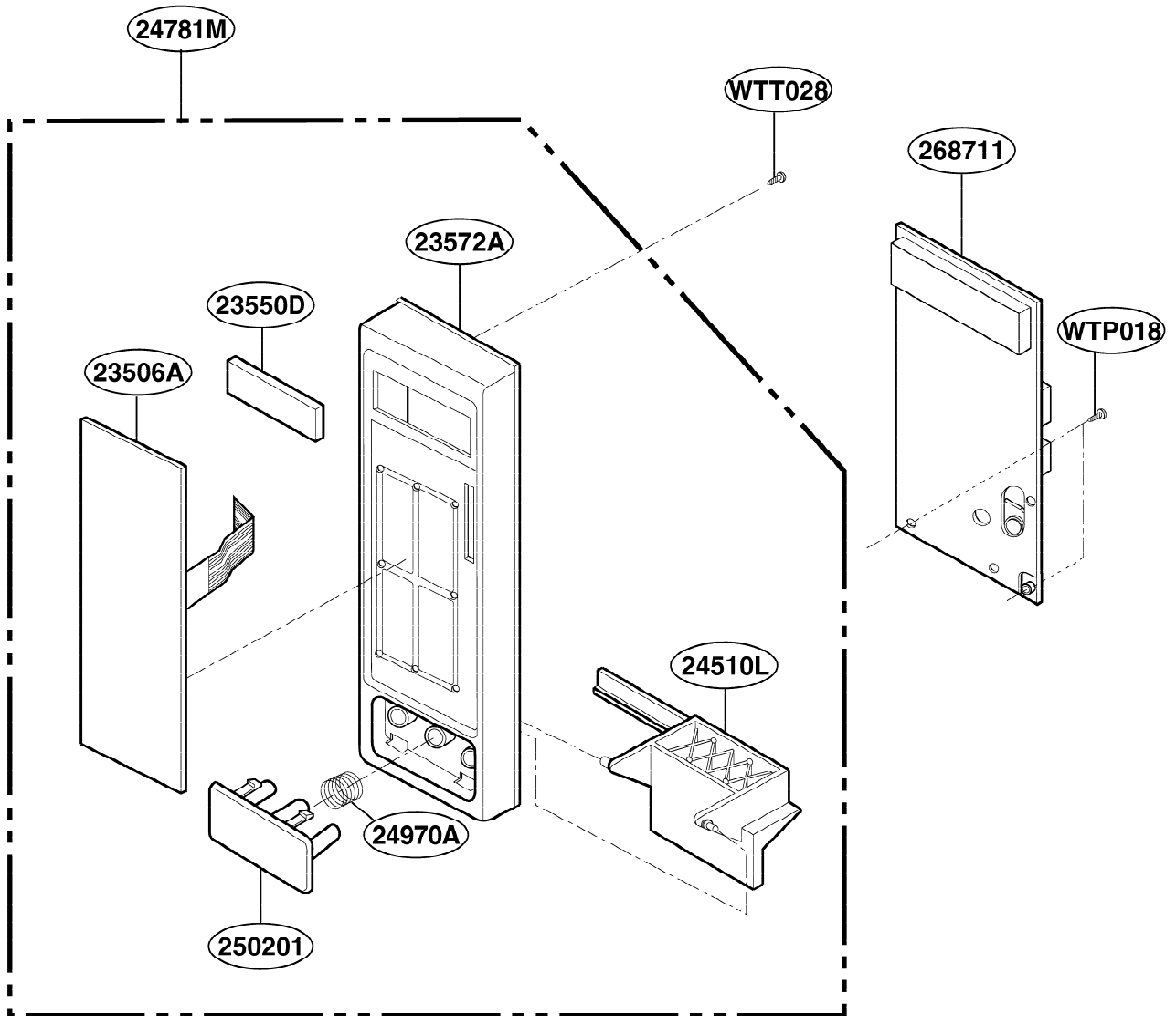
## INTRODUCTION



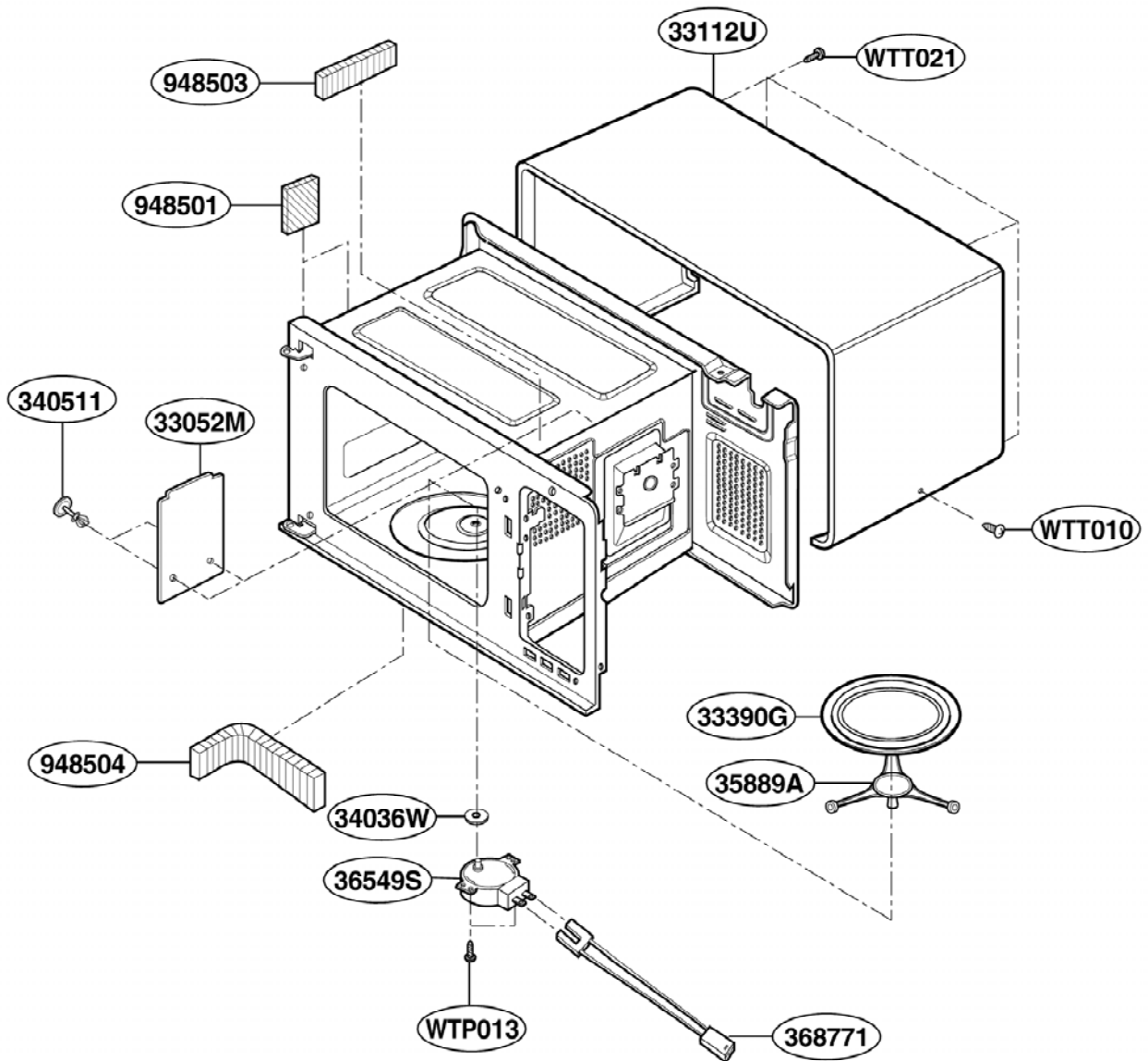
# DOOR PARTS



# CONTROLLER PARTS

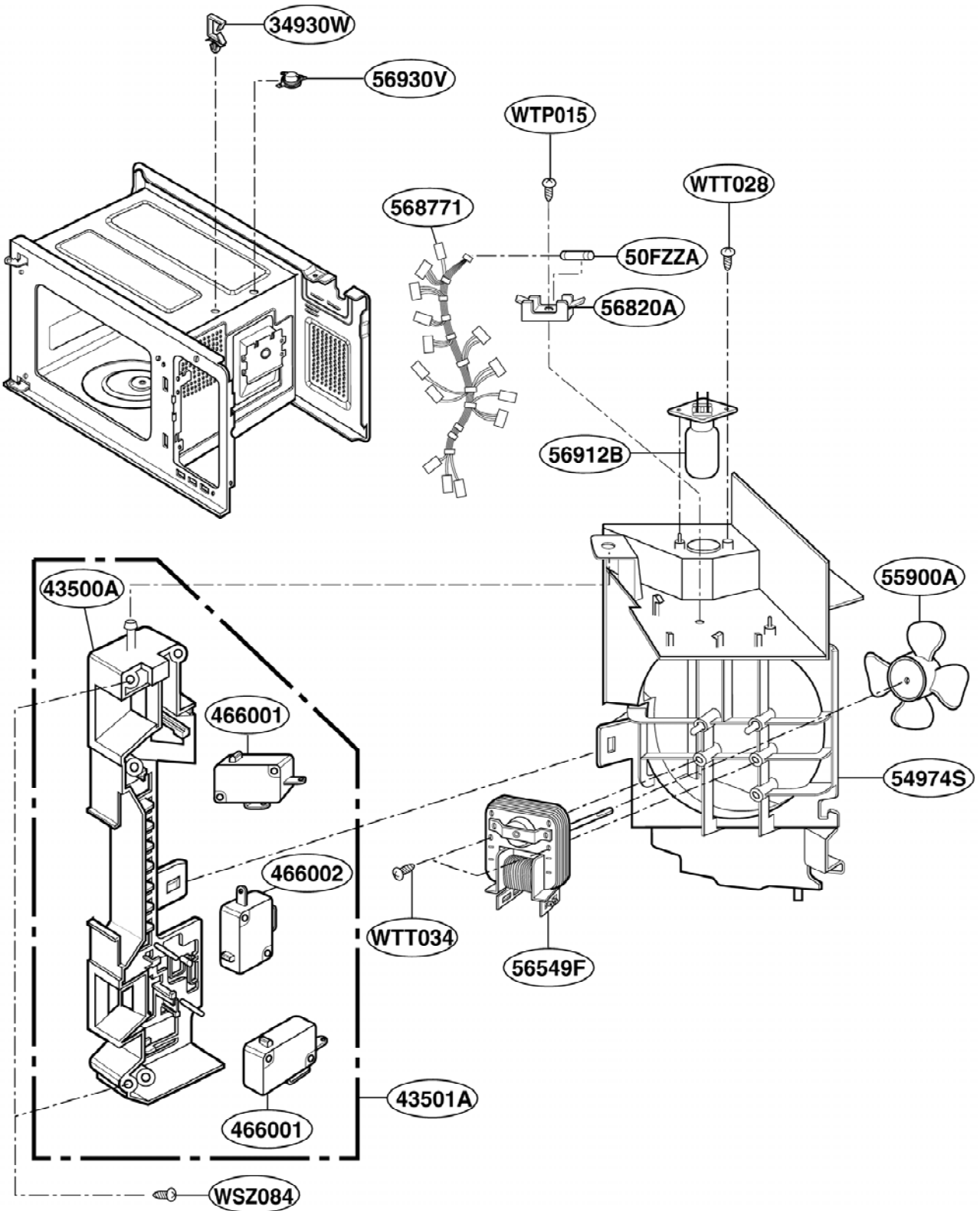


# OVEN CAVITY PARTS

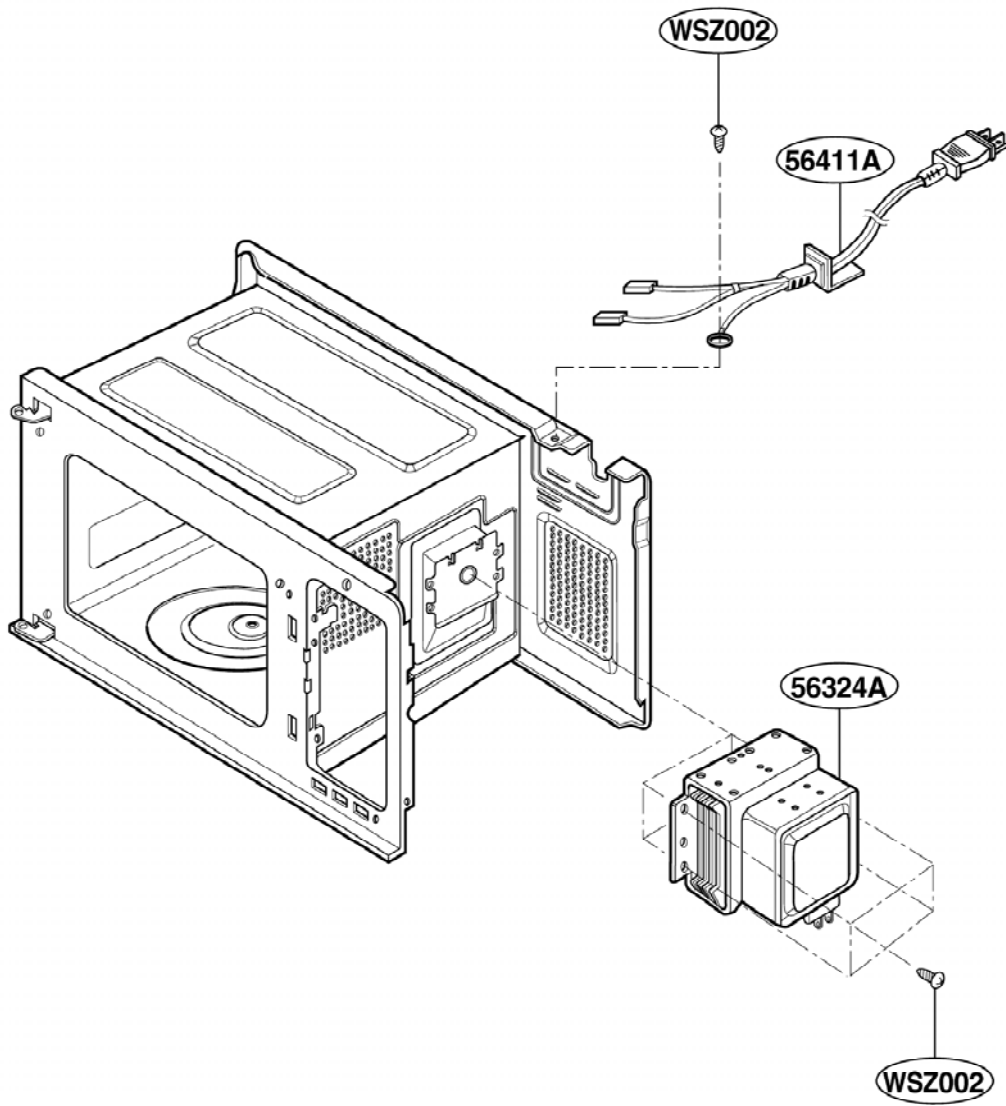




# SUCTION GUIDE PARTS



# INTERIOR PARTS



# BASE PLATE PARTS

