

03308740

**Char-Broil**  
KEEPERS OF THE FLAME

**SANTA FE**

For Outdoor Use Only



**Tools needed for assembly:**

Phillips screwdriver

Flat head screwdriver

Two adjustable wrenches

Hammer



**CAUTION**



THIS UNIT IS HEAVY. DO NOT assemble without helper.

Some parts may contain sharp edges - especially as noted in manual. Wear protective gloves if necessary.

Read and follow all safety statements, warning, assembly instructions and use & care directions before attempting to assemble and cook.



**WARNING**



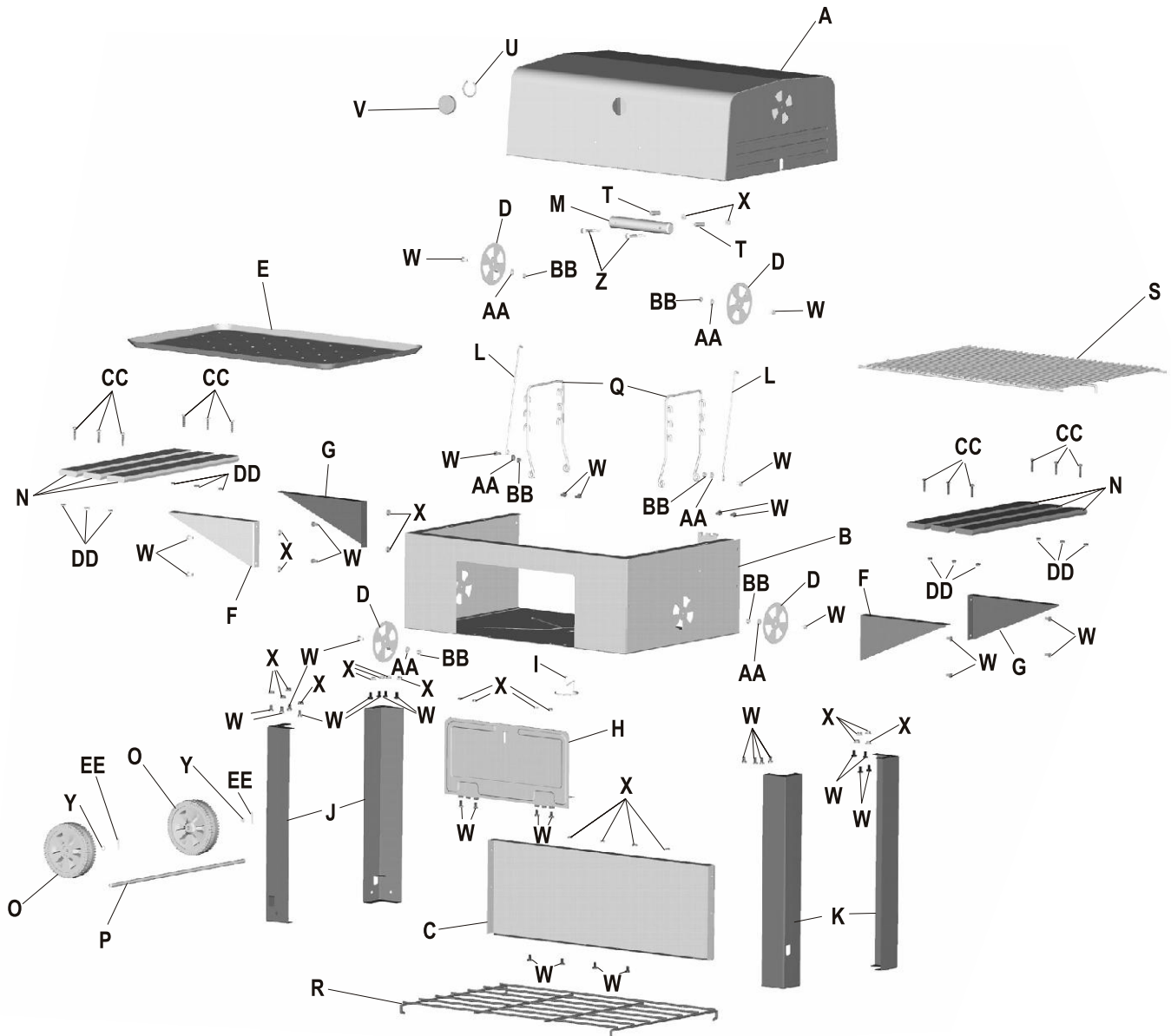
**CARBON MONOXIDE HAZARD**

Burning charcoal inside can kill you. It gives off carbon monoxide, which has no odor. NEVER burn charcoal inside homes, vehicles or tents.

# Parts List - Model 03308740

Key	Qty.	Description	Part #
A	1	Lid	55700249
B	1	Bottom	55700250
C	1	Rear Panel	55700392
D	4	Daisy Wheel Dampers	55700253
E	1	Ash Pan	55700248
F	2	Side Shelf Brackets, LHF/RHR.	55700246
G	2	Side Shelf Brackets, RHF/LHR.	55700245
H	1	Clean Out Door	55700258
I	1	Grease Can Holder	44830150
J	2	Short Legs	55700241
K	2	Long Legs	55700242
L	2	Wire Door Stops	55700252
M	1	Wood Handle	55700254
N	6	Wood Slats	55700257
O	2	Wheels	55700445

Key	Qty.	Description	Part #
P	1	Axle	55700444
Q	2	Wire Ash Pan Hangers	48700008
R	1	Wood Rack	48730090
S	1	Cooking Grid	40009926
T	2	Handle Spacer	42000015
U	1	Retention Clip	42000015
V	1	Temperature Gauge	55700255
W	42	1/4-20x1/2" Hex Screw	42000015
X	26	1/4-20 Flange Nut	42000015
Y	2	3/8" Washer	42000015
Z	2	1/4-20x3" Screw	42000015
AA	6	1/4" Flat Washer	42000015
BB	6	1/4-20 Reversible Lock Nut	42000015
CC	12	10-24x1-1/4" Screw	42000015
DD	12	10-24 Flange Nut	42000015
EE	2	Cotter Pin	42000015



# STOP!

## Missing a part?

No need to go back to the store!

The store where you made your purchase does not stock parts for this item. If you need parts, whether they are missing or damaged, call the Customer Service toll free Help Line.

Call us and we will gladly ship the part you need

**FREE OF CHARGE.**

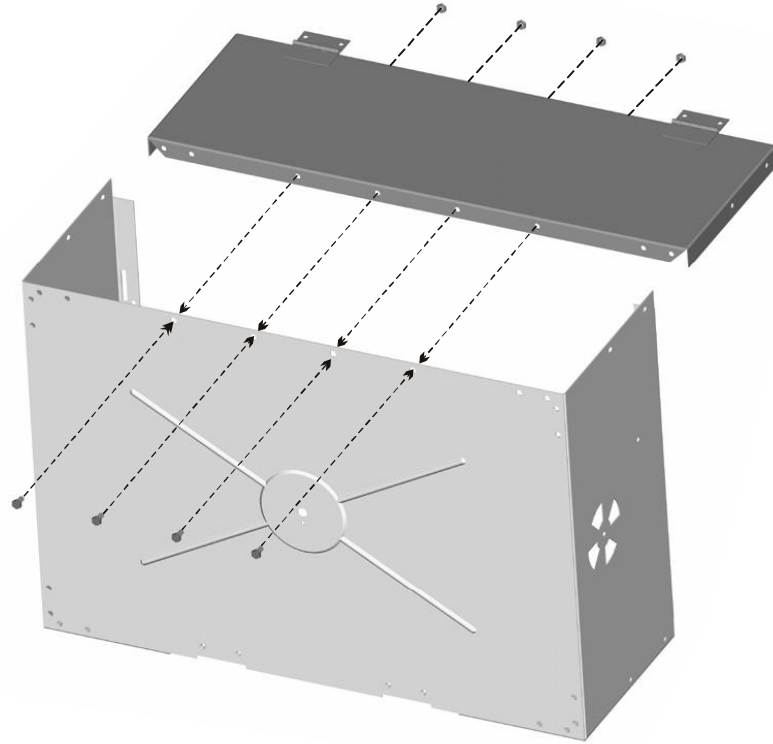
Call Our Help Line  
**1-800-232-3398**

**Char-Broil**

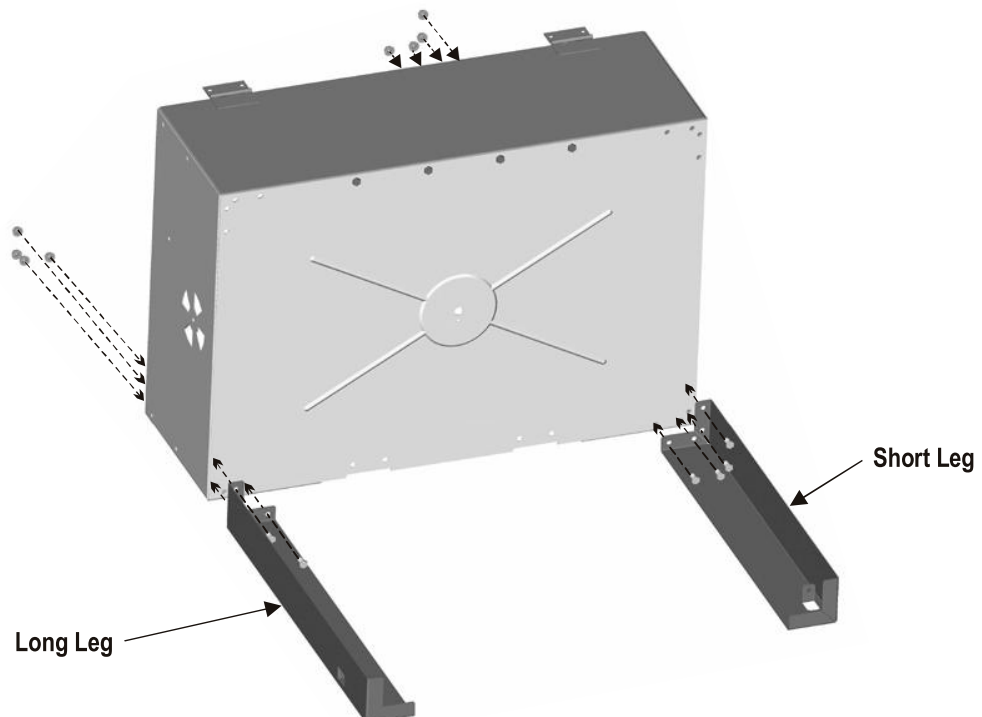
## WARRANTY KITS

ITEM	DESCRIPTION
55700241	SHORT LEG KIT
55700242	LONG LEG KIT
55700257	SIDE SHELF KIT
55700444	AXLE KIT
55700245	RIGHT SHELF BRACKET KIT
55700246	LEFT SHELF BRACKET KIT
55700258	CLEANOUT DOOR/LATCH/HINGE KIT
55700248	ASH PAN KIT
55700249	TOP CHAMBER KIT
55700250	BOTTOM CHAMBER KIT
55700392	BACK PANEL KIT
55700445	WHEEL KIT
55700252	DOOR STOP KIT
55700253	DAISY WHEEL DAMPER KIT
55700254	WOOD HANDLE KIT
55700255	TEMP GAUGE KIT
48730090	WOOD STORAGE RACK
40009926	COOKING GRATE
48700008	ASH PAN HANGER
44830150	GREASE CAN HOLDER
42000015	HARDWARE BAG

- 1**
- Open carton and place contents onto a clean floor.
  - Place bottom on ground with clean out door opening facing ground.
  - Attach rear panel to the bottom with (4) 1/4-20x1/2" (12.7mm) hex screws and (4) 1/4-20 flange nuts

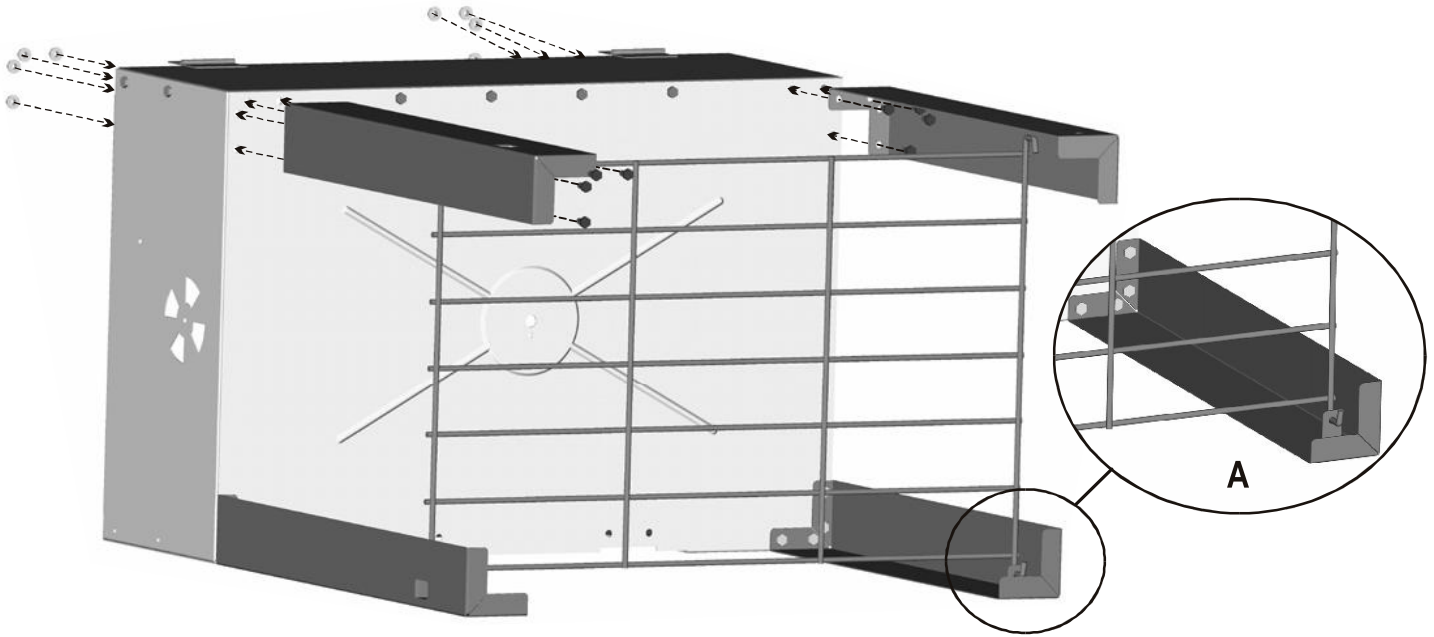


- 
- 2**
- With lower section still in position from previous step, attach (1) short leg to the right end and (1) long leg to left end of the bottom assembly using (4) 1/4-20x1/2" (12.7mm) long hex screws from outside and flange nuts on inside.



### 3 This may require at least two people

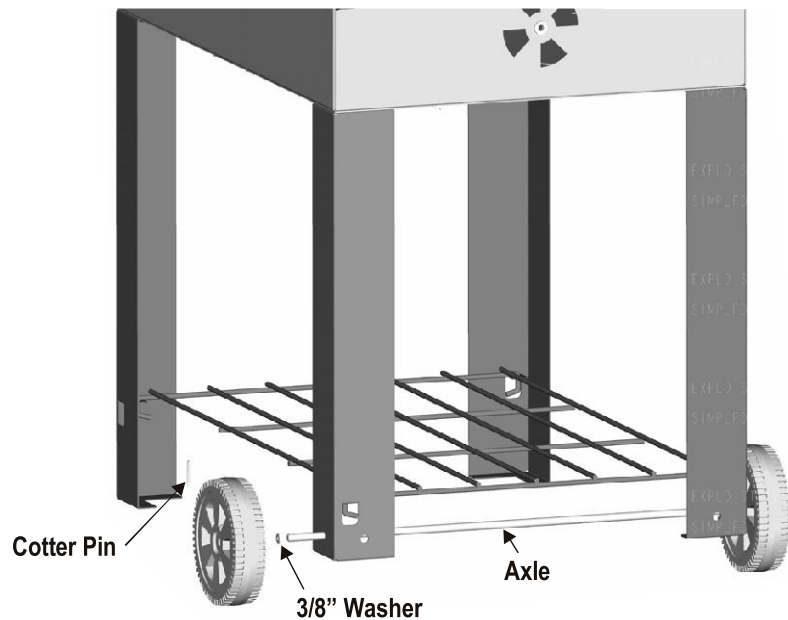
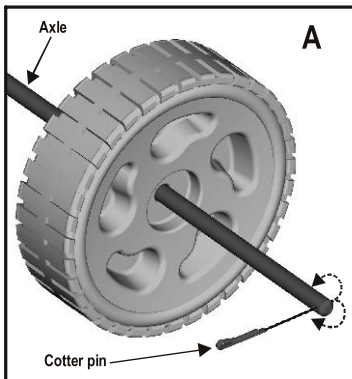
- Hook the back side of wood rack into two attached legs as shown (A).
- Attach (1) short leg and (1) long leg to front of bottom assembly by first hooking legs onto wood rack, then position legs so that they are aligned with holes in bottom.
- Attach using (4) 1/4-20x1/2" (12.7mm) hex screws from outside and flange nuts on inside.



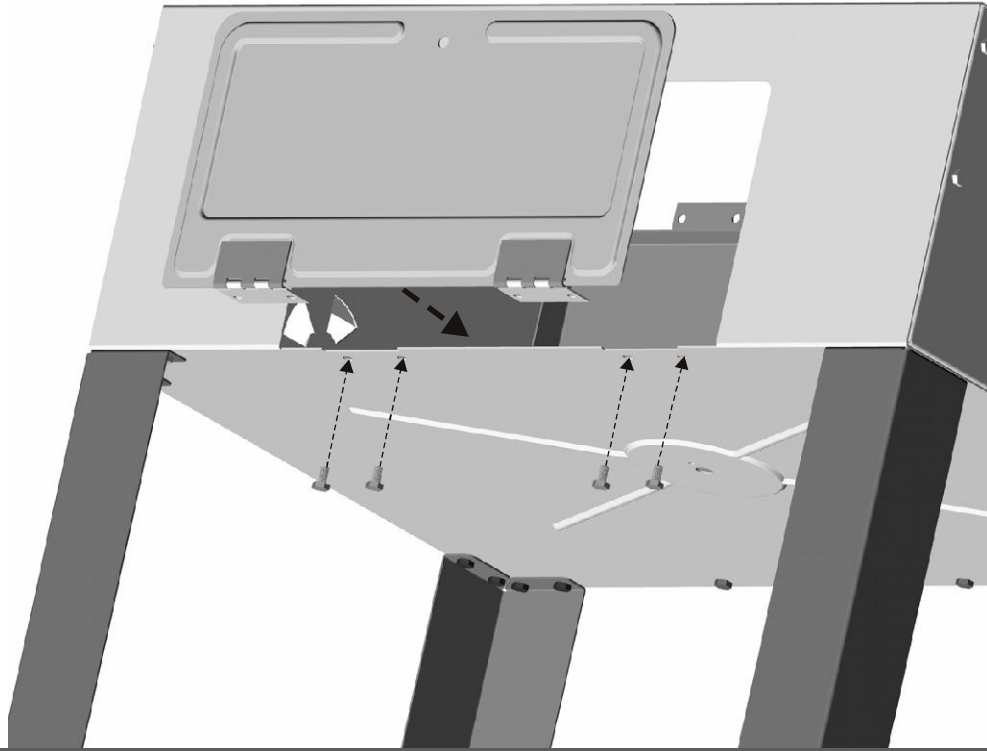
### 4

#### STAND UNIT UP

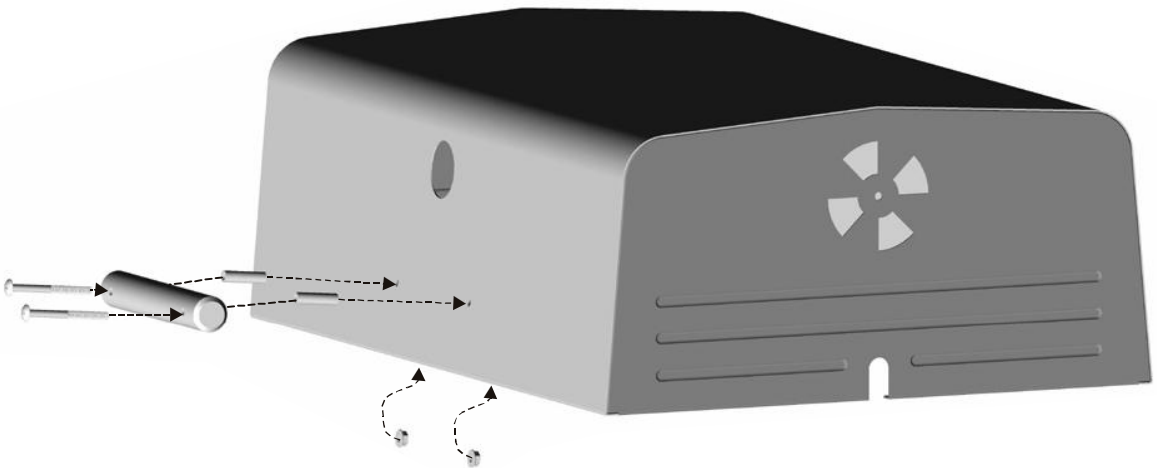
- Insert a cotter pin through the hole in one end of the axle and bend it so it won't back out (A).
- Slide a wheel and a 3/8" (9.5mm) washer onto axle. Slide axle through hole in bottom of short legs as shown. Slide another 3/8" (9.5mm) washer and wheel onto end of the axle. Insert the remaining cotter pin through hole in the axle. Make sure all hardware is tight.



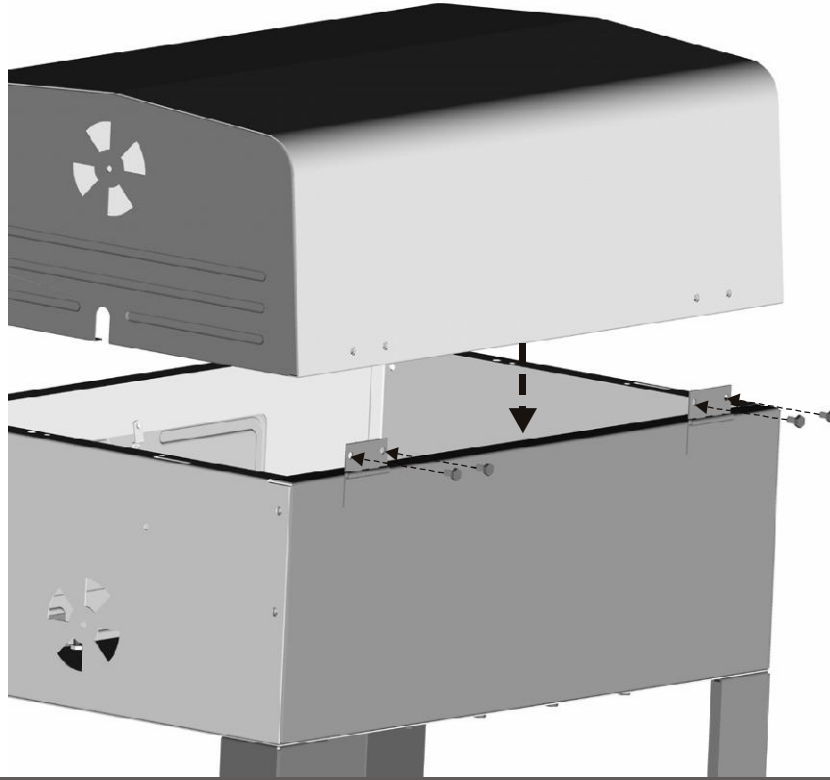
- 5** • Attach clean out door using (4) 1/4-20x1/2" (12.7mm) hex screws from outside. Make sure body side of each hinge is attached UNDER bottom.



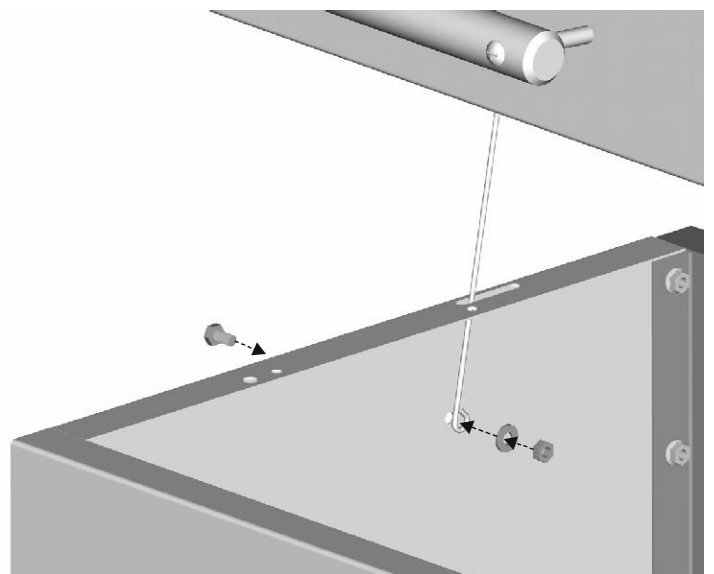
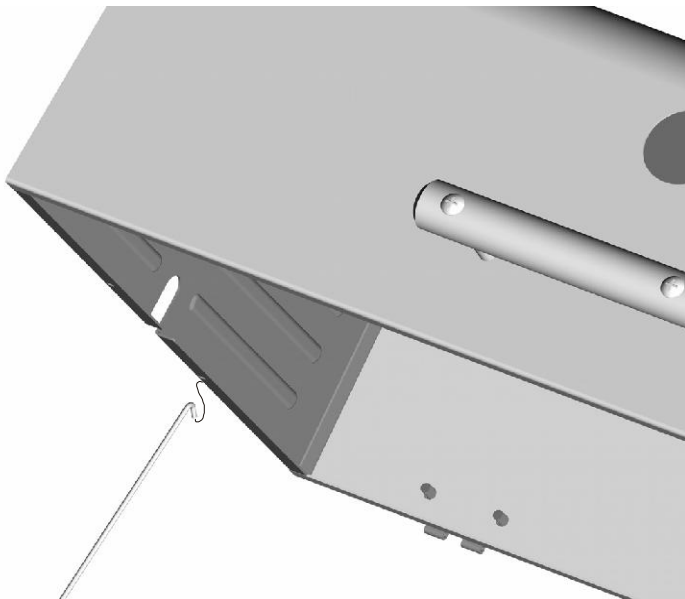
- 6** • Attach wood handle to top assembly using (2) 1/4-20x3" (76.2mm) screws through handle, sliding an aluminum spacer onto each screw, placing screws through front holes and attaching with (2) 1/4-20 flange nuts.



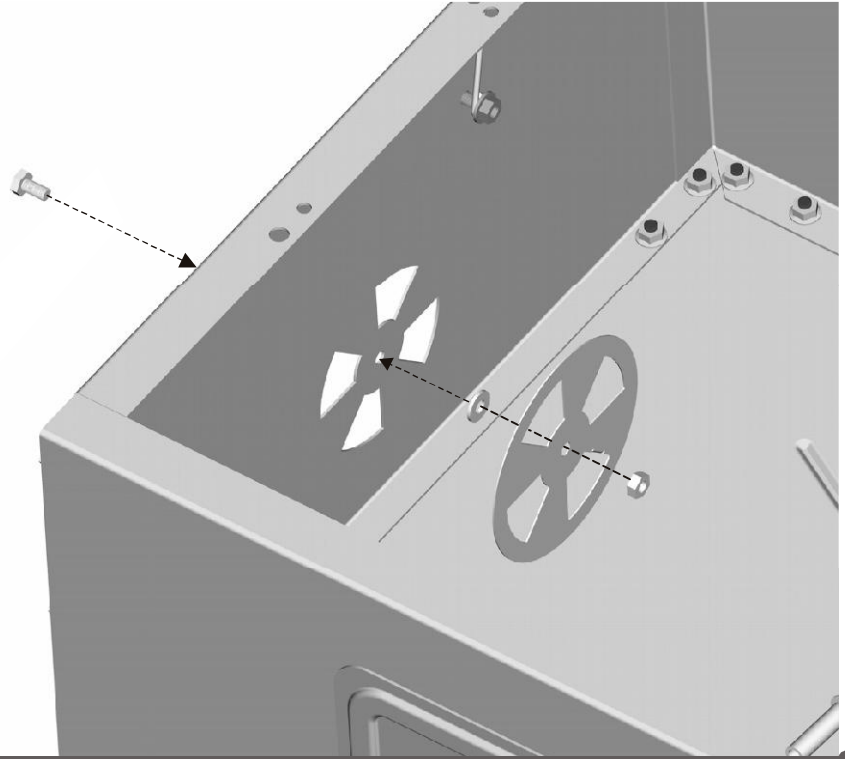
- 7** • Place top assembly on top of bottom assembly. Align hinge hole on back of unit. With aid of a helper attach hinges to top assembly using (4) 1/4-20x1/2" (12.7mm) hex screws.



- 8** • Slide hook end of (1) wire door stop into slot in end panel of top assembly with hook facing back of the grill.
- Next slide the other end through slot in end panel on bottom assembly. With aid of a helper attach lower end of door stop to bottom assembly using (1) 1/4-20x1/2" (12.7mm) hex screw from outside and (1) 1/4" flat washer and a reversible lock nut as shown. Repeat process on other end.



- 9** • Attach (2) daisy wheel dampers to bottom assembly and (2) daisy wheel dampers to top assembly using (1) 1/4-20x1/2" (12.7mm) hex screw, (1) flat washers and (1) reversible lock nuts as shown. DO NOT FULLY TIGHTEN to allow for damper adjustment.

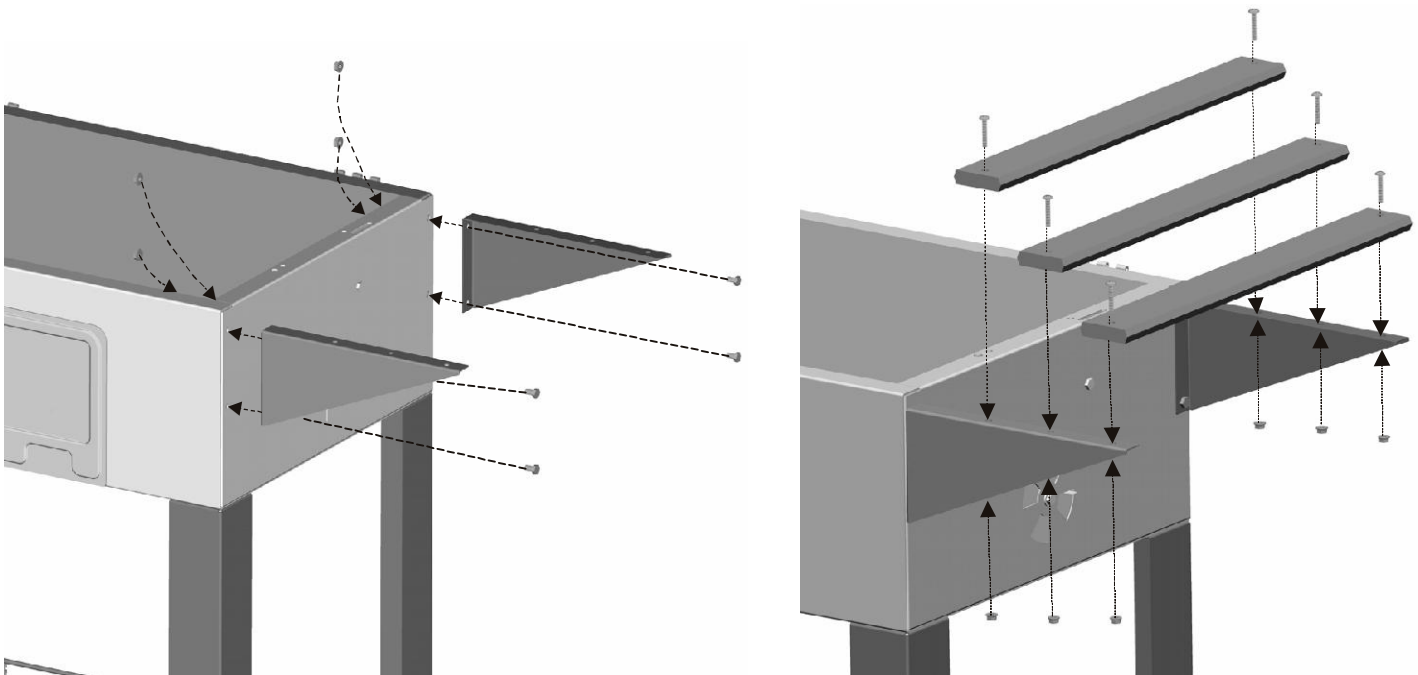


# 10

Lid removed for clarity

- Attach left and right shelf brackets to front of bottom section of grill using (2) 1/4-20x1/2" (12.7mm) long hex screws and (2) 1/4" flange nuts each. Repeat process on other end.

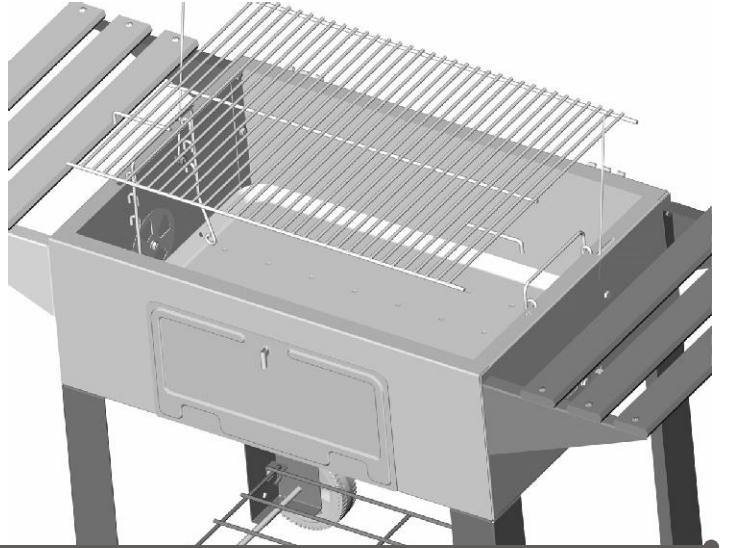
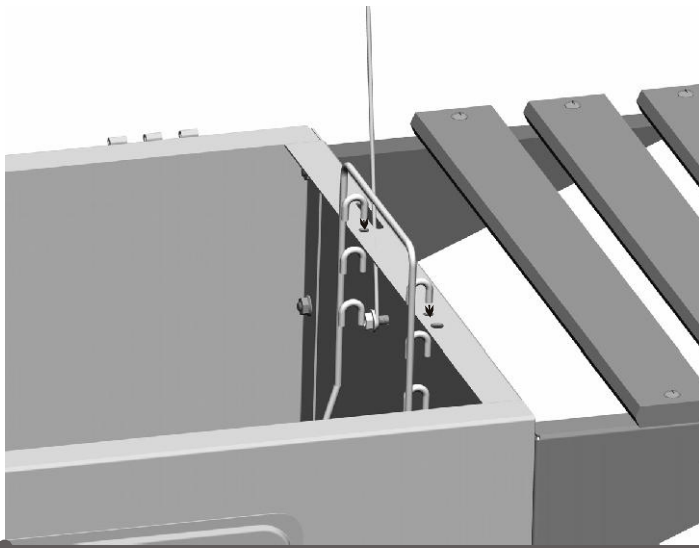
- Attach (3) wood slats to each set of shelf brackets using (6) #10-24x1-1/4" (31.8mm) screws and flange nuts. DO NOT TIGHTEN UNTIL ALL SLATS ARE ATTACHED.



# 11

- Attach a wire ash pan hanger to each end of the ash pan. Once attached hanger hooks should be facing away from ash pan.

- Lower ash pan into bottom section. Set hooks into holes in each end of the lower body. Raise and lower ash pan as desired for temperature control.
- Place the cooking grid into position as shown.



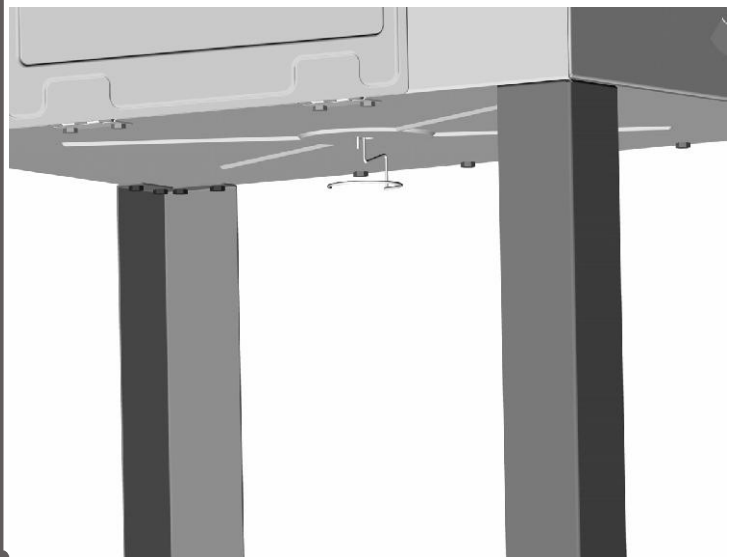
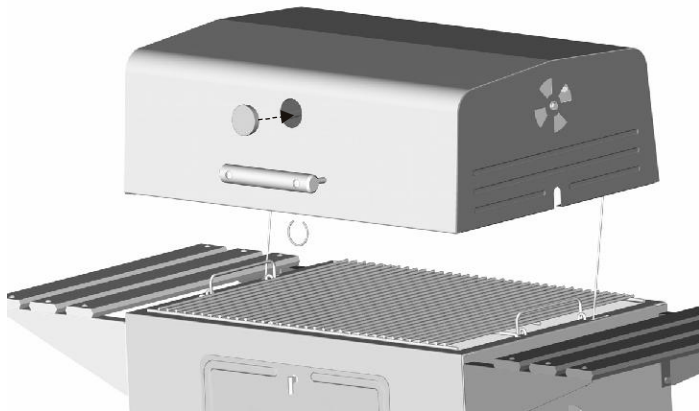
# 12

- Place temperature gauge through hole above front handle. Attach round retention clip to backside of gauge as shown.

# 13

- To install grease can holder, insert hook through the large hole from the bottom and seat hook into smaller hole.

Your SANTA FE GRILL is now ready for use. Please be sure to follow instructions for care and use found on the next page.



## PREPARING TO USE YOUR SANTA FE GRILL

Before cooking with your Santa Fe Grill, the following steps should be closely followed to both cure the finish and season the interior steel. Failure to properly follow these steps may damage the finish and/or impart metallic flavors to your first foods.

1. Brush all interior surfaces including grills and grates with vegetable cooking oil.
2. Build a small fire on the ash pan, being sure not to lay coals against the walls.
3. Close lid. Position butterflies at approximately one quarter open. This burn should be sustained for at least two hours. Begin increasing temperature by opening the butterflies halfway and adding more charcoal. Your Santa Fe Grill is now ready for use.

Rust can appear on the inside of your grill. Maintaining a light coat of vegetable oil on interior surfaces will aid in the protection of your grill. Exterior surfaces of the grill may need occasional touch up. We recommend the use of commercially available black high temperature spray paint. NEVER PAINT THE INTERIOR OF THE UNIT!

## GRILLING

Charcoal is recommended, however wood or a combination of both may be used as the fuel source for grilling, with the fuel source placed and ignited on the ash pan. Do not build too large of a fire. We recommend starting a fire with no more than 4 pounds of charcoal (approximately 60 briquets) and adding more as needed during cooking. After allowing the fire to burn down, place the cooking grill in the unit. Failure to read and follow instructions for lighting charcoal may result in serious personal injury and or property damage.

## GRILL MAINTENANCE

Frequency of clean up is determined by how often the grill is used. Make sure coals are completely extinguished before cleaning inside of unit. Thoroughly rinse with water and allow to air dry before using again. Wipe out the interior of unit with cloth or paper towel.



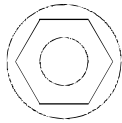
### WARNING



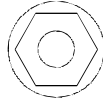
- Most surfaces on this unit are hot when in use. Use extreme caution. Keep others away from unit. Always wear protective clothing to prevent injury.
- Keep children and pets away.
- Do not move this unit during operation.
- Never substitute gasoline, kerosene or alcohol for charcoal starter. In some states, the use of charcoal starter is prohibited by law. In this case, paraffin-based starter cubes can be substituted for charcoal starter. Never use charcoal starter fluid with an electric starter.

# HARDWARE LIST

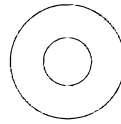
Hardware is shown actual size. You may have spare hardware after assembly is complete.



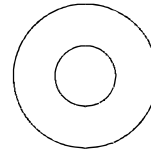
1/4-20  
Flange Nut  
Qty. 26



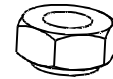
#10-24  
Flange Nut  
Qty. 12



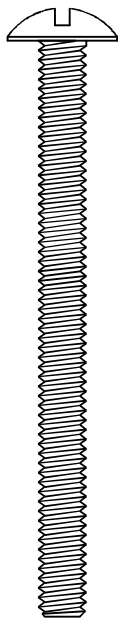
1/4"  
Flat Washer  
Qty. 6



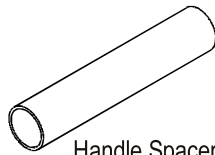
3/8"  
Washer  
Qty. 2



#10-22  
Reversible Lock Nut  
Qty. 6



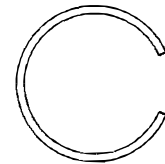
#10-20x3"  
Screw  
Qty. 2



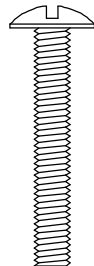
Handle Spacer  
Qty. 2



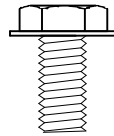
Cotter Pin  
Qty:2



Retention Clip  
Qty. 1



#10-24x1-1/4"  
Screw  
Qty. 12



1/4-20x1/2"  
Hex Screw  
Qty. 42

## Limited Warranty

CHARBROIL warrants the Santa Fe Grill for replacement or repair of parts and/or workmanship for a period of ninety (90) days. Charbroil warrants to the original Santa Fe Grill owner repair or replacement of the cooking chamber only should "burn-out" or rust through occur for a period of 1 year. Paint is not warranted and will require touch up.

These limited warranties are made exclusively to the original customer presenting proof of purchase. These warranties are limited to non-commercial residential use only. Any returned goods must be shipped prepaid. These warranties do not cover normal wear and tear or damages resulting from abuse or misuse. This warranty excludes incidental or consequential cost due to damages or losses or property of any nature.

NOTICE: Some states do not allow the exclusion or limitation of incidental or consequential damages or limitations on how long an implied warranty lasts, so the above limitations or exclusions may not apply to you. This warranty gives you specific legal rights and you may also have other legal rights which may vary from state to state.

For further information, contact CHARBROIL, toll free at 1-800-232-3398.

**Char-Broil**<sup>®</sup>

KEEPERS OF THE FLAME  
Columbus, GA

TOLL FREE 1-800-232-3398  
Visit our web site at [www.charbroil.com](http://www.charbroil.com)