

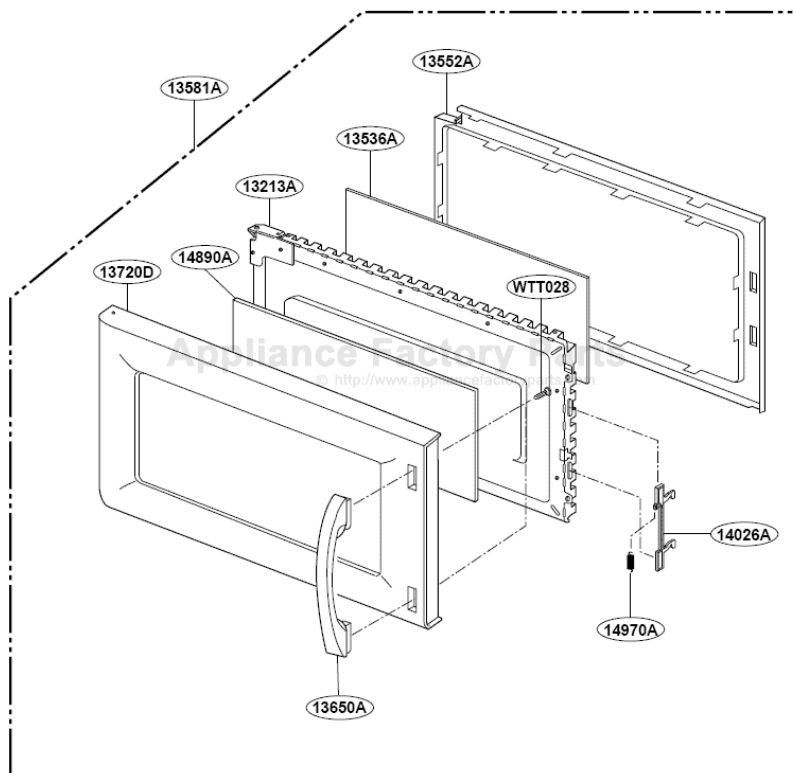
This Owner's Manual is provided and hosted by [Appliance Factory Parts](http://www.ApplianceFactoryParts.com).



WHIRLPOOL MH6140XKB-1 Owner's Manual

[Shop genuine replacement parts for WHIRLPOOL
MH6140XKB-1](#)

DOOR PARTS

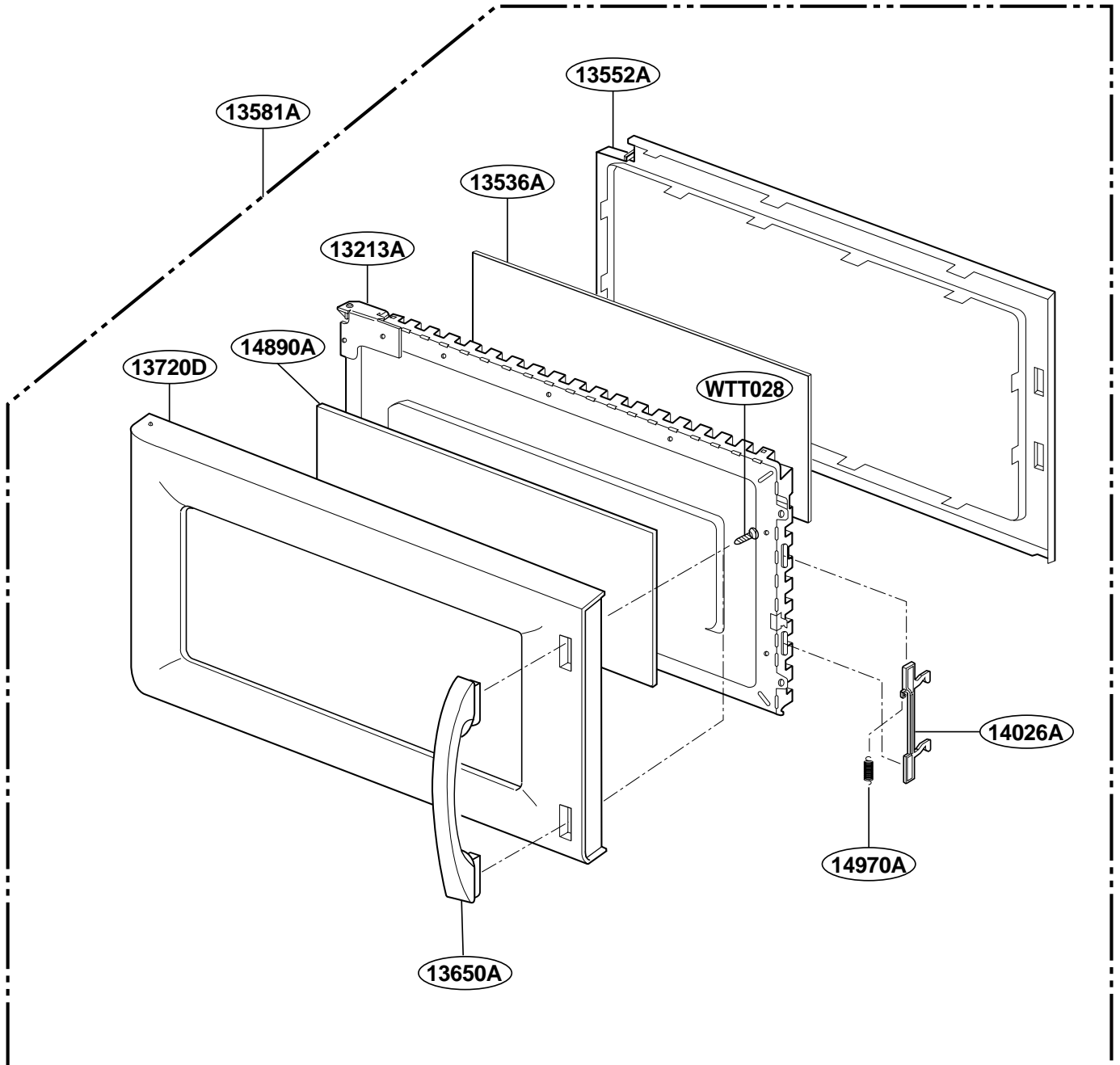


[Find Your WHIRLPOOL Microwave Parts - Select From 1350 Models](#)

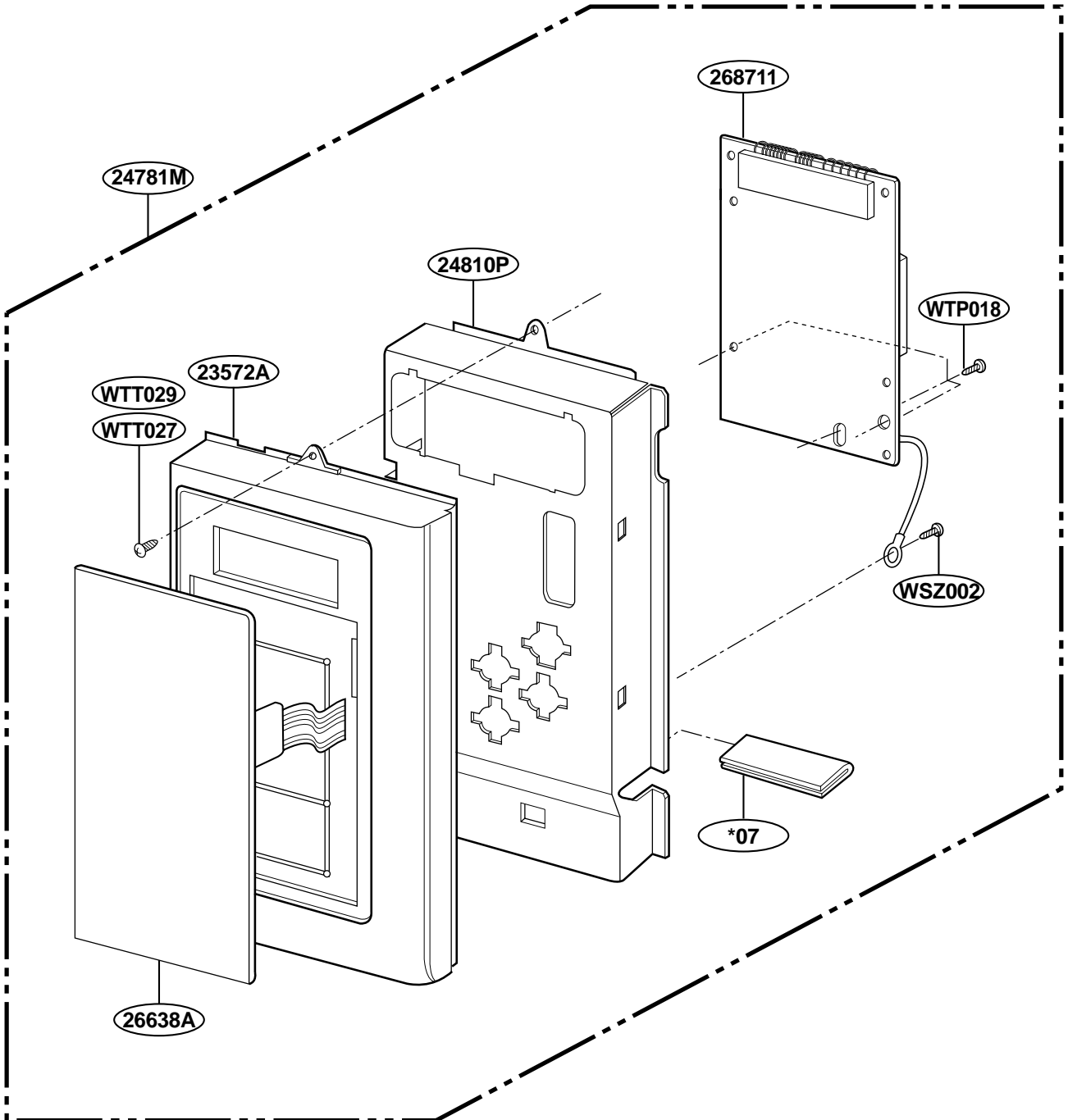
----- Manual continues below -----

EXPLODED VIEW

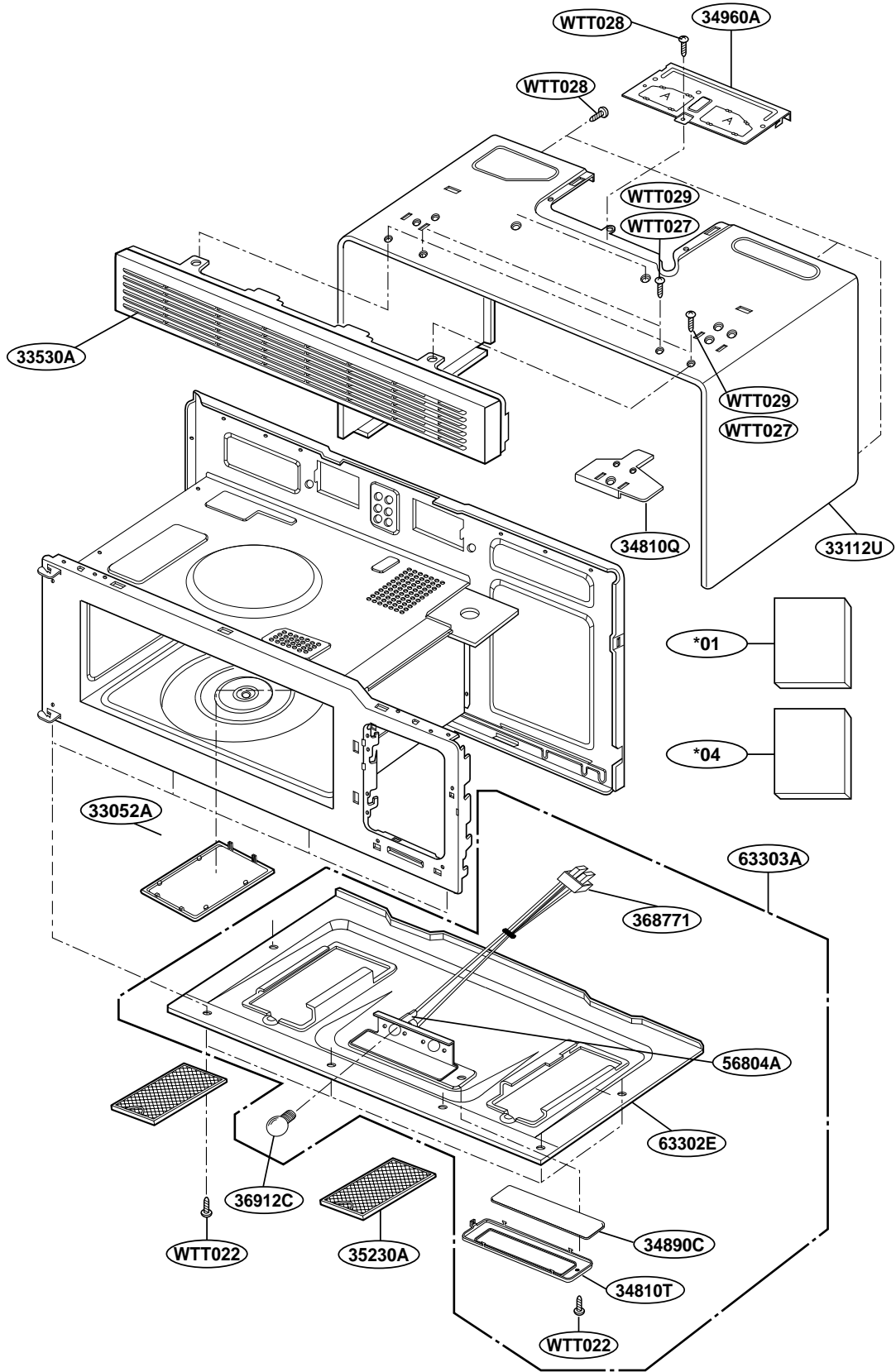
MODEL : MH6140XK
MH6141XK DOOR PARTS



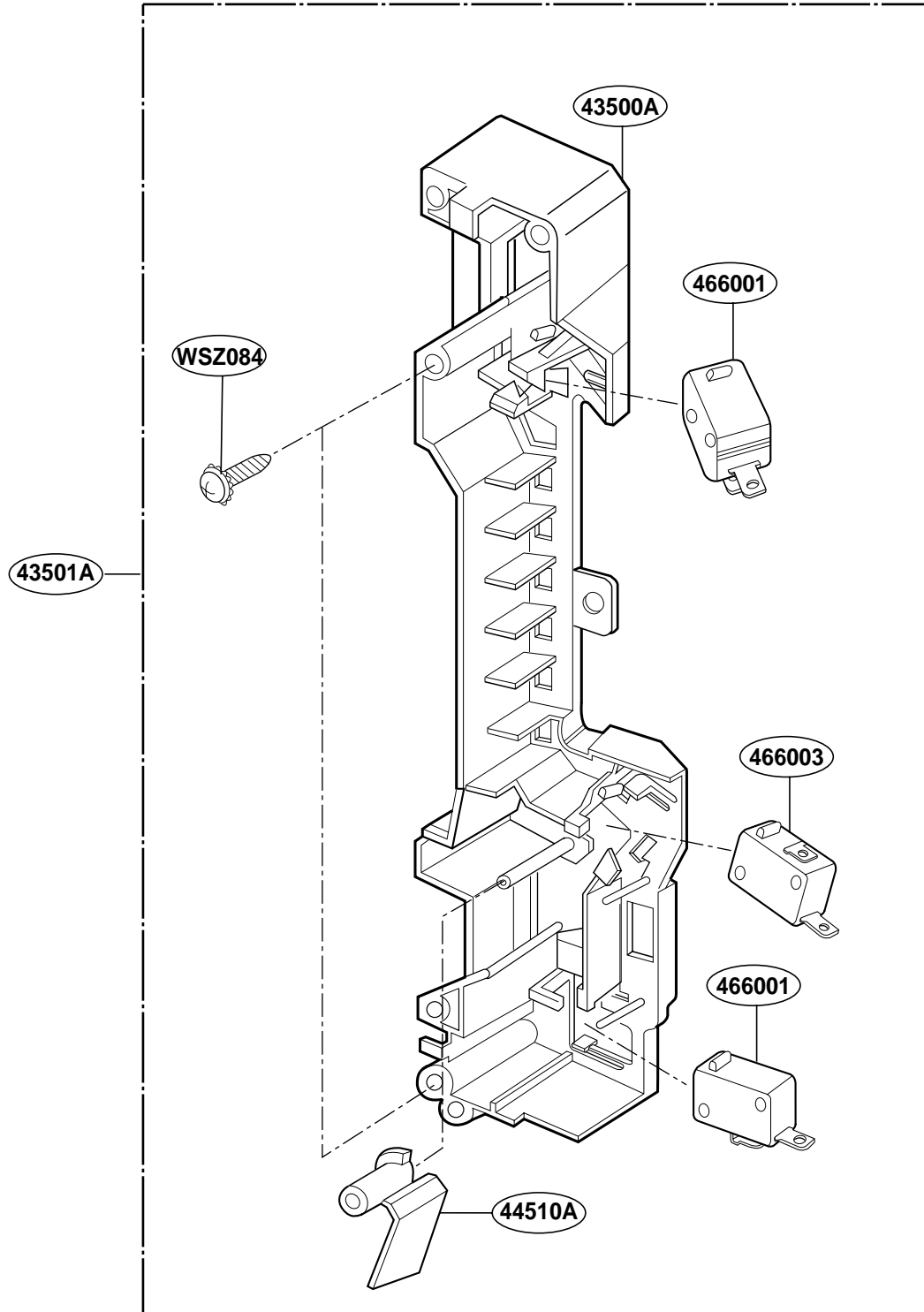
CONTROLLER PARTS



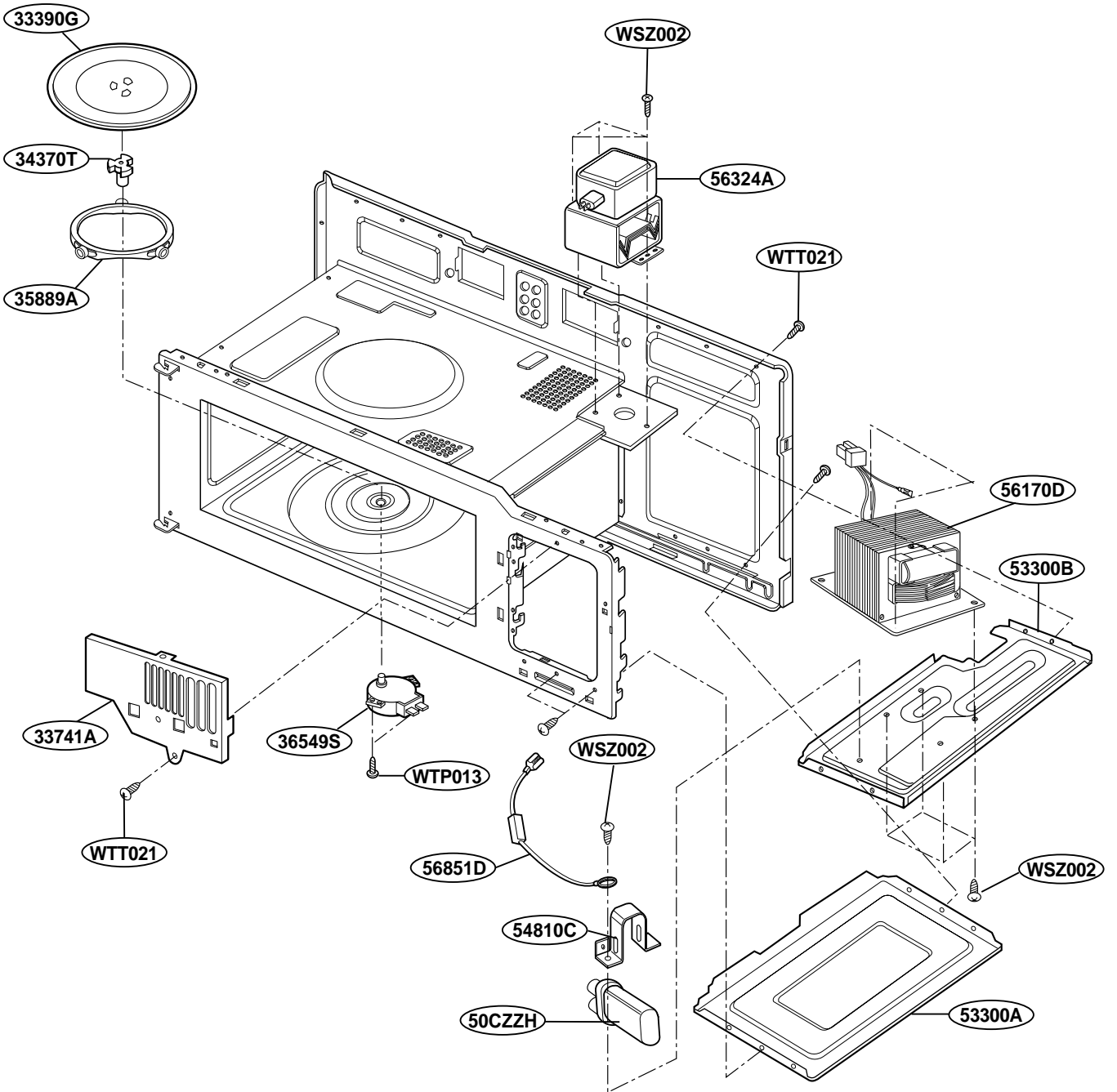
OVEN CAVITY PARTS



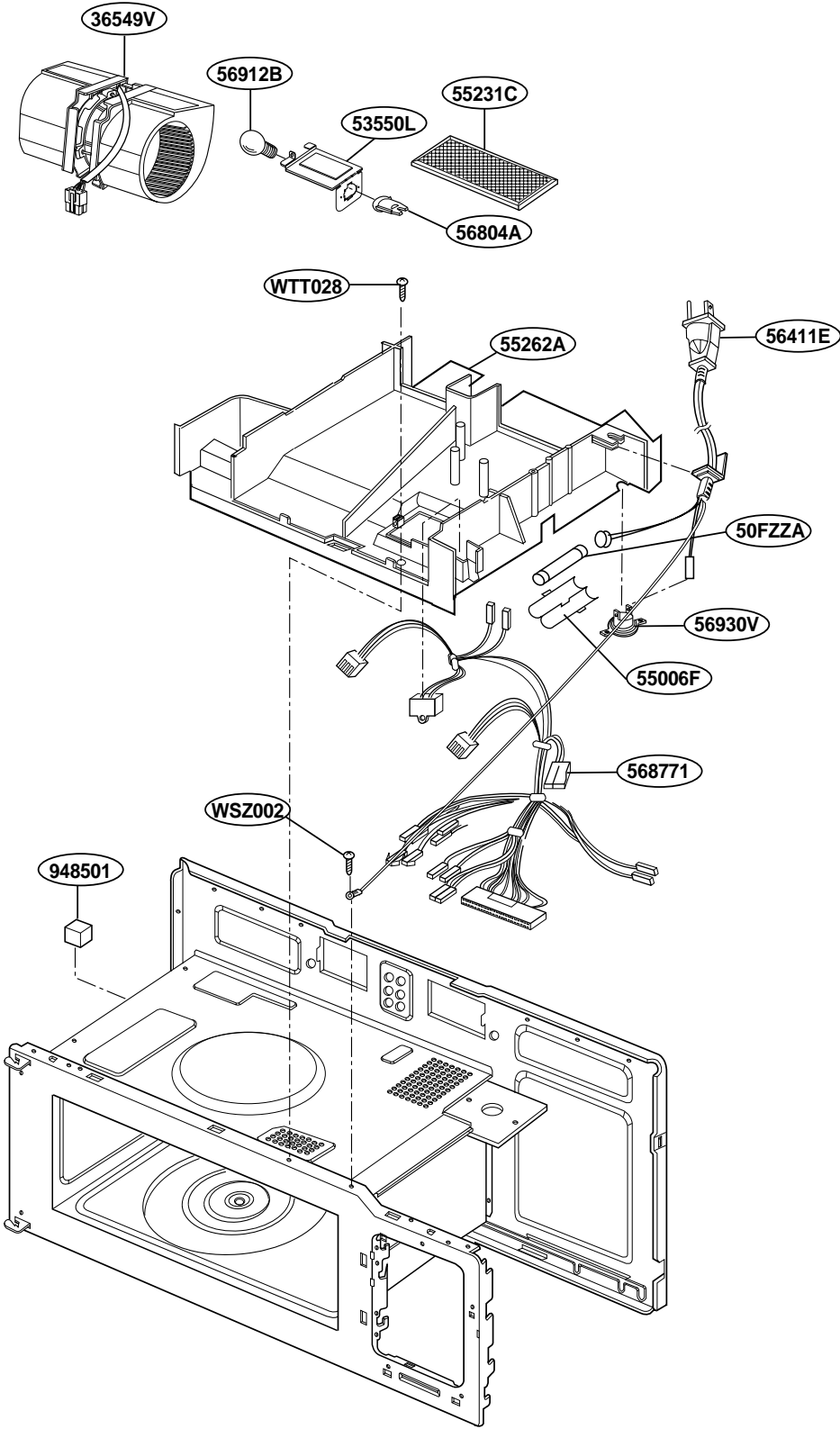
LATCH BOARD PARTS



INTERIOR PARTS(I)



INTERIOR PARTS (II)



INSTALLATION PARTS

