

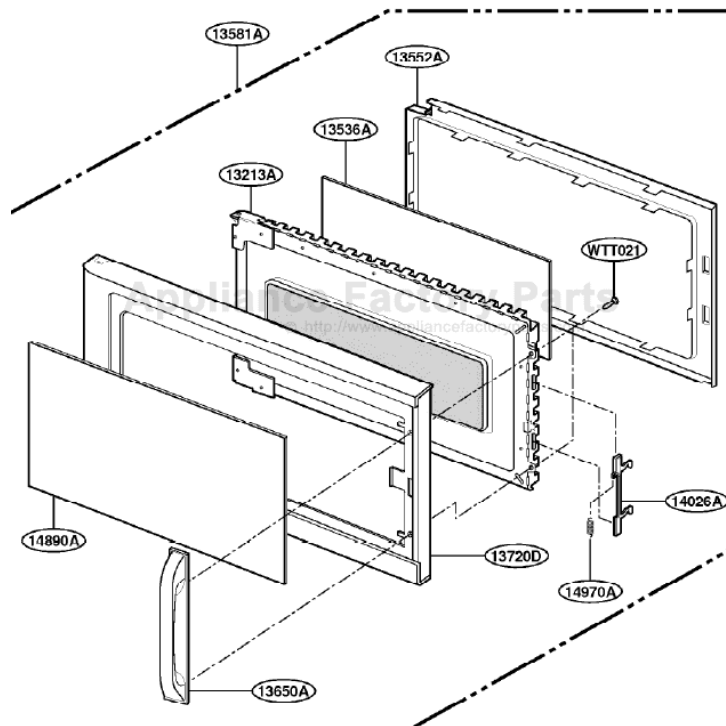
This Owner's Manual is provided and hosted by [Appliance Factory Parts](http://www.appliancefactoryparts.com).



# WHIRLPOOL MH6150XHT-1 Owner's Manual

[Shop genuine replacement parts for WHIRLPOOL  
MH6150XHT-1](#)

## DOOR PARTS



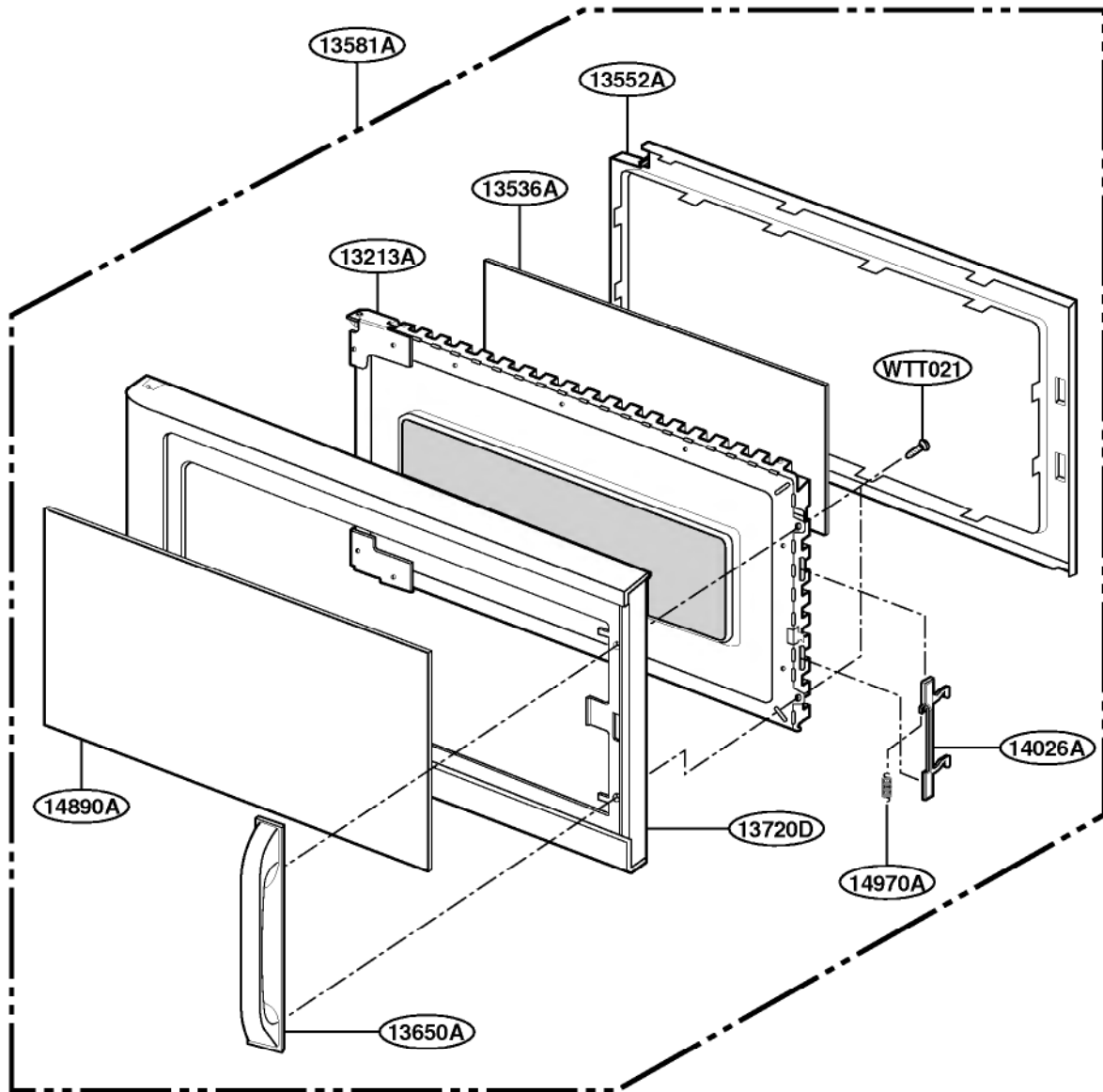
[Find Your WHIRLPOOL Microwave Parts - Select From 1350 Models](#)

----- Manual continues below -----

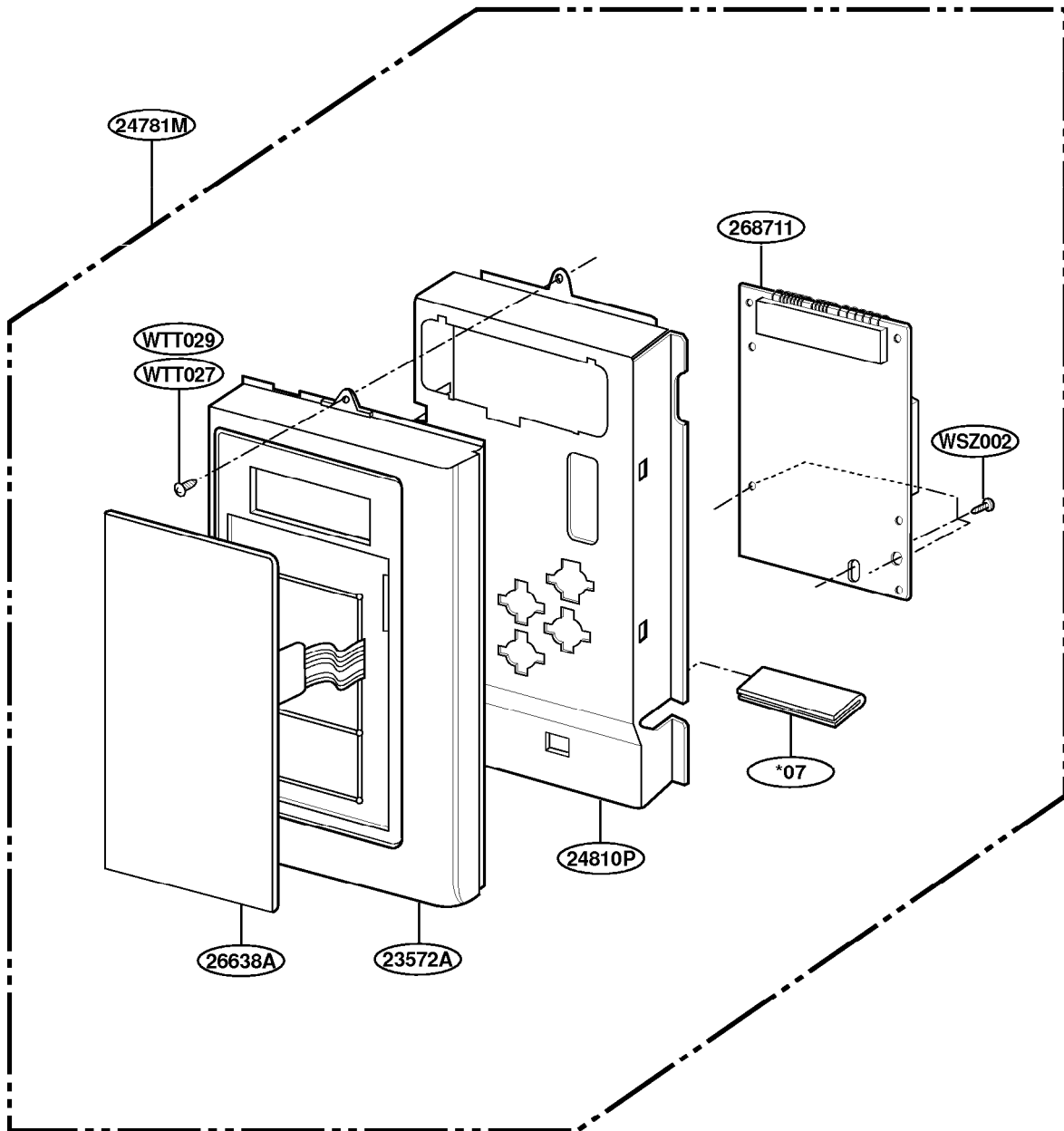
# EXPLODED VIEW

MODEL : MH6150XH

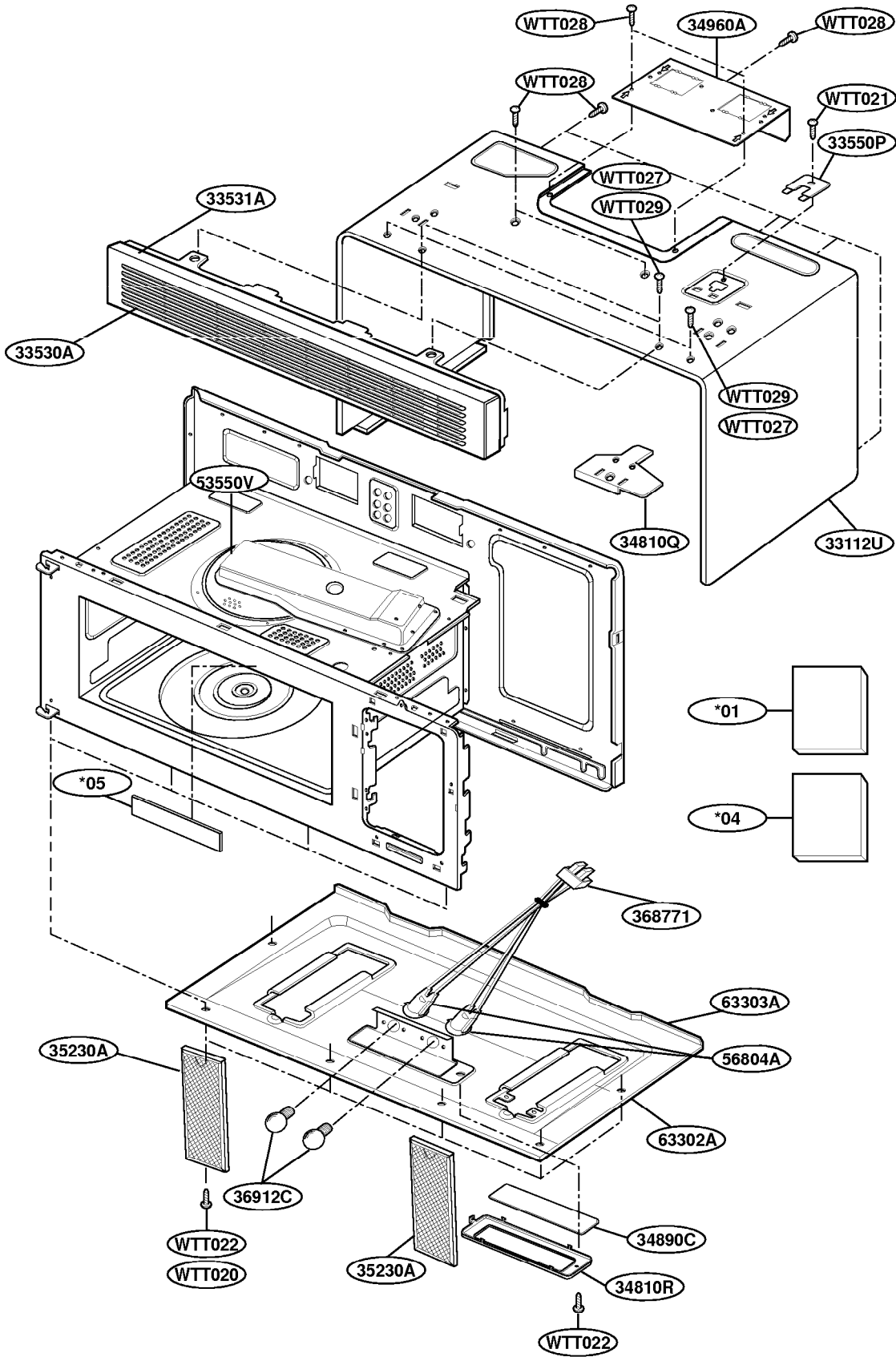
## DOOR PARTS



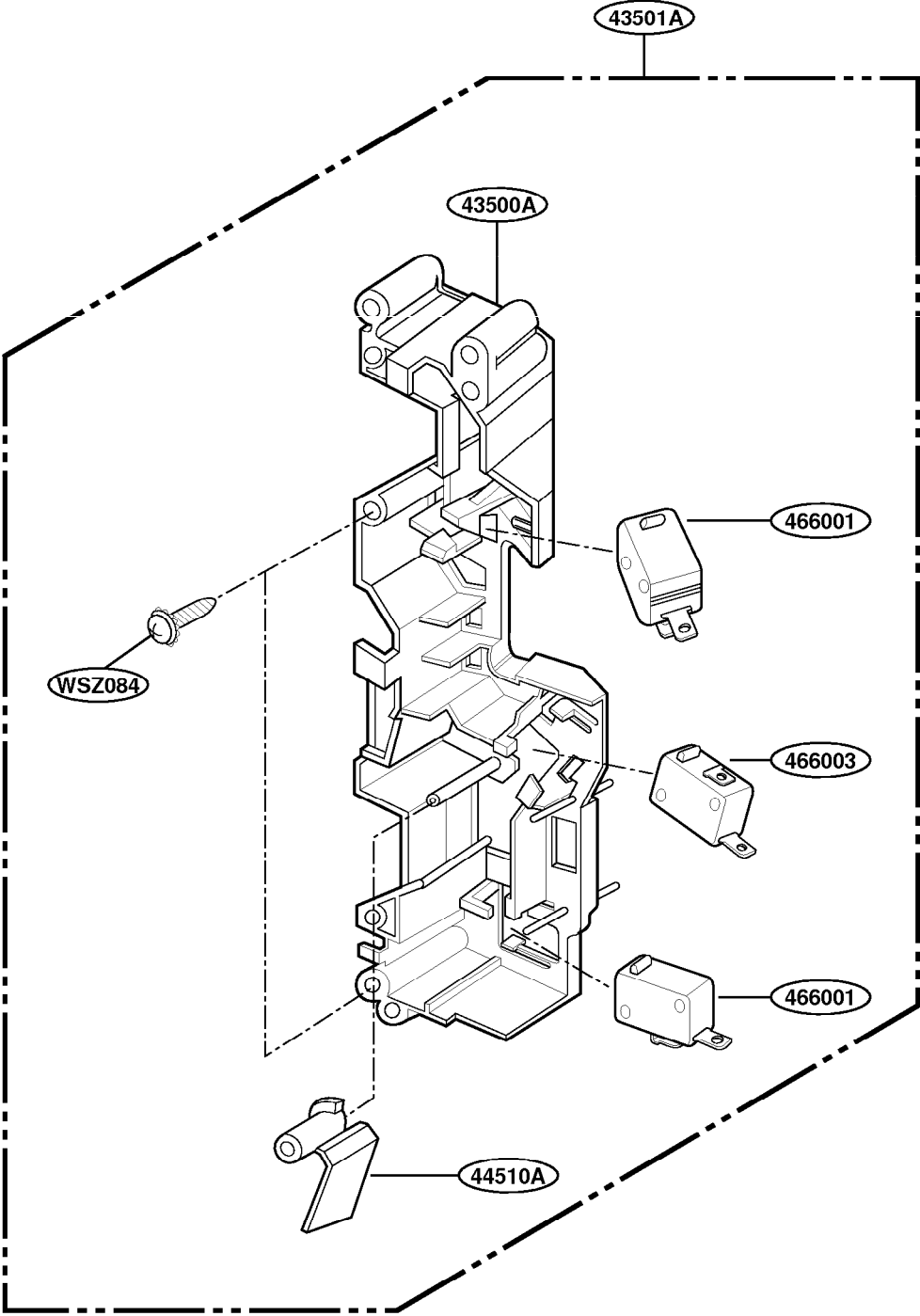
# CONTROLLER PARTS



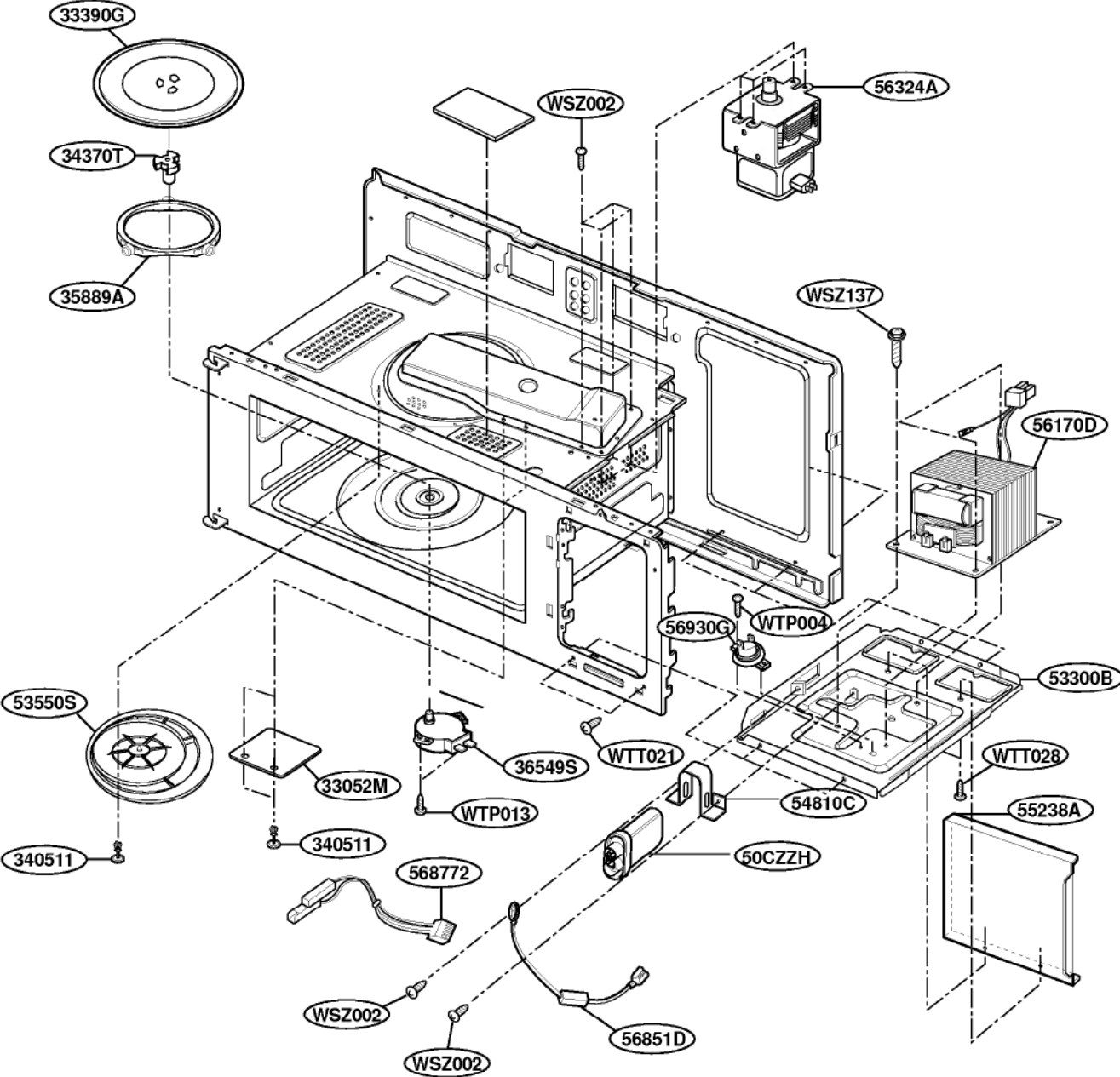
# OVEN CAVITY PARTS



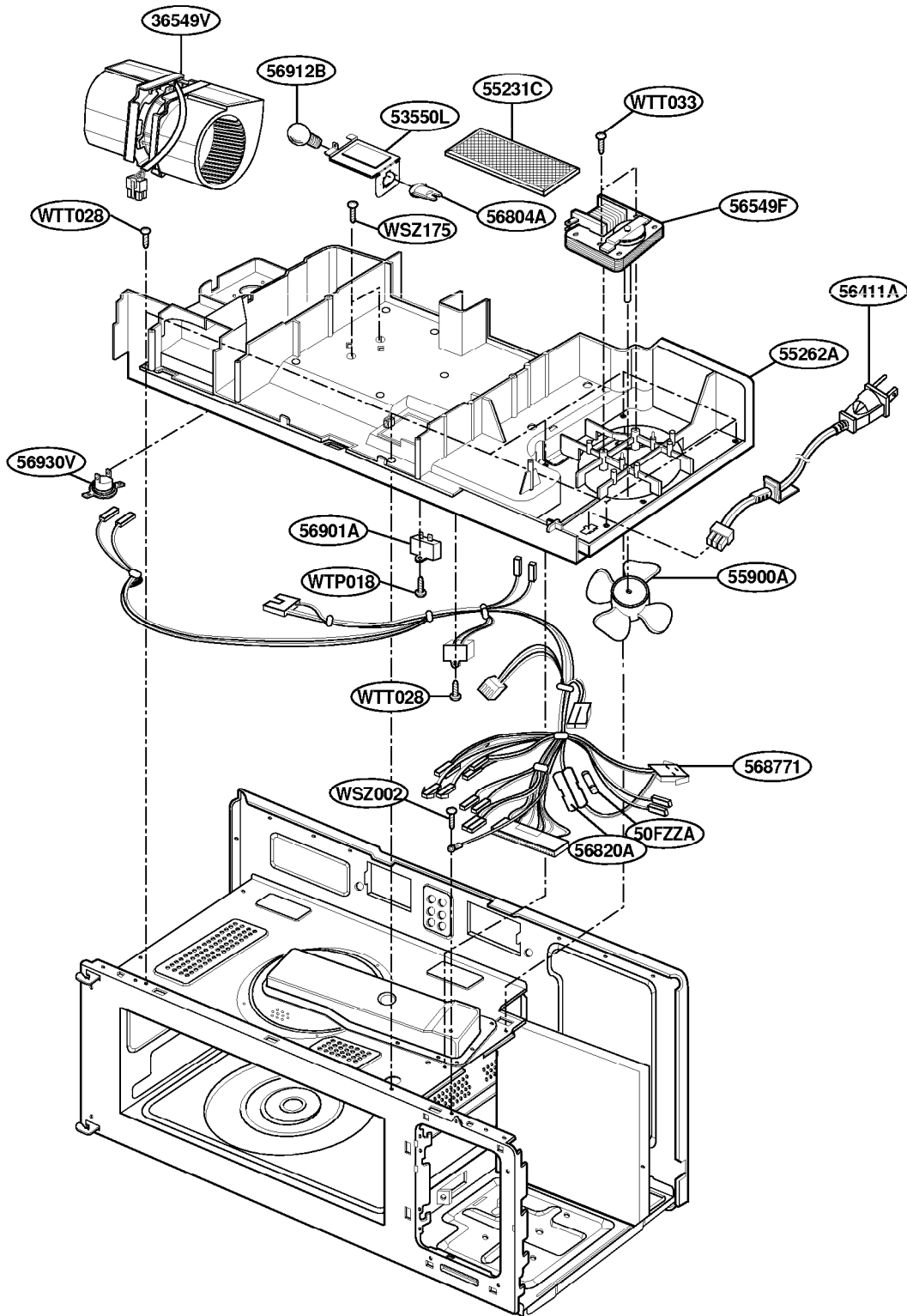
# LATCH BOARD PARTS



# INTERIOR PARTS (I)



# INTERIOR PARTS (II)



# INSTALLATION PARTS

