

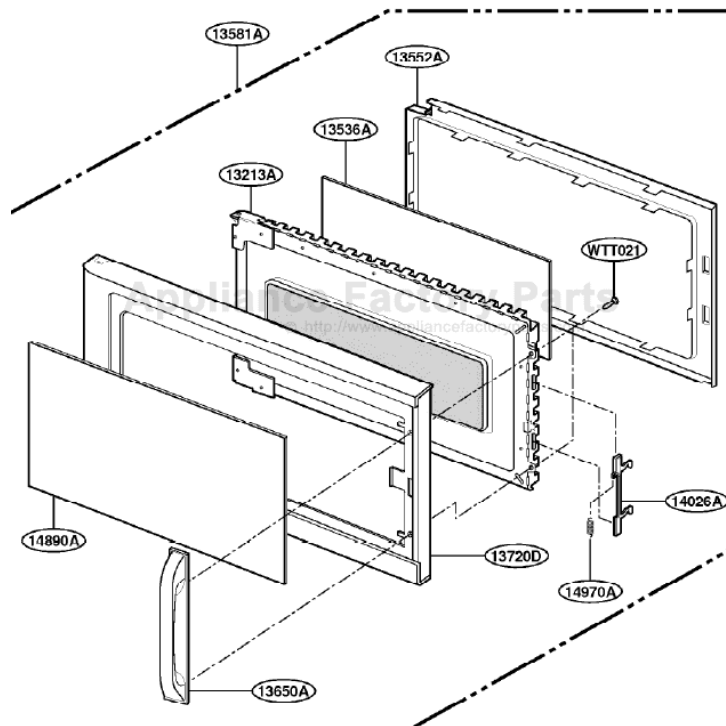
This Owner's Manual is provided and hosted by [Appliance Factory Parts](http://www.appliancefactoryparts.com).



WHIRLPOOL MH6150XLS Owner's Manual

[Shop genuine replacement parts for WHIRLPOOL
MH6150XLS](#)

DOOR PARTS



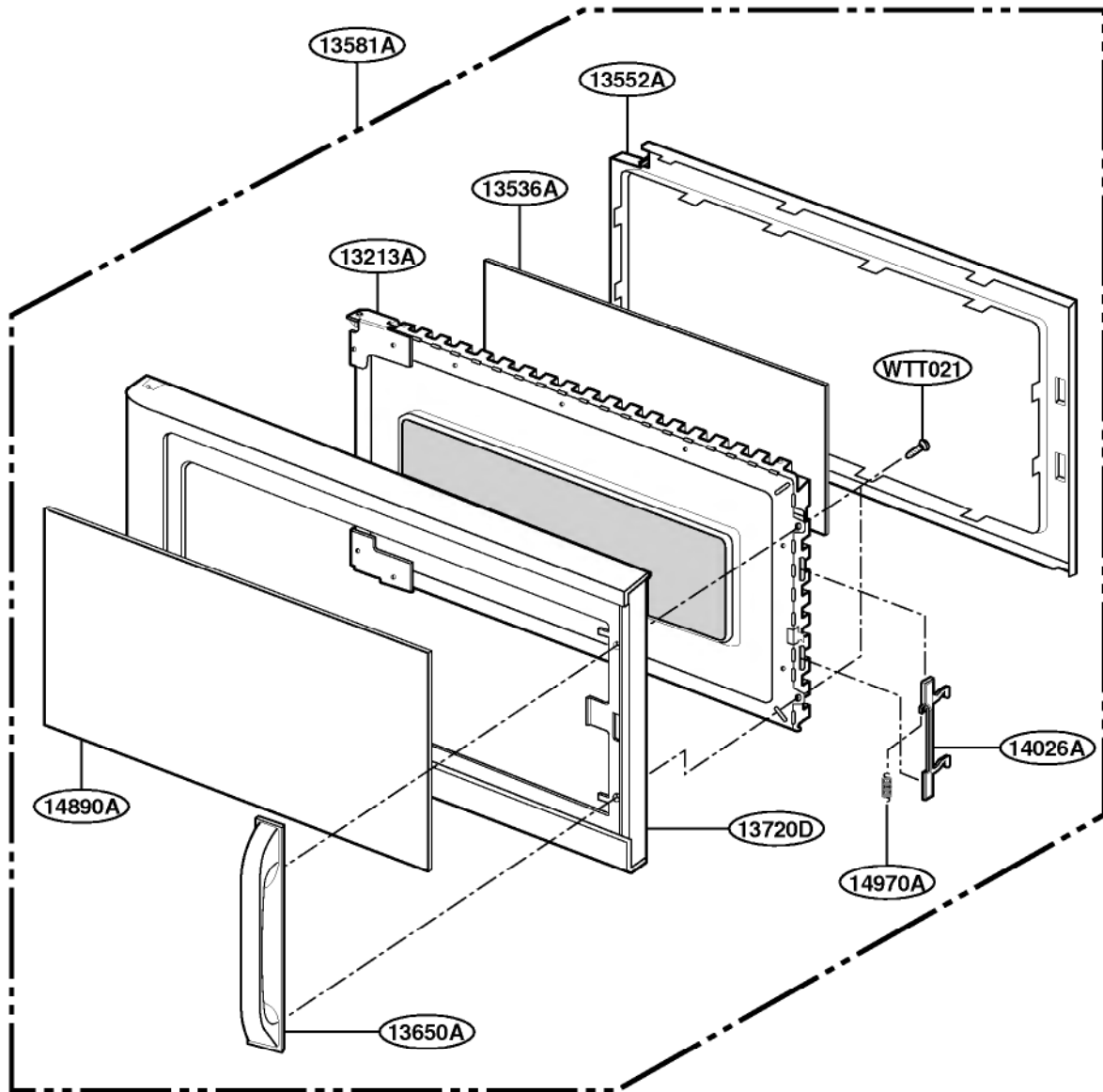
[Find Your WHIRLPOOL Microwave Parts - Select From 1350 Models](#)

----- Manual continues below -----

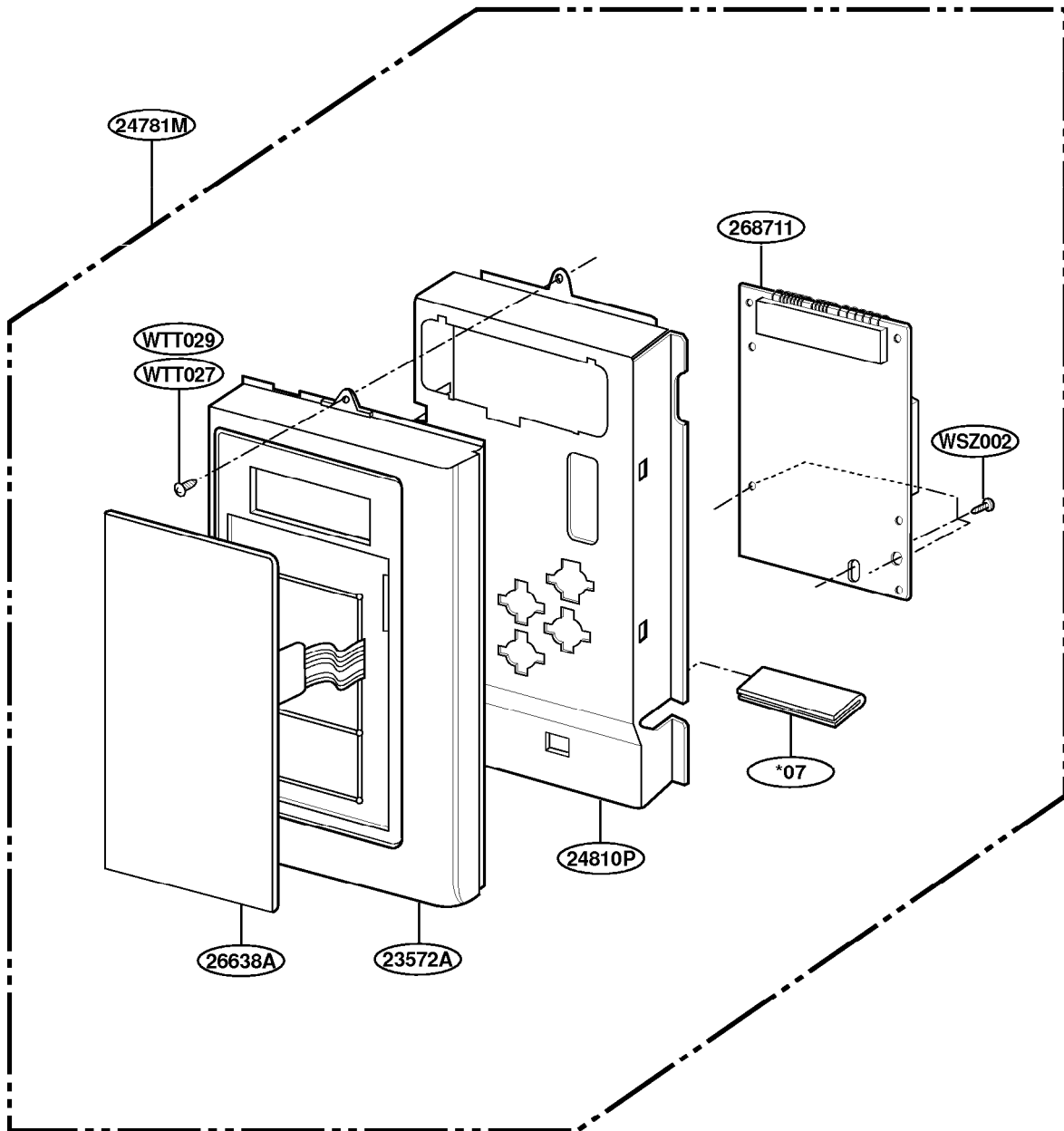
EXPLODED VIEW

MODEL : MH6150XH

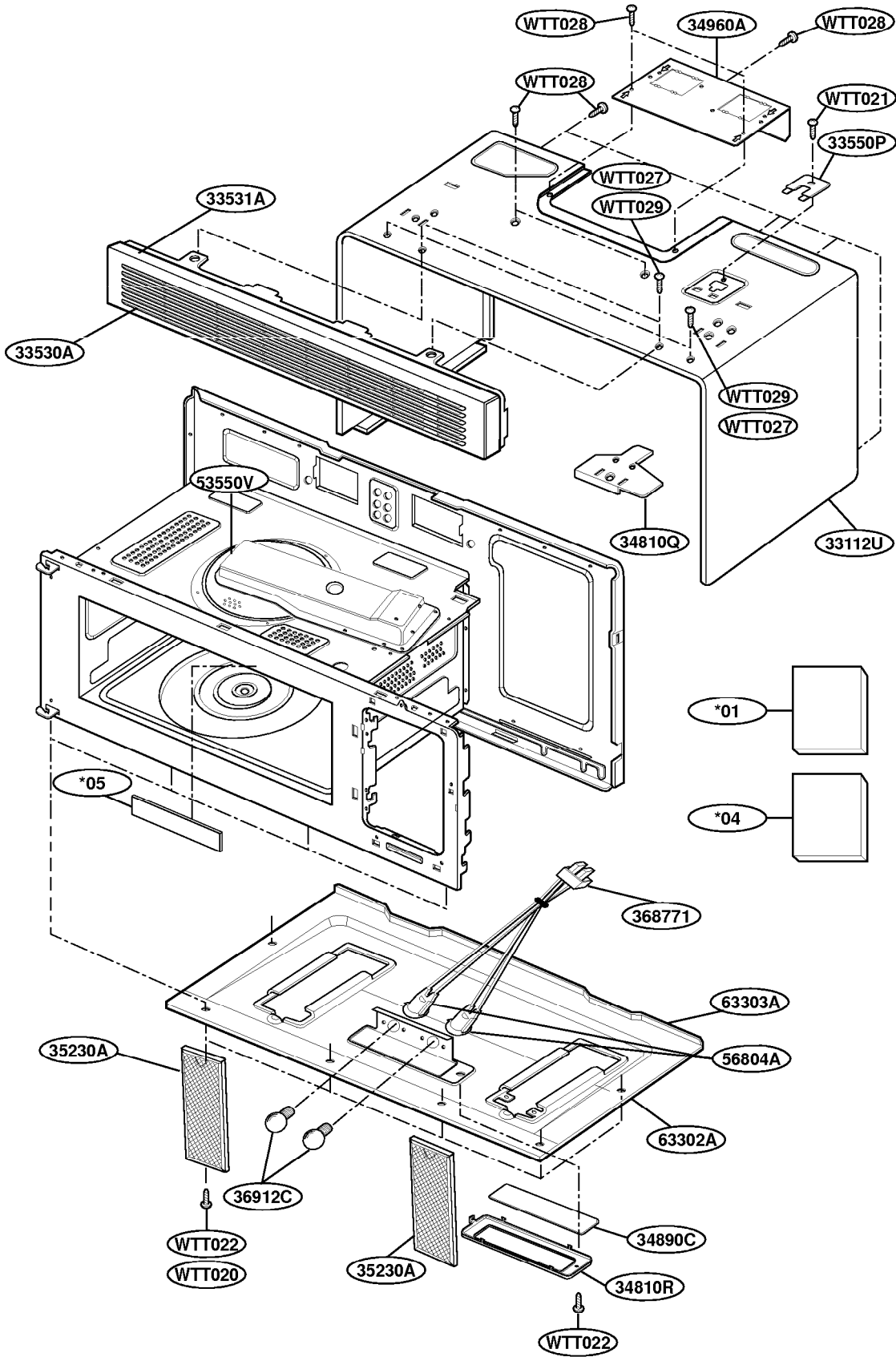
DOOR PARTS



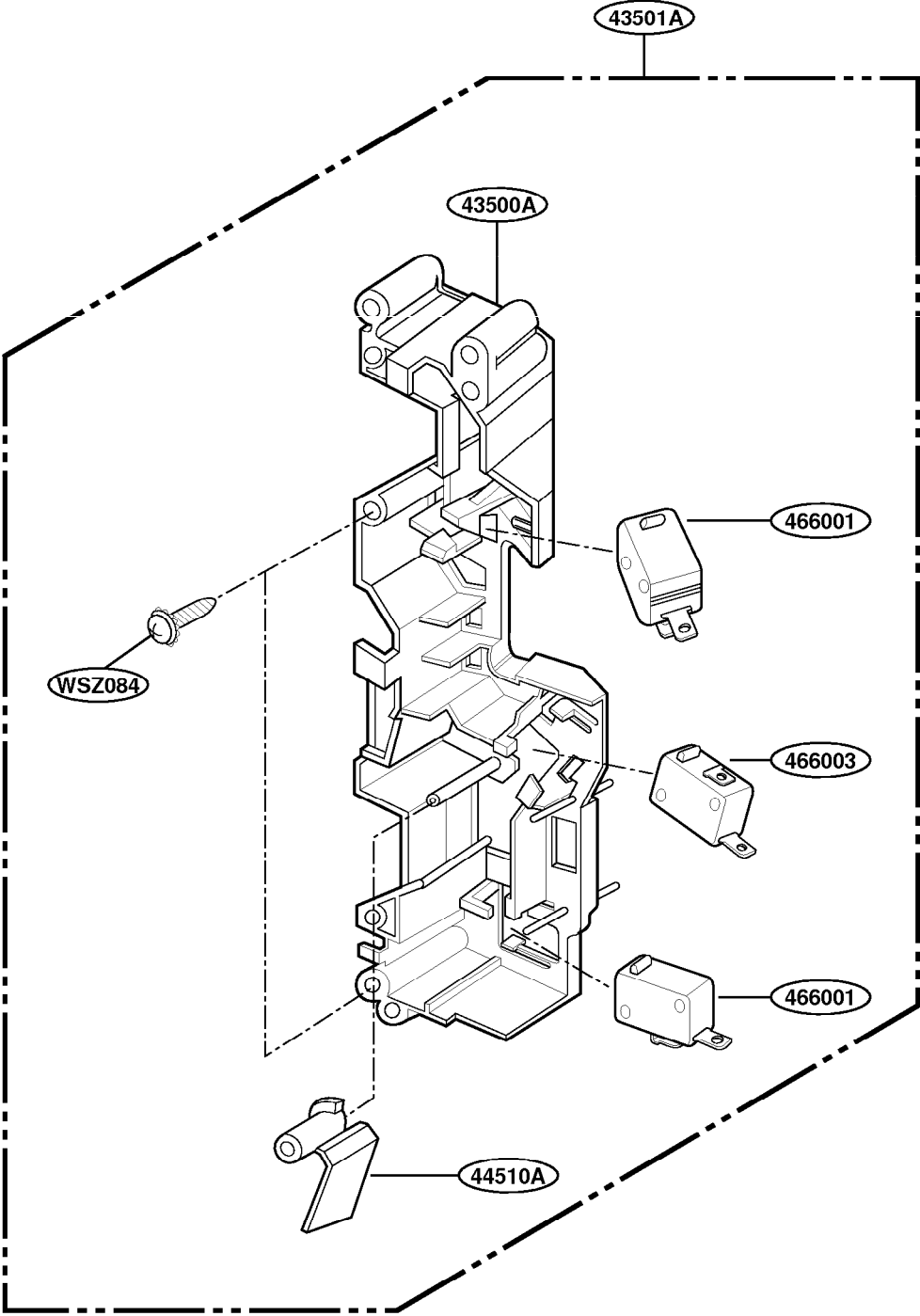
CONTROLLER PARTS



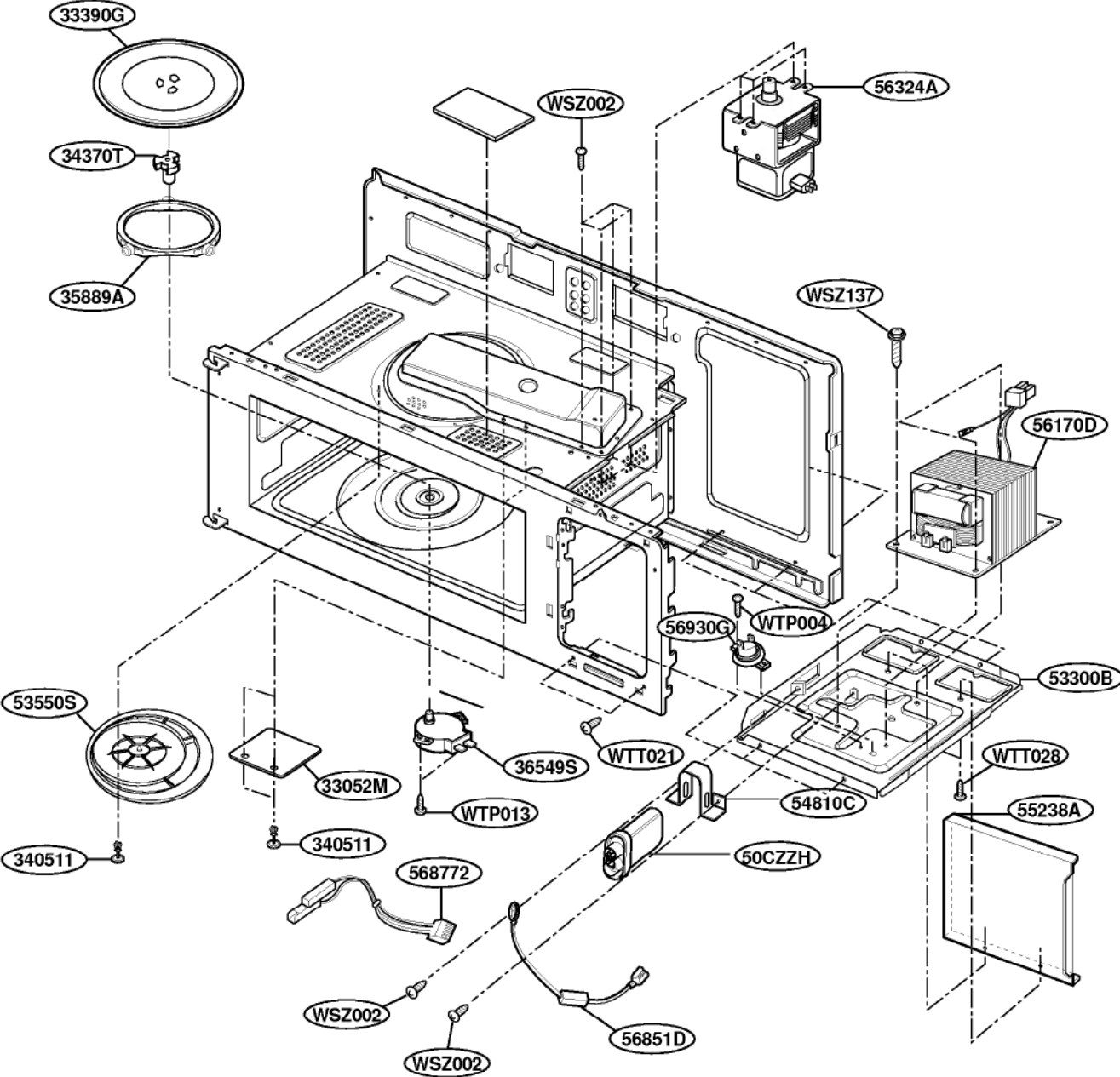
OVEN CAVITY PARTS



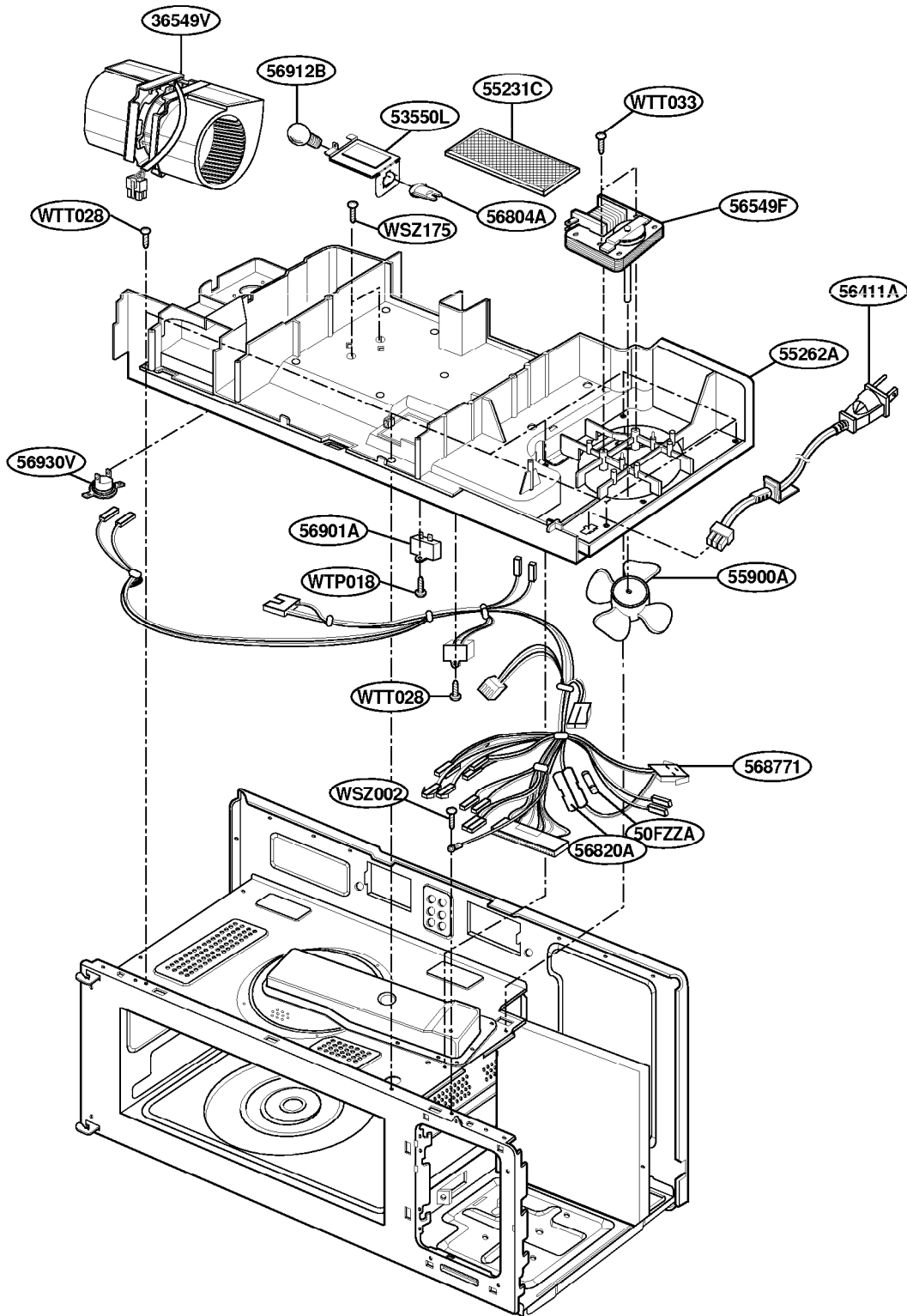
LATCH BOARD PARTS



INTERIOR PARTS (I)



INTERIOR PARTS (II)



INSTALLATION PARTS

