

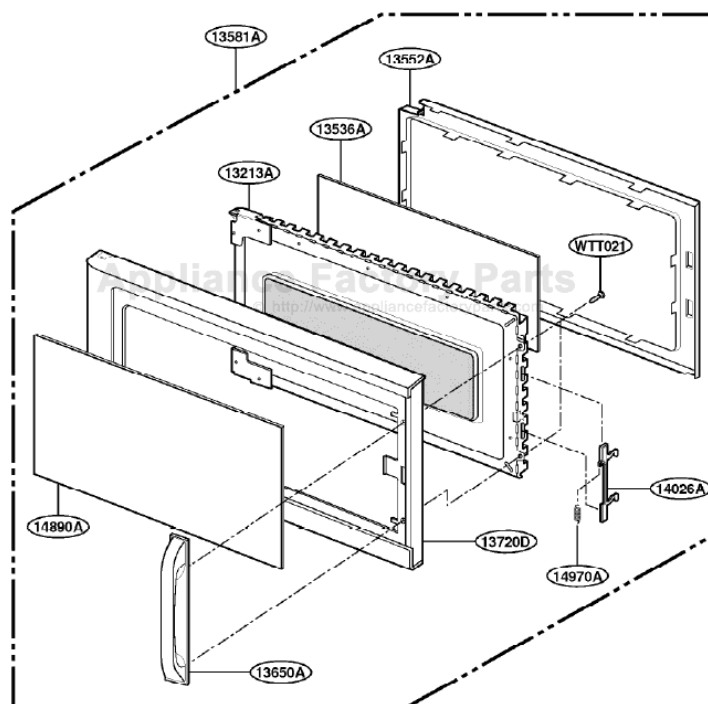
This Owner's Manual is provided and hosted by [Appliance Factory Parts](http://www.ApplianceFactoryParts.com).



WHIRLPOOL MH6151XHQ-1 Owner's Manual

[Shop genuine replacement parts for WHIRLPOOL
MH6151XHQ-1](#)

DOOR PARTS



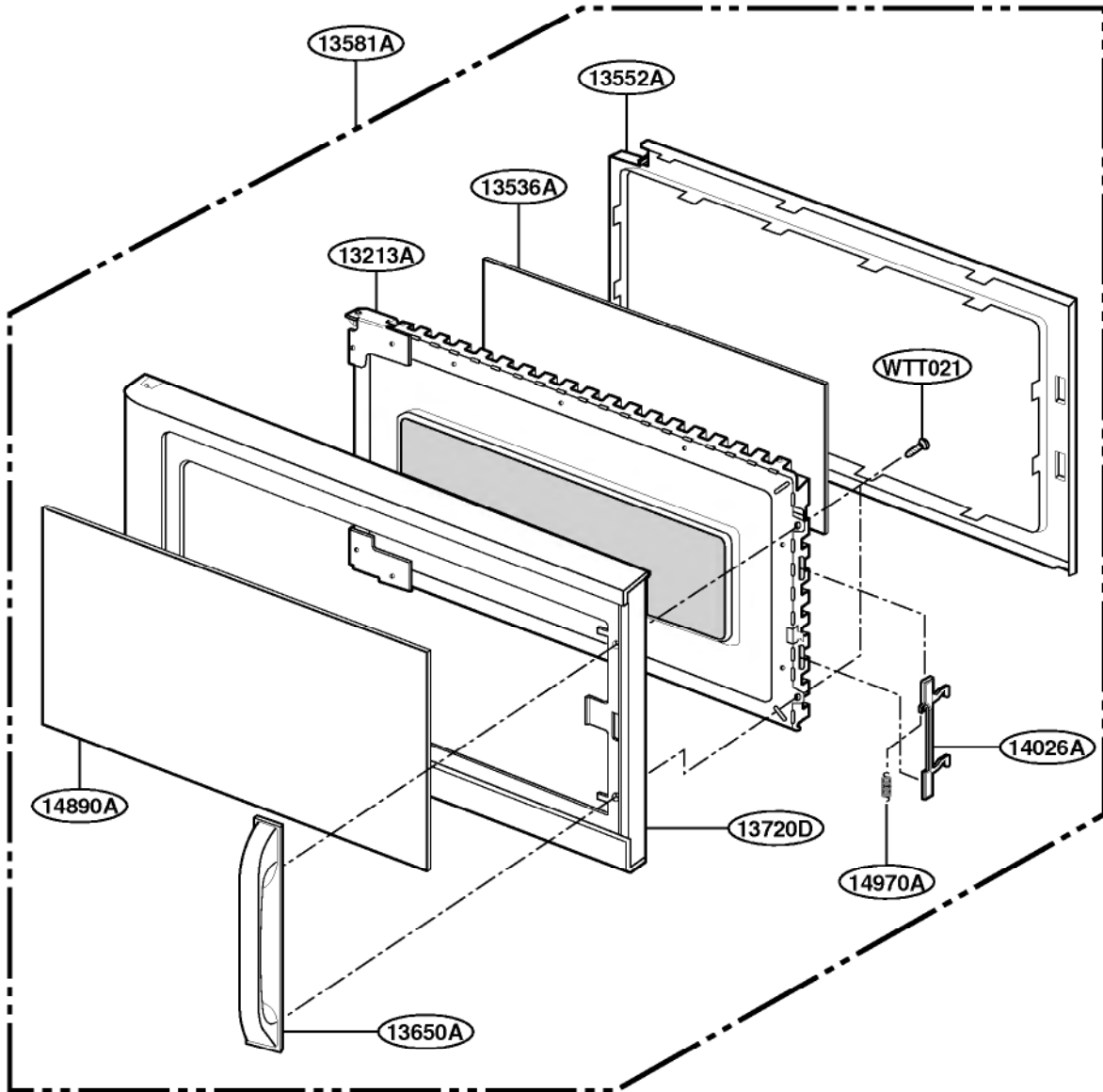
[Find Your WHIRLPOOL Microwave Parts - Select From 1350 Models](#)

----- Manual continues below -----

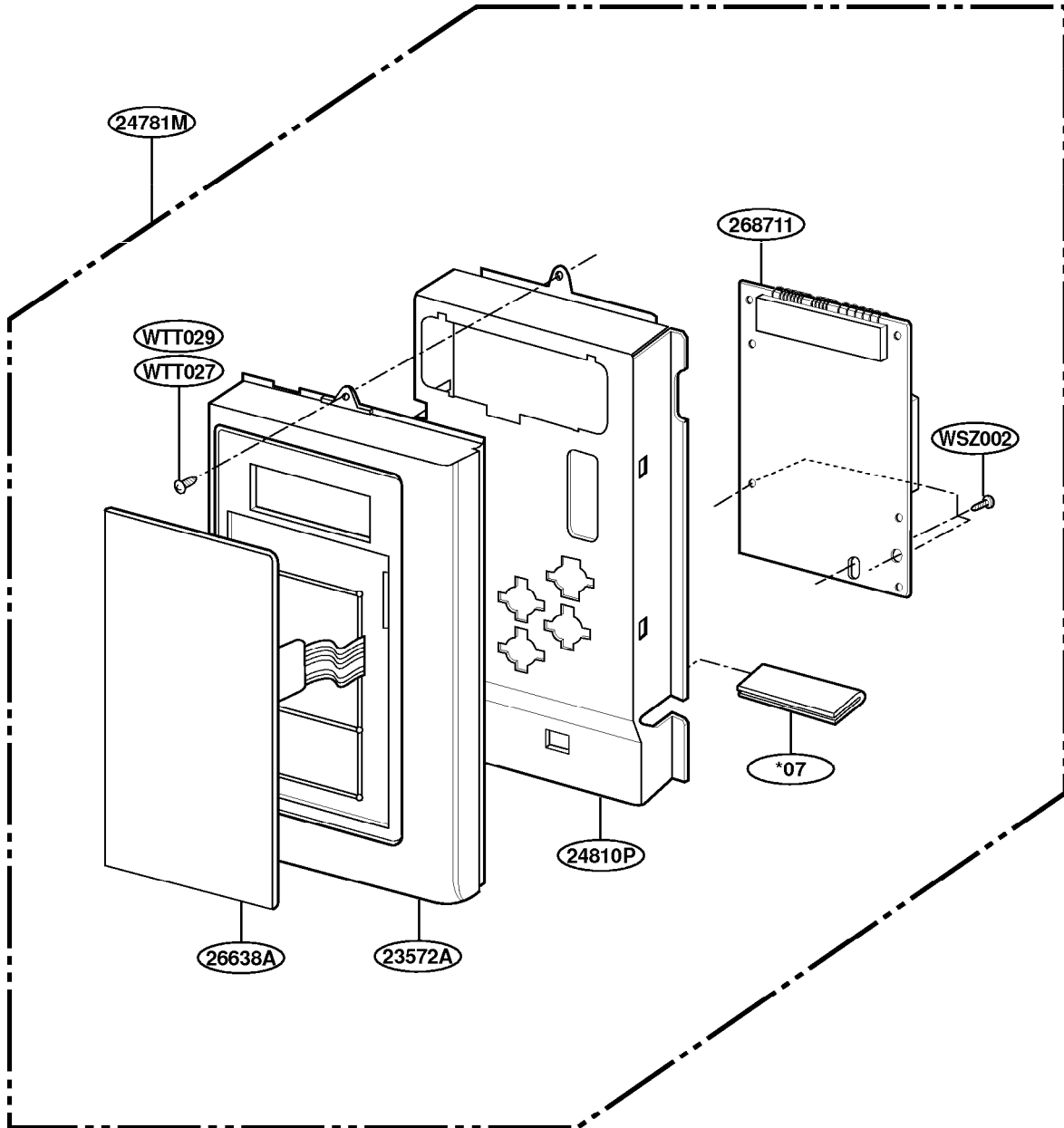
EXPLODED VIEW

MODEL : MH6151XH

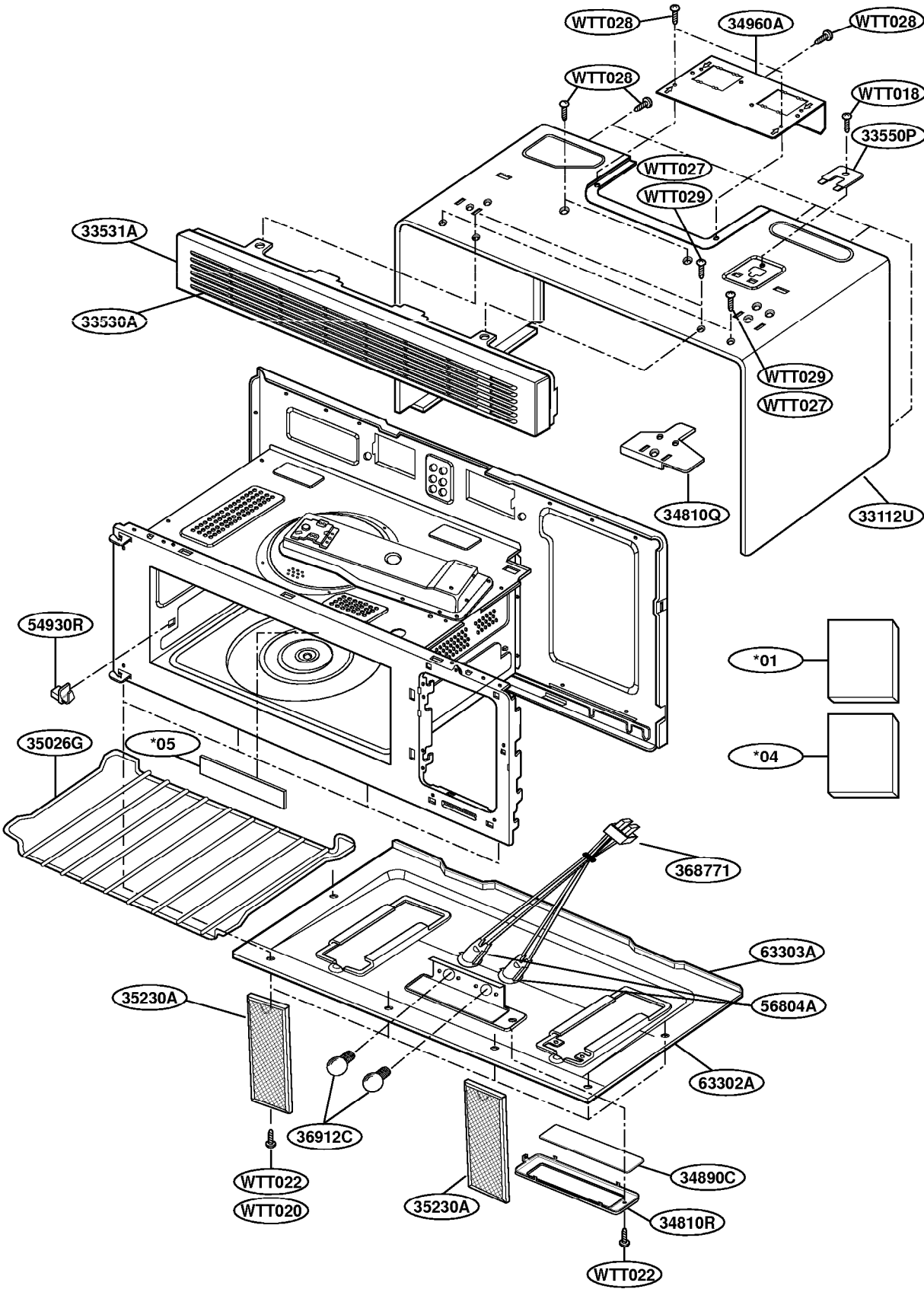
DOOR PARTS



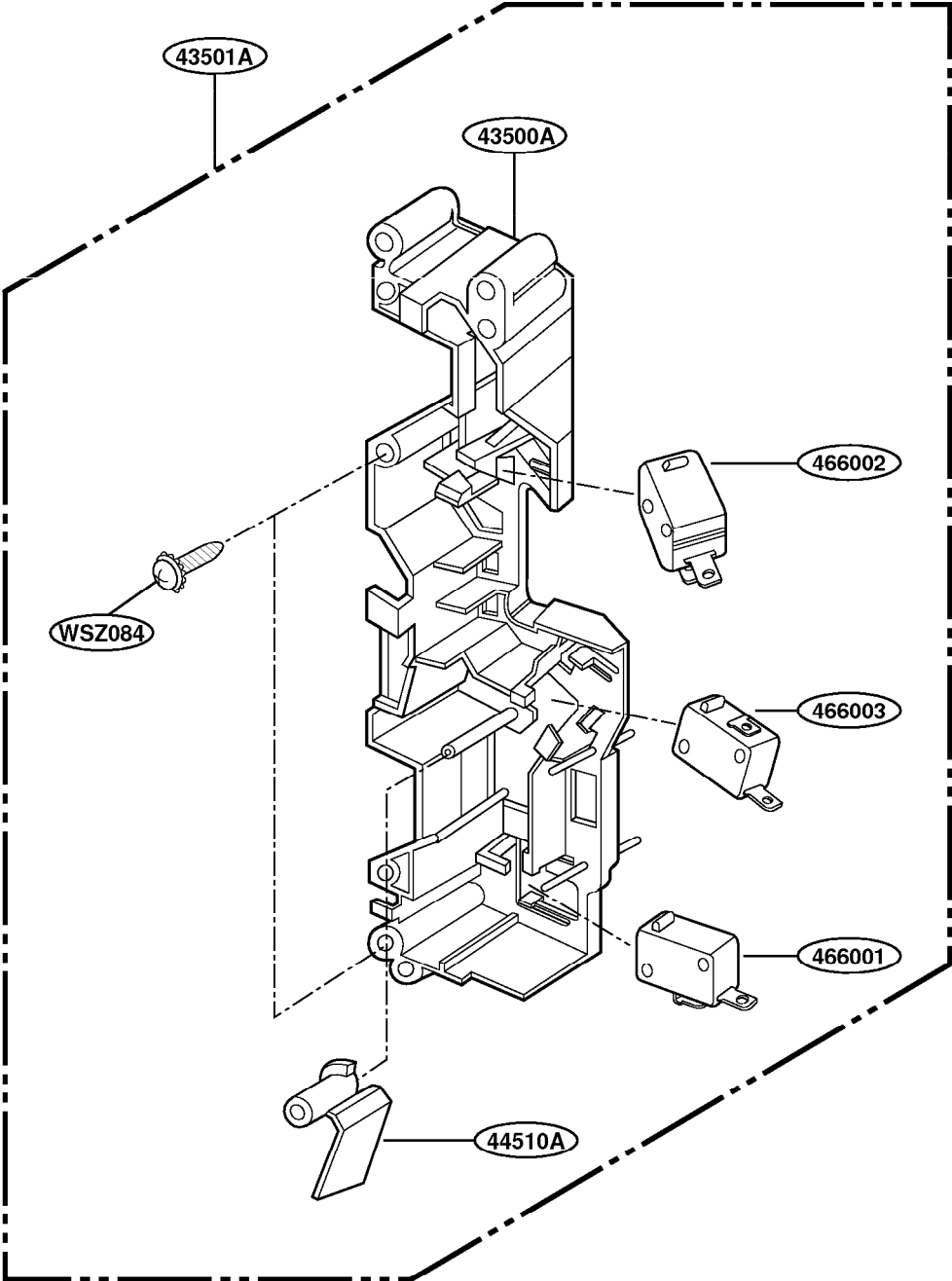
CONTROLLER PARTS



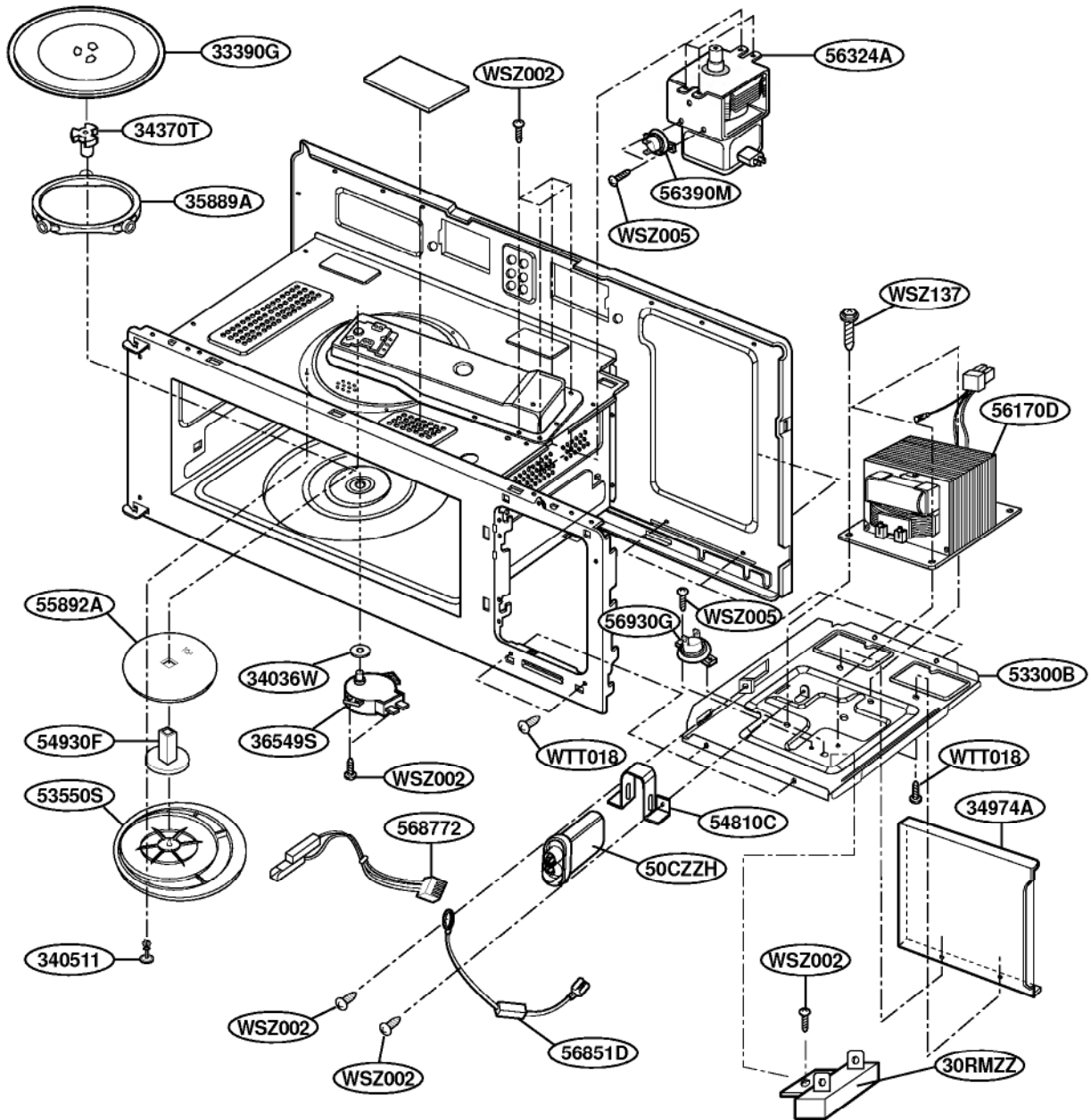
OVEN CAVITY PARTS



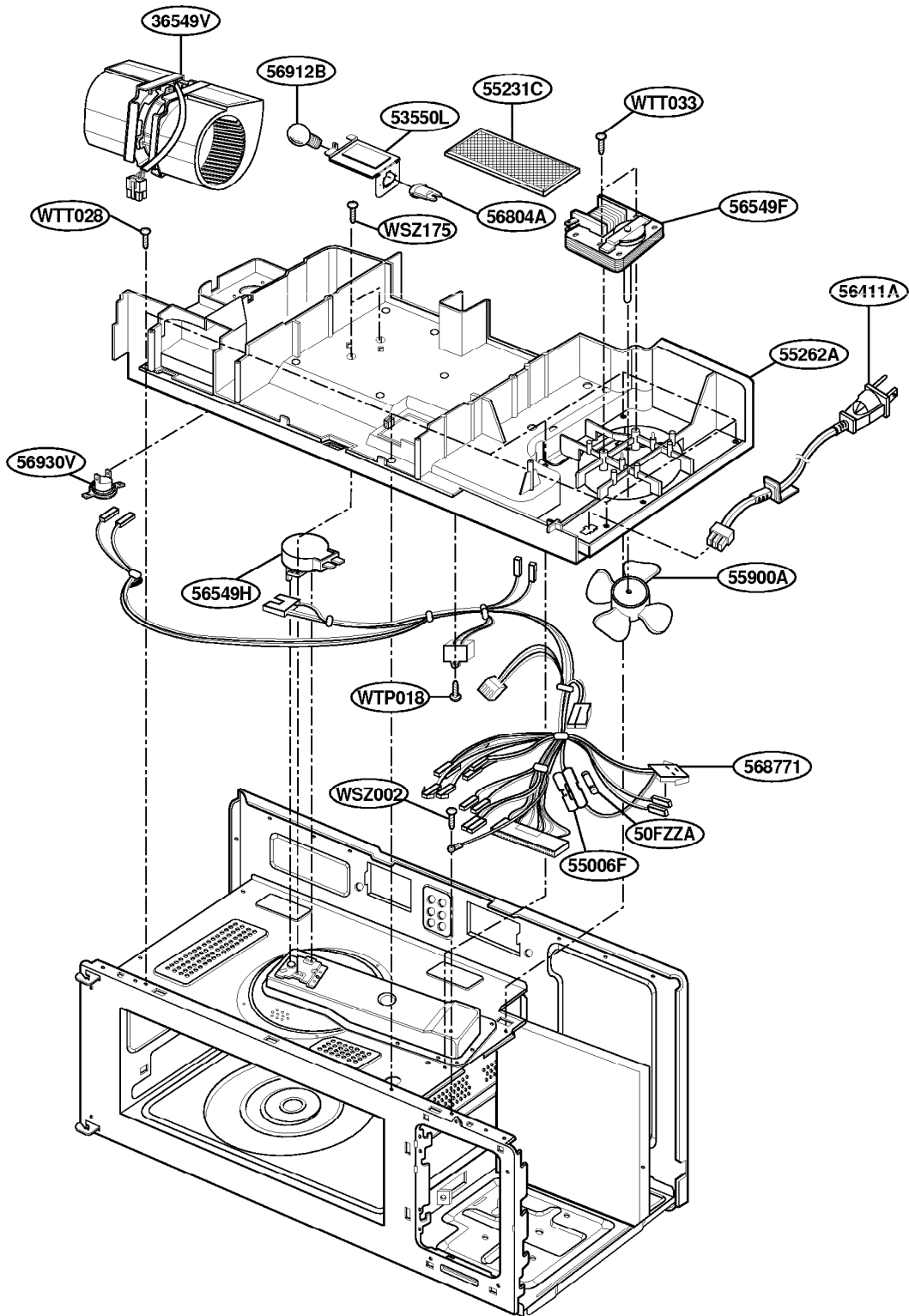
LATCH BOARD PARTS



INTERIOR PARTS (I)



INTERIOR PARTS (II)



INSTALLATION PARTS

