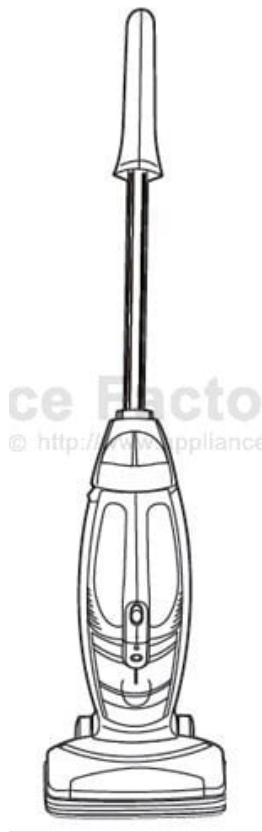


This Owner's Manual is provided and hosted by [Appliance Factory Parts](#).



Eureka 100 Owner's Manual

[Shop genuine replacement parts for Eureka 100](#)



[Find Your Eureka Vacuum Cleaner Parts - Select From 855 Models](#)

----- Manual continues below part list -----

Available Replacement Parts for Eureka 100

[E-61830](#)

STYLE HF5 EUREKA HEPA FILTER

eureka!

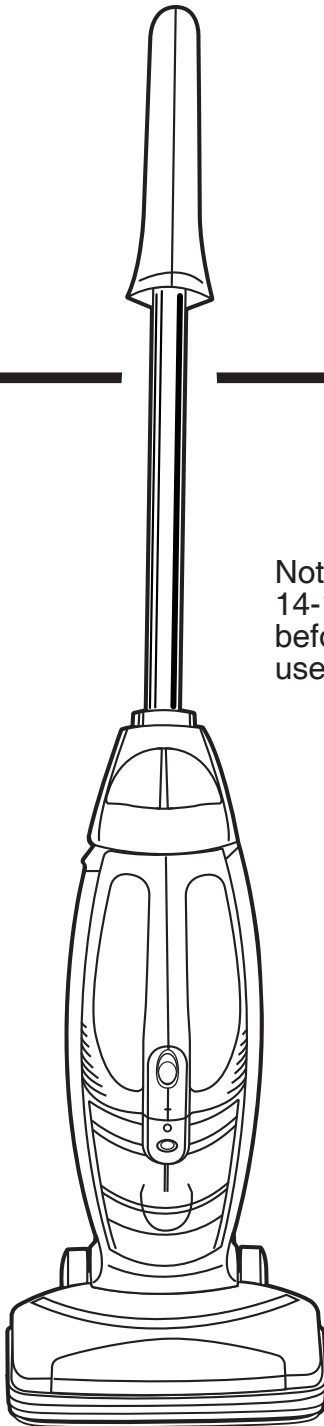
Invented for the way you clean™

easyclean 2-in-1

Combi-Vac with Detachable Hand Vac

Household Type

Owner's Guide Model Series 100-110



Note: Charge 14-16 hours before first use.

IMPORTANT

Do not return this product to the store. Call 1-800-282-2886* Monday - Friday, 8 am to 7:30 pm CST and 10 am to 6:30 pm Saturday or visit our web site, www.eureka.com for any of the following:

- assembly problems
- replacement of broken or missing items
- to order replacement parts and accessories
- to locate the nearest Eureka Warranty Station

*En Mexico llame al (55) 5343-4384

www.eureka.com

PLEASE RETAIN

We suggest you record the model, type and serial numbers below. They are located on the silver rating plate on your cleaner. For prompt and complete service information, always refer to these numbers when inquiring about service.

Model & Type _____

Serial No. _____

It is also important to keep your receipt as proof of date of purchase.

Index

Important Safeguards	2
Service Information	2
Battery Disposal.....	3
Assembly	3
Use.....	4
Accessories.....	5
Dust Cup.....	6
Filter	6
Brush Roll	6
Problem Solving.....	7
Warranty	8
Customer Order Form.....	9

GENERAL INFORMATION

The cordless vacuum cleaner is the answer for quick, convenient, and easy cleanups. Grab the cleaner for little tasks rather than using a larger cleaner.

Charge for 14-16 hours before first use. Batteries could lose charge in shipping.

It is best to charge the batteries when temperatures are between 32°F (0°C) and 104°F (40°C). Other temperatures could damage batteries.

While charging, the charger may become warm to the touch. This is a normal condition and does not indicate a problem.

Service Information

The instructions in this booklet serve as a guide to routine maintenance. For additional service information telephone our toll free number for the nearest Eureka Authorized Warranty Station.

USA: 1-800-282-2886

Mexico: (55) 5343-4384

Canada: 1-800-282-2886

www.eureka.com

If you prefer, you can write to Electrolux Home Care Products North America, Customer Service, P.O. Box 3900, Peoria, IL 61612, USA. In Canada, write to Electrolux Home Care Products Canada, 5855 Terry Fox Way, Mississauga, Ontario L5V 3E4. Refer to The Eureka Warranty for complete service information.

DO NOT OIL. The motor has lubrication and has a permanent seal.



IMPORTANT SAFEGUARDS

When using an electrical appliance, basic precautions should always be followed, including the following:

READ ALL INSTRUCTIONS BEFORE USING THIS VACUUM CLEANER.

WARNING

To reduce the risk of fire, electric shock, or injury:

- Do not use outdoors or on wet surfaces.
- Do not operate the vacuum cleaner or charger that has been damaged in any way. If vacuum cleaner is not working as it should, has been dropped, damaged, left outdoors, or dropped into water, return it to a service center.
- To avoid excessive heat and damage to the unit or batteries, do not operate the vacuum cleaner while charging.
- Do not allow to be used as a toy. Close attention is necessary when used by or near children.
- Use only as described in this manual.
- Use only the charger provided to recharge; Model No. KA12D150020033U for 120 volt.
- Do not pull or carry the charger by cord, use cord as a handle, close a door on cord, or pull cord around sharp edges or corners. Keep cord away from heated surfaces.
- Do not use extension cords or outlets with inadequate current carrying capacity.
- Do not unplug by pulling on cord. To unplug, grasp the charger, not the cord.
- Do not handle charger or vacuum cleaner with wet hands.
- **DO NOT MUTILATE OR INCINERATE BATTERIES AS THEY WILL EXPLODE AT HIGH TEMPERATURES.**
- Leaks from battery cells can occur under extreme usage or temperature conditions. If the liquid gets on the skin (1) wash quickly with soap and water or (2) neutralize with a mild acid such as lemon juice or vinegar. If the liquid gets into the eyes, flush them immediately with clean water for a minimum of 10 minutes. Seek medical attention.
- The terminal on the vacuum cleaner should be kept free and clean of objects. While there is no shock hazard from the terminal, a burn could occur if metal objects are inserted into the terminal area.
- This vacuum cleaner creates suction. Keep hair, loose clothing, fingers, and all parts of body away from openings and moving parts.
- Do not pick up anything that is burning or smoking, such as cigarettes, matches, or hot ashes.
- Do not use without a filter in place. When servicing the unit, never put fingers or other objects into the fan chamber in case the unit would accidentally be turned on.
- Use extra care when cleaning on stairs.
- Do not use to pick up flammable or combustible liquids such as gasoline, or use in areas where they may be present.
- Charge unit indoors in a cool, dry area not exposed to the weather to avoid electrical shock and/or cleaner damage.
- Keep your work area well lighted.
- Unplug electrical appliances before vacuuming them.

SAVE THESE INSTRUCTIONS



Important Battery Disposal Information - Call 1-800-822-8837

Nickel-Metal Hydride Batteries

Your vacuum cleaner contains nickel-metal hydride batteries. To protect our environment, properly dispose of the vacuum when the batteries no longer hold a charge. A municipal waste will not dispose of the product with battery intact. Remove the batteries by cutting the connector wires one by one before you discard the appliance. Do not dispose of batteries with your regular household trash. Remove the batteries and take or send it to your nearest Eureka Warranty Service Station.

To learn the address of the nearest factory service center call 1-800-282-2886.

CAUTION: Do not short circuit or dispose of in fire.

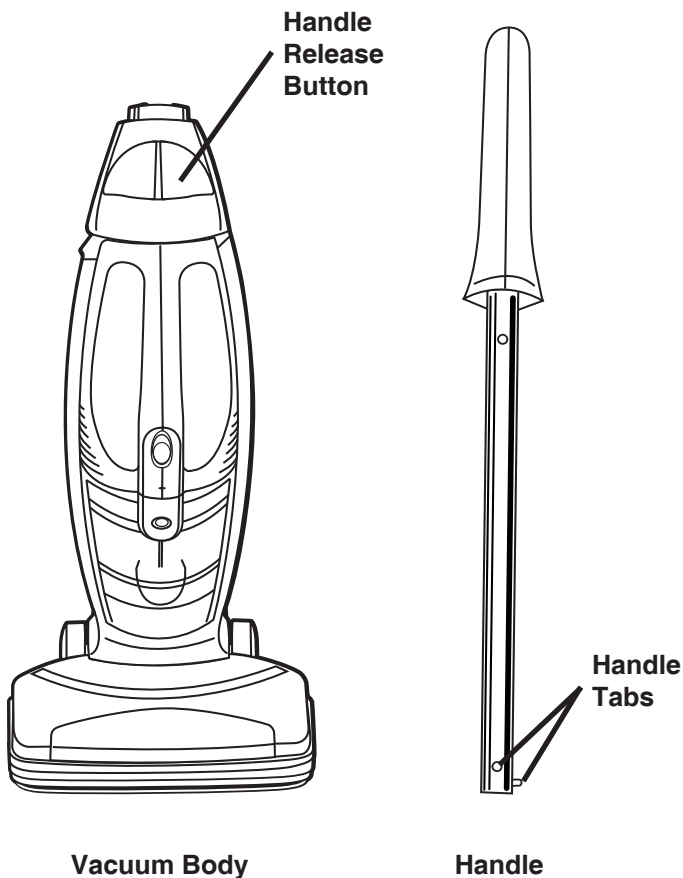
How To Assemble

CAUTION: Assemble the cleaner completely before plugging into an electrical outlet.

CAUTION: Moving parts, stay clear of brush roll when plugging in. Make sure brush roll is clear of moving parts when plugging in.

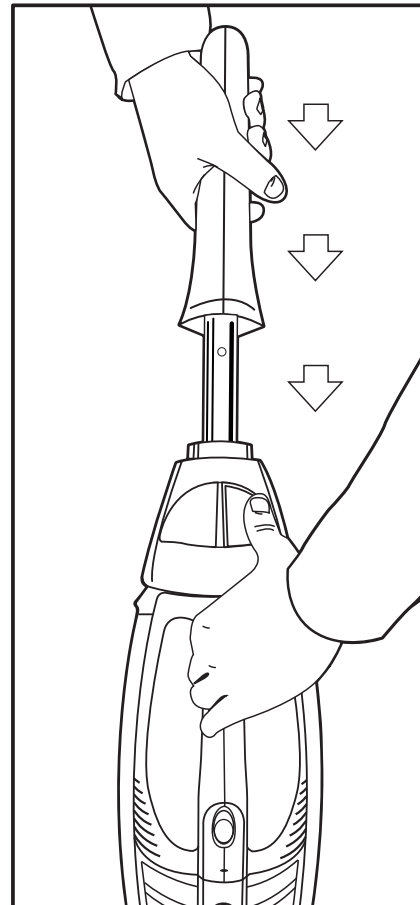
NOTE: Features may vary by model yet all parts assemble the same.

Step A Unpack Body of Vacuum and Handle



1. Remove vacuum body and handle from carton. Locate the handle release button on body and the handle tabs on handle.

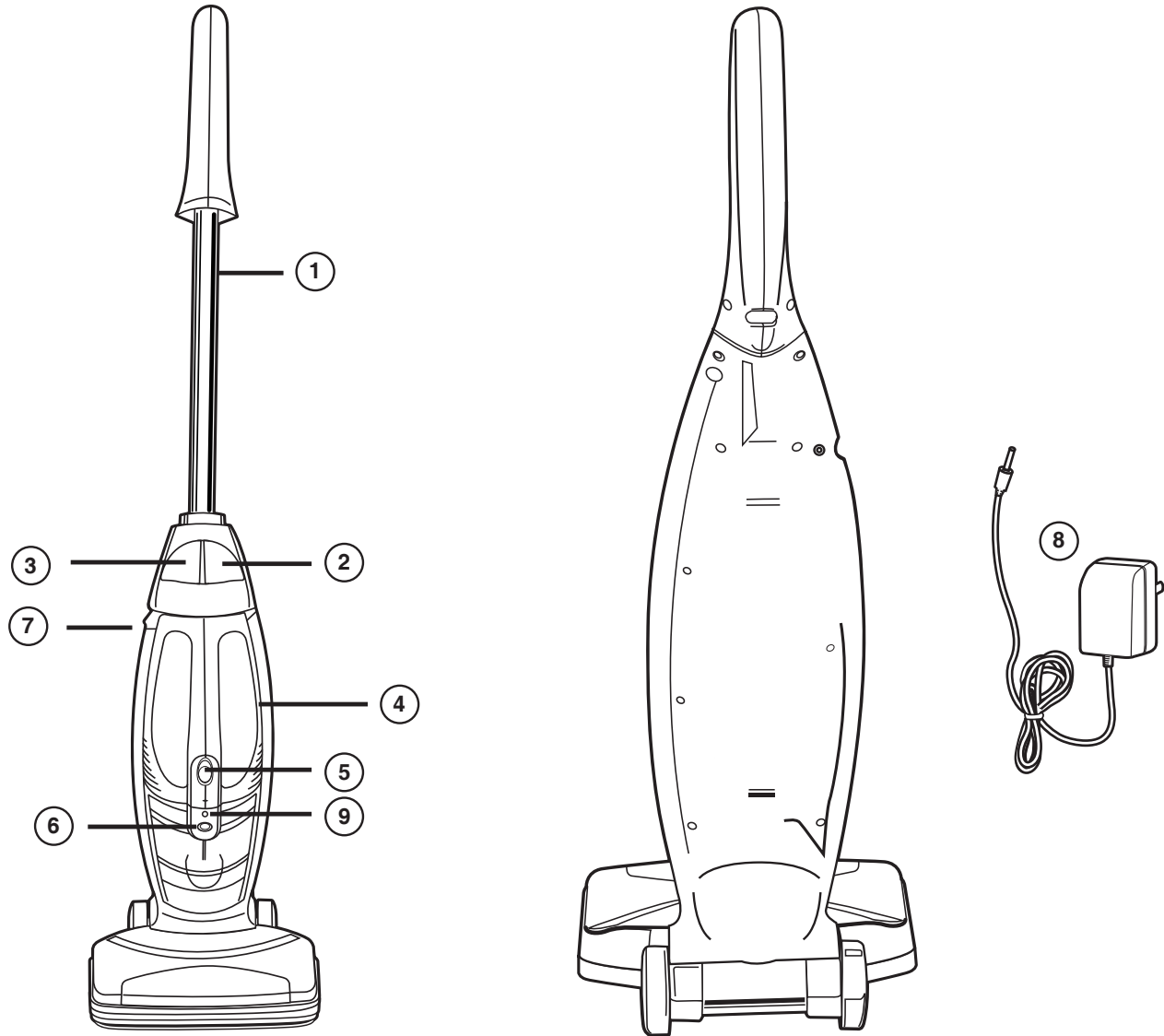
Step B Attach Handle



2. Position handle above vacuum body. Line up the handle tabs to the notches in the opening at the top of the vacuum body.
3. Press down on the handle release button as shown above. Slide the handle down into the unit, until it clicks into place.

How To Use

CAUTION: Do not plug in cleaner until you understand all controls and features.



1. **Telescoping Handle.** The handle has two positions, all the way up or all the way down.
2. **Handle Release Button.** Push in on this button when you want to raise or lower the handle.
3. **Hand Vac Release Button.** Push in on this button to release hand vac from body.
4. **Crevice Tool.** The crevice tool is stored in the body of the vacuum behind the dust cup.
5. **Three Position On/Off Switch.** O = Off, I = Suction and IIIII = suction with brush roll.
6. **Dust Cup Release Button.** Push in on this button to release dust cup from hand vac.

7. **Charger Inlet.** To charge unit, insert charger connector into cleaner.
8. **Charger Connector.** After connecting to cleaner, plug charger into 120V outlet to charge cleaner.
9. **Charging Light.** The light will come on when the unit is charging.

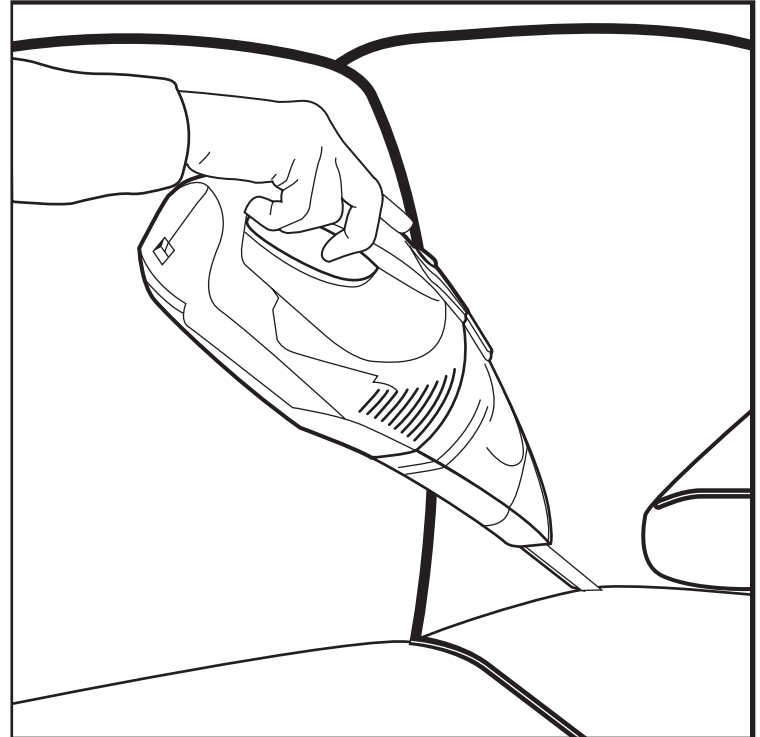
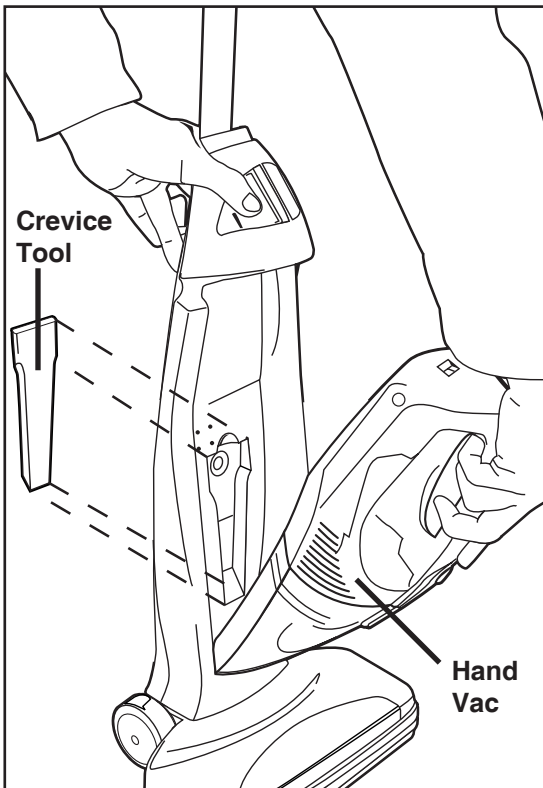
Charge the Batteries

Note: Charge the batteries for 14-16 hours before first use. A cleaner may lose charge in shipment. The charger plug may become warm, however, this is not a cause for concern.

Note: If the batteries are completely discharged, the charging light may not shine until there is sufficient charge in the batteries to provide power.

You may leave the cleaner on constant charge so it is always ready to use. Unplug only if it will not be in use for several weeks at a time.

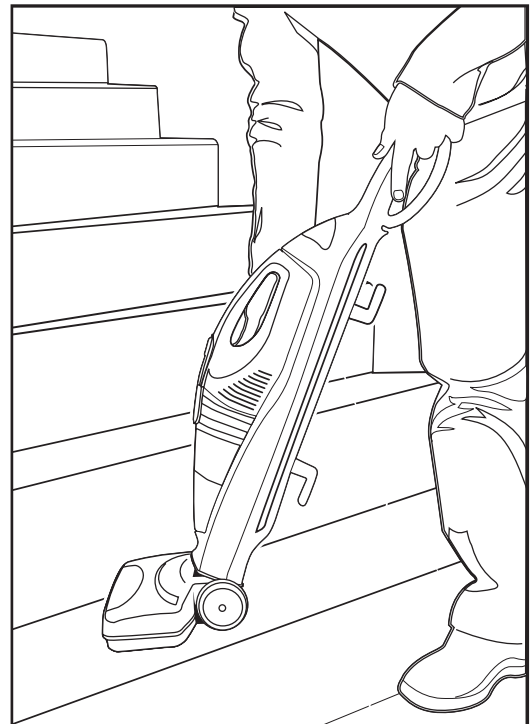
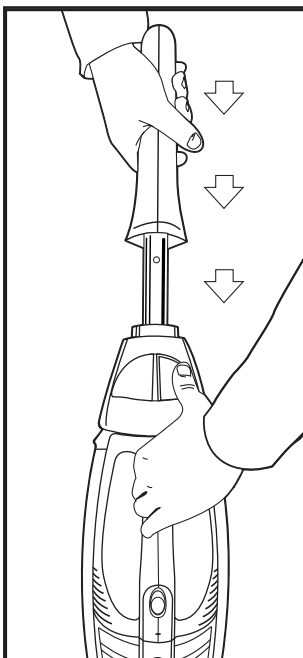
How To Use Accessories



1. To remove the hand vac from the base, push in on the hand vac release button, and tilt hand vac out of base as shown above.

2. The crevice tool is stored in the base behind the hand vac (see fig. 1). Pull crevice tool away from the base and put the wide end into the end of the hand vac nozzle. (See above) The crevice tool is used to clean corners, baseboards, between cushions.

3. To use as a stair vac, collapse handle. Push in on the handle release button and push handle down into unit. See below.



CAUTION: Use extra care when cleaning on stairs.

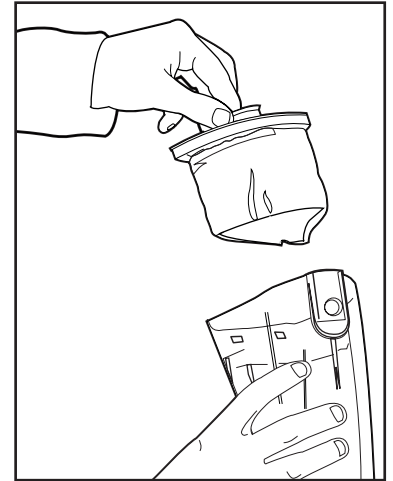
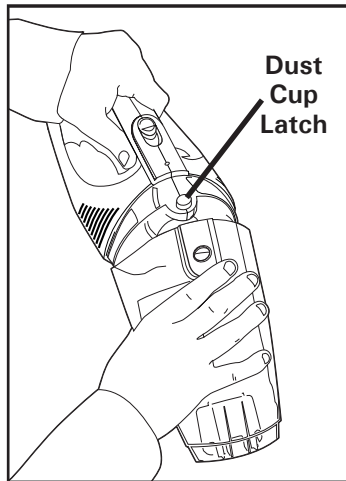
How To Maintain

The instructions in this booklet serve as a guide to routine maintenance. To keep the cleaner operating at top efficiency empty the dust cup and clean the filter after each use.

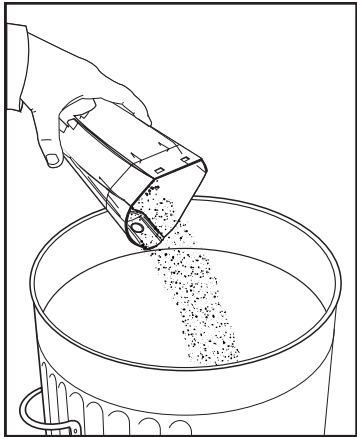
Empty Dust Cup

CAUTION: Turn off the switch.

1. Remove hand vac from the base unit.
2. Push in on dust cup latch and pull dust cup from handle section.
3. Remove dust cup filter from dust cup. Shake and brush the dust and dirt from filter.



4. Shake contents of dust cup into a waste container.



5. Replace **dry** dust cup filter in dust cup and reassemble following above directions in reverse.

NOTE: Replace a dirty or torn filter.

6. Dust cup may be cleaned with warm water and mild detergent. Wipe dry, do not put dust cup in dishwasher.

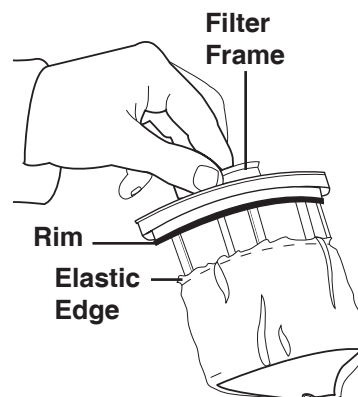
Cleaning and Replacing Dust Cup Filter, PN 62406

Pull filter off of filter frame.

Shake and brush the dust and dirt from filter. If desired, launder filter by hand in warm water using a mild detergent.

NOTE: Air dry thoroughly before returning to use.

To put filter on filter frame, pull and stretch the elastic edge of filter up and over the rim on the filter frame.



Correct Installation

NOTE: If filter is not properly installed, dirt and dust will go past the filter and this can damage the cleaner motor.

Clean Brush Roll

The brush roll turns to sweep and comb the carpet nap. Keep the brush roll free from hair and threads so it will continue cleaning.

PROBLEM SOLVING

NOTE: Turn off the switch and unplug the electrical cord before servicing.

PROBLEM	CAUSE	SOLUTION
Cleaner will not run.	<input type="checkbox"/> Battery Low	<input type="checkbox"/> Charge Battery
Does not clean the carpet or floor.	<input type="checkbox"/> Dust Cup and Filter <input type="checkbox"/> Brush Roll <input type="checkbox"/> Intake Nozzle <input type="checkbox"/> Battery Low	<input type="checkbox"/> Empty the dust cup and clean or replace the filter. Hint: If picking up fine dust, the dust cup may <u>not</u> look full but a fine substance tends to reduce suction when it blocks the airflow through the filter. <input type="checkbox"/> Be sure dust cup is properly installed in hand vac. <input type="checkbox"/> Clean hair and thread from bristles and end cap area. <input type="checkbox"/> Remove hand vacuum from base and look for blockage in the air path from the floor nozzle to the hand vacuum. Lay the stick vacuum flat and use a screwdriver to pull the blockage up and out of the air path. Reattach the hand vacuum; turn the unit on to clear any remaining debris. Remove hand vacuum and recheck for additional clogs. Repeat above steps if needed. <input type="checkbox"/> Charge Battery
No suction.	<input type="checkbox"/> Filter <input type="checkbox"/> Intake Nozzle	<input type="checkbox"/> Clean or replace the filter. Hint: If picking up fine dust, the dust cup may <u>not</u> look full, but a fine substance tends to reduce suction when it blocks the airflow through the filter. <input type="checkbox"/> Remove hand vacuum from base and look for blockage in the air path from the floor nozzle to the hand vacuum. Lay the stick vacuum flat and use a screwdriver to pull the blockage up and out of the air path. Reattach the hand vacuum; turn the unit on to clear any remaining debris. Remove hand vacuum and recheck for additional clogs. Repeat above steps if needed.
Noise from brush roll area.	<input type="checkbox"/> Brush Roll	<input type="checkbox"/> Remove and clean debris from brush roll area. <input type="checkbox"/> Clean hair and threads from brush roll.
Brush roll not turning.	<input type="checkbox"/> Brush Roll <input type="checkbox"/> Power Switch <input type="checkbox"/> Hand Vacuum Not Secured	<input type="checkbox"/> Remove and clean debris from brush roll area. <input type="checkbox"/> Clean hair and threads from brush roll. <input type="checkbox"/> Switch has three positions; off (O), suction only (I) and suction with brush roll (III). <input type="checkbox"/> Remove hand vacuum from base. Reinstall into base by pushing firmly until hand vac locks into place.
How to maintain brush roll.	<input type="checkbox"/> Brush Roll Area <input type="checkbox"/> Brush Roll Belt	<input type="checkbox"/> Remove and clean debris from brush roll area. <input type="checkbox"/> Clean hair and threads from brush roll. <input type="checkbox"/> Do not attempt to lubricate the bearings in the brush roll. They are permanently lubricated at the factory. <input type="checkbox"/> The brush roll belt is a cogged design that should not require replacement.
Cleaner only runs a short time	<input type="checkbox"/> Low Battery Charge	<input type="checkbox"/> Charge Battery.
Battery will not charge	<input type="checkbox"/> Charger Not Connected to Power Supply	<input type="checkbox"/> Plug in charger, check for Charge battery light. <input type="checkbox"/> Check electrical outlet.

THE EUREKA LIMITED WARRANTY

What This Warranty Covers

Your Eureka cleaner is warranted to be free from all defects in material and workmanship in normal household use for a period of one year. The warranty is granted only to the original purchaser and members of his or her immediate household. The warranty is subject to the following provisions:

What This Warranty Does Not Cover

- Parts of the cleaner that require replacement under normal use, such as disposable dust bags, filters, drive belts, light bulbs, brushroll bristles, impellers and cleaning.
- Damages or malfunctions caused by negligence, abuse, or use not in accordance with the Owner's Guide.
- Defects or damages caused by unauthorized service or the use of other than Genuine Eureka parts.

What Eureka Will Do

Eureka will, at its option, repair or replace a defective cleaner or cleaner part that is covered by this warranty. As a matter of warranty policy, **Eureka will not refund the consumer's purchase price.**

Warranty Registration

Please fill out and return the warranty registration card accompanying your cleaner.

Obtaining Warranty Service

To obtain warranty service you must return the cleaner or cleaner part along with "proof of purchase" to any Eureka Authorized Warranty Station.

For the location of the nearest Eureka Authorized Warranty Station or for service information visit www.eureka.com, or telephone toll free:

USA: 1-800-282-2886

Mexico: 55-5343-4384

Canada: 1-800-282-2886

www.eureka.com

If you prefer, you can write to Electrolux Home Care Products North America, P.O. Box 3900, Peoria, Illinois 61612, USA. In Canada write to Electrolux Home Care Products Canada, 5855 Terry Fox Way, Mississauga, Ontario L5V 3E4.

If it is necessary to ship the cleaner outside your community to obtain warranty repair, you must pay the shipping charges to the Eureka Authorized Warranty Station.

Return shipping charges will be paid by the Warranty Station. When returning parts for repair, please include the model, type, and serial number from the data plate on the cleaner.

Further Limitations and Exclusions

Any warranty that may be implied in connection with your purchase or use of the cleaner, including any warranty of Merchantability or any warranty for Fitness For A Particular Purpose is limited to the duration of this warranty. Some states do not allow limitations on how long an implied warranty lasts, so the above limitations may not apply to you.

Your relief for the breach of this warranty is limited to the relief expressly provided above. In no event shall the manufacturer be liable for any consequential or incidental damages you may incur in connection with your purchase or use of the cleaner. Some states do not allow the exclusion or limitation of incidental or consequential damages, so the above limitation or exclusion may not apply to you.

This warranty gives you specific legal rights. You may also have other rights, which may vary by state.