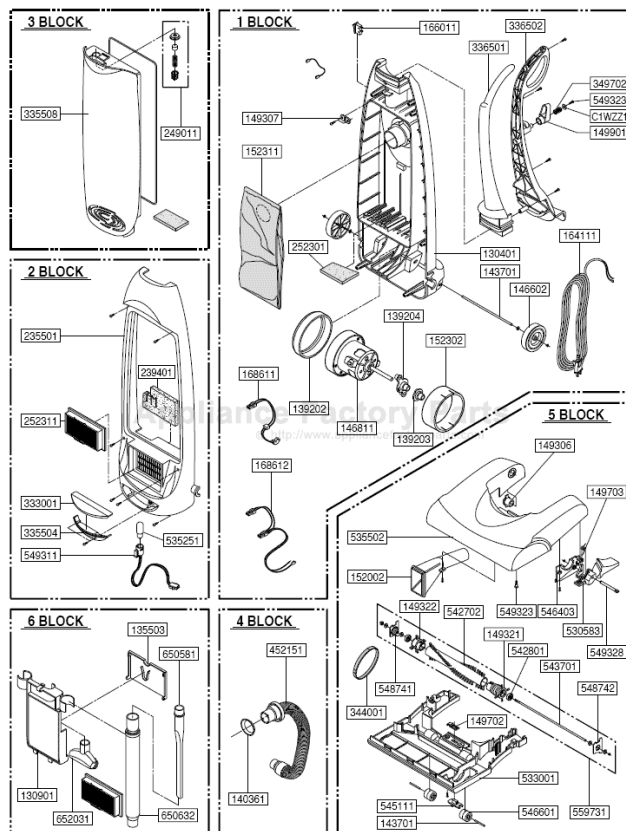


This Owner's Manual is provided and hosted by [Appliance Factory Parts](#).



# Homemaker HMU1000 Owner's Manual

[Shop genuine replacement parts for Homemaker  
HMU1000](#)



[Find Your Homemaker Vacuum Cleaner Parts - Select From 6 Models](#)

----- Manual continues below -----

Model	V-U5545NB.ALSEWWD		
Language	English		
Page	16	Color(cover/body)	2/1
Material	100g	Size(W*H)	225x310
Date	2006.9.14	Designer	Songrui
Part No.	3828FI5859B	Description	service manual

### Chage Record

No.	Change content	ECO No.	Date	Designer	Confirm
①					
②					
③					
④					
⑤					
⑥					
⑦					
⑧					
⑨					



# VACUUM CLEANER SERVICE MANUAL

## CAUTION

BEFORE SERVICING THE VACUUM CLEANER  
READ THE SAFETY PRECAUTIONS IN THIS MANUAL.

**MODEL: U1000**

# CONTENTS

---

IMPORTANT SAFEGUARDS.....	3
VACUUM CLEANER DESCRIPTION .....	4
SPECIFICATIONS.....	4
PARTS.....	4
REPLACEMENT INSTRUCTIONS .....	5
TROUBLESHOOTING .....	8
REMOVING CLOGS .....	9
DISASSEMBLY .....	10
SCHEMATIC DIAGRAM .....	14
EXPLODED VIEW.....	15

# IMPORTANT SAFEGUARDS

---



## WARNING

Your safety is important to us. To reduce the risk of fire, electrical shock, injury to persons, or damage when using your vacuum cleaner, follow basic safety precautions, including the following:

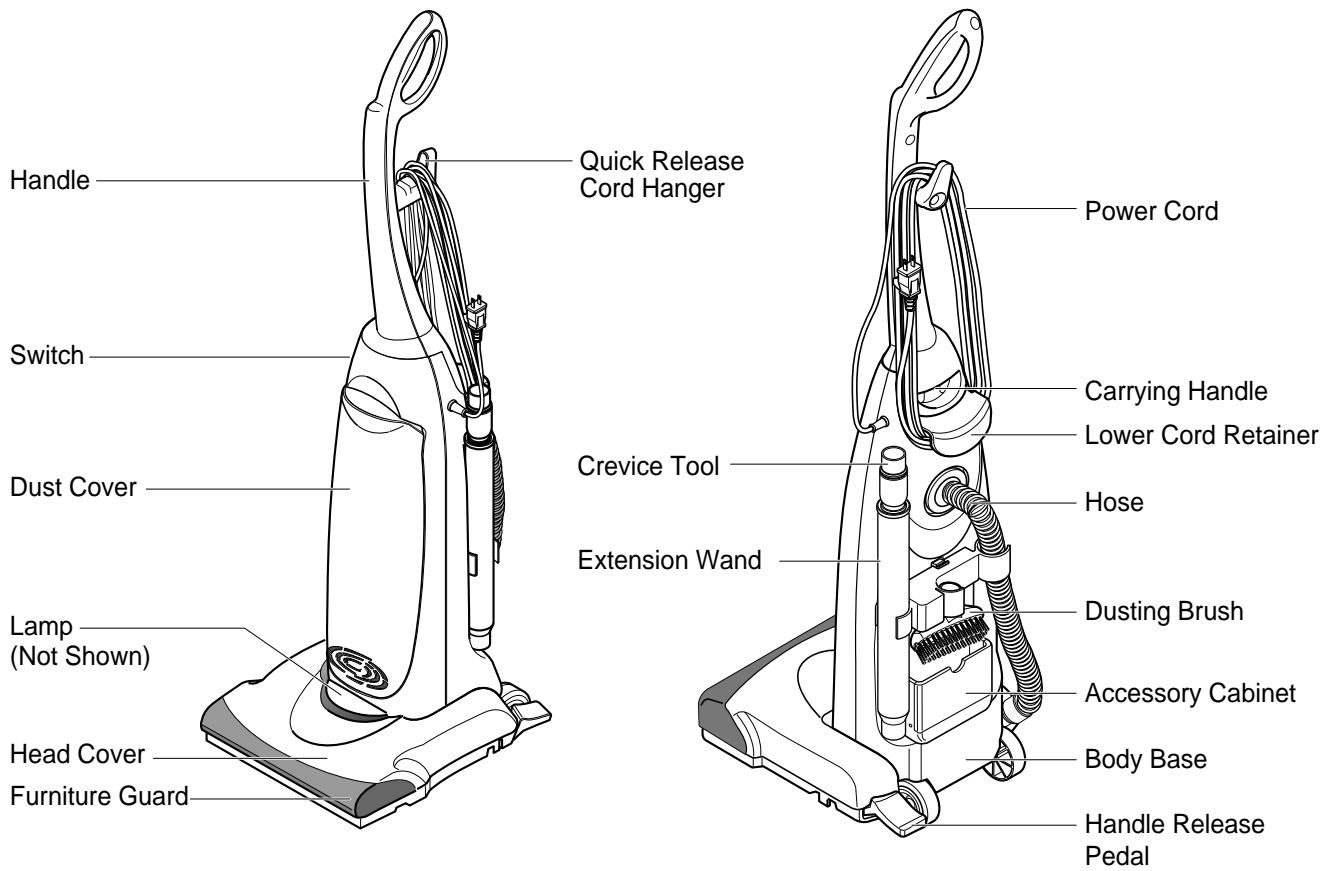
1. Disconnect power supply before servicing and/or cleaning the unit.
2. Do not leave appliance plugged in. Unplug from outlet when not in use or before servicing.
3. Do not use outdoors or on wet surfaces. Do not pick up water or wet materials.
4. Do not handle plug or appliance with wet hands.
5. Do not allow it to be used as a toy. Close attention is necessary when used by or near children.
6. Use only as described in this manual. Use only attachments recommended by manufacturer.
7. Do not use with damaged cord or plug. If the supply cord is damaged, it must be replaced by the manufacturer or an Authorized Service Center or a similarly qualified person in order to avoid a hazard.
8. Do not pull or carry by the power cord as a handle, close door on cord, or pull the cord around sharp edges or corners. Do not run appliance over the cord. Keep the cord away from heated surfaces.
9. Do not unplug by pulling the cord. To unplug, grasp the plug, not the cord.
10. Do not put any object into openings. Do not use with any opening blocked. Keep free from dust, lint, hair and anything that may reduce air flow.
11. Keep hair, loose clothing, fingers, and all parts of body away from the openings and moving parts.  
Do not use vacuum cleaner to pick up sharp, hard objects, small toys, pins, etc.
12. Do not pick up anything that is burning or smoking, such as cigarettes, matches, or hot ashes.
13. Do not use to pick up flammable or combustible liquid or vapors such as gasoline or use in areas where they may exist.
14. Do not use vacuum cleaner without dust bag and/or filters in place.
15. Always turn off all controls before unplugging.
16. Do not keep vacuum cleaner on chairs, tables, etc. Extra care must be taken when cleaning stairs.
17. Always unplug the unit or turn off the switch when the unit automatically stops unintentionally.  
If you don't, the cleaner could re-start unintentionally.

**Polarized plug:** This appliance has a polarized plug (one blade is wider than the other). As a safety feature to reduce the risk of electric shock, this plug is intended to fit in polarized outlet only one way. If the plug does not fit fully into the outlet, reverse the plug. If still does not fit, contact a qualified electrician. Do not attempt to defeat this safety feature.

**Thermal protector:** This vacuum cleaner has a special thermostat that protects the vacuum cleaner in case of motor overheating. If the cleaner suddenly shuts off, turn off the switch and unplug the vacuum cleaner. Check the vacuum cleaner for a possible source of overheating such as a full bag, a blocked hose or clogged filter. If these conditions are found, fix them and wait at least 30 minutes before attempting to use the vacuum cleaner. After the 30 minutes period, plug the vacuum cleaner back in and turn on the switch. If the vacuum cleaner still does not run, contact a qualified electrician.

**THIS PRODUCT IS FOR HOUSEHOLD USE ONLY**

# VACUUM CLEANER DESCRIPTION



## SPECIFICATIONS

Model	U1000
Power supply	120V
Ampacity	12A
Dimension/upright position (WxDxH)	approx. 335 x 1138 x 322 mm
Cord length	30'
Weight (approx.)	15lbs

# REPLACEMENT INSTRUCTIONS



## WARNING

Electrical Shock or Personal Injury Hazard

Disconnect electrical supply before servicing or cleaning the unit. Failure to do so could result in electrical shock or personal injury from the vacuum cleaner suddenly starting.

## Replacing the Head Light Bulb

Unplug the vacuum cleaner.

Place the handle to parallel position. (Fig. A)

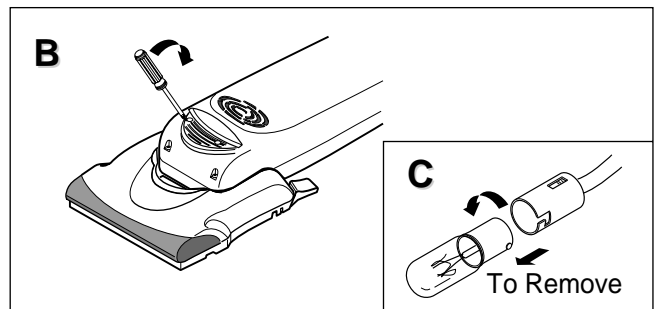
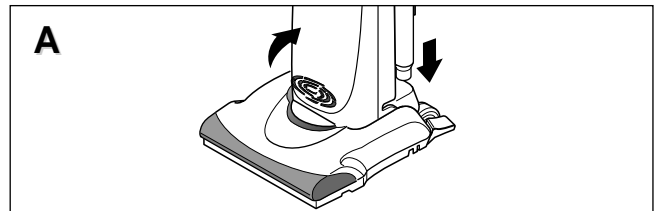
Unscrew and remove the light cover. (Fig. B)

To remove old bulb, push it in toward bulb socket while turning counter-clockwise, then remove. (Fig. C)

Use a bayonet base bulb having the rating of 15~20W.

To install a new bulb, push it in toward the bulb socket and turn it clockwise.

Replace the light cover and secure it with screws.



## Removing/Installing the Bottom Plate

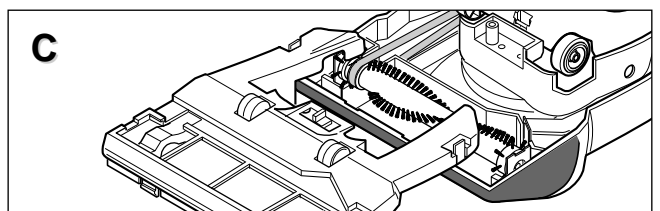
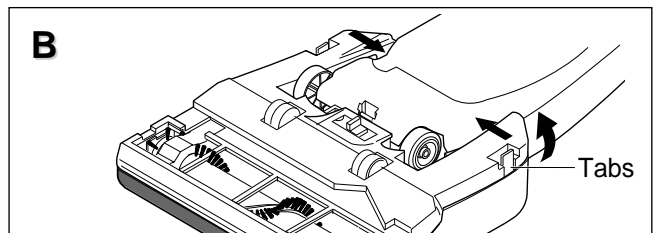
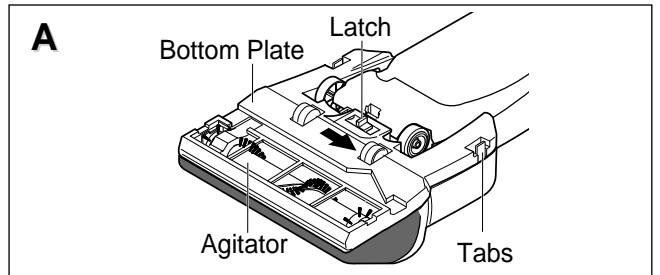
Before replacing any parts, disconnect the vacuum cleaner from the electrical outlet.

To remove the bottom plate, slide latch off as shown in the figure. (Fig. A)

Pushing the locking tabs toward the center of the vacuum cleaner, pull the bottom plate away from the nozzle housing. (Fig. B)

To install the bottom plate, hook the front end of bottom plate into the slots on the front of nozzle. (Fig. C)

Press the bottom plate until the locking tabs snap into place then slide the latch to secure.





## WARNING

Electrical Shock or Personal Injury Hazard

Disconnect electrical supply before servicing or cleaning the unit. Failure to do so could result in electrical shock or personal injury from the vacuum cleaner suddenly starting.

## ***Replacing Belt and/or Agitator***

Check the belt and agitator frequently. If they are broken or worn out, replace them.

Turn the unit over and remove the bottom plate as described in [Removing/Installing the Bottom Plate](#) section.

To remove the belt or agitator, grasp the both ends of agitator and lift it slowly. Remove the belt from agitator pulley and motor shaft. If the belt was broken, be sure all pieces are removed.



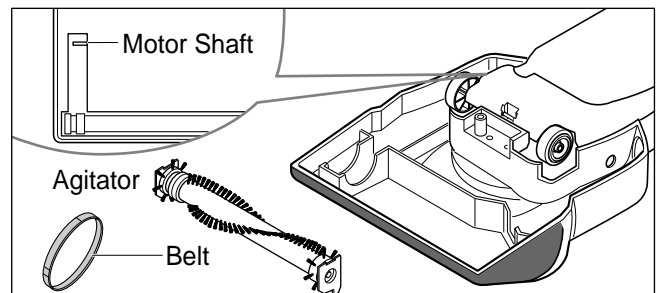
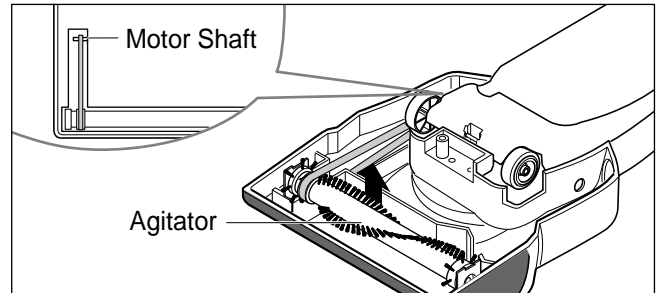
## WARNING

Personal Injury Hazard

Be careful when removing the agitator as the belt tension is high.

Failure to do so could result in personal injury from the agitator releasing quickly and snapping away.

The motor shaft may be very hot!



Loop the new belt around the motor shaft and agitator pulley.

Reinsert the agitator making sure that both ends of the agitator fit in the groove of the nozzle head.

After installing the agitator, turn it by hand making sure that the belt is not twisted or pinched and all parts turn freely.

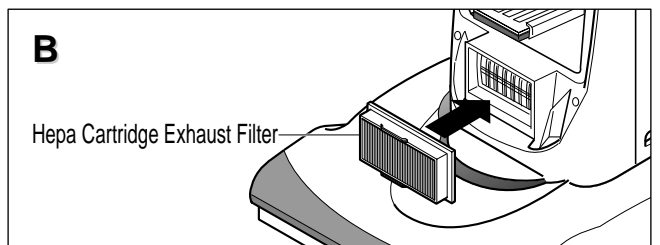
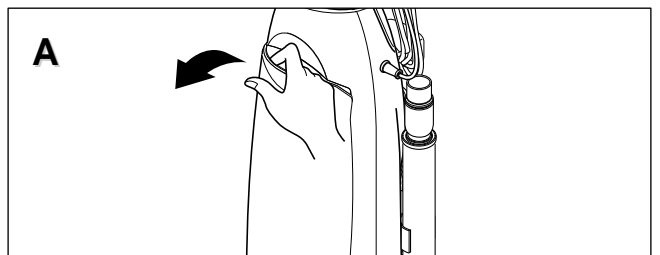
Replace the bottom plate as described in the [Removing/Installing the Bottom Plate](#) section.

## ***Replacing Exhaust Filter***

This exhaust filter must be replaced when dirty.

Pull outward on the dust cover grip to remove dust cover. (Fig. A)

Replace exhaust filter and close the dust cover. (Fig. B)





## WARNING

Electrical Shock or Personal Injury Hazard

Disconnect electrical supply before servicing or cleaning the unit. Failure to do so could result in electrical shock or personal injury if the vacuum cleaner starts suddenly.

### **Replacing Filter Bag**

Check the filter bag from time to time. When excessive dirt accumulates, your cleaner may not operate effectively.

If the cleaner does not seem to have adequate suction, check the filter bag.

**DISCONNECT THE VACUUM CLEANER FROM THE ELECTRICAL OUTLET.**

Pull the dust cover grip forward and remove the dust cover from the cleaner. (Fig. A)

Grasp the filter bag collar and pull it out.

Attach a new filter bag onto the bag holder holding the filter bag collar and pushing back as shown in the figure. (Fig B)

Insert the tabs on the bottom of dust cover into the grooves on the dust compartment. (Fig. C)

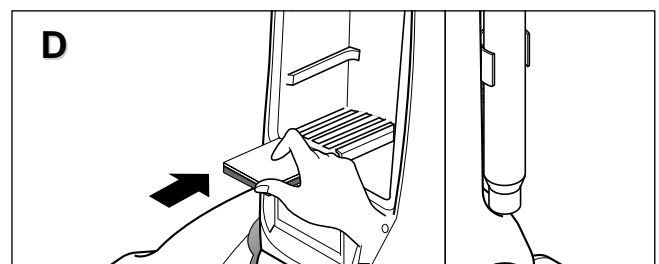
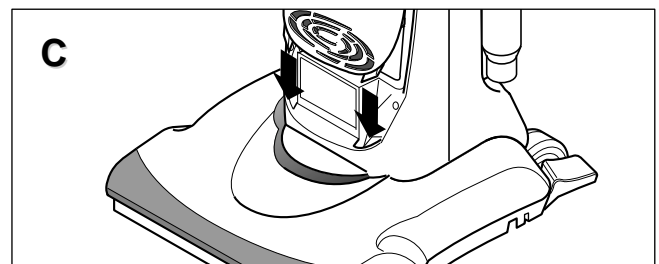
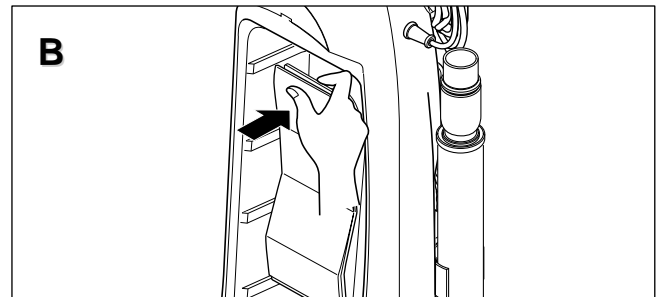
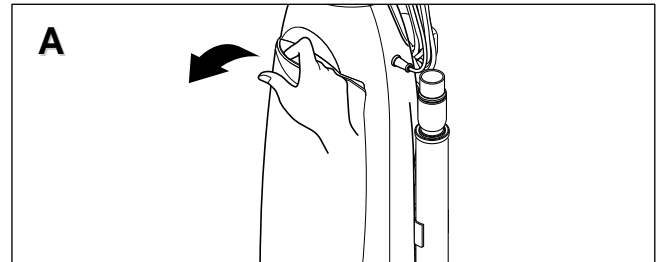
Rotate the dust cover up into the closed position and press it until the hook snaps into place.

### **Replacing Secondary Filter**

Secondary filter is located inside the dust compartment. When installing or changing the filter bag, always check this filter. When the filter becomes dirty, replace filter and install new filter.

To remove this filter, open the dust cover and pull the filter out from the bottom of dust compartment.

To install new secondary filter, slide the new filter back into place. It should be fully inserted into the projections of the bottom of dust compartment.



# TROUBLESHOOTING

## **MINOR PROBLEM**

Review this chart to find out a possible solution if a minor problem occurs. This chart is given in owner's manual for customer's reference. Check the unit according to this chart before servicing.

<b>Problem</b>	<b>Possible cause</b>	<b>Possible solution</b>
Cleaner won't run.	<ol style="list-style-type: none"> <li>1. Not firmly plugged in</li> <li>2. No voltage in wall outlet</li> <li>3. On/Off switch not turned on</li> <li>4. Blown fuse</li> <li>5. Thermal protector operated</li> </ol>	<ol style="list-style-type: none"> <li>1. Plug in firmly.</li> <li>2. Check fuse or breaker.</li> <li>3. Push On/Off switch.</li> <li>4. See authorized service center.</li> <li>5. Unplug, turn off and allow to cool. See page 3.</li> </ol>
Cleaner won't pick up.	<ol style="list-style-type: none"> <li>1. Broken or worn belt</li> <li>2. Worn agitator brush</li> <li>3. Full or clogged filter bag</li> <li>4. Hole in hose</li> <li>5. Dust cover improperly installed</li> <li>6. Belt not installed on motor shaft</li> </ol>	<ol style="list-style-type: none"> <li>1. Replace belt.</li> <li>2. Replace agitator.</li> <li>3. Change filter bag.</li> <li>4. Replace hose.</li> <li>5. Properly install</li> <li>6. Install belt on motor shaft.</li> </ol>
Dust escapes the filter bag.	<ol style="list-style-type: none"> <li>1. Filter bag improperly installed</li> <li>2. Torn filter bag</li> </ol>	<ol style="list-style-type: none"> <li>1. Install filter bag properly.</li> <li>2. Replace filter bag.</li> </ol>

## **MAJOR PROBLEM**

If problem isn't solved using the minor problem chart, please check the unit using this chart.

<b>Problem</b>	<b>Possible cause</b>	<b>Possible solution</b>
Cleaner won't run.	<ol style="list-style-type: none"> <li>1. Blown fuse</li> <li>2. Failure of connection or electrical parts such as power cord, motor, switch, lead wire, etc.</li> <li>3. Agitator or other rotating parts are blocked. (When motor doesn't rotate while power is supplied)</li> </ol>	<ol style="list-style-type: none"> <li>1. Replace fuse.</li> <li>2. Repair and replace electrical parts.</li> <li>3. Remove clogs or foreign objects.</li> </ol>
Suction power is low.	<ol style="list-style-type: none"> <li>1. Motor is broken or blocked.</li> <li>2. Air flow is clogged.</li> </ol>	<ol style="list-style-type: none"> <li>1. Repair or change the motor. Check the carbon brush of motor. Remove foreign objects from impeller, if clogged.</li> <li>2. Remove foreign objects.</li> </ol>
Vibration and noise.	<ol style="list-style-type: none"> <li>1. Loose parts.</li> <li>2. Unbalanced motor shaft.</li> <li>3. Clogged air flow.</li> <li>4. Unbalanced agitator or loose parts of agitator.</li> <li>5. Improper installation of belt and agitator.</li> </ol>	<ol style="list-style-type: none"> <li>1. Tighten securely.</li> <li>2. Repair or change the motor.</li> <li>3. Remove foreign objects.</li> <li>4. Change or repair agitator.</li> <li>5. Install properly.</li> </ol>

# REMOVING CLOGS



## WARNING

Electrical Shock or Personal Injury Hazard

Disconnect electrical supply before servicing or cleaning the unit. Failure to do so could result in electrical shock or personal injury from the vacuum cleaner suddenly starting.

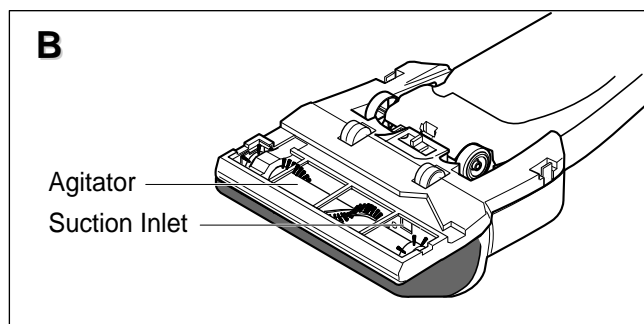
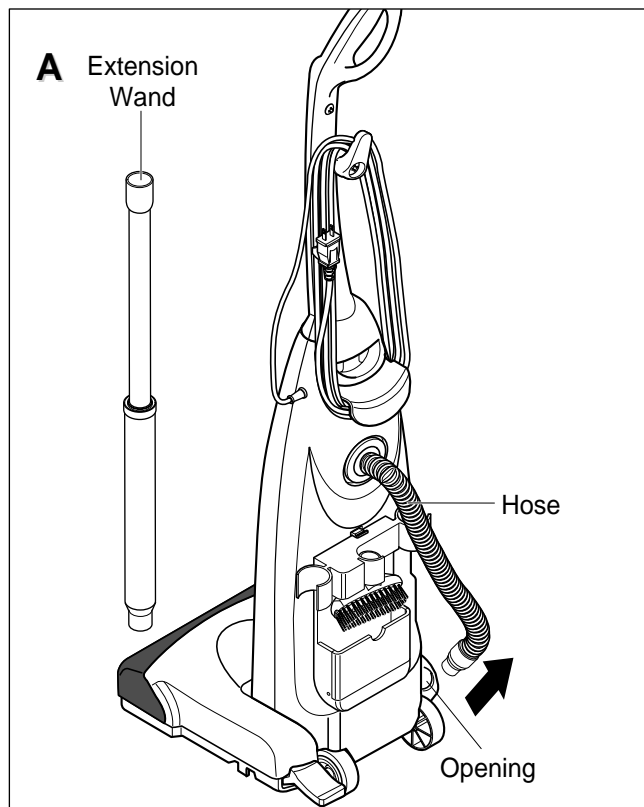
If the vacuum cleaner does not seem to have adequate suction, first check to see if the filter bag is full.

If the filter bag is not full, check the hose and extension wand.

Visually inspect the hose and the opening of the head cover into which the hose is inserted. (Fig. A)

If the clog still exists, make sure to turn the vacuum cleaner off and unplug the power cord. Turn the vacuum cleaner over to expose the underside. Check the agitator area and suction inlet. (Fig. B)

Return the vacuum to the upright position before plugging into the electrical outlet.



# DISASSEMBLY



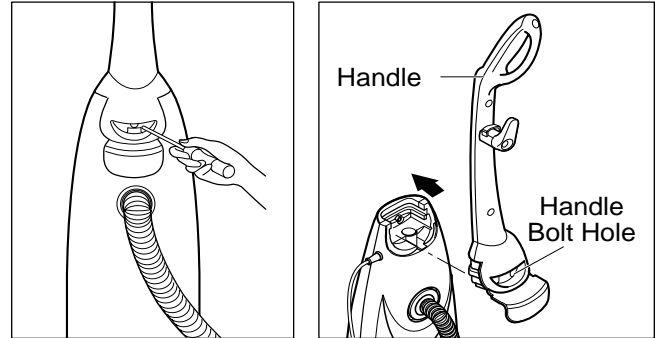
## WARNING

Electrical Shock or Personal Injury Hazard

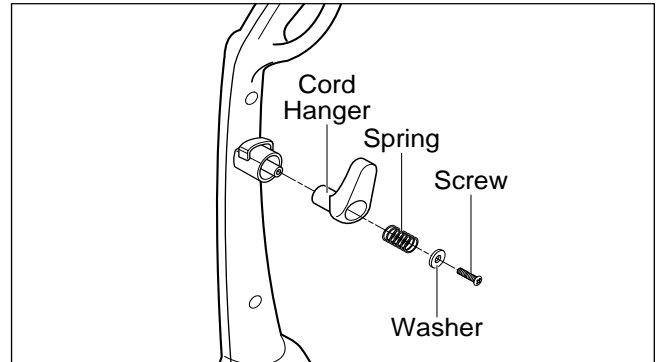
Disconnect electrical supply before servicing or cleaning the unit. Failure to do so could result in electrical shock or personal injury from the vacuum cleaner suddenly starting.

### **Step 1: Disassembling handle and cord hanger.**

Remove screw and pull out the handle.

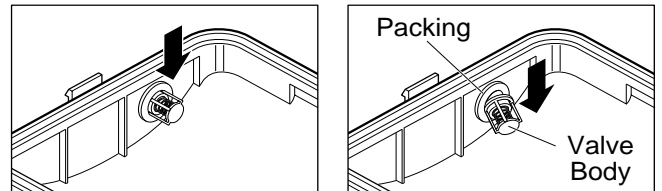


Remove screw and disassemble cord hanger, spring and washer.



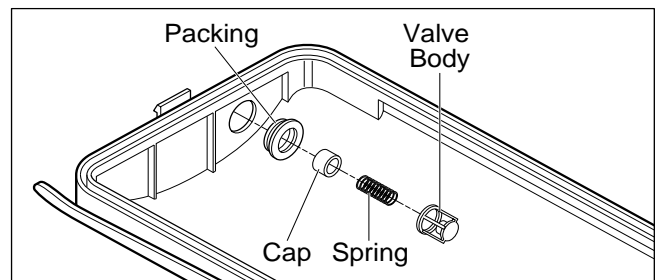
### **Step 2: Disassembling suction release valve**

Remove dust cover from the cleaner.

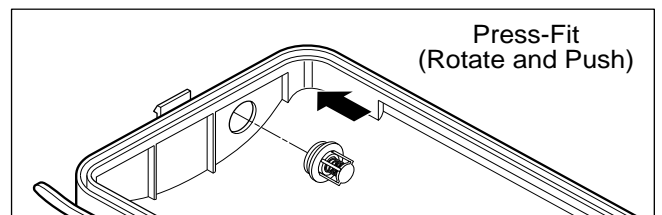


Push the end of valve strongly to detach the valve body from the packing.

Then remove the packing from dust cover.



When reassembling the valve to the dust cover, assembly cap, spring and valve body first. Then press-fit.



# DISASSEMBLY



## WARNING

Electrical Shock or Personal Injury Hazard

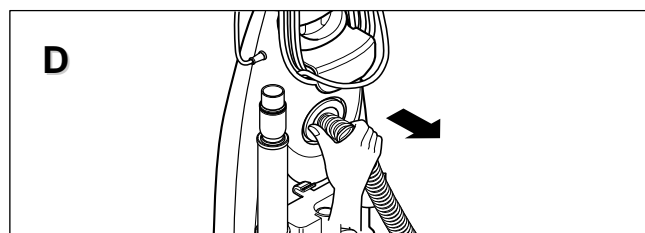
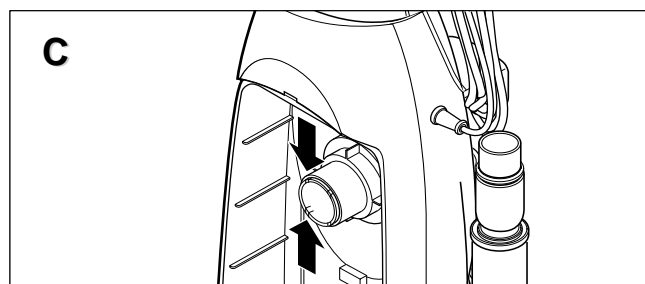
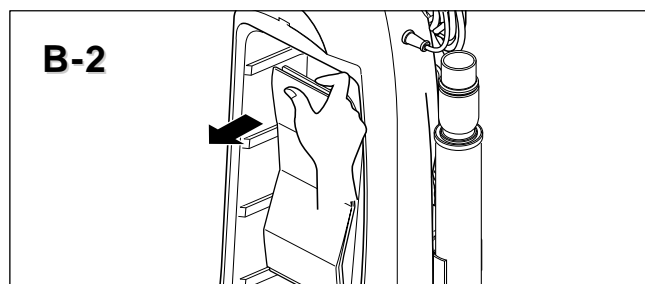
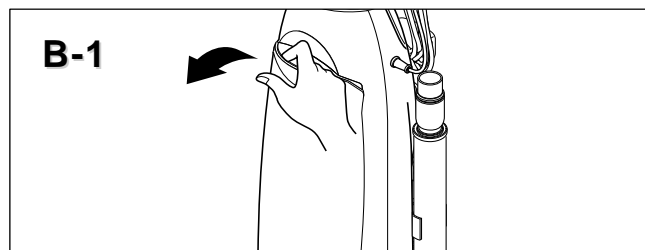
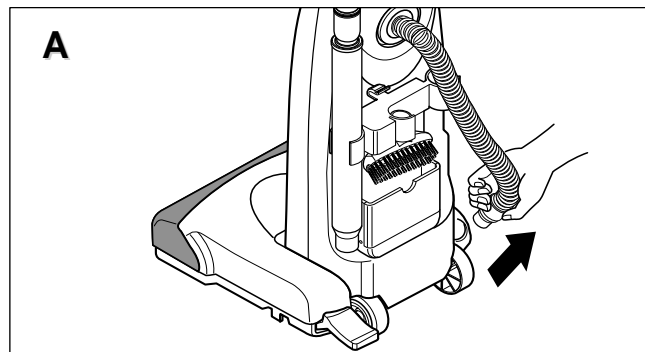
Disconnect electrical supply before servicing or cleaning the unit. Failure to do so could result in electrical shock or personal injury from the vacuum cleaner suddenly starting.

### ***Step 3: Disassembling hose***

Remove the lower end of stretch hose from the cleaner.

Open dust cover and remove filter bag.

Unhook the hose collar inside the dust chamber, and pull the hose strongly to remove.



# DISASSEMBLY



## WARNING

Electrical Shock or Personal Injury Hazard

Disconnect electrical supply before servicing or cleaning the unit. Failure to do so could result in electrical shock or personal injury from the vacuum cleaner suddenly starting.

### **Step 4: Disassembling head of the cleaner (agitator, belt, pedal assembly, etc.)**

Turn the cleaner over to exposure the underside.

To remove the bottom plate, unscrew (optional) and slide latch off as shown in the figure.

Pushing the locking tabs toward the center of the vacuum, pull the bottom plate away from the nozzle housing.

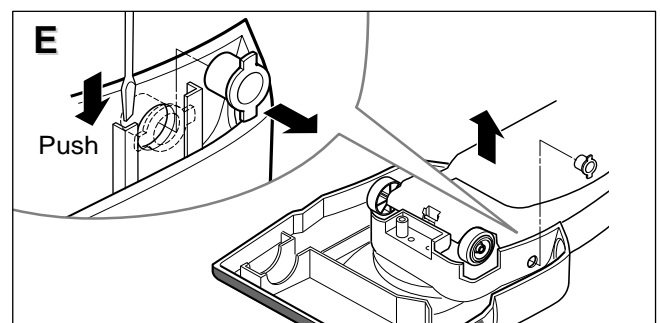
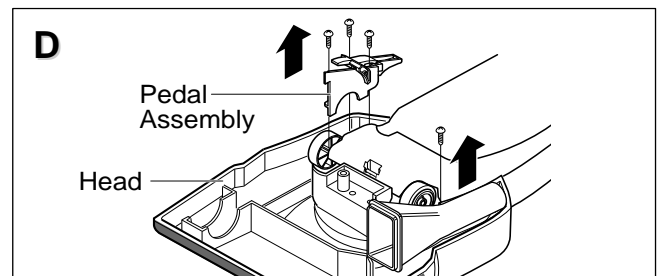
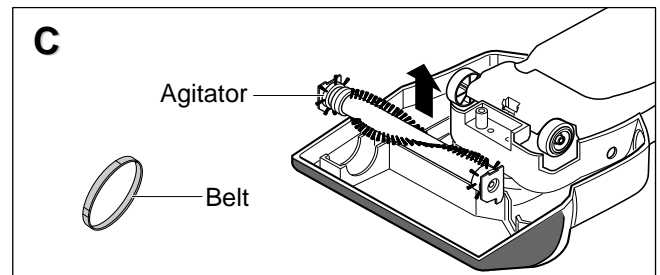
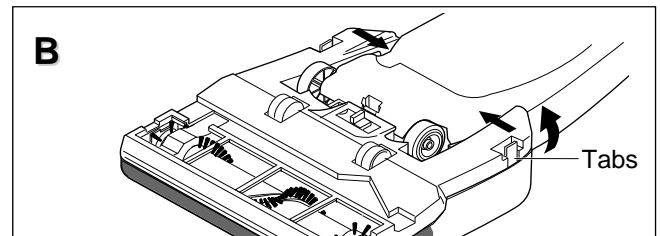
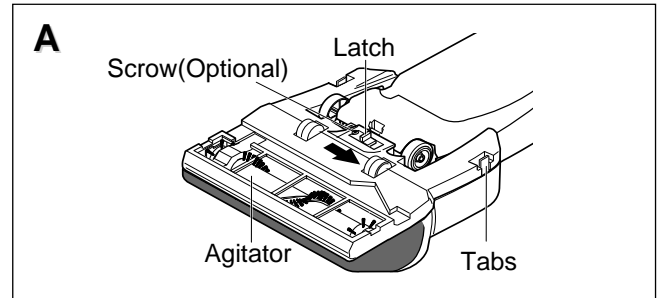
Remove the belt from motor shaft, then grasp the ends of agitator and lift it slowly.

Unscrew and remove the pedal assembly.

Pull the left side of the head cover off the body, then remove right side of the head cover.

Push the right edge of connector pipe to turn and set the position to remove.

Side connector pipe of the head cover.





## WARNING

Electrical Shock or Personal Injury Hazard

Disconnect electrical supply before servicing or cleaning the unit. Failure to do so could result in electrical shock or personal injury from the vacuum cleaner suddenly starting.

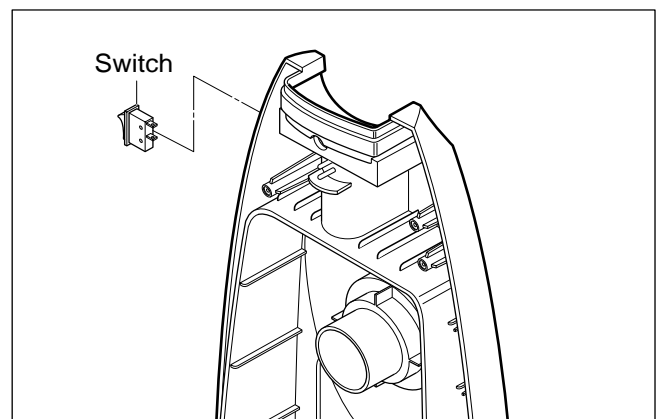
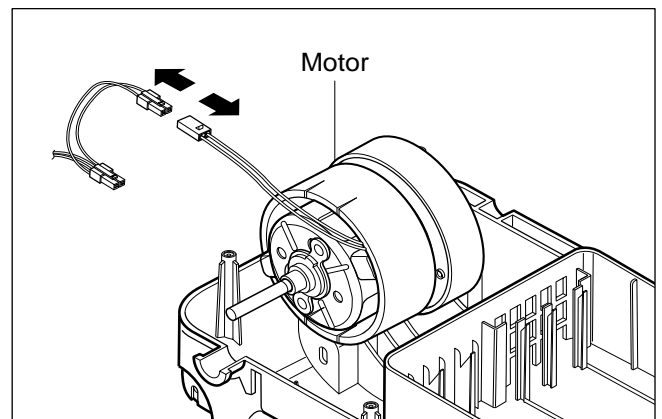
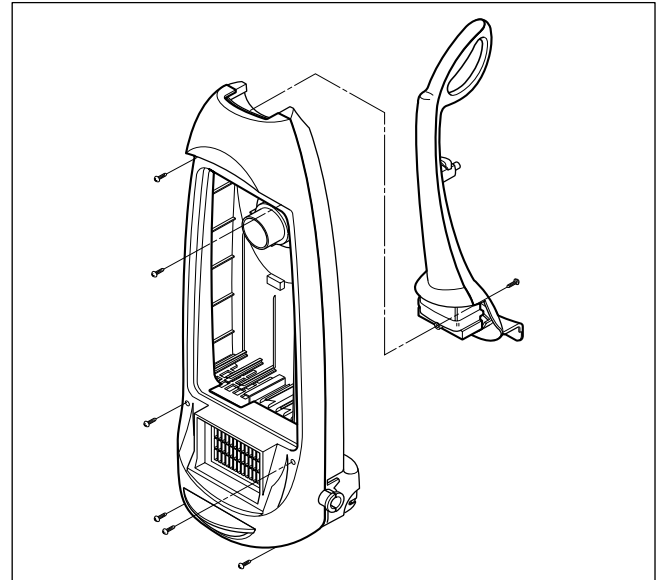
### **Step 5: Disassembling body of the cleaner (motor, switch, fuse, etc.)**

Disassemble head (Refer to Step 4).

Unscrew and remove the body cover from the body base.

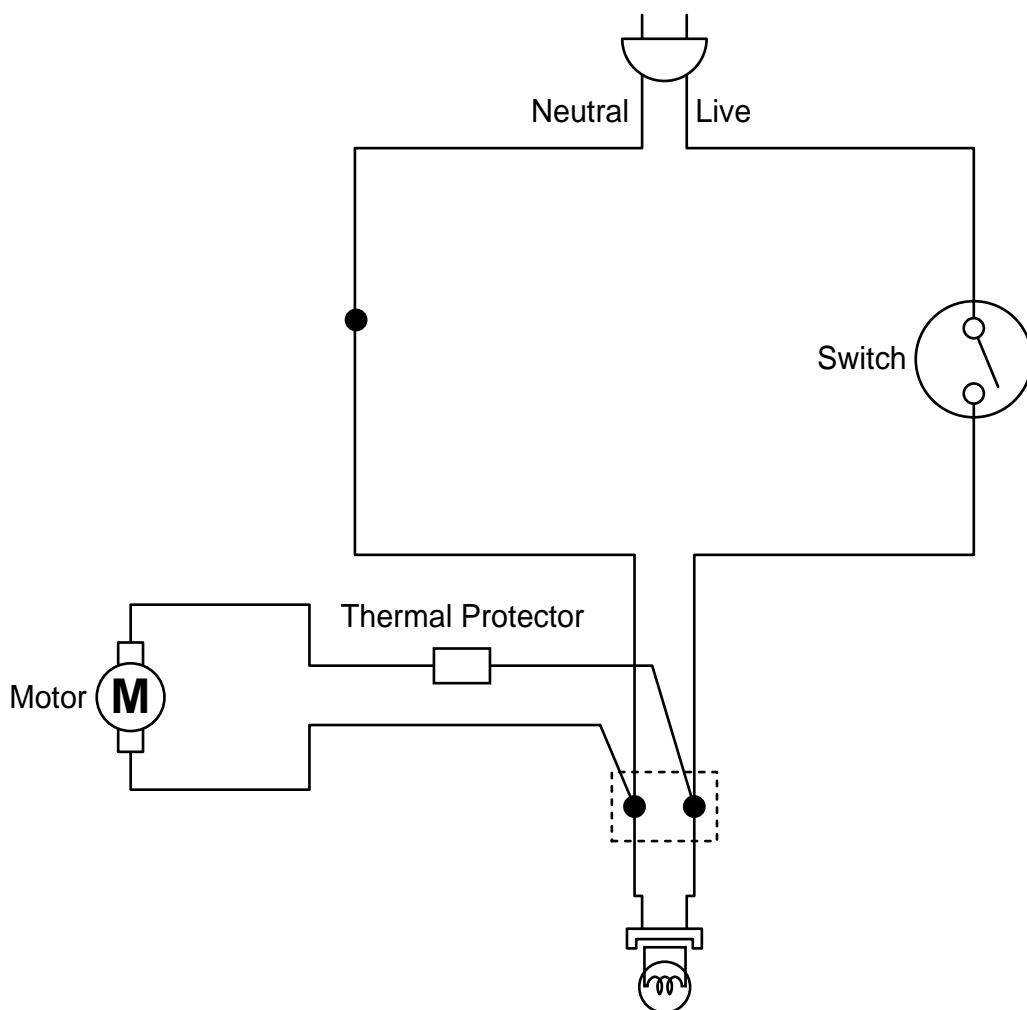
Disconnect wires and remove motor.

Disconnect wires and disassemble switch, fuse and power cord.



# SCHEMATIC DIAGRAM

---



- : CONNECTED BY/WITH
  - TERMINAL AND RECEPTACLE
  - CONNECTOR
  - NYLON CONNECTOR

# EXPLODED VIEW

