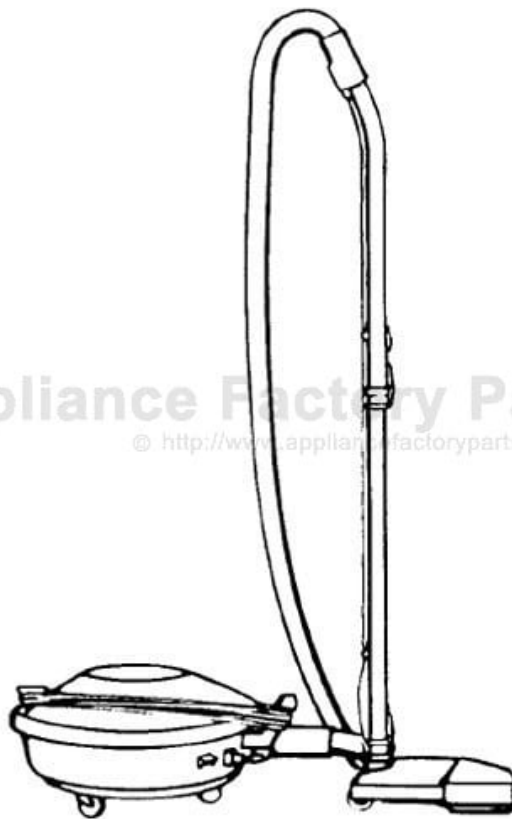


This Owner's Manual is provided and hosted by [Appliance Factory Parts](http://www.appliancefactoryparts.com).



HOOVER Quiet Series Owner's Manual

[Shop genuine replacement parts for HOOVER Quiet Series](#)



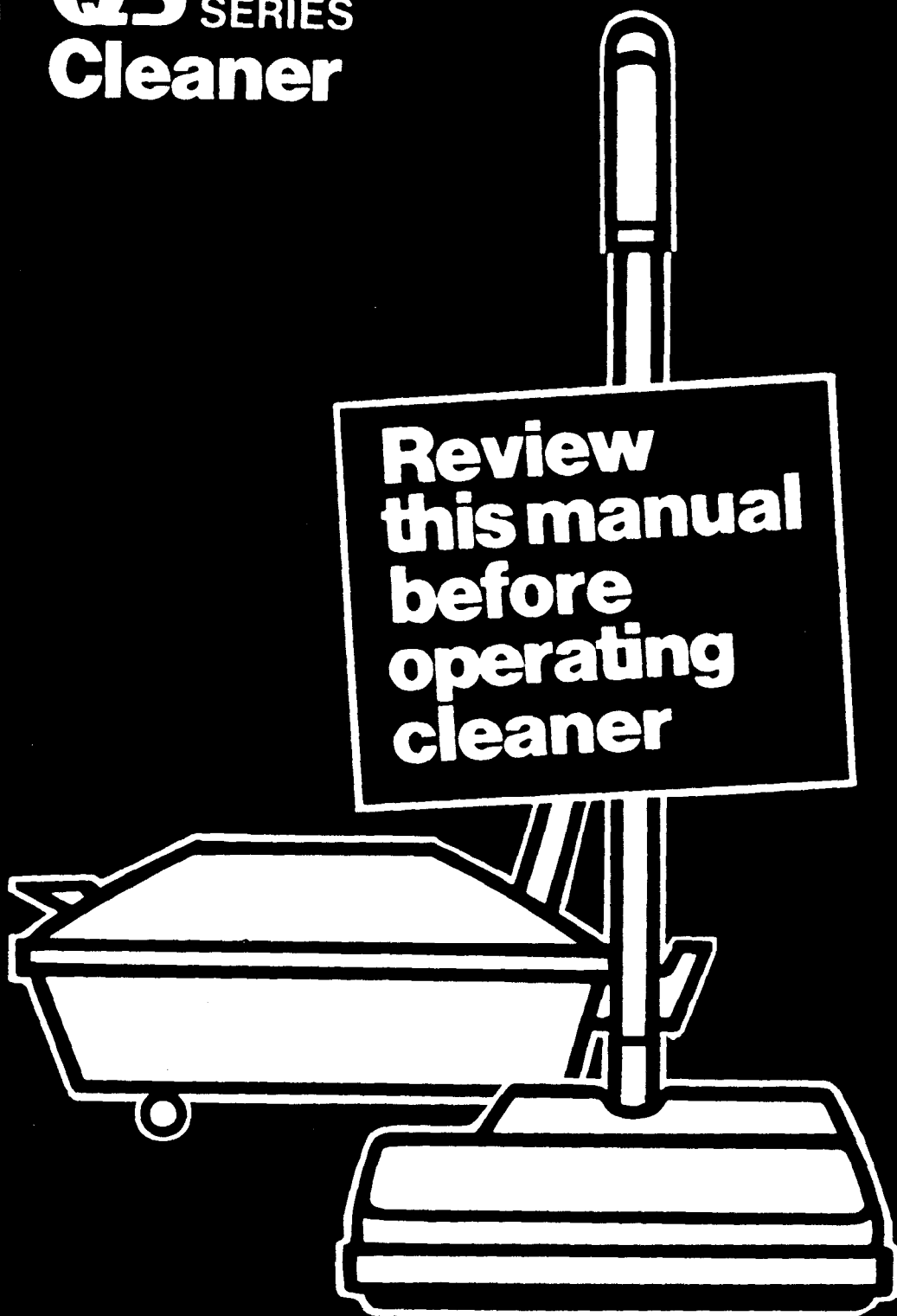
[Find Your HOOVER Vacuum Cleaner Parts - Select From 1455 Models](#)

----- Manual continues below -----

HOOVER®
Celebrity™
QS QUIET™
SERIES
Cleaner

S3181/89
R0

**Review
this manual
before
operating
cleaner**



Fill in and retain!

The HOOVER vacuum cleaner you have just purchased is a combination cleaner. It has a motorized power nozzle for carpet and floor cleaning and has cleaning tools for above the floor cleaning.

Your cleaner is a model no. _____

and has a serial number _____

For your personal records, please enter the model number and serial number in the spaces provided above and retain in a safe place.

The model number and serial number appear on the bottom of the cleaner.

Save!

Index

Assembling Cleaner	5-6
Cleaner Description	3-4
Cleaning Tools	8-9
How To Use	7-8
Important Safeguards	2
Lubrication	17
Maintenance	
Replacing Agitator Brushes	16-17
Replacing Bag	11-12
Replacing Belt	13-15
Secondary Filter	13
Storage	10
To Clean Stairs	10
User Check List	18

Important Safeguards!

- Read all instructions.
- Warning: Electric shock could occur if used outdoors or on wet surfaces.
- Close supervision is necessary when any appliance is used by or near children. Do not allow vacuum cleaner to be used as a toy or to run unattended at any time.
- Keep hands, feet, loose clothing, and hair away from rotating agitator. Do not operate the cleaner in bare feet or when wearing open toe shoes or sandals.
- Don't run power nozzle over cord. It may damage insulation.
- Do not use cleaner to pick up matches, or live ashes and cigarette butts.
- Avoid picking up hard, sharp objects with the cleaner. They may damage the cleaner and the bag.
- Unplug cleaner when not in use. Turn machine off at switch before unplugging.
- Always disconnect cord from electrical outlet before servicing the cleaner.
- Change bag frequently when picking up very fine materials such as powder.
- Grasp the plug to disconnect from wall outlet to avoid damage to cord, plug, prongs, or receptacle.
- The use of an extension cord is not recommended.
- If cleaner is in disrepair, do not attempt to operate.
- Have repairs made by the qualified personnel at Hoover Factory Service Centers or Authorized Hoover Warranty Service Dealers.
- Use vacuum cleaner only for its intended use as described in the instructions. The use of attachments not recommended by the appliance manufacturer may cause hazards.

Save these instructions!



- 1.** Wall Floor Brush
2. Power Nozzle automatically adjusts to different carpet pile heights.
3. Casters provide easy towing; pull cleaner using hose to guide the cleaner over carpet, area rugs and door sills.
4. Hose Cord Connection to Cleaner is made by plugging hose cord into cleaner base at receptacle.
5. ON-OFF Switch is a convenient toe operated switch near the front of the cleaner.
6. Carrying Handle
7. Furniture Guard
8. Cord Storage Hook
9. Extension Wands connect to hose and power nozzle or cleaning tools.
10. Spring Latch locks extension wands.
11. Crevice Tool
12. Multi-Purpose Brush
13. Cover Latch
14. Suction Regulator should be closed for full suction. Open regulator for easy cleaning of some types of carpet, lightweight flexible rugs and lightweight draperies.
15. Cord Clips clip nozzle cord to extension wands.
16. Nozzle Cord Connection to Handle is made by plugging nozzle cord into receptacle underneath the handle.
17. Plastic Latch Ring rotates to lock handle to extension wands or cleaning tools.
- 18.** Handle is on end of hose for use with extension wands or cleaning tools.

Operate cleaner only at voltage specified on data plate on bottom of cleaner.

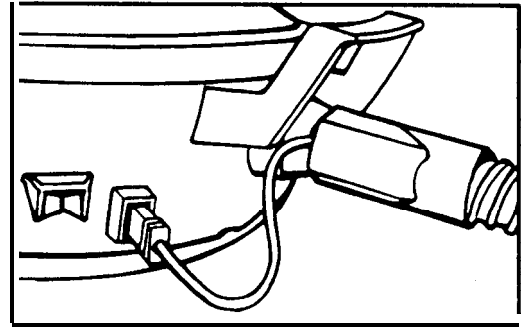
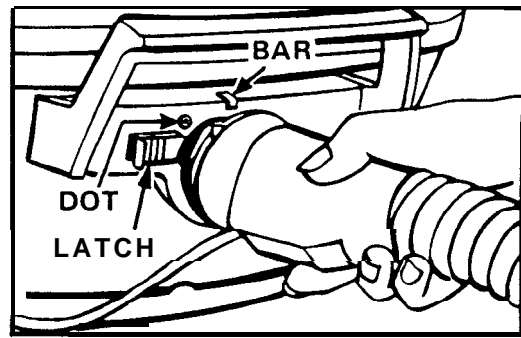
How to assemble

1. Connect hose

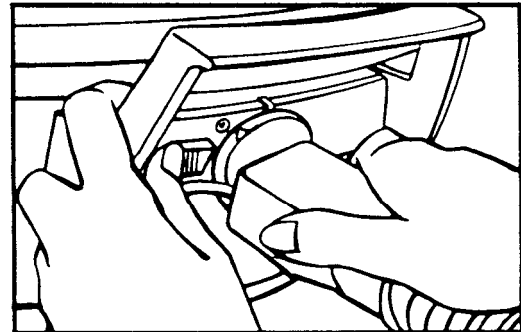
To connect hose, insert hose into opening of cleaner lining up the arrow on the hose with the dot on the cleaner. Turn the hose clockwise until it lines up with the bar on the cleaner and latch locks into place.

When the hose is attached properly, the hose cord plug will reach to the receptacle on the cleaner.

Insert the plug firmly and as deep into the receptacle as possible.



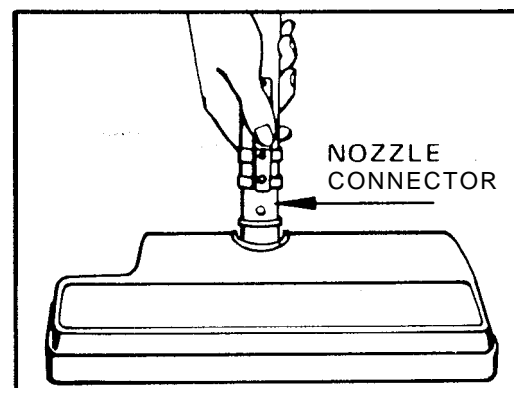
To disconnect hose, first remove hose cord plug from receptacle. Then, depress latch away from hose connection opening in cleaner. While holding latch, turn the hose counterclockwise until the arrow lines up with dot on the cleaner.

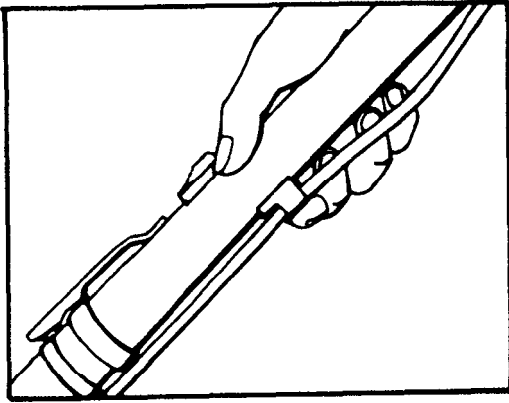


2. Attach power nozzle

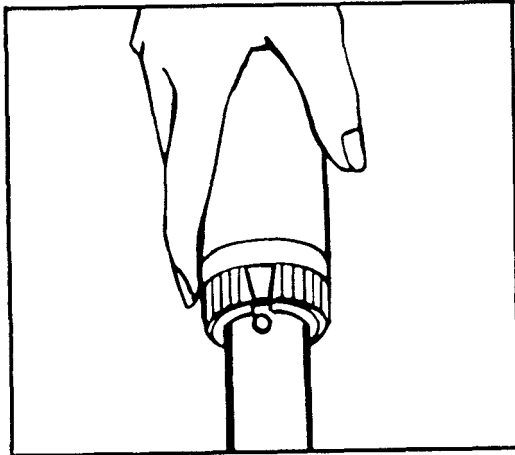
Attach power nozzle at the end of the straight wand by fitting the button projection on the nozzle connector into the opening at the end of the wand. Be sure the nozzle is locked in place.

To release, press down on the center of the spring latch and remove nozzle.



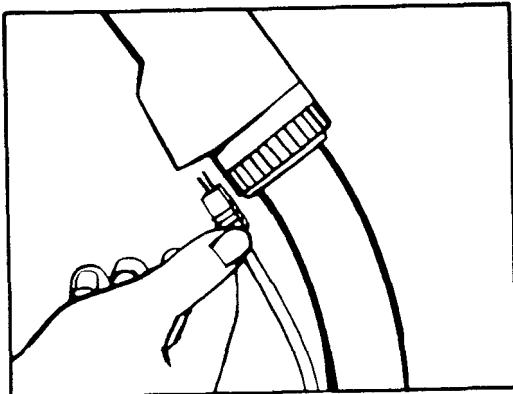


Attach the curved wand to the straight wand. Position cord into cord clips on extension wands, placing excess cord between nozzle and bottom cord clip.



To attach the hose to the extension wands, rotate the plastic latch ring on the handle to accept the button projection on the curved wand.

Push the handle over the wand so that the button projection fits into the slot. Turn the latch ring on the handle to lock the handle and wand in place.



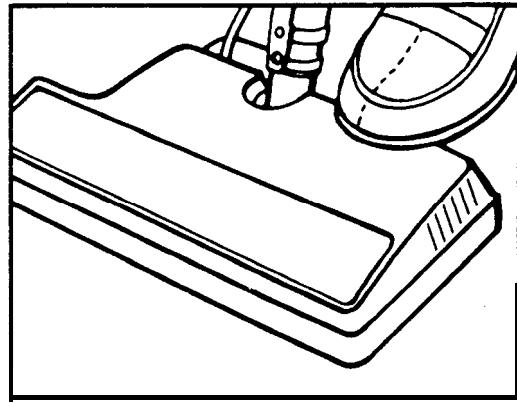
Connect nozzle power cord to receptacle underneath handle.

How to use

Handle adjustments

The handle has two positions when used with the power nozzle: Upright and Operating.

To lower handle to the Operating position, place your foot on the power nozzle and push the handle down.

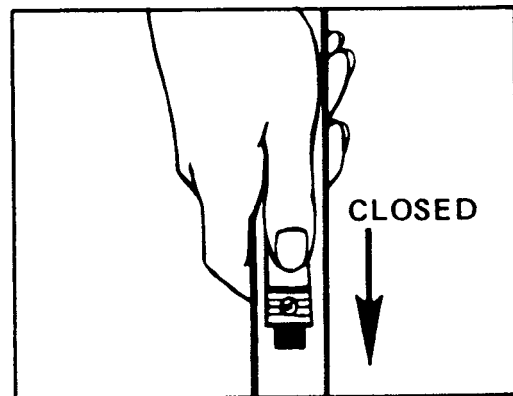


Automatic nozzle adjustment

The power nozzle adjusts automatically to effectively clean hard surface floors and all carpet from low pile to shag.

However, the nozzle is not recommended for very irregular floor surfaces such as brick, slate and certain parquet floors. To clean these floors, use the Wall/Floor Brush.

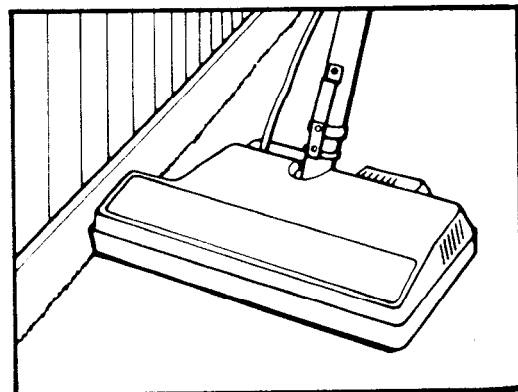
It is suggested that you use the power nozzle with the Suction Regulator closed for full suction. If the power nozzle is difficult to push, open the Suction Regulator.



Edge cleaning

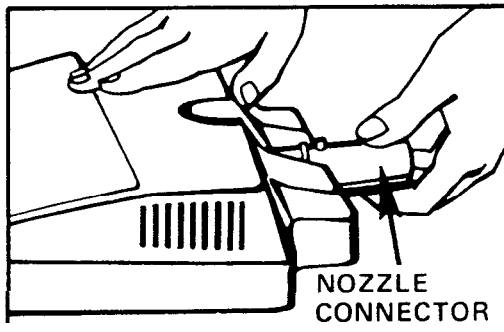
Brushed edge cleaning is provided on the right side of the nozzle to remove imbedded dirt in carpet near baseboards and furniture. Guide the right side of the nozzle parallel to the edge of the carpet or furniture for brushed edge cleaning.

Standard edge cleaning is provided on the left side of the nozzle to remove surface dust and litter. Guide the left side of the nozzle parallel to the edge of the carpet for standard edge cleaning.



Nozzle connector

Removing larger items from carpet and floor surfaces before vacuuming will help maintain the cleaning effectiveness of your cleaner. However, if loss of suction power should occur, proceed as follows: make sure Suction Regulator is closed; check bag for fullness and make sure folds are open; check hose for obstructions by removing wands and power nozzle, turning cleaner ON, and feeling end of hose for suction — remove any obstructions; check wands for obstructions by connecting wands to hose, removing power nozzle from wands, turning cleaner ON and feeling end of wands for suction — remove any obstructions. If loss of suction power still occurs, check nozzle for obstructions.



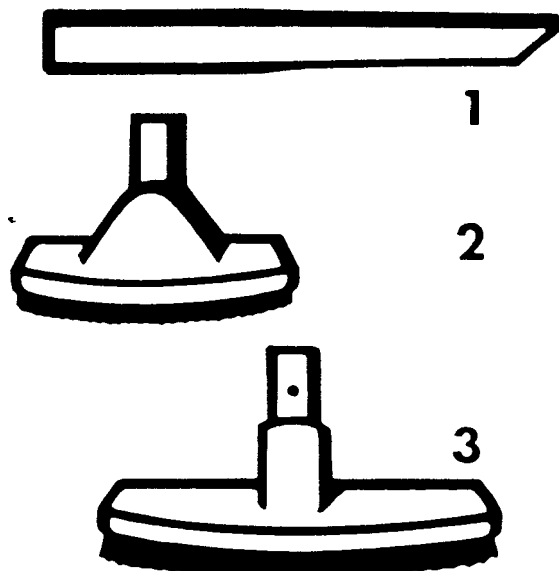
Disconnect cleaner from electrical outlet and disconnect power nozzle from extension wands.

While holding nozzle, push nozzle connector down to lowest position.

Look into nozzle connector and remove any obstructions.

Cleaning Tools

The cleaning tools have many uses. Select the tool best suited for the cleaning task from the descriptions below. Adjust the Suction Regulator to select the amount of suction appropriate to the cleaning task.



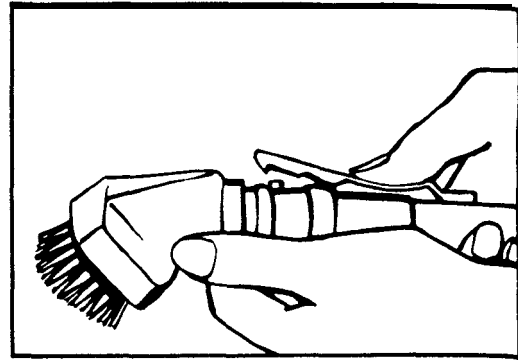
1. Crevice tool For radiators, dresser drawers, spaces between kitchen equipment.

2. Multi-purpose brush For upholstered furniture, draperies, mattresses, clothing, carved furniture, books, lamps, Venetian blinds, baseboards.

3. Wall/floor brush For walls and very irregular hard surface floors such as brick and slate.

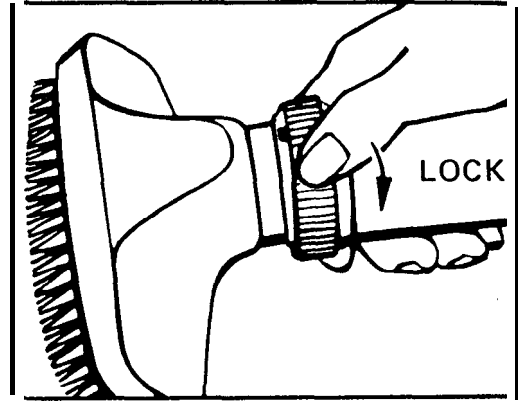
To connect and remove tools

To connect the tools, insert end of tool into the extension wand and snap into position. To disconnect, press down on the center of the spring latch and remove tool.

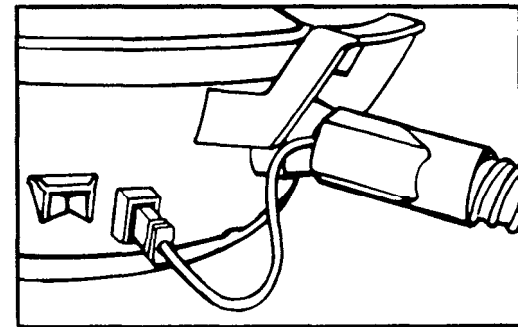


Tools may also be attached to the handle by rotating the plastic latch ring to accept the button projection on the tool. Then, turn the latch ring as shown to lock the tool in place.

To remove the tool, reverse the above procedure.

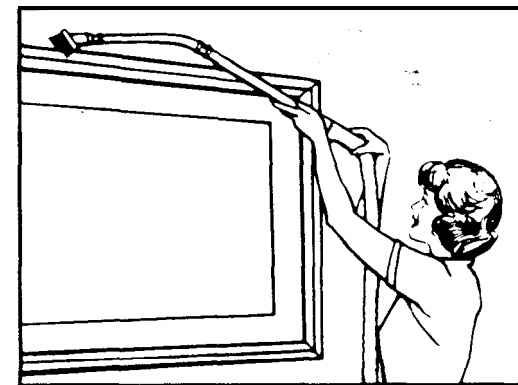


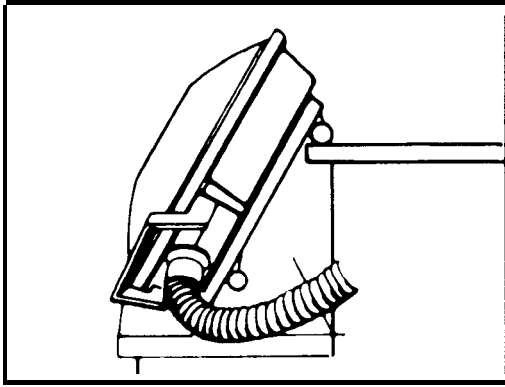
The power cord leading from the hose connection to the receptacle on the cleaner base need not be connected when using the cleaning tools. However, to avoid damage to the cord, leave cord connected to the receptacle on the cleaner.



To clean hard to reach areas

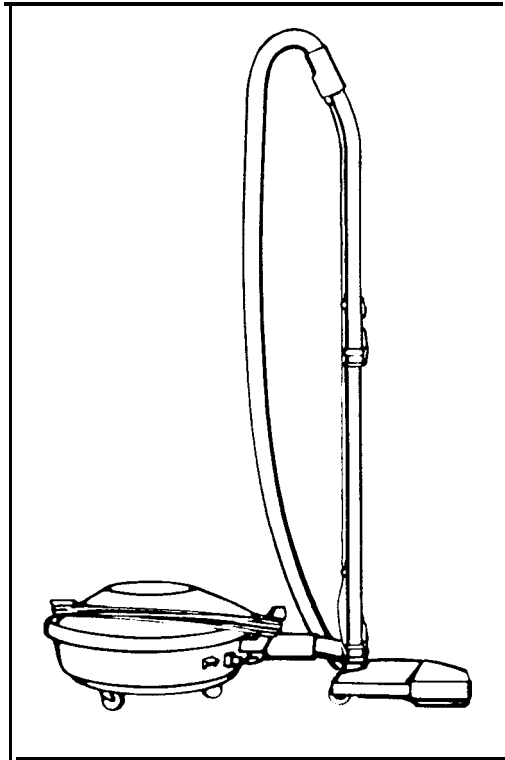
The tools attached to the curved wand, as shown, will enable you to clean many hard to reach areas; especially crown moldings, tops of drapery rods, shelves, and picture frames.





To clean stairs

Clean stairs by placing the cleaner on its side as pictured in the illustration. Clean stairs from bottom to top.



How to store

Cord wrap

When cleaner is not in use, wrap the cord around the cord storage hook, located on the cover of the cleaner, and the carrying handle.

Store the power nozzle with the handle in the upright position. The hose, extension wands and power nozzle can be stored separately from the cleaner if desired.

Maintenance

The following sections are concerned with proper maintenance of the cleaner. Familiarize yourself with these home maintenance tasks and keep this owner's manual in a convenient place where you can refer to it when needed. Proper use and care of your cleaner will insure continued cleaning effectiveness.

THE BAG

When to replace

Check bag from time to time. When the bag is filled with dirt, the cleaner will not operate efficiently. Discard used bag.

CAUTION: Very fine materials, such as face powder, cornstarch, fireplace ashes or fireplace soot, may seal the throw away bag and may cause it to burst even though it is only partially full of dirt. When the cleaner is used to remove material of this nature, the bag should be changed frequently.

Where to buy bags

Bags may be purchased from your local Authorized Hoover Dealer or from a Hoover Factory Service Center. When ordering bags, be sure to give the model number of your cleaner.

What bags to buy

Use HOOVER bag type H with this cleaner.

To assure that your HOOVER cleaner operates at peak performance, it is imperative that you use only genuine HOOVER throw away bags made by The Hoover Company. HOOVER bags can be identified by the trademarks — —

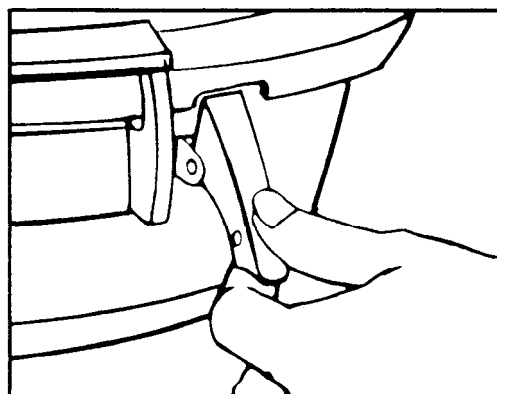
Hoover®

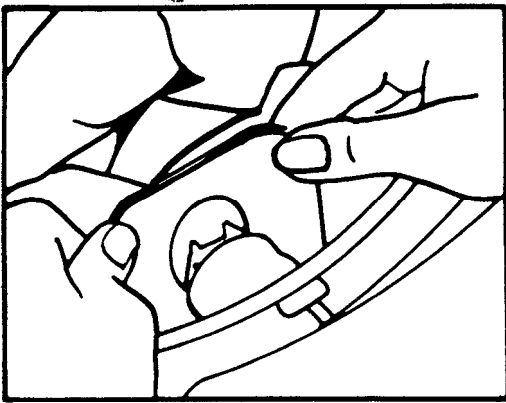


Replacing the throw away bag

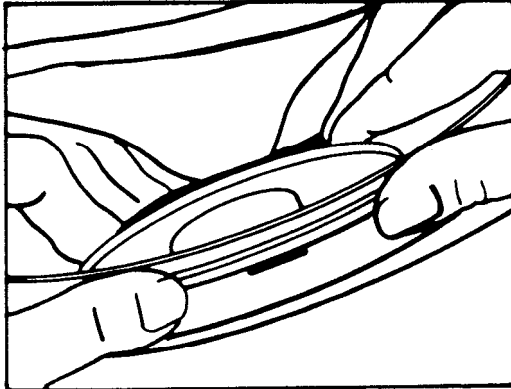
Disconnect cleaner from electrical outlet.

Open the cleaner by lifting up on the latch to release the cover.

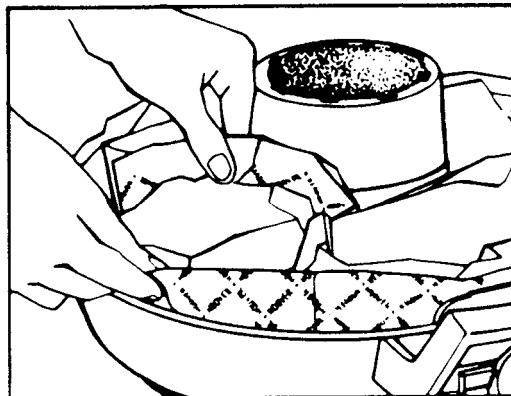




Push used bag **away** from holder and lift out.



Grasp edges of collar section and push opening of collar section of new bag onto holder. Make sure collar is pushed completely up to the ridge on the holder.



Adjust bag around the motor housing and open the folds of the bag to allow the bag to properly fill. Make sure all four folds are open.

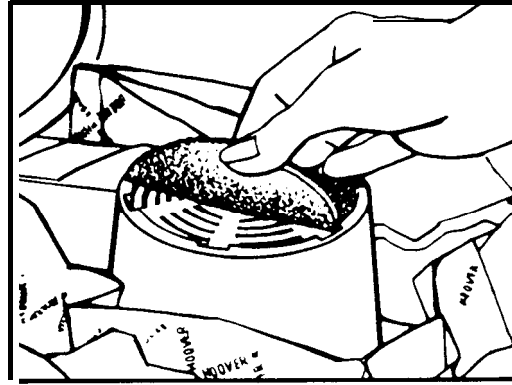
Note: A bag that does not expand properly may restrict air flow. In this event, check the bag, making sure all the folds are open. High suction on some carpet surfaces can cause the nozzle to hug the carpet and also restrict air flow. When this occurs, reducing the suction with the Suction Regulator may be helpful.

SECONDARY FILTER

To clean secondary filter

Disconnect cleaner from electrical outlet.

The secondary filter protects the motor from dirt particles. If the filter becomes dirty, either clean or replace it. To remove secondary filter, open cover of cleaner and lift the filter from the top of the motor housing. Clean filter by rinsing it in water. When dry, slide secondary filter back into place.



THE BELT

The belt in your power nozzle drives the agitator. It has been designed specifically for use in this cleaner and is important for effective operation. There are other belts manufactured that are similar in shape and size but are not designed for the HOOVER power nozzle. Such belts do not operate the agitator correctly and may create stress which could damage your power nozzle. Use only a genuine HOOVER Belt No. **38528-011** when a belt replacement is necessary.

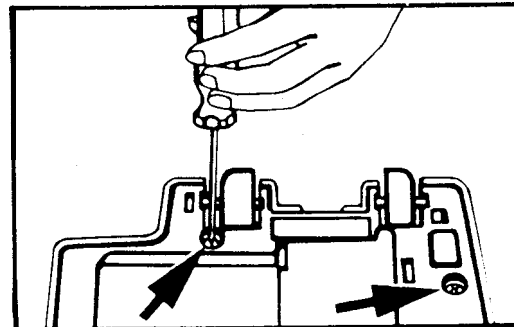
When to replace the belt on power nozzle

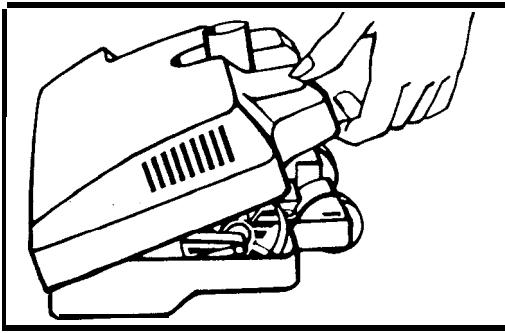
The belt, located under the nozzle cover, should be checked from time to time to be sure it is in good condition. To check remove the nozzle cover (see following section). If the belt is stretched or cut; or if the agitator fails to rotate, replace the belt.

How to replace the belt

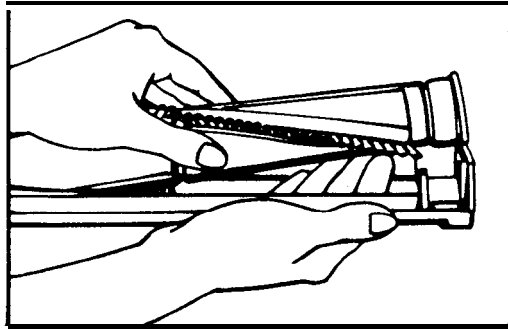
Disconnect cleaner from electrical outlet and disconnect power nozzle from extension wands.

Turn nozzle over and unscrew the 2 Phillips head screws from the nozzle base.

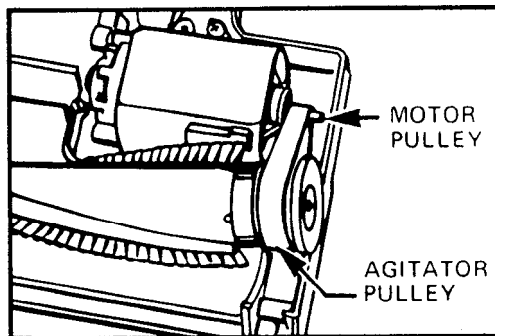




Return nozzle to original position and lift up back of nozzle cover. Then remove cover, rotating it forward and lifting it off.

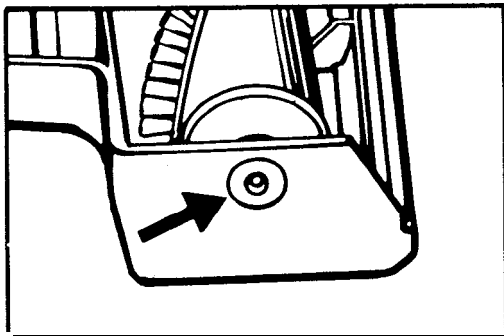


To remove the agitator, position your hand underneath the nozzle base at the agitator opening and push up the belt side of the agitator. Remove agitator and old belt.



Place one end of new belt around the motor pulley, with lettering on outside of belt.

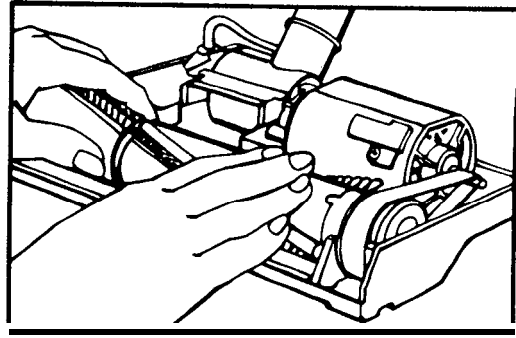
Then slip other end of belt around the plastic pulley end of the agitator.



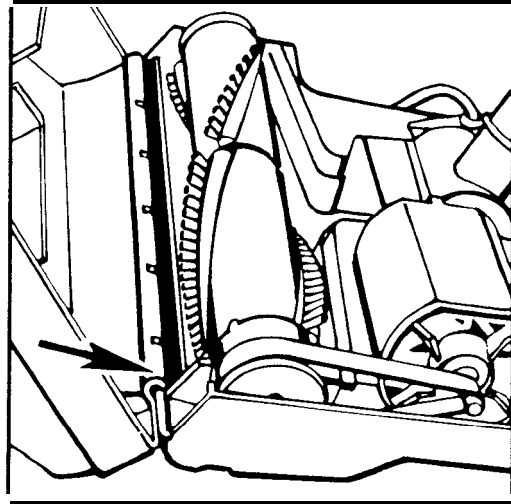
Position round projection on end of agitator (opposite the belt) into the opening on the wall of the nozzle base.

Slide belt side of agitator into place, pushing the agitator slightly to left, pulling it forward and then down.

Roll agitator to make sure belt is positioned properly.

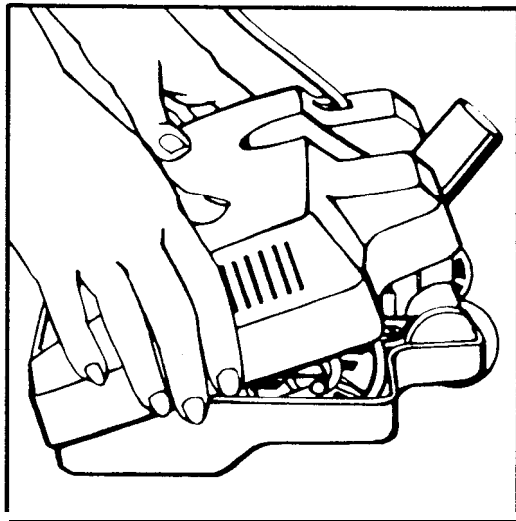


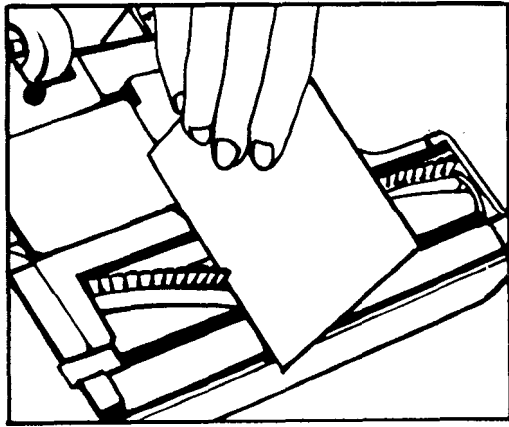
The cover attaches at the front of the nozzle. Place the notched edge at the front of the cover into the groove in the nozzle base.



While maintaining front connection, rotate cover over nozzle base and pull nozzle cord through opening in cover.

Turn nozzle over and replace screws.





AGITATOR BRUSHES

When to replace brushes

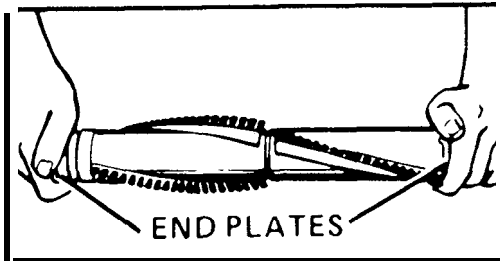
To check condition of brushes, place edge of a card on the bottom of nozzle base, across agitator opening. Rotate agitator by hand. If brushes do not touch edge of card, all four brushes and brush roll should be replaced to maintain cleaning effectiveness.

When replacing agitator brushes, ask for HOOVER part No. 48445017.

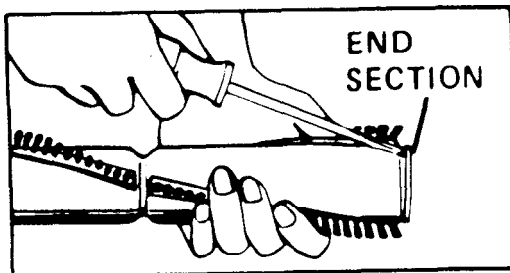
How to replace agitator brushes

Disconnect cleaner from electrical outlet and disconnect power nozzle from extension wands.

Remove nozzle cover, agitator and belt following directions in "How to replace belt" section.



1. Hold agitator as shown. Turn end plates counterclockwise until one end plate comes off.



2. Pull or pry out end sections as shown in illustration.

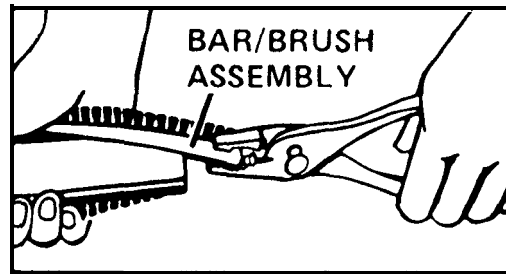
Note: Pulley end should be removed by pulling straight out.

3. Note position of bar-brush assemblies to insure correct replacement.

Remove bar-brush assemblies by pulling them from agitator slots. Use pliers if necessary.

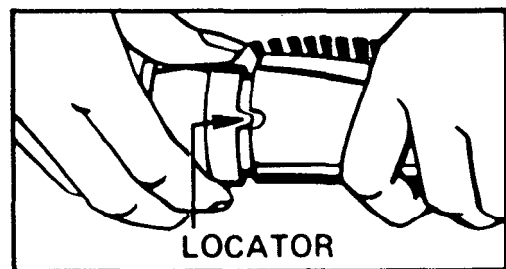
The word "BAR" is stamped near the slots on the agitator.

Match the bar side of the bar brush assembly with the label on the agitator shell. Slide the new assemblies into the slots, while twisting the assemblies in a counterclockwise motion. Push in as far as possible, tapping the other end lightly if necessary. Be sure brushes and bars are aligned for full length of agitator.



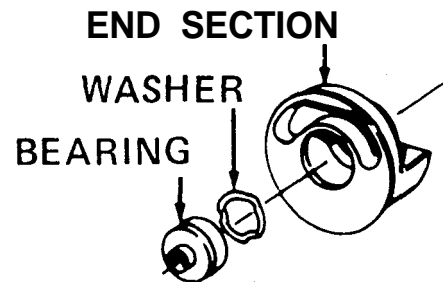
4. Reassemble agitator parts. Line up locator on end sections with slot on agitator. Push end sections into position.

Screw on end plates and tighten.



5. Should you accidentally displace the bearing during disassembly, reassemble as shown.

Replace belt, agitator and nozzle cover.



Lubrication

The motor is equipped with one ball bearing and one sleeve bearing. These bearings contain sufficient lubrication for the life of the motor. The addition of lubricant could cause damage. Therefore, do not add lubricant to either motor bearing.

The agitator is equipped with two ball bearings that should be lubricated periodically. This should be done by a Hoover Factory Service Center or an Authorized Hoover Warranty Service Dealer.

User check list

This appliance was inspected thoroughly and was in good operating condition when it was shipped from the factory. If a minor problem develops, it usually can be remedied quite easily when the cause is identified. Accordingly, this check list is provided for your convenience.

Problem	Possible cause	Possible solution
A. Cleaner won't run	<ol style="list-style-type: none">1. Not firmly plugged in.2. No voltage in wall plug.3. Blown fuse/tripped breaker.	<ol style="list-style-type: none">1. Plug unit in firmly.2. Check fuse or breaker.3. Replace fuse/reset breaker.
B. Cleaner suction low	<ol style="list-style-type: none">1. Bag full.2. Obstruction in hose, wands or nozzle connector.3. Secondary filter dirty.4. Bag not opening.5. Suction regulator control improperly set.6. Hose not properly connected to cleaner.	<ol style="list-style-type: none">1. Change throw away bag.2. Remove foreign object.3. Clean filter.4. Open bag by pulling folds.5. Check to be sure suction regulator is set properly.6. Insure hose properly connected.
C. Agitator won't run	<ol style="list-style-type: none">1. Hose power cord not firmly plugged in.2. Broken or worn belt.	<ol style="list-style-type: none">1. Plug firmly into receptacle on cleaner base and underneath handle.2. Replace belt.
D. Nozzle won't pick up	<ol style="list-style-type: none">1. Low cleaner suction.2. Obstruction in nozzle connector.3. Agitator not running.4. Agitator brushes worn.	<ol style="list-style-type: none">1. See Item B.2. Remove foreign object.3. See Item C.4. Replace brushes.

If the problem persists, check the Yellow Pages of your telephone book under "Vacuum Cleaners - Household" for your nearest Hoover Factory Service Center or Authorized Warranty Service Dealer where approved HOOVER service and genuine HOOVER replacement parts may be obtained. The warranty provided with this product has a listing of the Hoover Factory Service Centers. If you are unable to obtain the information you need from the Yellow Pages, contact a Hoover Factory Service Center to find your nearest Authorized Warranty Service Dealer. For service under warranty, follow the instructions in the Warranty provided with this product.

Always identify your cleaner by model number when requesting information or ordering replacement parts. (The model number appears on the bottom of the cleaner.)

If further assistance is needed, contact the Hoover Company Consumer Affairs Department, North Canton, Ohio 44720, 216-499-9200.

Consumer Information

This information has been compiled by the Vacuum Cleaner Manufacturers Association from Governmental and Private Sources concerned with product safety. These basic guidelines are for your protection and convenience.

TO AVOID ELECTRIC SHOCK

Never vacuum liquids.

Never vacuum carpeting that is damp or wet.

Do not store machine outdoors.

Replace worn or frayed power cord immediately.

TO AVOID ACCIDENTS

Never vacuum live ashes or cigarette butts.

Never run machine over power cord or place sharp objects on it.

Never let children use machine as a toy.

Use extra caution when cleaning on stairs.

Keep machine on floor -- not on chairs, tables, etc.

When machine is turned on, never allow fingers, hair or garments to come near intake suction ports or revolving brushes.

Never leave machine running or cord plugged in when unattended.

Turn machine off at switch before unplugging from wall outlet.

When unplugging machine, grasp plug -- not cord.

Always unplug power cord from wall outlet before servicing machine or attaching accessories.

Store machine promptly after each use to prevent accidents from tripping over power cord or machine.

Use machine and accessories only in manner intended by manufacturer.

FOR BEST PERFORMANCE

Keep your machine and all accessories clean and in good operating condition.

Change or clean bags and/or filters as recommended by manufacturer to maintain optimum cleaning efficiency.

Periodically check revolving brush for build-up of lint, hair or other foreign material and remove as necessary.

Adjust or replace cleaning brushes when worn.

Buy replacement parts from manufacturer's authorized service center.

Have machine checked periodically by manufacturer's authorized service center.

Store machine carefully -- in dry area -- never outdoors.

For optimum cleaning performance and safety, study and follow your Owner's Manual -- keep it in a handy and safe place for future reference.

THE HOOVER COMPANY, NORTH CANTON, OHIO 44720

10-80 S3181/89

Litho USA

56513-130