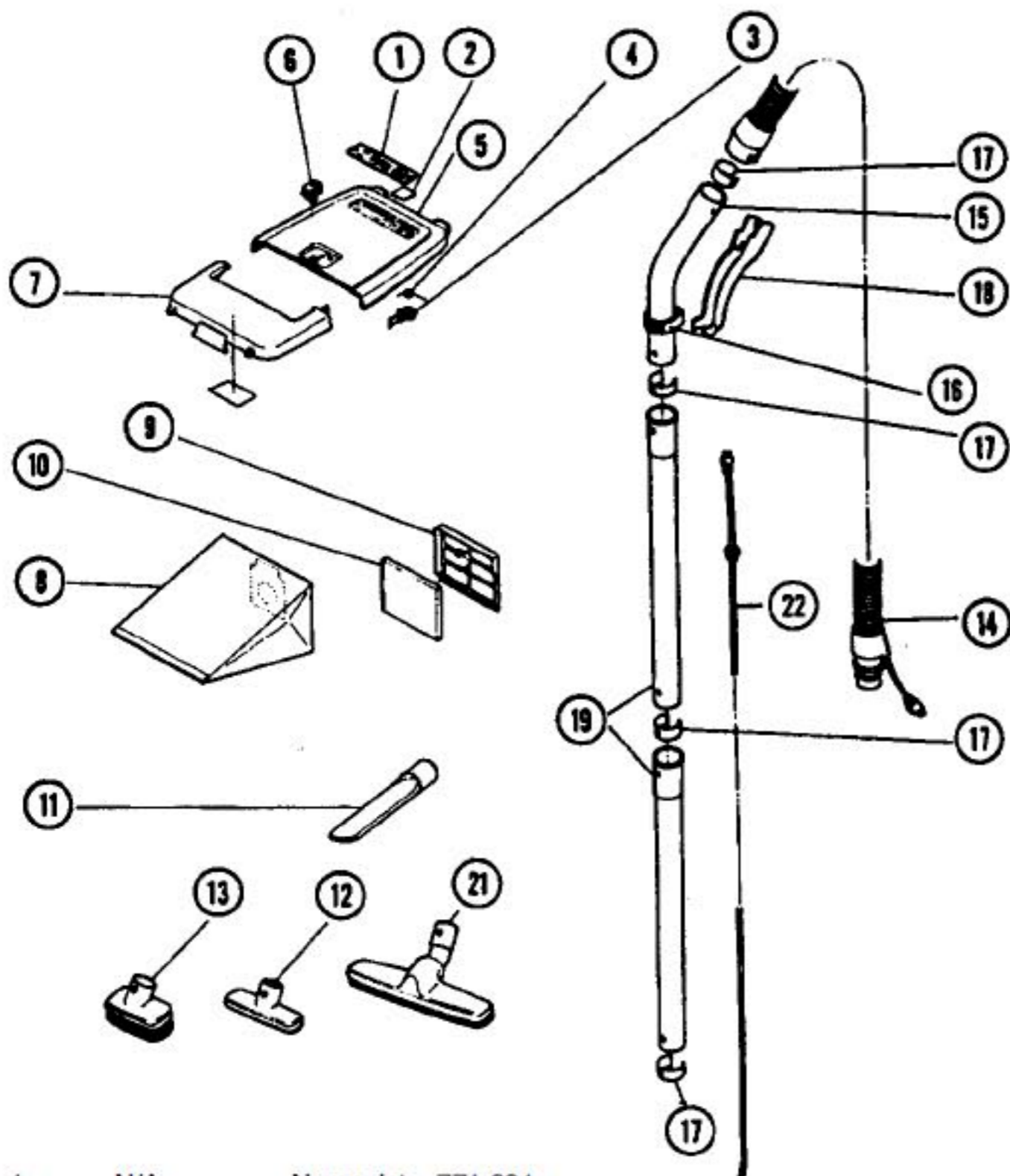


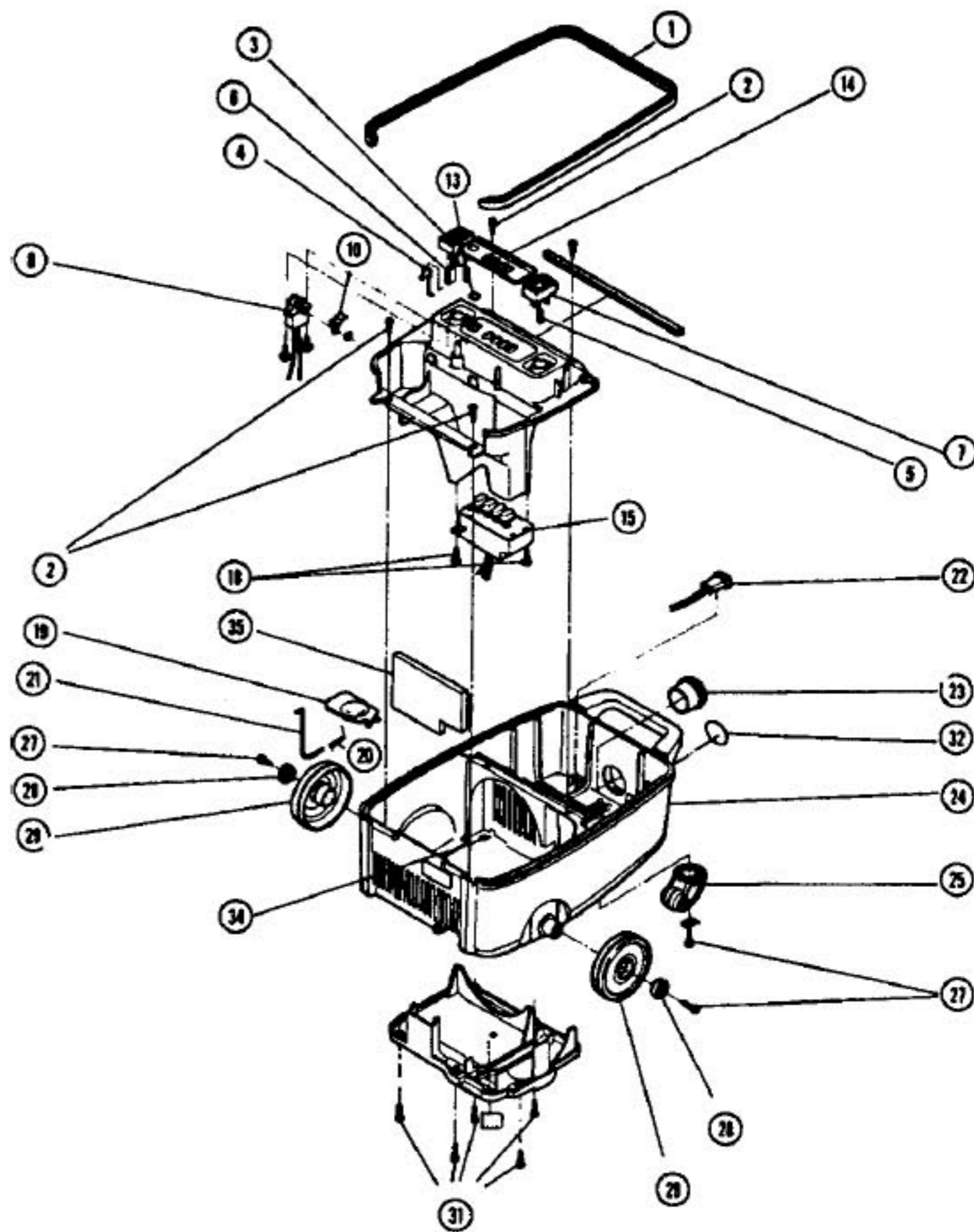
Models: MC-771, MC-772, MC-872, MC-881, MC-883

Dust Cover and Attachments



- 1 N/A Nameplate, 771,881
- 1 P-116 Nameplate, 883
- 4 N/A Spring, indicator, 771,881
- 5 P-6021 Dust Cover, ivory
- 6 P-012 Knob
- 7 N/A Cover, tool storage
- 8 P-125P Paper Bag, type "C3", 3 pack
- 8 P-125PT Paper Bag, type "C3", 12 pack
- 8 254 Paper Bag, 3 pack (R)
- 8 254-12 Paper Bag, 12 pack (R)
- 9 P-9921 Cloth Bag
- 9 P-312 Support, filter
- 10 P-302 Filter
- 11 P-6073 Crevice Tool
- 12 P-862 Upholstery Brush
- 13 P-882 Dusting Brush
- 14 N/A Hose Assembly, 771,772
- 14 P-10465 Hose Assembly, electric, 872,881,883
- 15 P-982 Wand, curved
- 16 P-542 Suction Regulator
- 17 P-9274 Spring, w/ button
- 18 P-164 Grip Cover, 872,881,883
- 19 P-402 Extension Wand
- 21 P-9974 Floor and Wall Brush
- 21 P-992 Rug and Floor Nozzle
- 22 P-394 Wand Cord, w/ male plug, stripped end

Body Unit



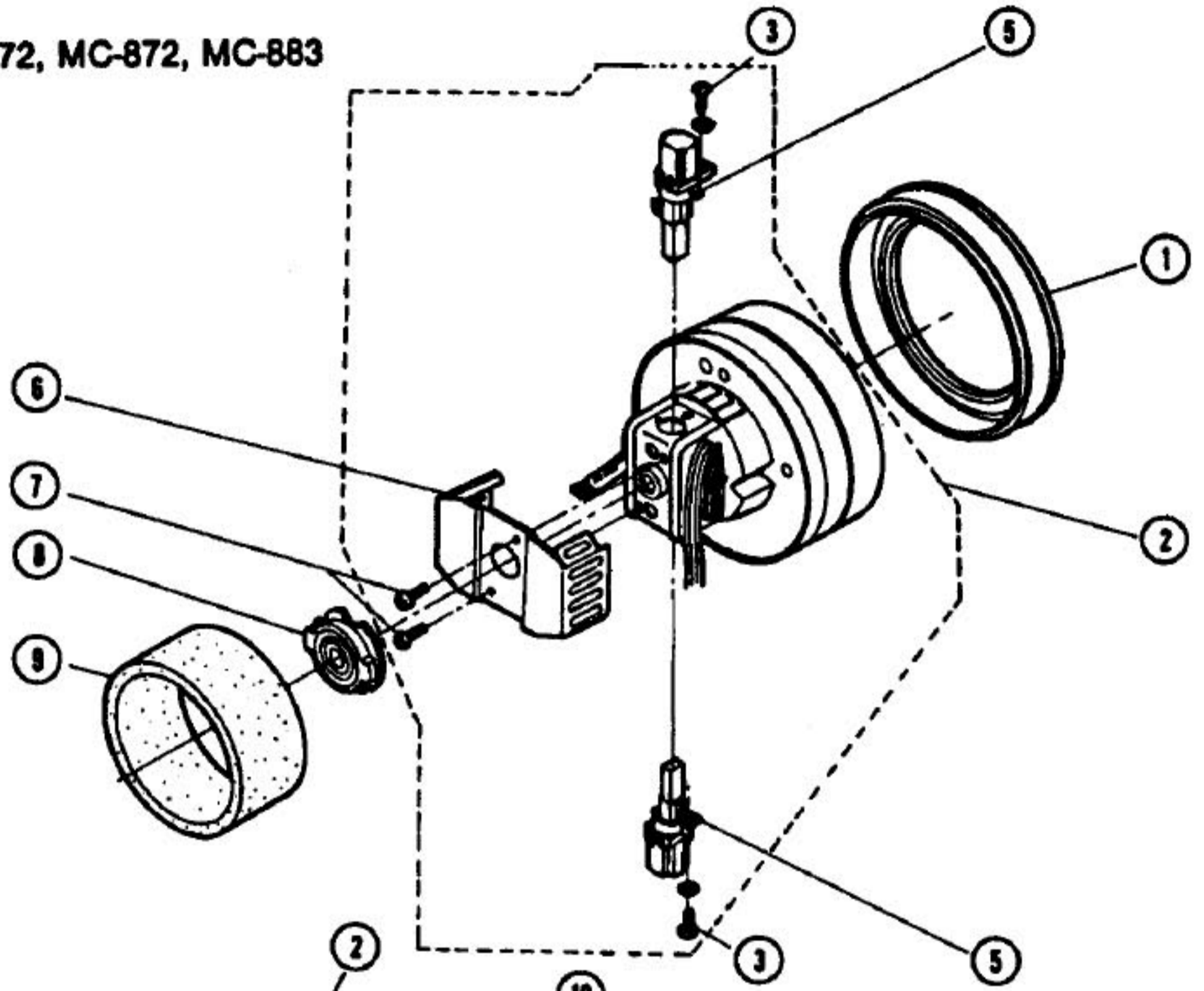
- 1 P-1020 Furniture Guard
- 2 P-20 Screw
- 3 P-052 Button, on / off
- 4 P-152 Lever, switch indicator
- 5 P-872 Spring, cord rewind
- 6 P-082 Spring, switch
- 7 P-4620 Button, cord rewind
- 8 P-9822 Switch, on / off
- 10 P-9320 Indicator, switch
- 15 P-893 Switch, power control unit, 772
- 15 P-416 Screw, power control switch, 10 pk
- 19 P-282 Blower Cover
- 20 P-3180 Spring, blower cover
- 21 N/A Shaft, blower cover
- 22 P-632 Plug, female, 872,881,883
- 23 P-642 Suction Inlet Fitting
- 24 N/A Lower Body
- 25 P-956 Caster Assembly
- 27 P-416 Screw, 10 pk
- 28 P-578 Wheel Cap, 883
- 29 N/A Wheel, rear
- 31 P-20 Screw
- 35 P-302 Filter
- N/A Cord Reel Assembly

Models: MC-771, MC-772, MC-872, MC-881, MC-883

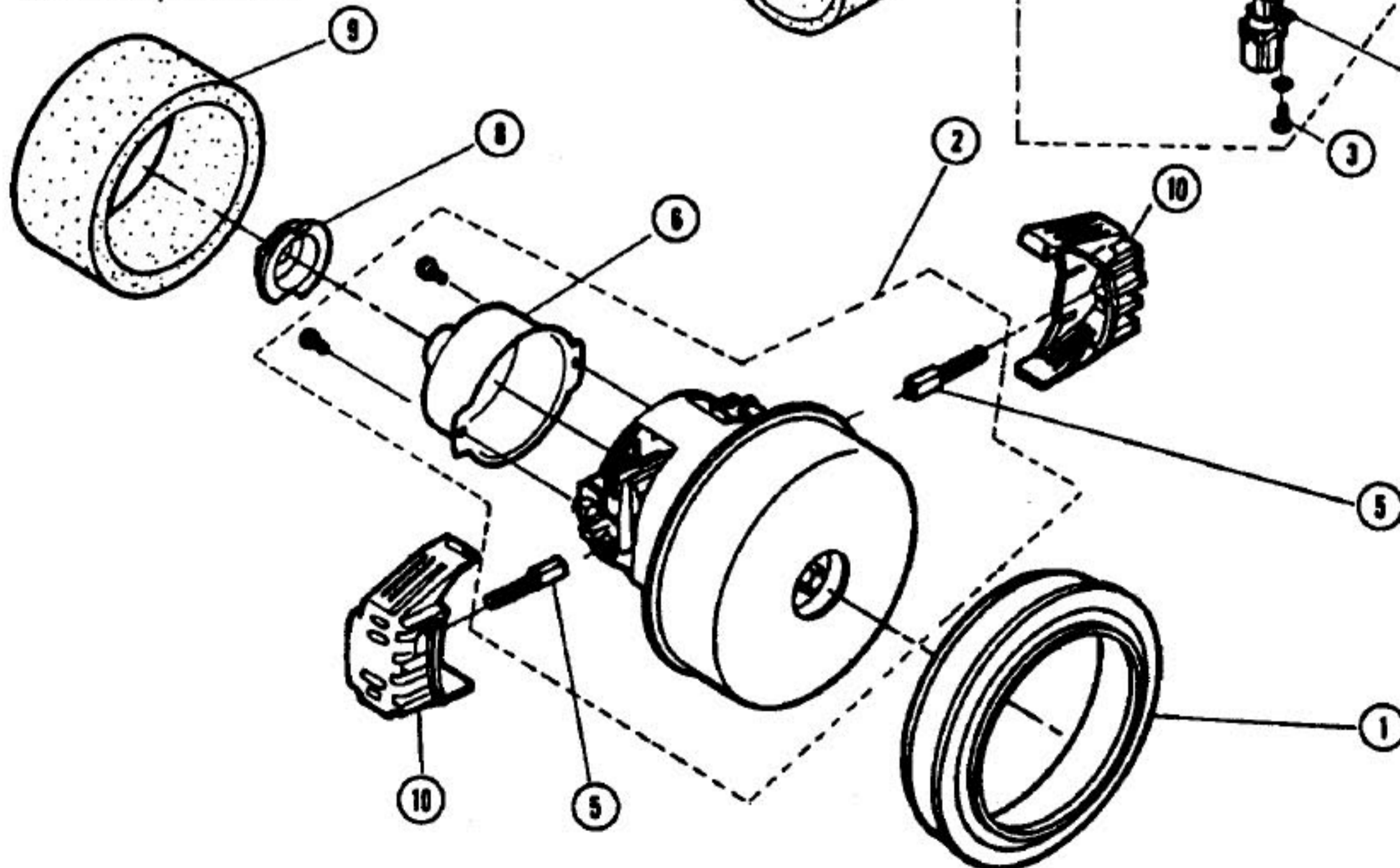
Motor Unit

- 1 P-022 Motor Support Rubber, front, 771,881
- 1 P-026 Motor Support Rubber, front, 772,872,883
- 2 P-923 Motor Assy, 4 speed, 772,872,883
- 2 P-9220 Motor Assy, 1 speed, 771,881
- 3 P-4100 Screw
- 5 P-272 Carbon, w/ spring, 771,881
- 5 P-273 Carbon Brush Assy, 772,872,883
- 6 P-0632 Motor Cover, 771,881
- 7 P-48 Screw, sold each
- 8 P-12493 Motor Support, rear
- 9 P-9920 Noise Suppressor
- 10 N/A Carbon Brush Cap, 771,881

MC-772, MC-872, MC-883



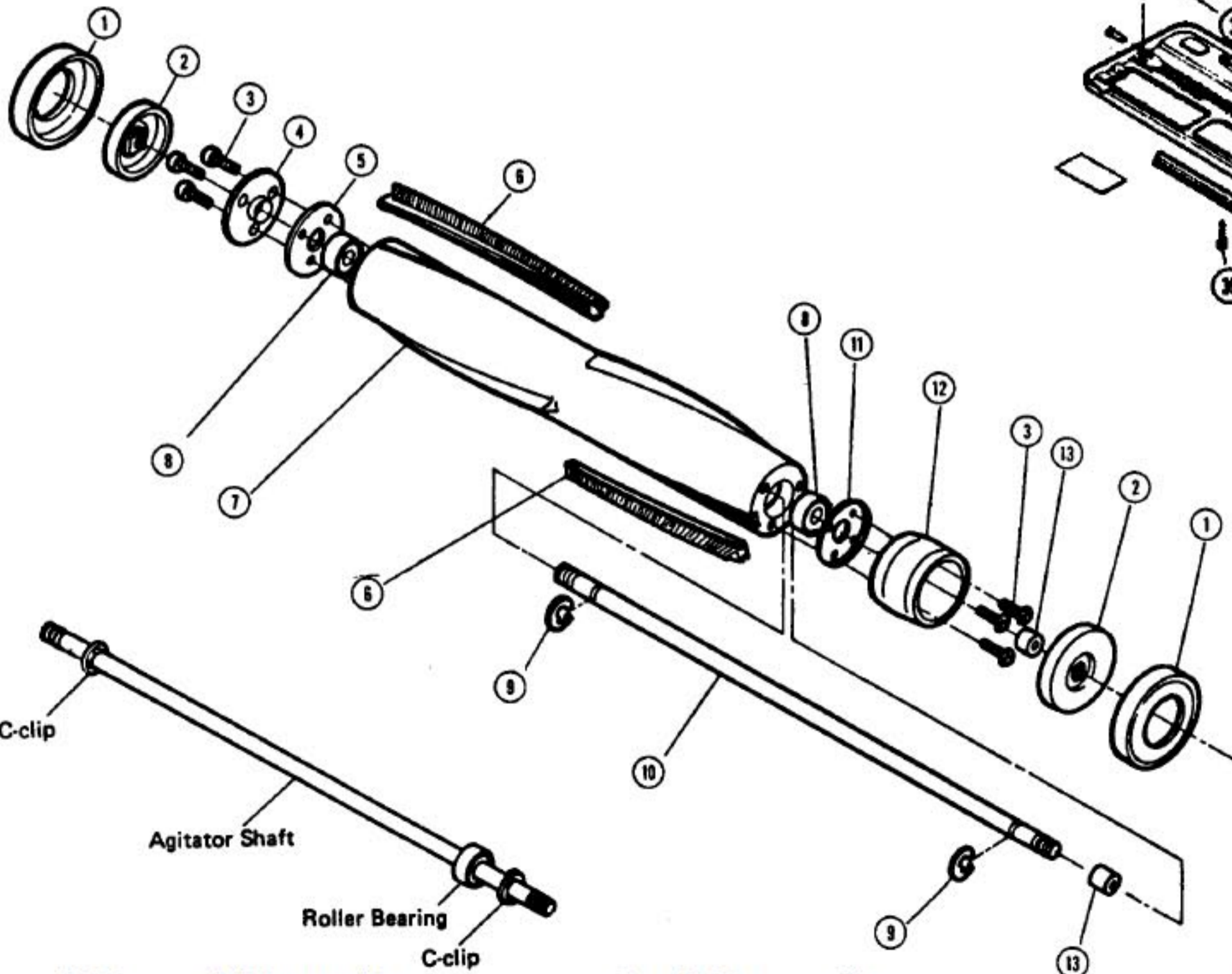
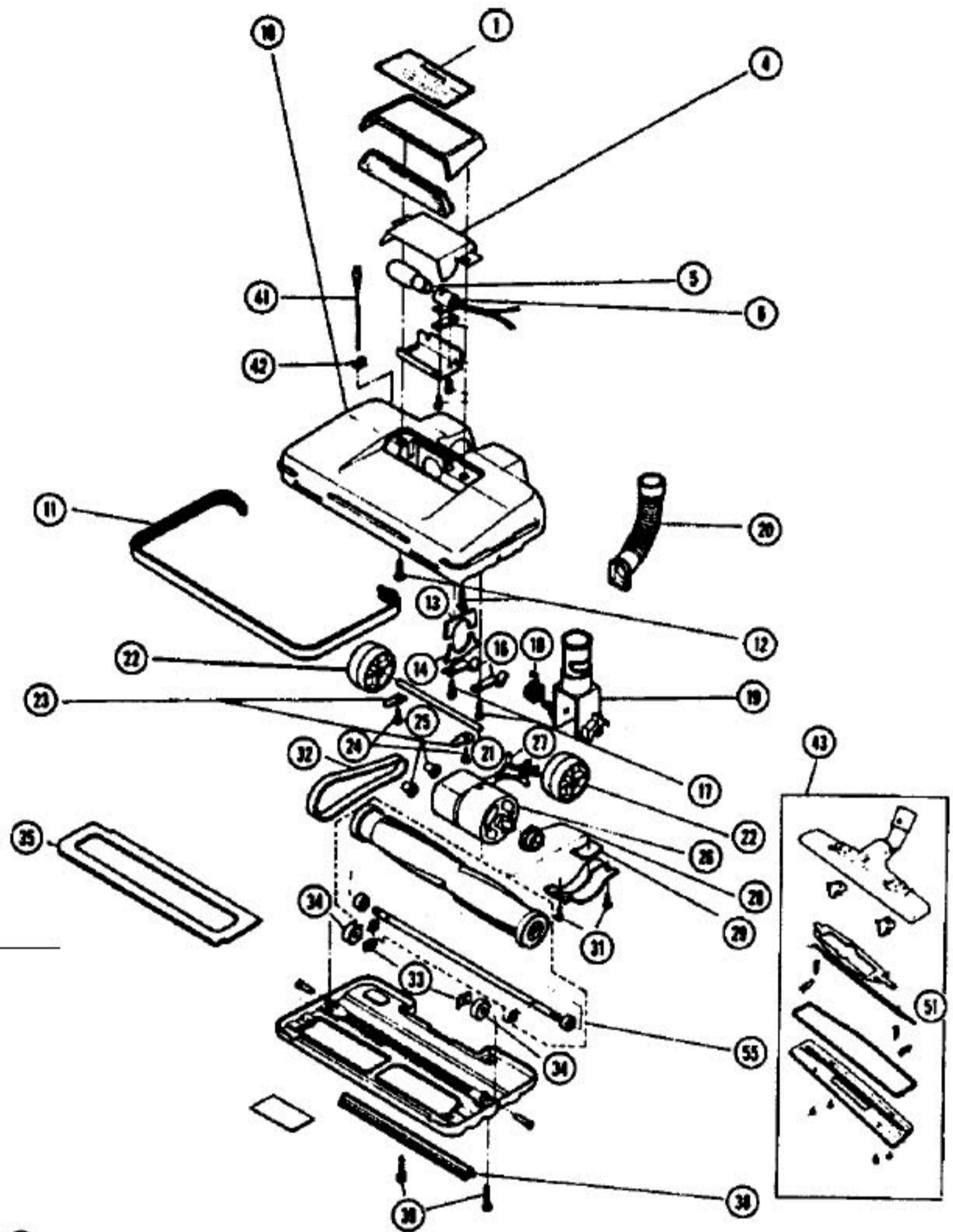
MC-771, MC-881



Models: MC-771, MC-772, MC-872, MC-881, MC-883

Power Head Unit

- 1 N/A Name Plate, 883
- 4 P-221 Window Reflector, 883
- 5 MP-25K Bulb, 25 watt, 883 (R)
- 6 N/A Lamp Holder, 883
- 10 N/A Nozzle Body
- 11 N/A Furniture Guard
- 12 P-416 Screw, 10 pack
- 13 P-810 Gasket, upper agit w/o clip
- 14 P-050 Agitator Holder, lower, w/ metal clip
- 16 P-520 Retaining Spring, power nozzle neck
- 17 P-20 Screw
- 18 P-790 Torsion Spring, power nozzle neck
- 19 P-780 Power Nozzle Elbow, (neck)
- 20 P-3401 Short Hose, p/n elbow
- 21 P-160 Wheel Axle Shaft
- 22 P-1001 Rear Wheel
- 23 P-08 Clamp, wheel shaft
- 24 P-430 Screw, sold each
- 25 N/A Motor Support, front, rubber
- 26 P-1101 Power Nozzle Motor
- 27 SS-71B Wire Nuts, 100 pack (R)
- 28 P-03 Motor Support, rear, rubber
- 29 P-380 Motor Support, upper, rubber
- 31 P-430 Screw, sold each
- 32 P-280 Belt, type CB, 2 pack
- 33 P-04 Spring Nut
- 34 P-909 Wheel, front
- 35 P-190 Gasket, bottom plate
- 38 P-101 Rubber, power nozzle
- 39 N/A Screw
- 41 P-394 Cord, male plug / stripped end (R)
- 42 SS-34 Cord Lock, sold each (R)
- 43 P-992 Rug Nozzle Assembly
- 51 P-382 Brush Strip, rug nozzle
- 55 P-920 Agitator Assembly, complete



Agitator Assembly

- P-920 Agitator, complete
- 1 P-410 End Cover, rubber
- 2 P-970 End Cap
- 3 P-31 Screw
- 4 P-540 End Plate
- 5 P-300 Filter
- 6 P-857 Brush Strip
- 7 P-840 Agitator Shell
- 8 P-350 Agitator Bearing
- 9 P-05 E-Clip, 30 pk
- 10 P-570 Shaft, agitator
- 11 P-600 Pulley, metal cover
- 12 P-290 Pulley, plastic
- 13 P-3340 Spacer, pulley end