

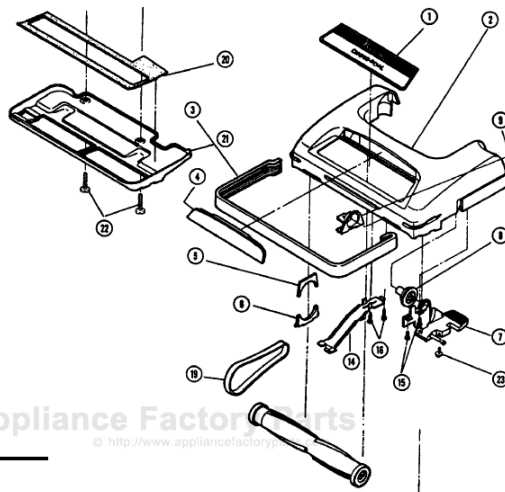
This Owner's Manual is provided and hosted by [Appliance Factory Parts](#).



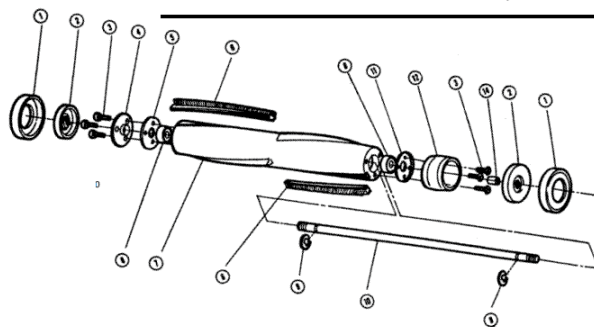
PANASONIC 5510 Owner's Manual

[Shop genuine replacement parts for PANASONIC 5510](#)

Body Unit



Agitator Assembly



[Find Your PANASONIC Vacuum Cleaner Parts - Select From 605 Models](#)

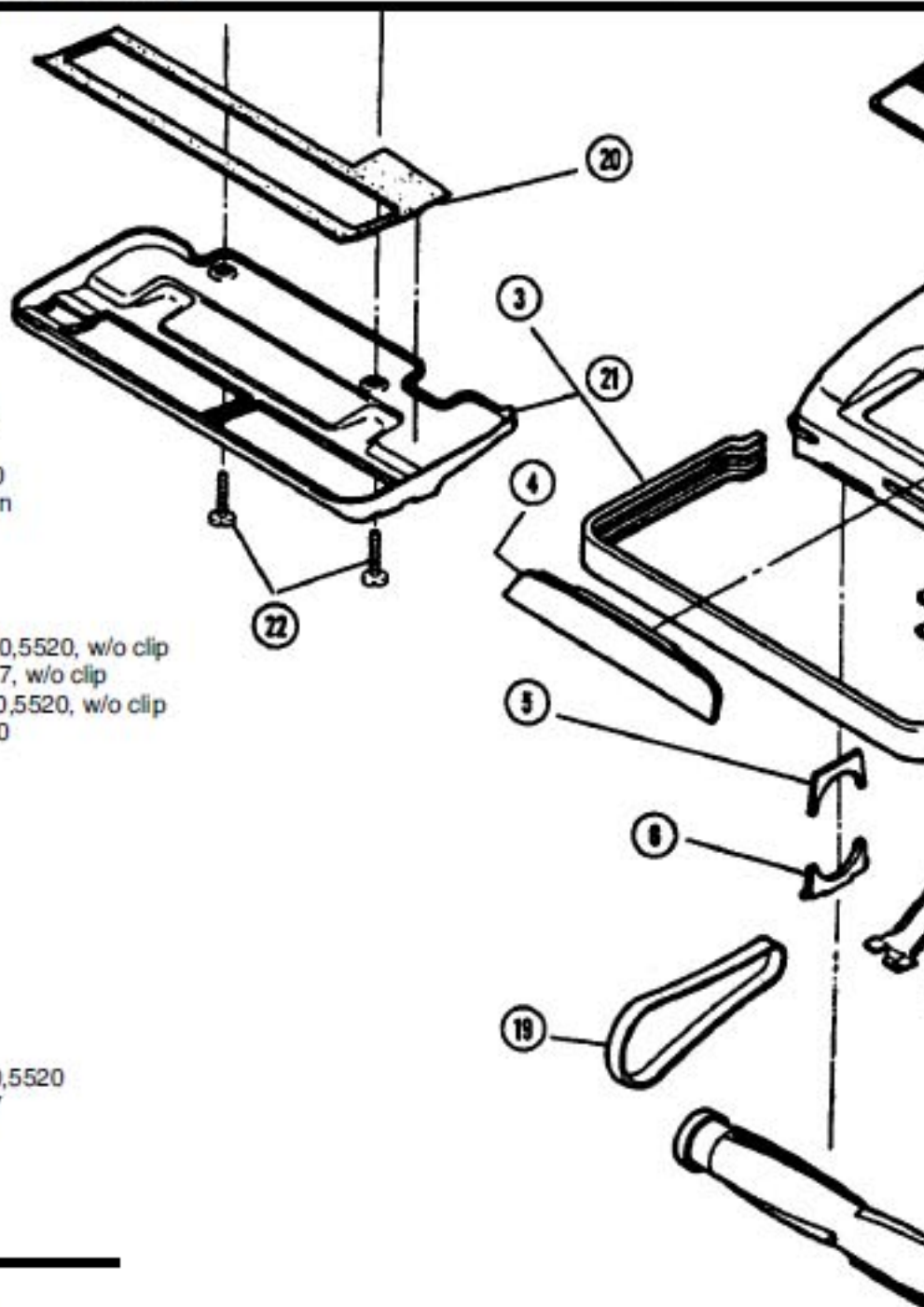
----- Manual continues below -----

PANASONIC

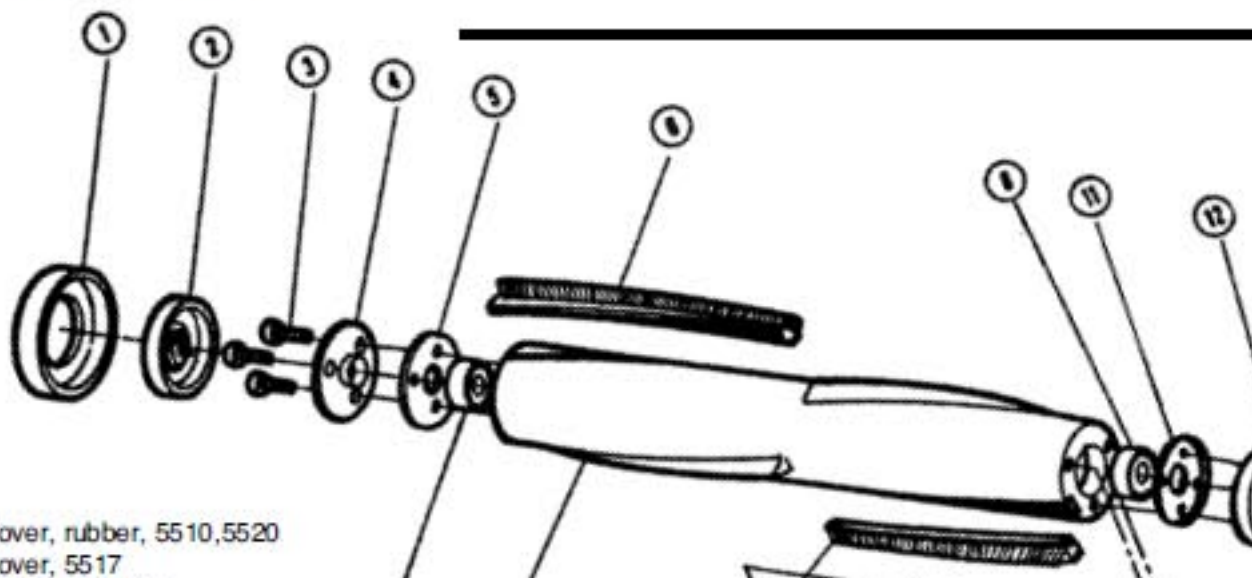
Models: MC-5510, MC-5517, MC-5520

Body Unit

A1	P-21	Top Mark, 5510,5520
A1	P-00200	Top Mark, 5517
A2	N/A	Nozzle Housing, red, 5510
A2	P-01040	Nozzle Housing, 5517
A2	N/A	Nozzle Housing, grey, 5520
A3	P-107	Furniture Guard, dark brown
A3	P-10704	Furniture Guard, 5517
A4	P-217	Cover, lens, 5510
A4	P-21704	Cover, lens, 5517
A4	P-2170	Cover, lens, grey, 5520
A5	P-005	Agitator Holder, upper, 5510,5520, w/o clip
A5	P-005	Agitator Holder, upper, 5517, w/o clip
A6	P-050	Agitator Holder, lower, 5510,5520, w/o clip
A7	P-807	Pedal Assembly, 5510,5520
A7	P-80700	Pedal Assembly, 5517
A8	P-257	Bearing, plastic holder
A9	P-787	Bearing, metal holder
A14	P-4300	Belt Cover
A15	P-46	Screw, for frame
A16	P-46	Screw, for bearing
A19	P-2287	Belt, 2 pack
A19	P-200	Belt, sold each (R)
A20	P-197	Body Packing, gasket
A21	P-277	Base Plate, 5510,5520
A21	P-27700	Base Plate, 5517
A22	P-20	Screw, for base plate, 5510,5520
A22	P-68000	Screw, for base plate, 5517
A23	P-516	Screw, long foot pedal



Agitator Assembly

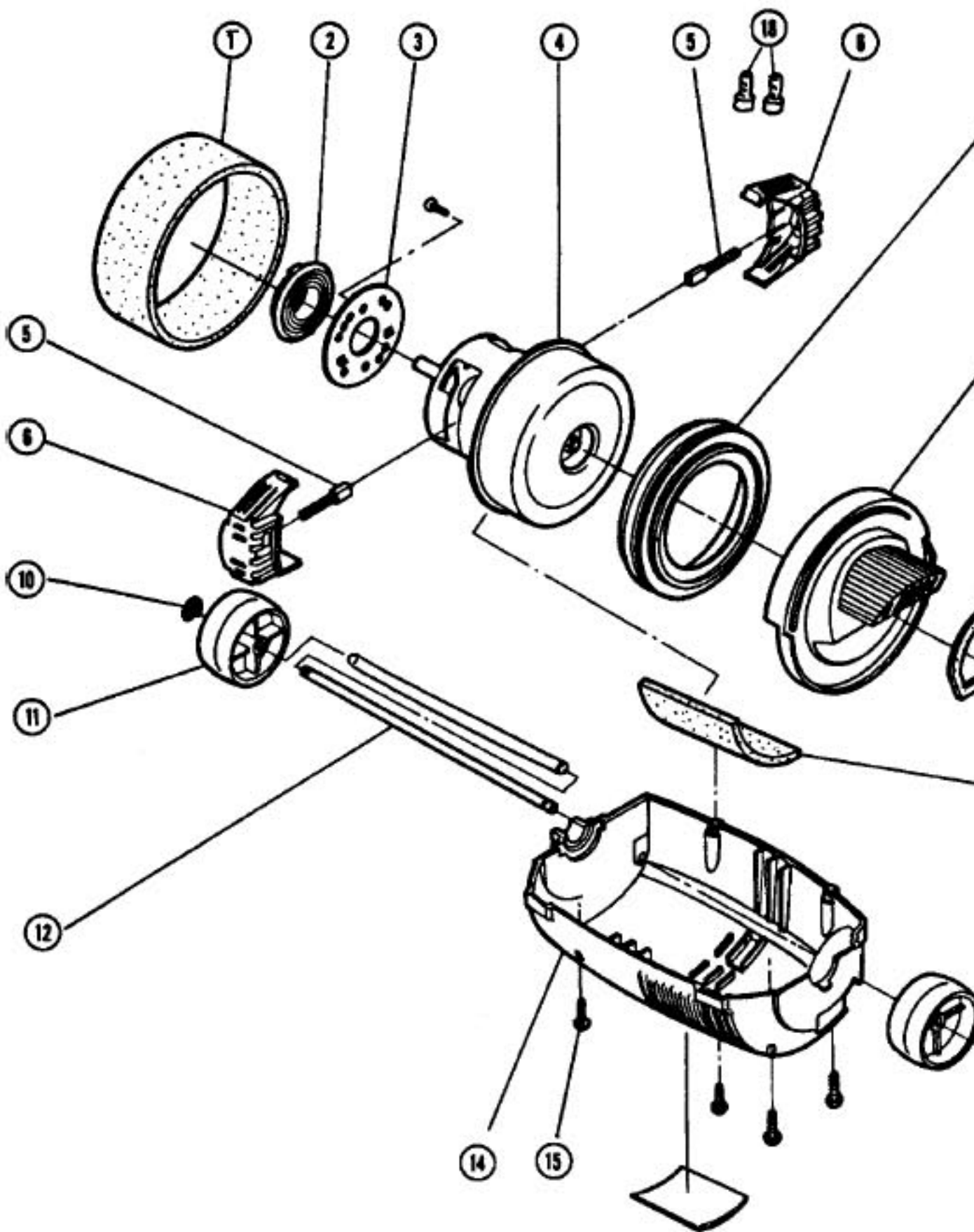


B1	P-41000	End Cover, rubber, 5510,5520
B1	P-41000	End Cover, 5517

PANASONIC

Models: MC-5510, MC-5517, MC-5520

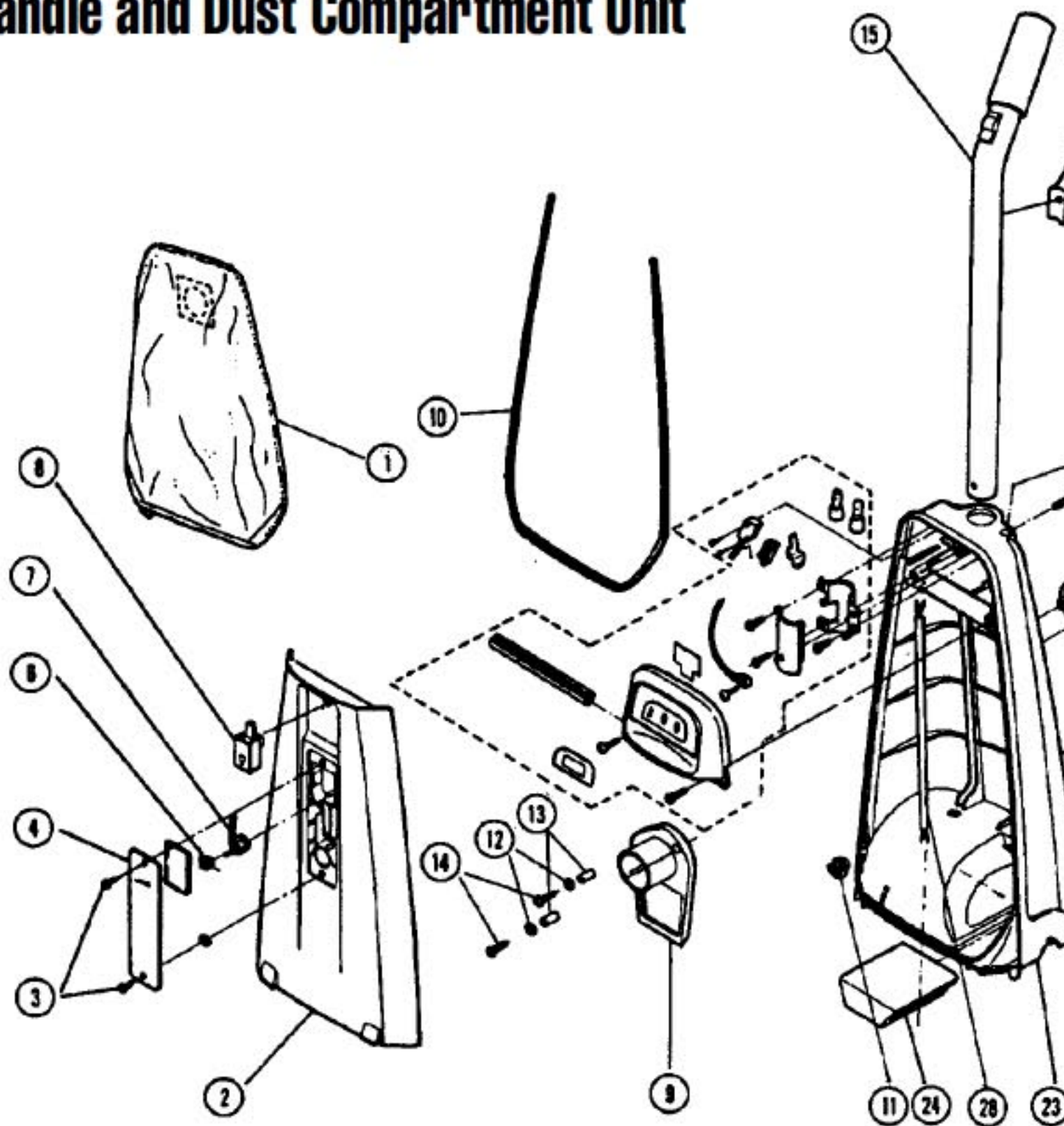
Motor Housing Unit



PANASONIC

Models: MC-5510, MC-5517, MC-5520

Handle and Dust Compartment Unit



D1 P-9923 Cloth Bag, w/ slide, 5510,5520
D1 P-9923 Cloth Bag, w/ slide, 5517
P-232 Slide, cloth bag, 5517
D1 P-55 Cloth Bag, w/ slide, red (R)
D1 P-115P Paper Bag, type "U", 3 pack
D1 P-115PT Paper Bag, type "U", 12 pack
D1 253 Paper Bag, type "U", 3 pack (R)
D1 253-12 Paper Bag, type "U", 12 pack (R)

D8 P-00170 Knob, 5517
D9 N/A Bag Support, 5510,5520
D9 P-01030 Bag Support, 5517
D10 .. P-747 Packing, dust box
D11 .. SS-34 Cord Lock, sold each (R)
D12 .. P-587 Washer, bag support
D13 .. NLA Spacer
D14 .. P-418 Screw, suction inlet, 5510,5520

D22 .. N/A
D22 .. P-347
D23 .. N/A
D23 .. P-401
D23 .. P-407
D24 .. P-307
D24 .. P-307
D26 .. P-247

PANASONIC

Models: MC-5510, MC-5517, MC-5520

Power Switch Unit

