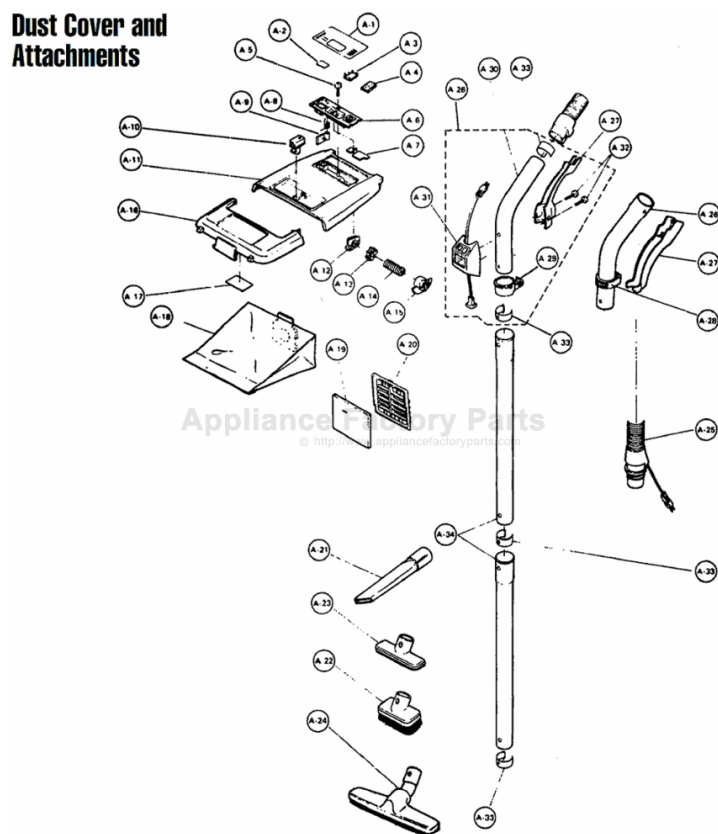


This Owner's Manual is provided and hosted by [Appliance Factory Parts](http://Appliance Factory Parts).



# PANASONIC 9410 Owner's Manual

[Shop genuine replacement parts for PANASONIC 9410](#)



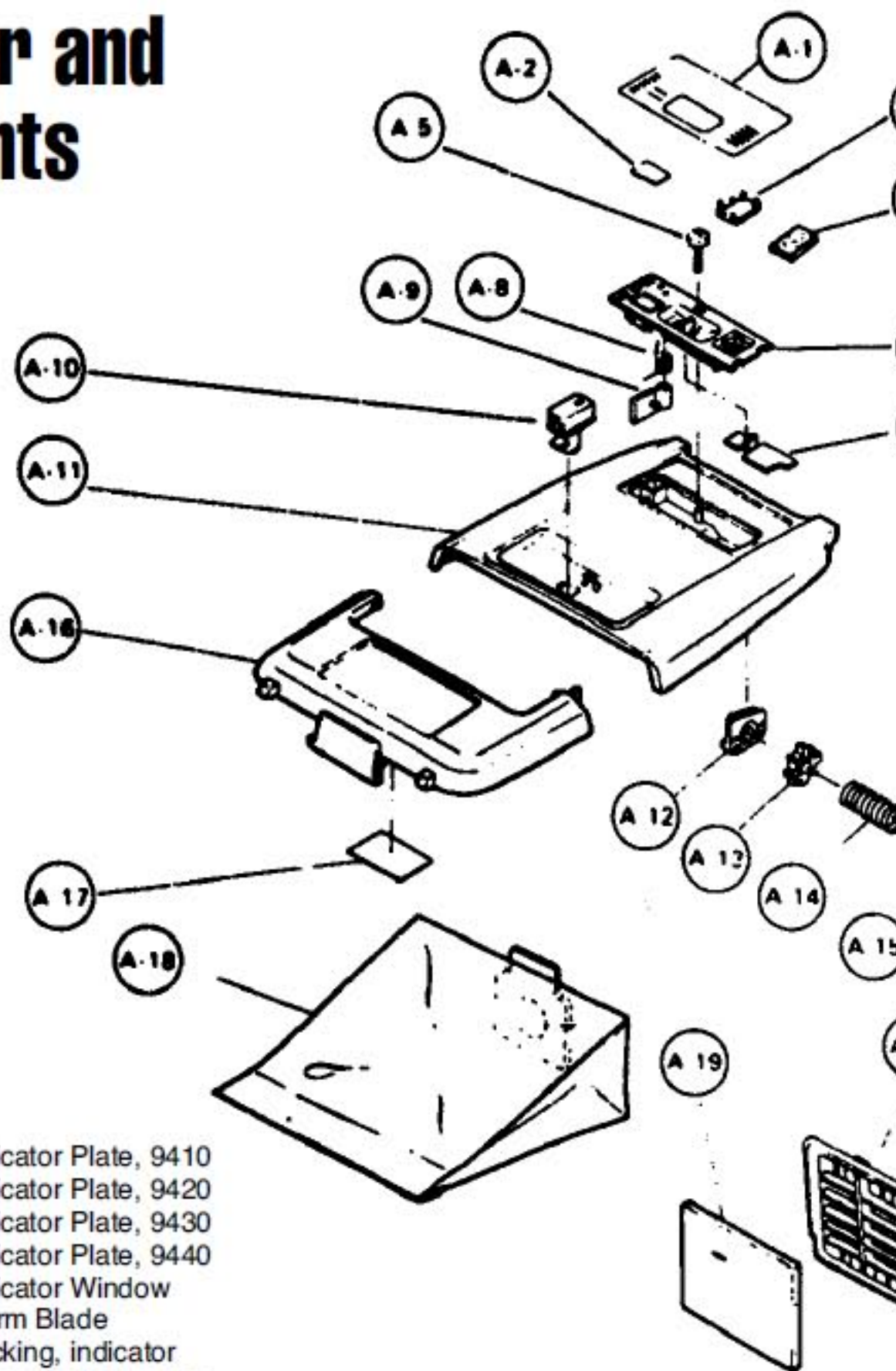
[Find Your PANASONIC Vacuum Cleaner Parts - Select From 605 Models](#)

----- Manual continues below -----

# PANASONIC

Models: MC-9410, MC-9420, MC-9430, MC-9440

## Dust Cover and Attachments



- |    |       |         |       |                       |
|----|-------|---------|-------|-----------------------|
| A1 | ..... | P-12429 | ..... | Indicator Plate, 9410 |
| A1 | ..... | P-12430 | ..... | Indicator Plate, 9420 |
| A1 | ..... | P-12431 | ..... | Indicator Plate, 9430 |
| A1 | ..... | P-12432 | ..... | Indicator Plate, 9440 |
| A2 | ..... | P-12433 | ..... | Indicator Window      |
| A3 | ..... | P-4340  | ..... | Alarm Blade           |
| A4 | ..... | P-12434 | ..... | Packing, indicator    |
| A5 | ..... | P-13143 | ..... | Screw, indicator box  |
| A6 | ..... | P-12436 | ..... | Indicator Box         |
| A7 | ..... | P-12437 | ..... | Indicator Stopper     |
| A8 | ..... | P-12438 | ..... | Spring, indicator     |

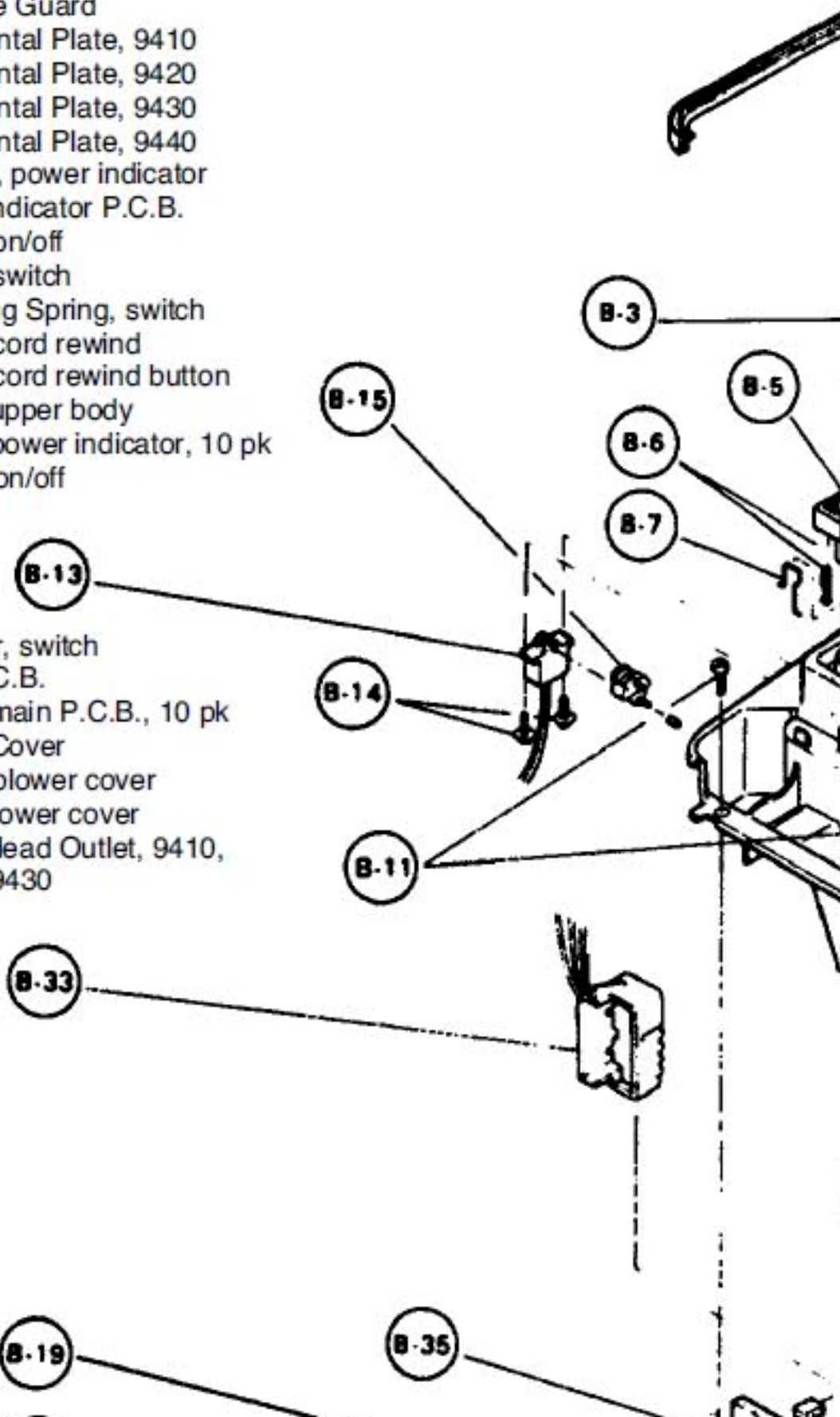
# PANASONIC

Models: MC-9410, MC-9420, MC-9430, MC-9440

## Body Unit

B1	.....	P-12456	.....	Furniture Guard
B2	.....	P-12457	.....	Ornamental Plate, 9410
B2	.....	P-12458	.....	Ornamental Plate, 9420
B2	.....	P-12459	.....	Ornamental Plate, 9430
B2	.....	P-12460	.....	Ornamental Plate, 9440
B3	.....	P-12461	.....	Window, power indicator
B4	.....	P-12462	.....	Power Indicator P.C.B.
B5	.....	N/A	.....	Button, on/off
B6	.....	P-082	.....	Spring, switch
B7	.....	P-152	.....	Activating Spring, switch
B8	.....	P-12464	.....	Button, cord rewind
B9	.....	P-872	.....	Spring, cord rewind button
B11	.....	N/A	.....	Screw, upper body
B12	.....	P-416	.....	Screw, power indicator, 10 pk
B13	.....	P-9822	.....	Switch, on/off
B14	.....	P-3874	.....	Screw

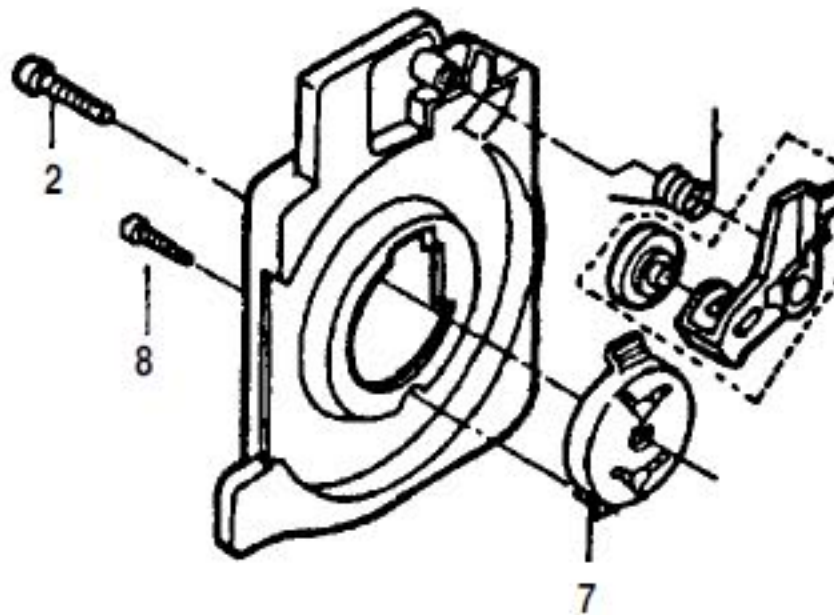
B15	.....	P-9320	.....	Indicator, switch
B17	.....	P-12467	.....	Main P.C.B.
B18	.....	P-416	.....	Screw, main P.C.B., 10 pk
B19	.....	P-282	.....	Blower Cover
B20	.....	P-12468	.....	Spring, blower cover
B21	.....	P-12469	.....	Shaft, blower cover
B22	.....	P-632	.....	Power Head Outlet, 9410, 9420,9430



# PANASONIC

Models: MC-9410, MC-9420, MC-9430, MC-9440

## Cord Reel Unit



- C1 ..... N/A ..... Cord Reel Assembly
- C2 ..... P-416 ..... Screw, cord reel shaft, 10 pk
- C3 ..... P-12399 ..... Rail Base Unit / Power Cord
- C7 ..... P-12398 ..... Contact Base
- C8 ..... P-416 ..... Screw, contact base, 10 pack

## Motor Assembly

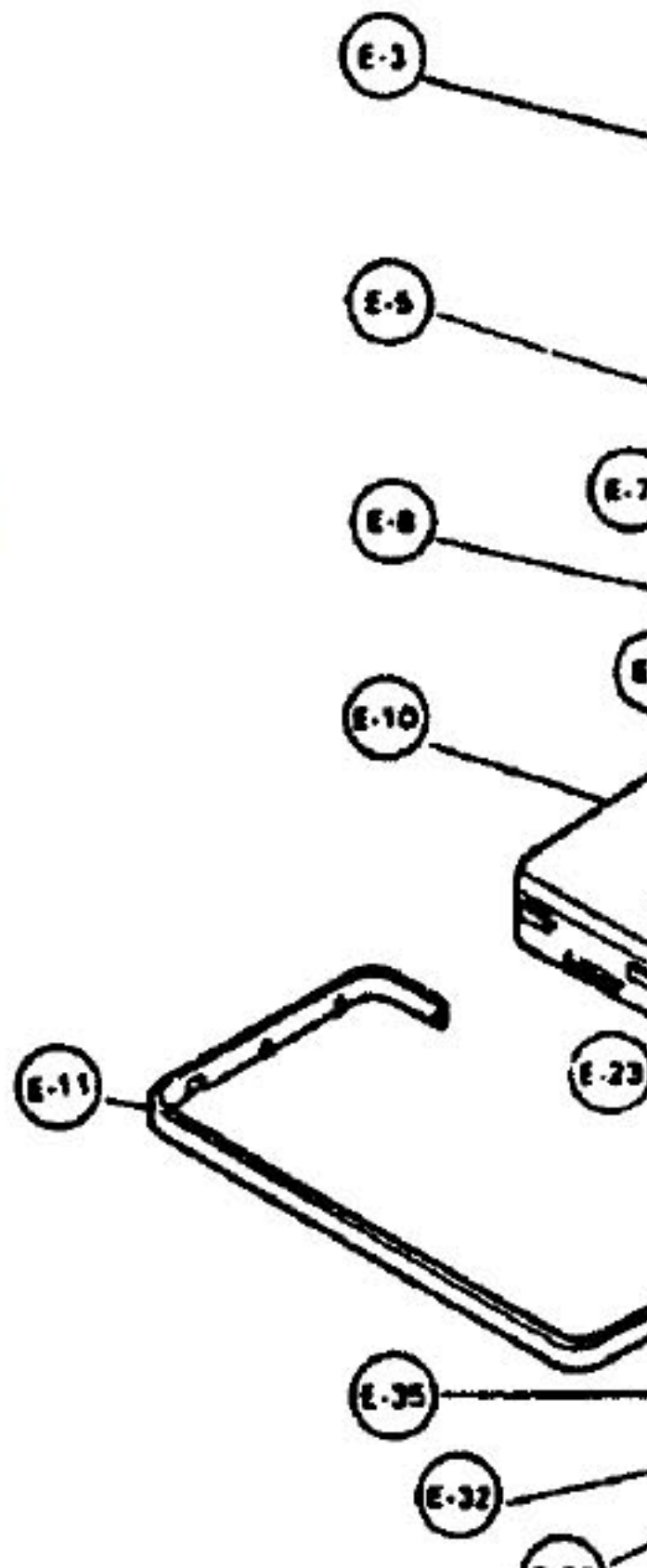


# PANASONIC

Models: MC-9410, MC-9420, MC-9430, MC-9440

## Power Nozzle

E1	P-12499	Front Mark, 9410
E1	N/A	Front Mark, 9420
E1	P-12501	Front Mark, 9430
E1	P-12502	Front Mark, 9440
E2	P-12503	Supporter, window
E3	P-12504	Window
E4	P-221	Reflector, window
E5	MP-25K	Bulb, 25 watt (R)
E6	N/A	Lamp Holder
E7	P-12505	Packing, window
E8	P-12506	Partition Board
E9	P-12507	Screw, partition board
E10	P-12508	Body, 9410,9420
E10	P-12509	Body, 9430,9440
E11	P-12510	Furniture Guard
E12	P-394	Power Cord, 9410,9420,9430
E12	P-12512	Power Cord, 9440
E13	SS-34	Bushing, sold each (R)
E14	P-12514	Pedal
E15	N/A	Switch Pedal
E16	P-082	Spring, switch pedal
E17	N/A	Switch, on/off
E18	P-9320	Indicator, switch
E19	P-04	Push Nut
E20	P-152	Activating Spring, switch
E21	P-12414	Filter
E22	N/A	Switch Cover
E23	P-416	Screw, 10 pack
E25	P-12520	Window, indicator
E26	P-813	Tight Packing
E27	P-3401	Connection Hose
E28	P-780	Pipe Connection
E29	P-12428	Screw, bottom cover
E30	P-520	Holding Spring, pipe
E31	N/A	Screw, pipe holding spring
E32	P-160	Shaft, roller
E33	P-08	Stopper, roller shaft
E34	P-430	Screw, roller shaft stopper
E35	P-1001	Roller
E36	P-12415	Motor Assembly
E37	P-03	Motor Support, rubber, rear
E38	P-12525	Motor Support, rubber, upper



# PANASONIC

Models: MC-9410, MC-9420, MC-9430, MC-9440

## Agitator Assembly

