

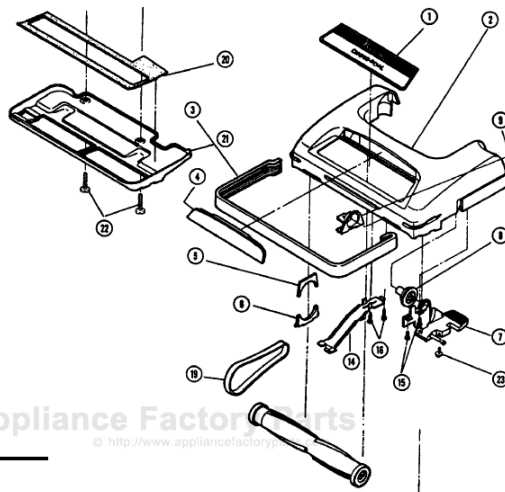
This Owner's Manual is provided and hosted by [Appliance Factory Parts](#).



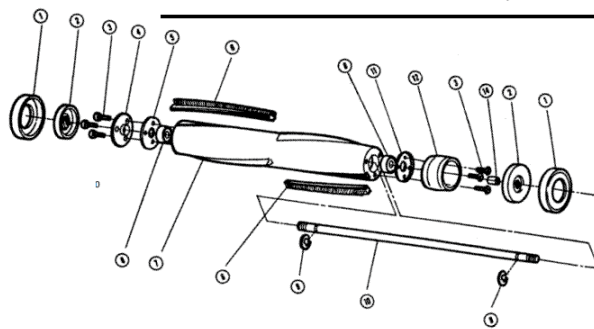
# PANASONIC 5517 Owner's Manual

[Shop genuine replacement parts for PANASONIC 5517](#)

**Body Unit**



**Agitator Assembly**



[Find Your PANASONIC Vacuum Cleaner Parts - Select From 605 Models](#)

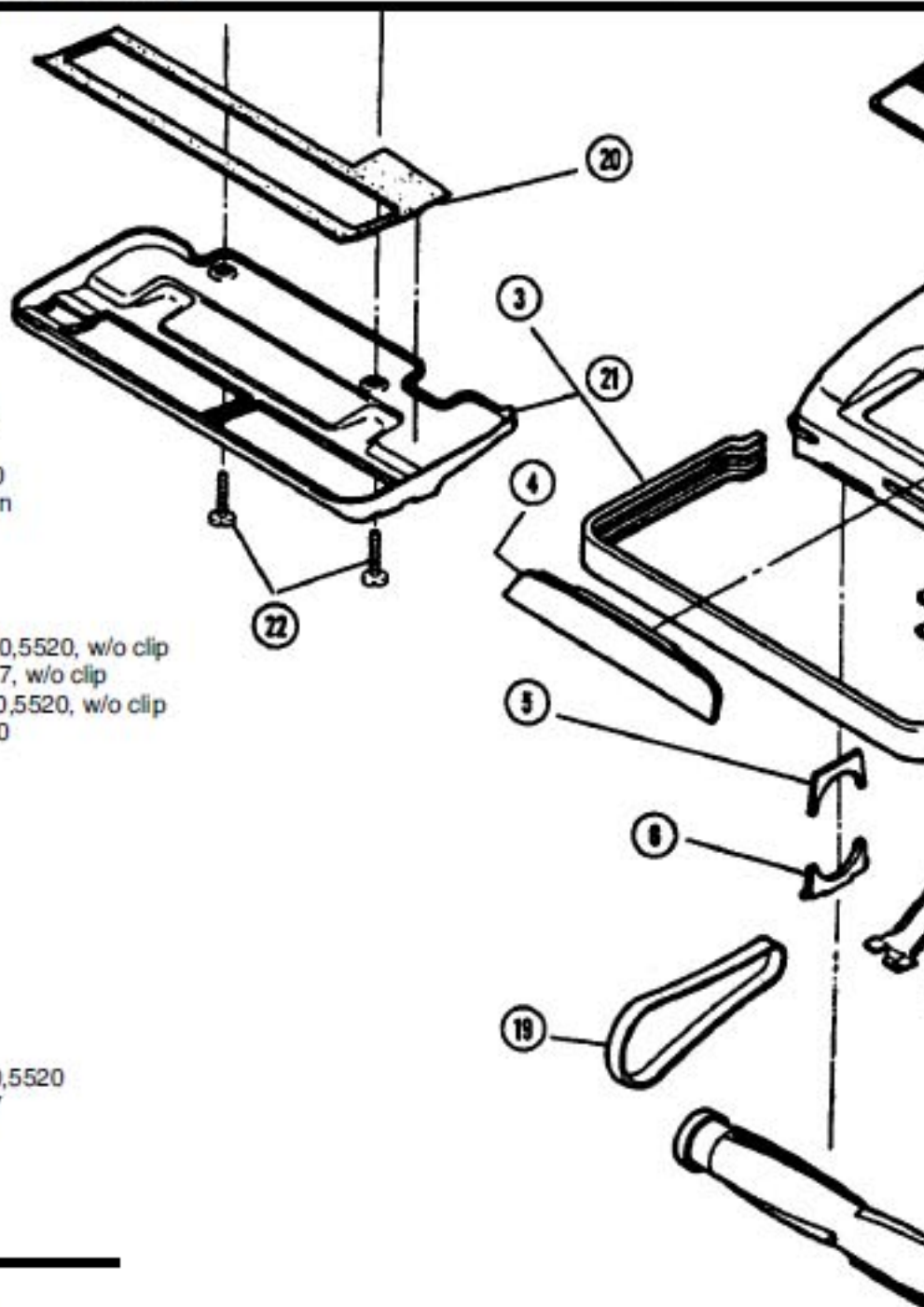
----- Manual continues below -----

# PANASONIC

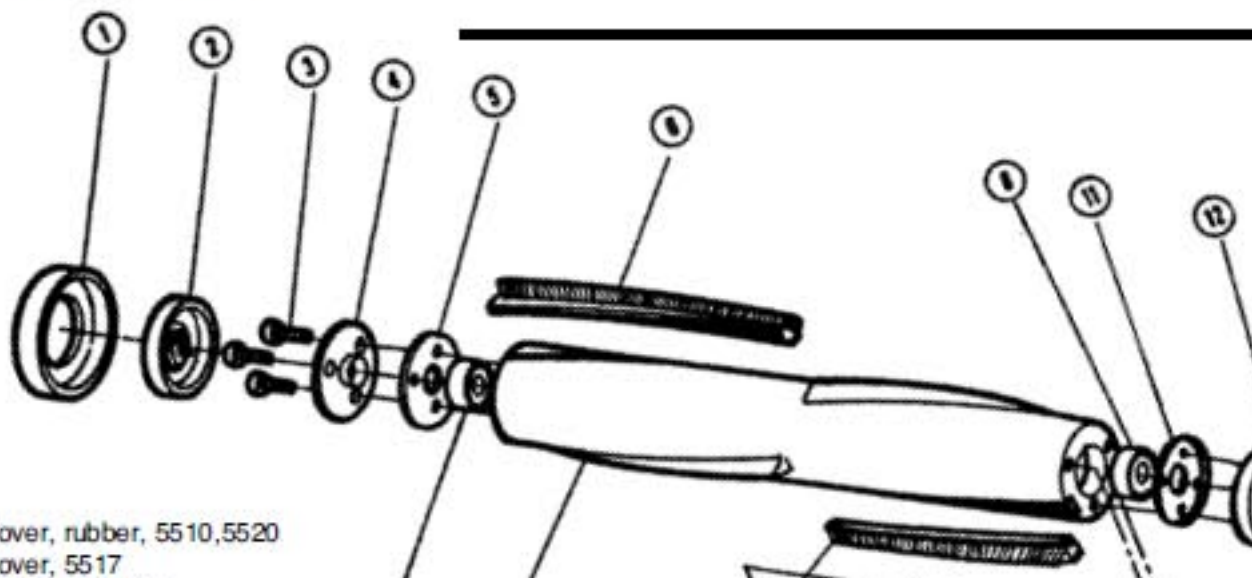
Models: MC-5510, MC-5517, MC-5520

## Body Unit

- |     |         |   |
|-----|---------|---|
| A1  | P-21    | Top Mark, 5510,5520                         |
| A1  | P-00200 | Top Mark, 5517                              |
| A2  | N/A     | Nozzle Housing, red, 5510                   |
| A2  | P-01040 | Nozzle Housing, 5517                        |
| A2  | N/A     | Nozzle Housing, grey, 5520                  |
| A3  | P-107   | Furniture Guard, dark brown                 |
| A3  | P-10704 | Furniture Guard, 5517                       |
| A4  | P-217   | Cover, lens, 5510                           |
| A4  | P-21704 | Cover, lens, 5517                           |
| A4  | P-2170  | Cover, lens, grey, 5520                     |
| A5  | P-005   | Agitator Holder, upper, 5510,5520, w/o clip |
| A5  | P-005   | Agitator Holder, upper, 5517, w/o clip      |
| A6  | P-050   | Agitator Holder, lower, 5510,5520, w/o clip |
| A7  | P-807   | Pedal Assembly, 5510,5520                   |
| A7  | P-80700 | Pedal Assembly, 5517                        |
| A8  | P-257   | Bearing, plastic holder                     |
| A9  | P-787   | Bearing, metal holder                       |
| A14 | P-4300  | Belt Cover                                  |
| A15 | P-46    | Screw, for frame                            |
| A16 | P-46    | Screw, for bearing                          |
| A19 | P-2287  | Belt, 2 pack                                |
| A19 | P-200   | Belt, sold each (R)                         |
| A20 | P-197   | Body Packing, gasket                        |
| A21 | P-277   | Base Plate, 5510,5520                       |
| A21 | P-27700 | Base Plate, 5517                            |
| A22 | P-20    | Screw, for base plate, 5510,5520            |
| A22 | P-68000 | Screw, for base plate, 5517                 |
| A23 | P-516   | Screw, long foot pedal                      |



## Agitator Assembly

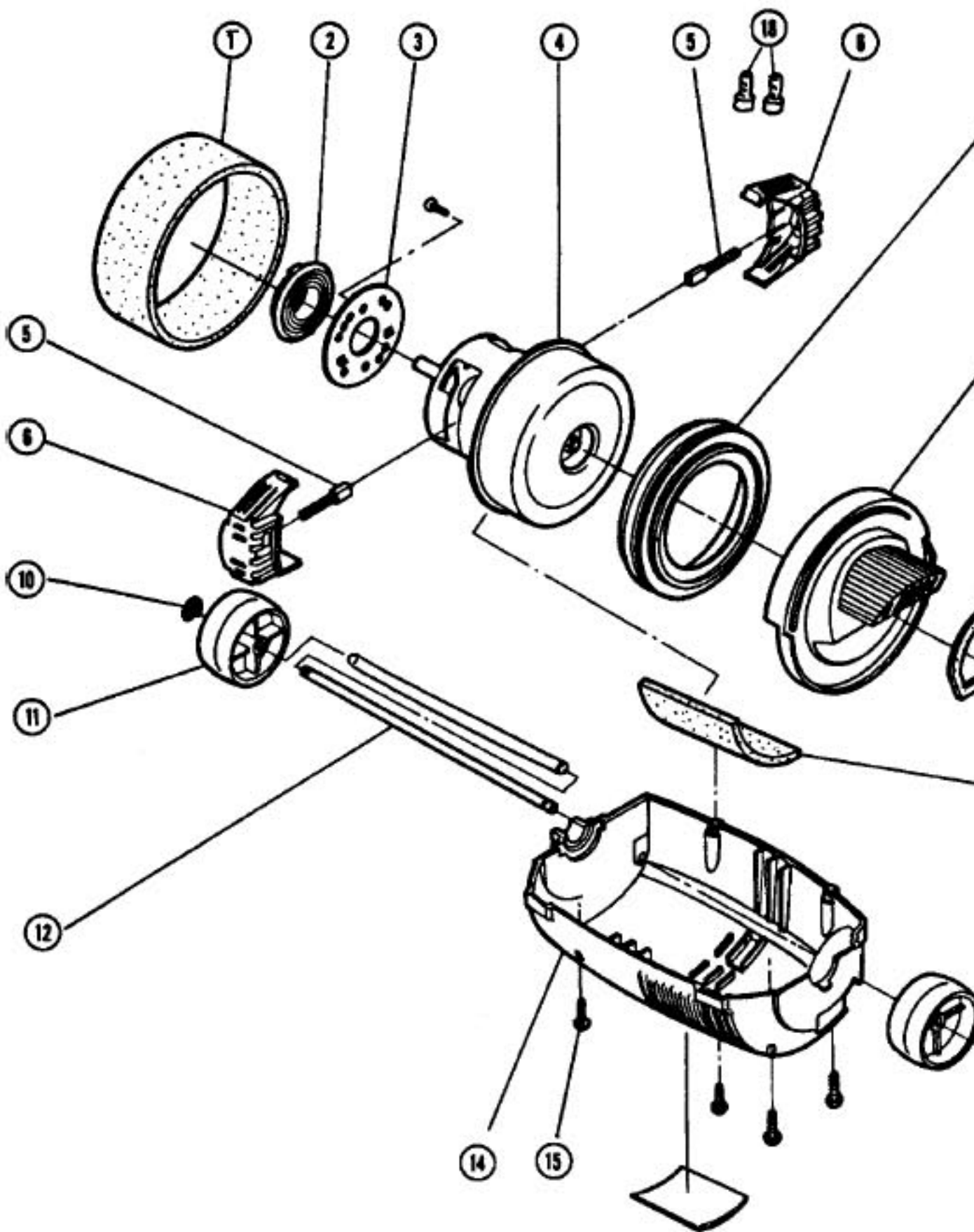


- |    |         |                              |
|----|---------|------------------------------|
| B1 | P-41000 | End Cover, rubber, 5510,5520 |
| B1 | P-41000 | End Cover, 5517              |

# PANASONIC

Models: MC-5510, MC-5517, MC-5520

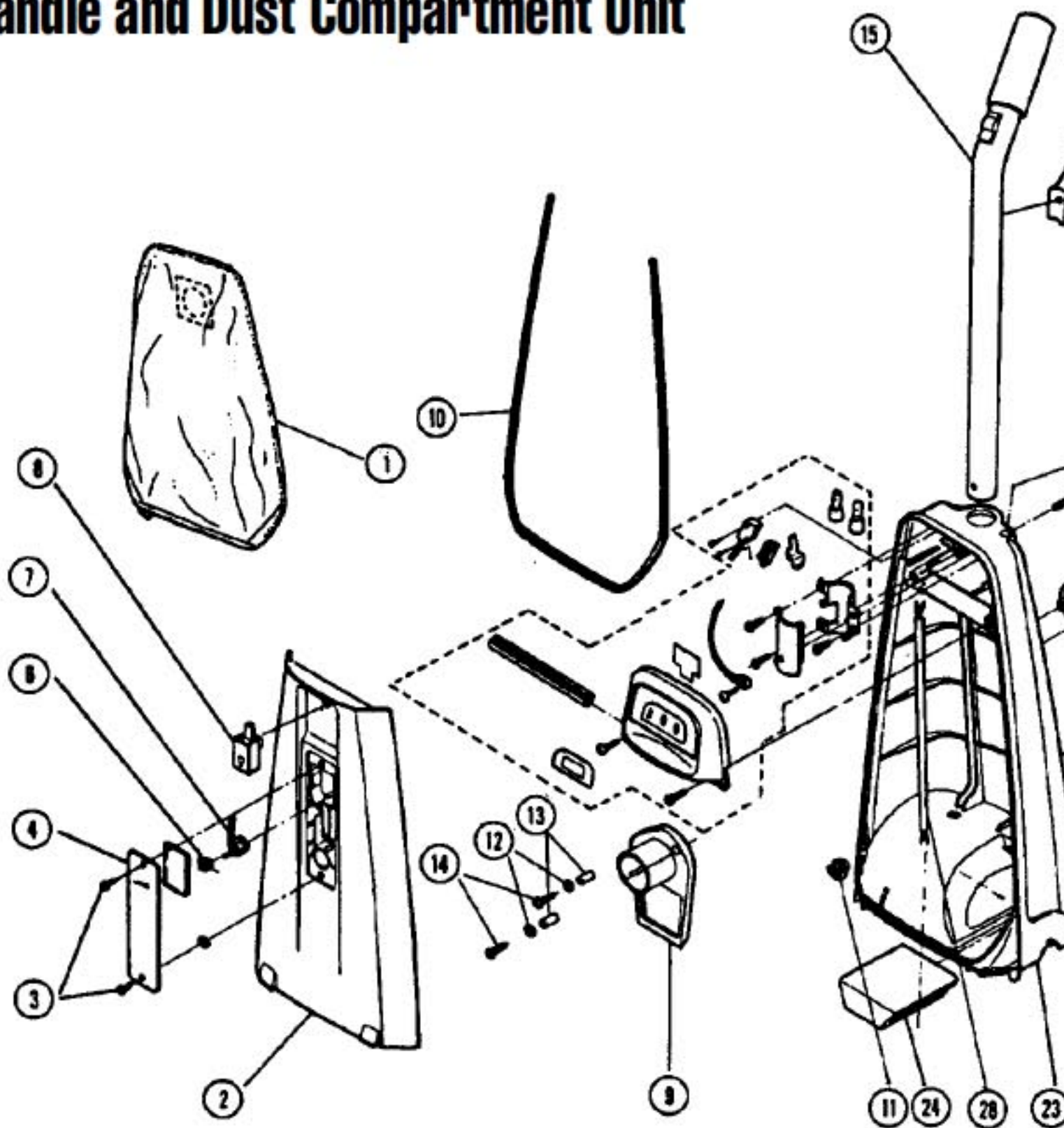
## Motor Housing Unit



# PANASONIC

Models: MC-5510, MC-5517, MC-5520

## Handle and Dust Compartment Unit



D1 .... P-9923 ..... Cloth Bag, w/ slide, 5510,5520  
D1 .... P-9923 ..... Cloth Bag, w/ slide, 5517  
P-232 ..... Slide, cloth bag, 5517  
D1 .... P-55 ..... Cloth Bag, w/ slide, red (R)  
D1 .... P-115P ..... Paper Bag, type "U", 3 pack  
D1 .... P-115PT ..... Paper Bag, type "U", 12 pack  
D1 .... 253 ..... Paper Bag, type "U", 3 pack (R)  
D1 .... 253-12 ..... Paper Bag, type "U", 12 pack (R)

D8 .... P-00170 ..... Knob, 5517  
D9 .... N/A ..... Bag Support, 5510,5520  
D9 .... P-01030 ..... Bag Support, 5517  
D10 .. P-747 ..... Packing, dust box  
D11 .. SS-34 ..... Cord Lock, sold each (R)  
D12 .. P-587 ..... Washer, bag support  
D13 .. NLA ..... Spacer  
D14 .. P-418 ..... Screw, suction inlet, 5510,5520

D22 .. N/A .....  
D22 .. P-347 .....  
D23 .. N/A .....  
D23 .. P-401 .....  
D23 .. P-407 .....  
D24 .. P-307 .....  
D24 .. P-307 .....  
D26 .. P-247 .....

# PANASONIC

Models: MC-5510, MC-5517, MC-5520

## Power Switch Unit

