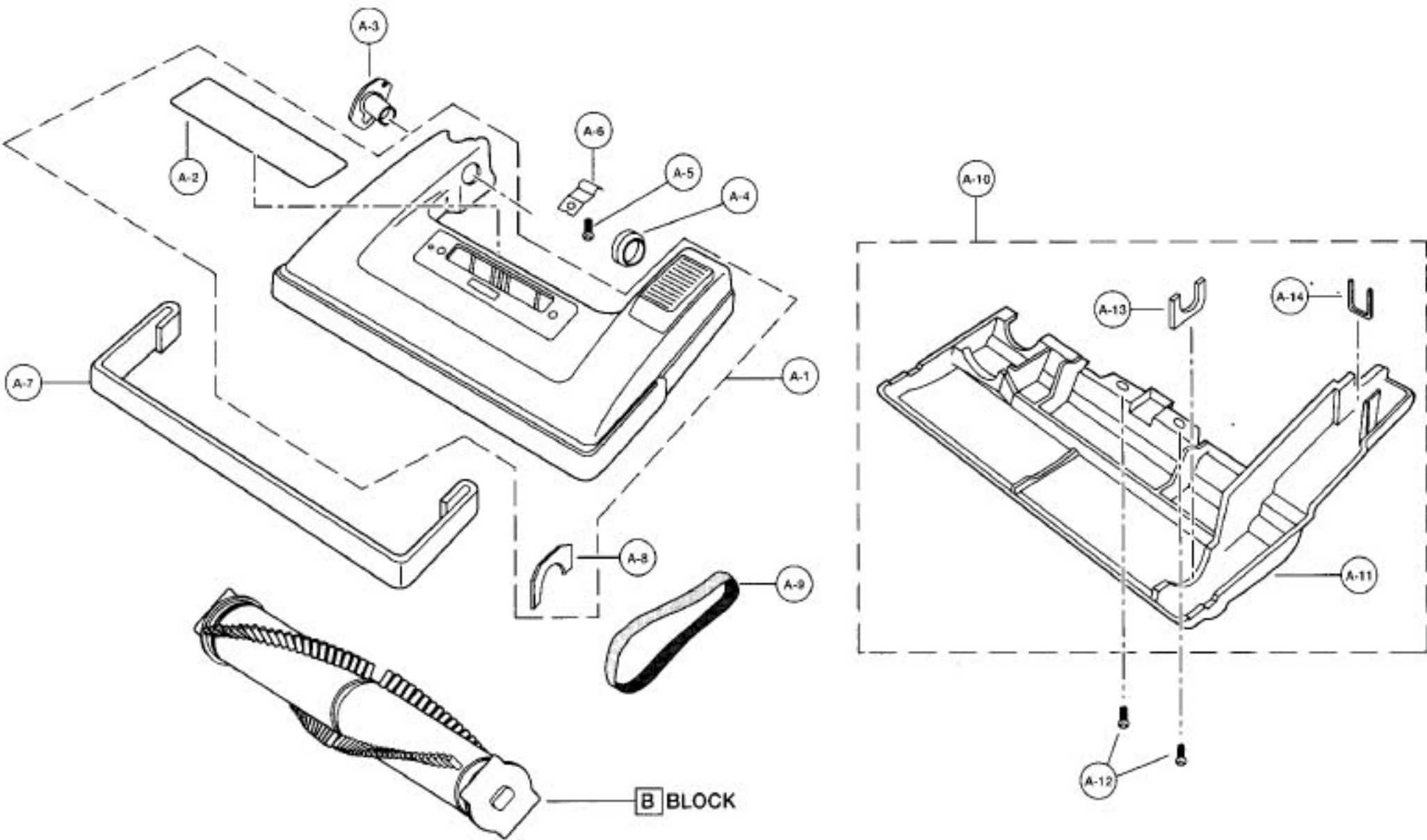


Models: MC-5501

Nozzle Housing

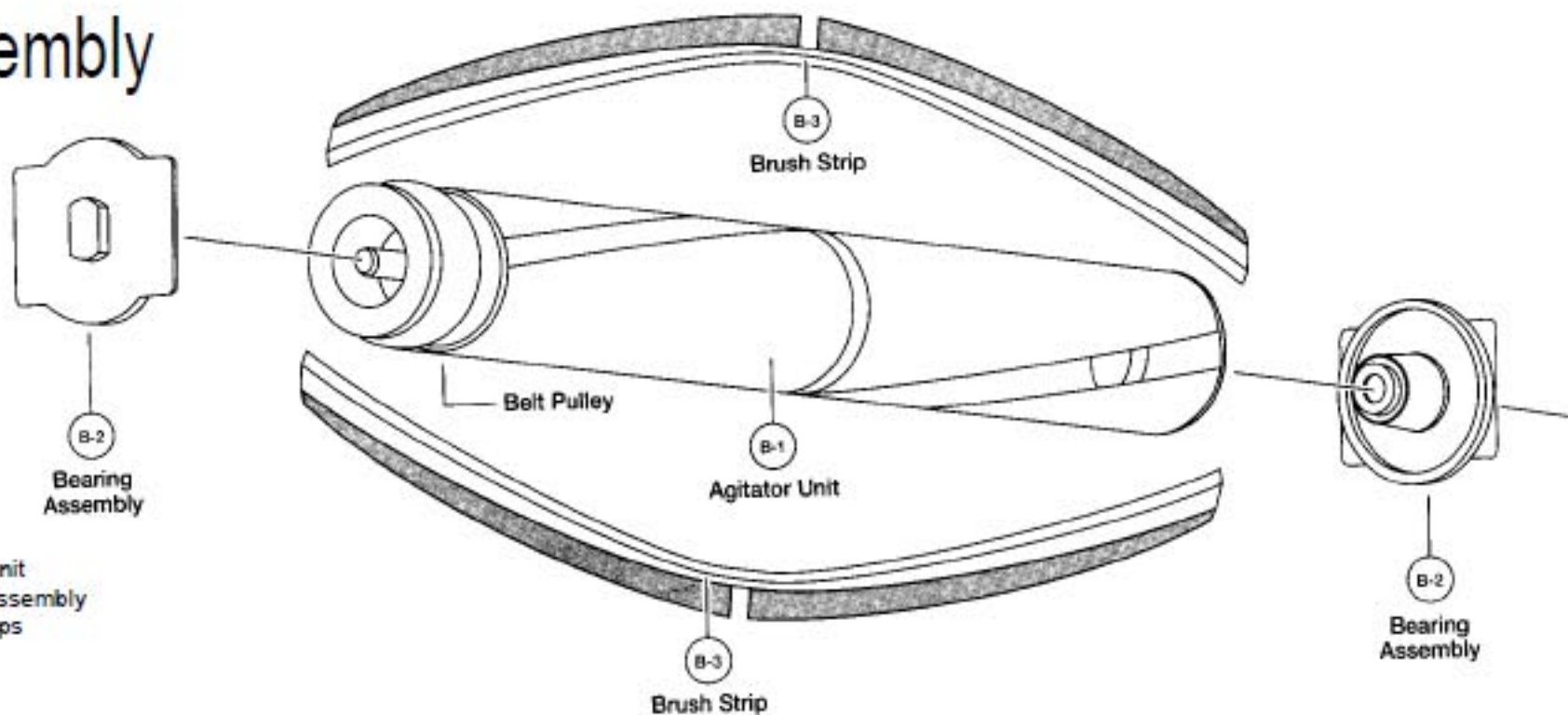


- 1.....P-000614..... Nozzle Housing
- 2.....P-000615..... Top Mark
- 3.....P-2500..... Plastic Shaft
- 4.....P-78..... Plastic Holder
- 5.....P-6140..... Screw

- 6.....P-58..... Pedal Spring
- 7.....P-000617..... Furniture Guard
- 8.....P-81..... Body Packing
- 9.....P-2287..... Belt, type UB, 2 pack
- 10...P-000618..... Lower Plate, complete

- 11...P-000619..... Lower Plate Only
- 12...P-000015..... Screw
- 13...P-7500..... Packing, lower plate
- 14...P-43..... Belt Cover

Agitator Assembly



- 1 P-000611..... Agitator Unit
- 2 P-000612..... Bearing Assembly
- 3 P-000613..... Brush Strips

Models: MC-5501

Motor Housing, Motor, Handle and Body

1	N/A	Dust Compartment
2	P-8913	On/Off Switch
3	P-62001	Cord Stopper
4	P-6140	Screw
5	P-000622	Power Cord
6	P-000623	Wire Nut
7	P-6601	Dust Box Packing
8	N/A	Switch Cover
9	P-73012	Switch Cover Packing
10	P-6140	Screw, switch cover
11	P-7301	Handle Screw
12	P-2117	Nut
13	P-3200	Filter Supporter
14	P-375	Secondary Filter
	P-9994	Secondary Filter, HEPA
15	P-0114	Roller
16	P-161	Roller Shaft
17	P-6115	Washer
18	P-000624	E-Clip
19	P-000699	Dust Bag, cloth
20	P-000625	Suction Inlet
21	P-8915	Cover
22	P-6140	Screw
23	P-000628	Motor Case
24	P-201	Rear Cover Packing
25	P-1912	Motor Case Packing
26	P-6140	Screw
27	P-692	Protector
28	P-000057	Protector Spring
29	P-000056	Protector Case
30	P-000058	Protector Supporter
31	P-000629	Fan Motor Unit
32	P-0035	Carbon Brush
33	P-0036	Brush Retainer Bracket
34	P-0037	Screw, brush
35	P-93033	Plastic Cover, motor
36	P-99300	Noise Suppressor
37	P-0293	Motor Support Rubber, front
38	P-9911	Motor Support, rear
39	P-000630	Wire Cord
40	P-000623	Wire Nut
41	P-333	Protector Filter
42	P-000631	Handle
43	P-50106	Handle Grip
44	P-000633	Upper Cord Storage Hook
45	N/A	Screw
46	P-000635	Dust Cover
47	P-000636	Ornamental Plate
48	P-34010	Nozzle Hose
49	P-232	Dust Bag, supporter
50	P-000610	Screw, ground