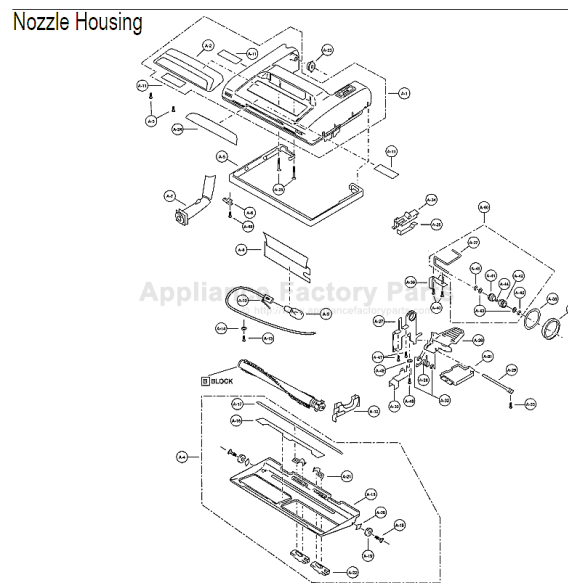


This Owner's Manual is provided and hosted by [Appliance Factory Parts](#).



# PANASONIC V6255 Owner's Manual

[Shop genuine replacement parts for PANASONIC  
V6255](#)

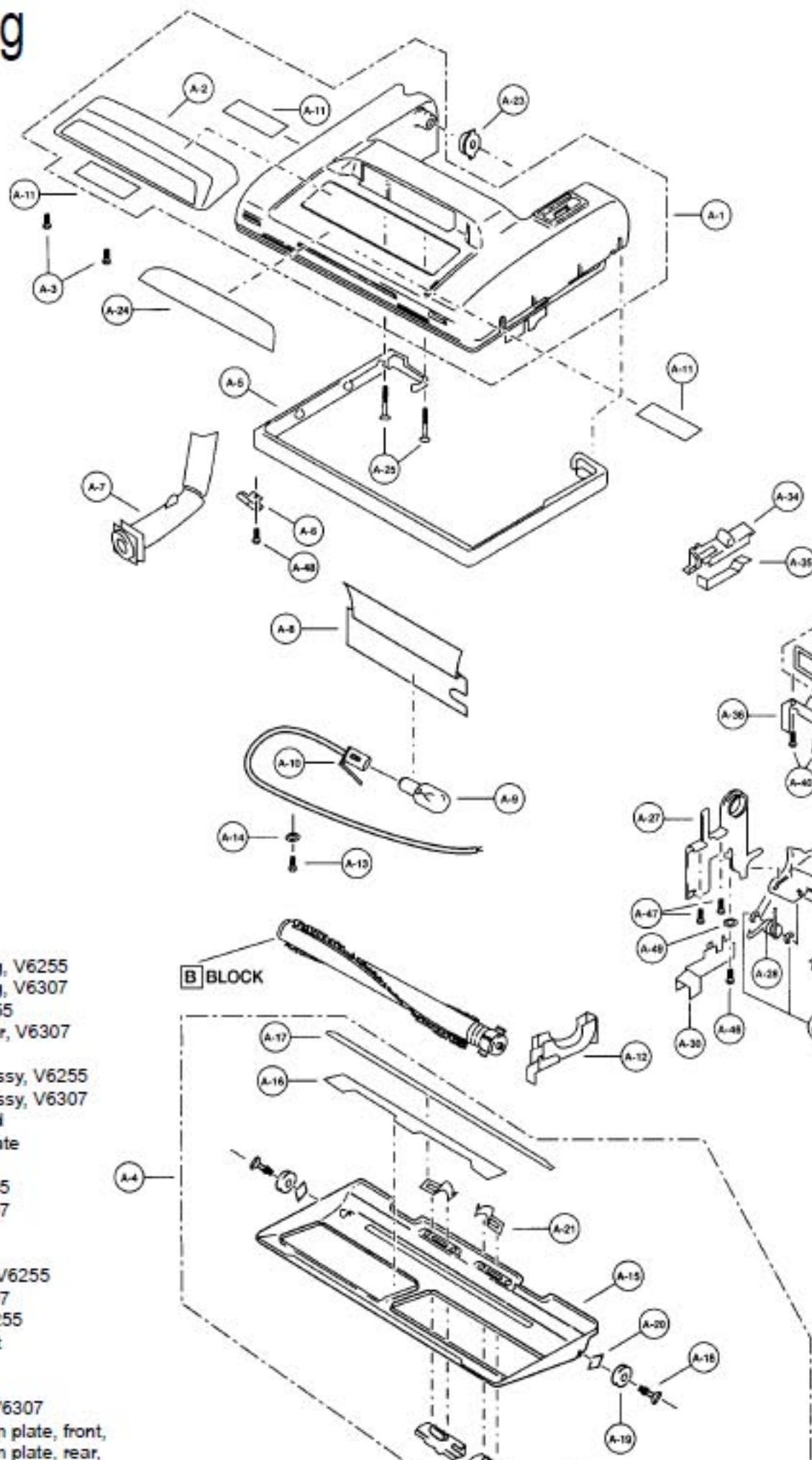


[Find Your PANASONIC Vacuum Cleaner Parts - Select From 605 Models](#)

----- Manual continues below -----

Models: MC-V6255, MC-V6307

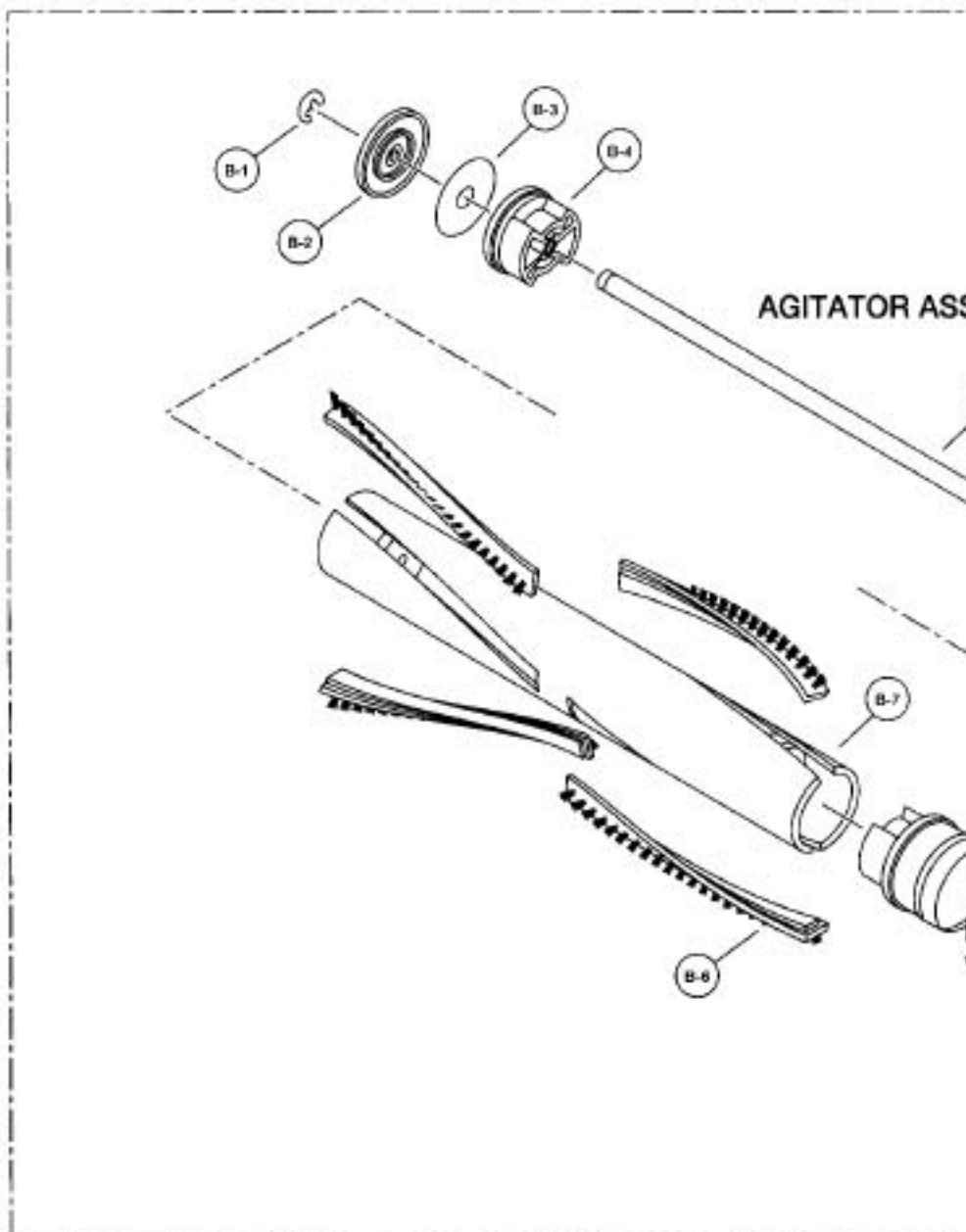
## Nozzle Housing



- |         |               |                               |
|---------|---------------|-------------------------------|
| 1.....  | P-3012.....   | Nozzle Housing, V6255         |
| 1.....  | P-34011.....  | Nozzle Housing, V6307         |
|         | P-3013.....   | Top Mark, V6255               |
| 2.....  | P-2407.....   | Headlight Cover, V6307        |
| 3.....  | P-000616..... | Screw                         |
| 4.....  | P-9102.....   | Bottom Plate Assy, V6255      |
| 4.....  | P-9105.....   | Bottom Plate Assy, V6307      |
| 5.....  | P-10307.....  | Furniture Guard               |
| 6.....  | P-2731.....   | Hose Fitting Plate            |
| 7.....  | P-7030.....   | Nozzle Pipe                   |
| 8.....  | P-0010.....   | Reflector, V6255              |
| 8.....  | P-8432.....   | Reflector, V6307              |
| 9.....  | P-2810.....   | Bulb                          |
| 10..... | N/A.....      | Bulb Socket                   |
|         | P-813.....    | Tight Packing, V6255          |
| 11..... | P-2244.....   | Reflector, V6307              |
| 12..... | P-4330.....   | Belt Cover, V6255             |
| 12..... | NLA.....      | Belt cover, front             |
| 13..... | P-000610..... | Screw                         |
| 14..... | P-587.....    | Washer                        |
| 15..... | P-27005.....  | Bottom Plate, V6307           |
| 16..... | P-193.....    | Packing, bottom plate, front, |
| 17..... | P-7430.....   | Packing, bottom plate, rear,  |

Models: MC-V6255, MC-V6307

## Agitator Assembly



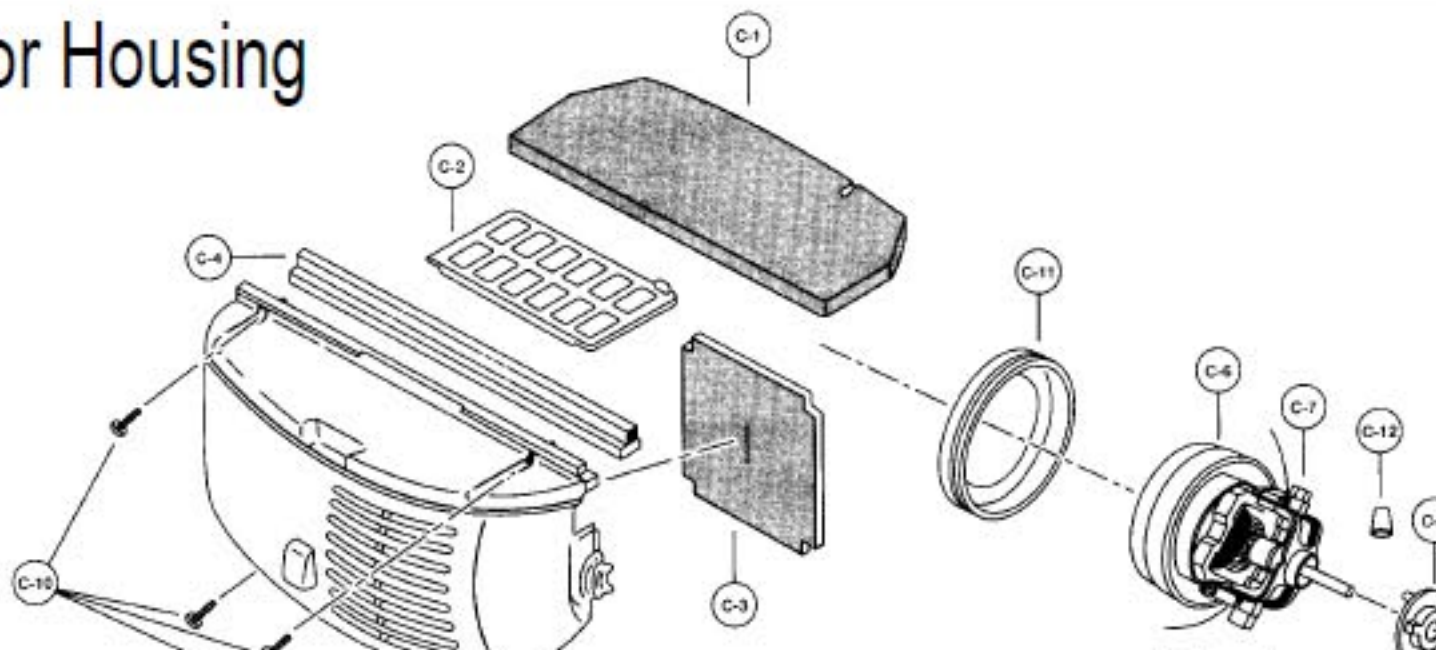
### SCHEMATIC FOR MC-V6307

- 1.....N/A.....E-Clip
- 2.....P-9709.....End Cap, right
- 3.....P-10376.....Filter
- 4.....P-4706.....Agitator Holder (B-12)
- 5.....P-5701.....Agitator Shaft
- 6.....P-8501.....Brush Strip (4 pcs)
- 7.....P-8401.....Agitator Body
- 8.....P-9301.....Brush Holder Unit
- 9.....P-2901.....Agitator Pulley
- 10.....P-7401.....Spacer
- 11.....P-168.....Spring Pin
- 12.....P-9702.....End Cap, left
- .....P-9209.....Agitator Assembly, V6307

### PARTS FOR MC-V6255

- P-962.....Agitator Unit
- P-0693.....End Cap "A"
- P-0694.....End Cap "B"
- P-0030.....Washer
- P-00108.....Agitator Assembly, complete

## Motor Housing

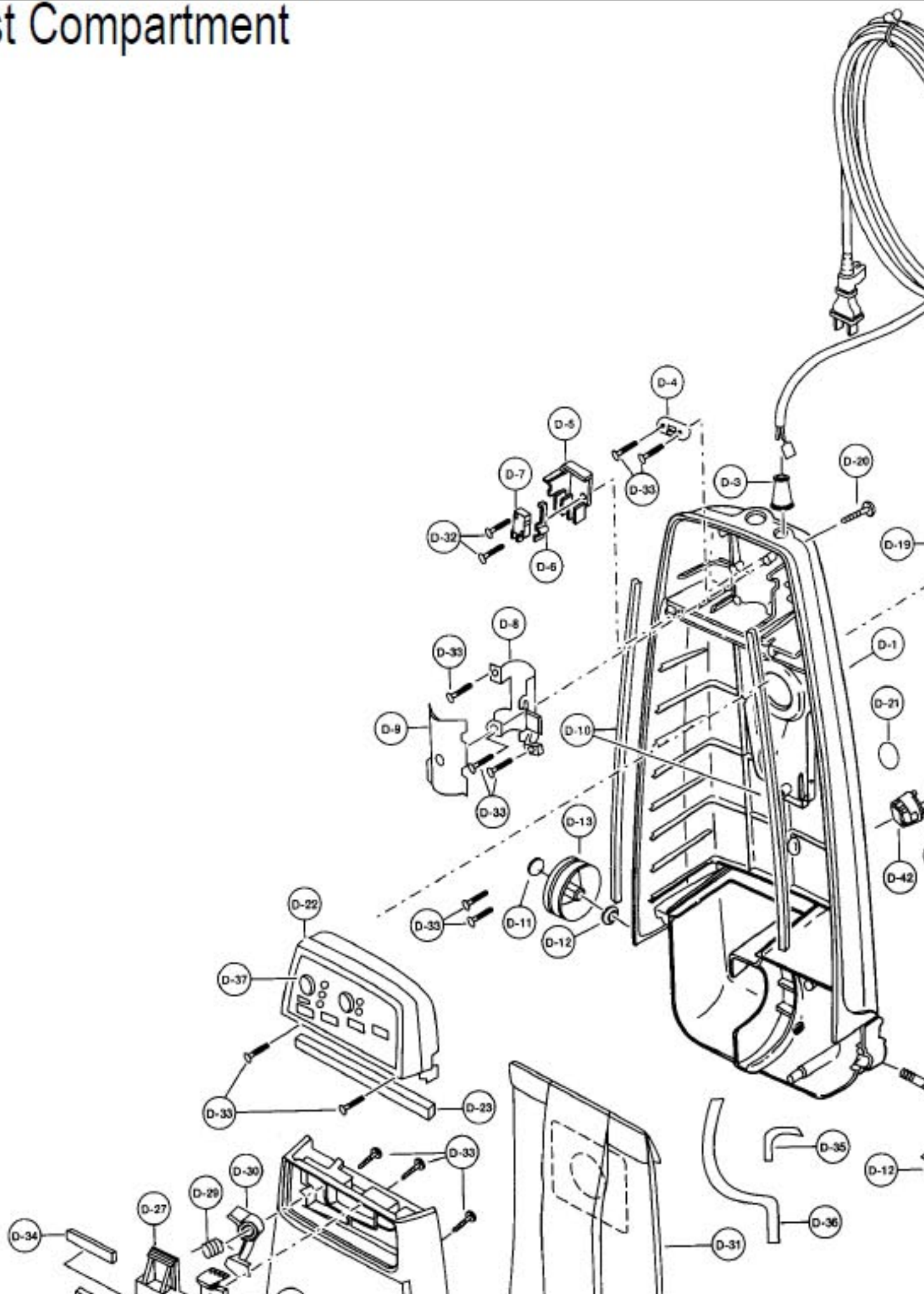


# PANASONIC

V

Models: MC-V6255, MC-V6307

## Dust Compartment



Models: MC-V6255, MC-V6307

- 1..... P-64306..... Dust Cover, V6255
- 1..... P-40507..... Dust Compartment
- 2..... P-97206..... Power Cord, V6255
- 2..... P-9746..... Power Cord, V6307
- 3..... P-2482..... Cord Bushing
- 4..... N/A..... Cord Stopper
- 5..... P-0071..... Terminal Cover
- 6..... P-153..... Switch Lever
- 7..... P-000305..... Main Switch
- 8..... P-2485..... Handle Supporter
- 9..... P-2486..... Handle Fitting
- 10..... P-00109..... Packing, dust box
- 11..... P-74009..... Stopper, wheel
- 12..... P-6115..... Washer
- 13..... P-0114..... Roller
- 14..... P-1605..... Shaft, roller
- 15..... P-000623..... Wire Nut
- 16..... P-34106..... Nozzle Hose
- 17..... P-10382..... Cover
- 18..... P-60407..... Suction Inlet
- 19..... P-1034..... Packing, suction inlet
- 20..... P-7330..... Screw, handle
- 21..... P-2497..... Sticker, V6307
- 22..... P-39106..... Switch Cover, V6255
- 22..... P-3011..... Switch Cover, V6307
- 23..... P-73306..... Packing, switch cover
- 24..... P-000094..... Dust Cover, V6307
- 25..... P-2107..... Front Cover, V6255
- 25..... P-1170..... Front Cover, V6307
- 26..... P-6007..... Switch Lever, V6307
- 27..... P-2522..... Indicator Window, V6307
- 28..... P-1027..... Release Button, V6307
- 29..... P-4231..... Indicator Spring, V6255
- 29..... P-0406..... Indicator Spring, V6307
- 30..... P-0049..... Indicator Lead, V6255
- 30..... P-2526..... Indicator Lead, V6307
- 31..... P-115P..... Paper Bag, type U3, 3 pack
- 32..... P-8172..... Screw, main switch, V6255
- 32..... P-320..... Screw, main switch, V6307
- 33..... P-6140..... Screw, handle support, switch cover, cord stopper, dust cover, suction inlet, V6307
- 34..... P-2540..... Packing, V6307
- 35..... P-3905..... Packing, V6307
- 36..... P-4160..... Packing, V6307
- 37..... P-21031..... Ornamental Plate, V6255
- 37..... P-2180..... Ornamental Plate, V6307
- 38..... P-3805..... Wire Cord
- 39..... P-1806..... Protector Support
- 40..... P-6906..... Protector
- 41..... P-7001..... Spring, protector
- 42..... P-9832..... Protector Case
- P-203..... Supporter, indicator lead, V6255
- P-0830..... Indicator Window, V6255

## Handle Assembly

- 1..... N/A..... Handle Grip, right
- 1..... P-9817..... Handle Grip, right
- 2..... P-2207..... Handle Grip, left
- 3..... P-6414..... Handle
- 4..... P-9307..... Switch Window
- 5..... P-693107..... Switch Knob
- 6..... P-8172..... Screw
- 7..... P-9819..... Cord Hook, upper
- 8..... P-8172..... Screw
- 9..... P-587..... Washer, handle
- 10..... P-7670..... Spring, cord hook
- 11..... P-54307..... Cord Hook, lower
- 12..... P-8172..... Screw
- 13..... P-623..... Handle Lever

