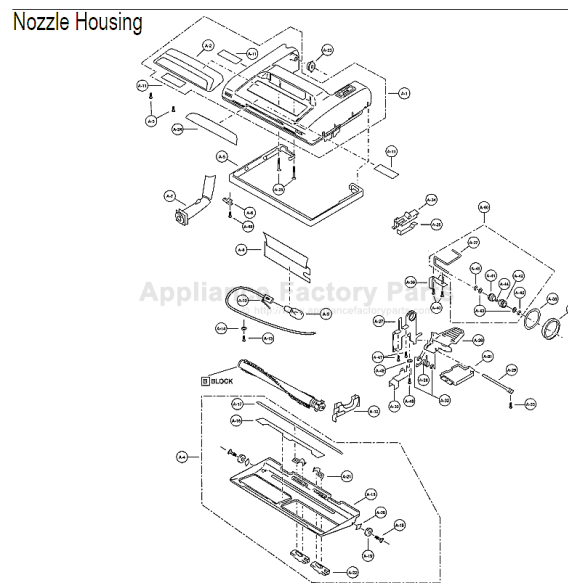


This Owner's Manual is provided and hosted by [Appliance Factory Parts](#).



PANASONIC V6307 Owner's Manual

[Shop genuine replacement parts for PANASONIC
V6307](#)

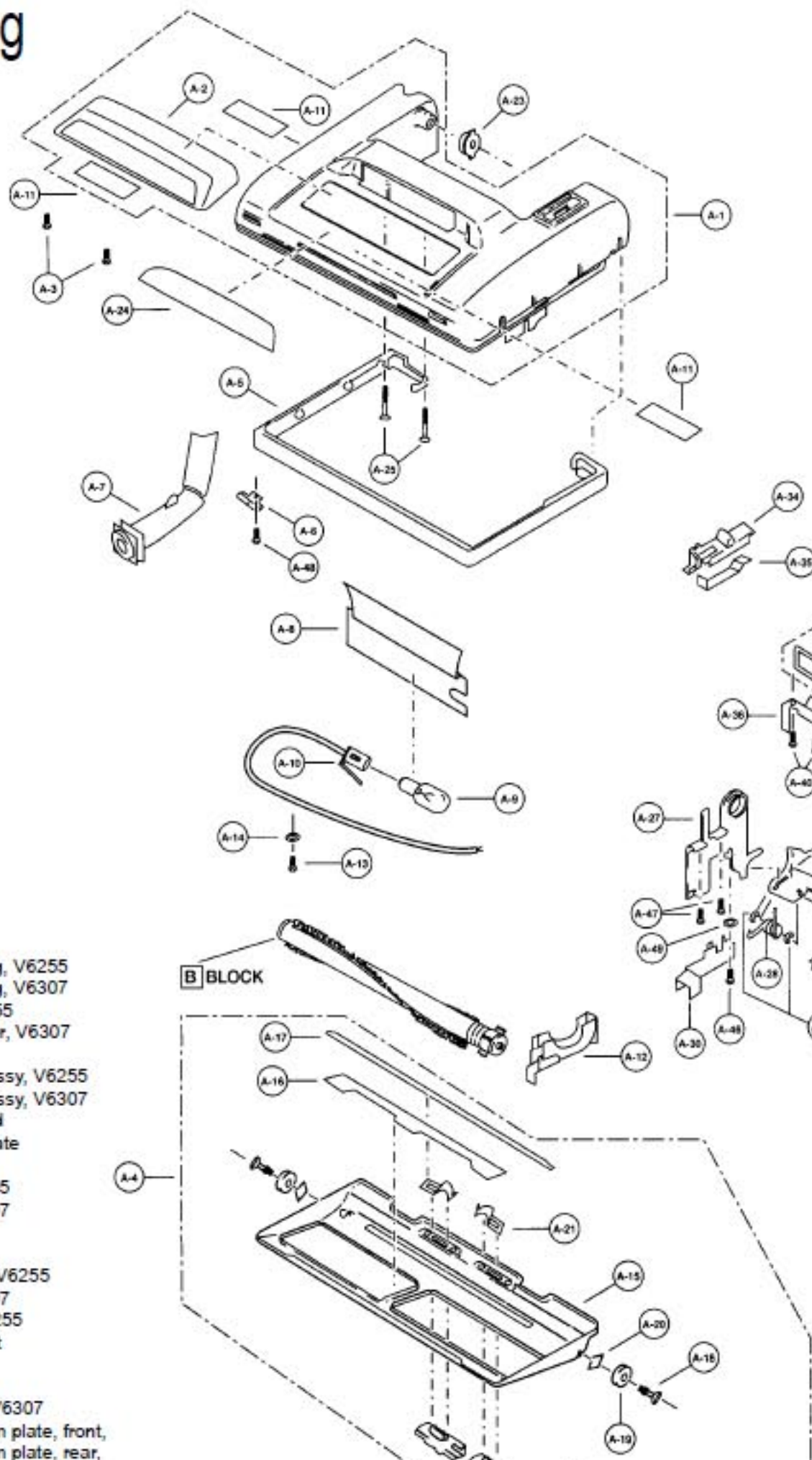


[Find Your PANASONIC Vacuum Cleaner Parts - Select From 605 Models](#)

----- Manual continues below -----

Models: MC-V6255, MC-V6307

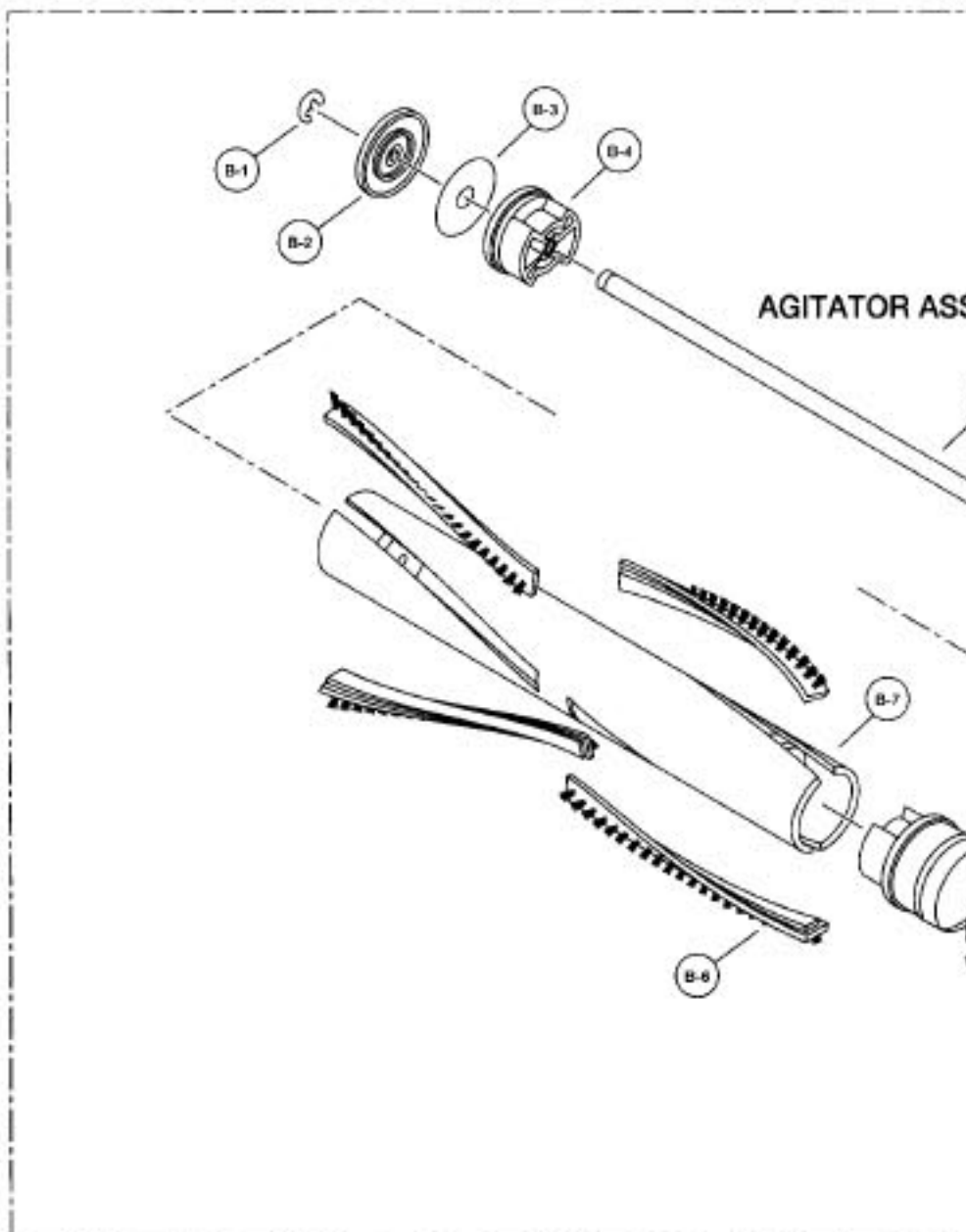
Nozzle Housing



- | | | |
|---------|---------------|-------------------------------|
| 1..... | P-3012..... | Nozzle Housing, V6255 |
| 1..... | P-34011..... | Nozzle Housing, V6307 |
| | P-3013..... | Top Mark, V6255 |
| 2..... | P-2407..... | Headlight Cover, V6307 |
| 3..... | P-000616..... | Screw |
| 4..... | P-9102..... | Bottom Plate Assy, V6255 |
| 4..... | P-9105..... | Bottom Plate Assy, V6307 |
| 5..... | P-10307..... | Furniture Guard |
| 6..... | P-2731..... | Hose Fitting Plate |
| 7..... | P-7030..... | Nozzle Pipe |
| 8..... | P-0010..... | Reflector, V6255 |
| 8..... | P-8432..... | Reflector, V6307 |
| 9..... | P-2810..... | Bulb |
| 10..... | N/A..... | Bulb Socket |
| | P-813..... | Tight Packing, V6255 |
| 11..... | P-2244..... | Reflector, V6307 |
| 12..... | P-4330..... | Belt Cover, V6255 |
| 12..... | NLA..... | Belt cover, front |
| 13..... | P-000610..... | Screw |
| 14..... | P-587..... | Washer |
| 15..... | P-27005..... | Bottom Plate, V6307 |
| 16..... | P-193..... | Packing, bottom plate, front, |
| 17..... | P-7430..... | Packing, bottom plate, rear, |

Models: MC-V6255, MC-V6307

Agitator Assembly



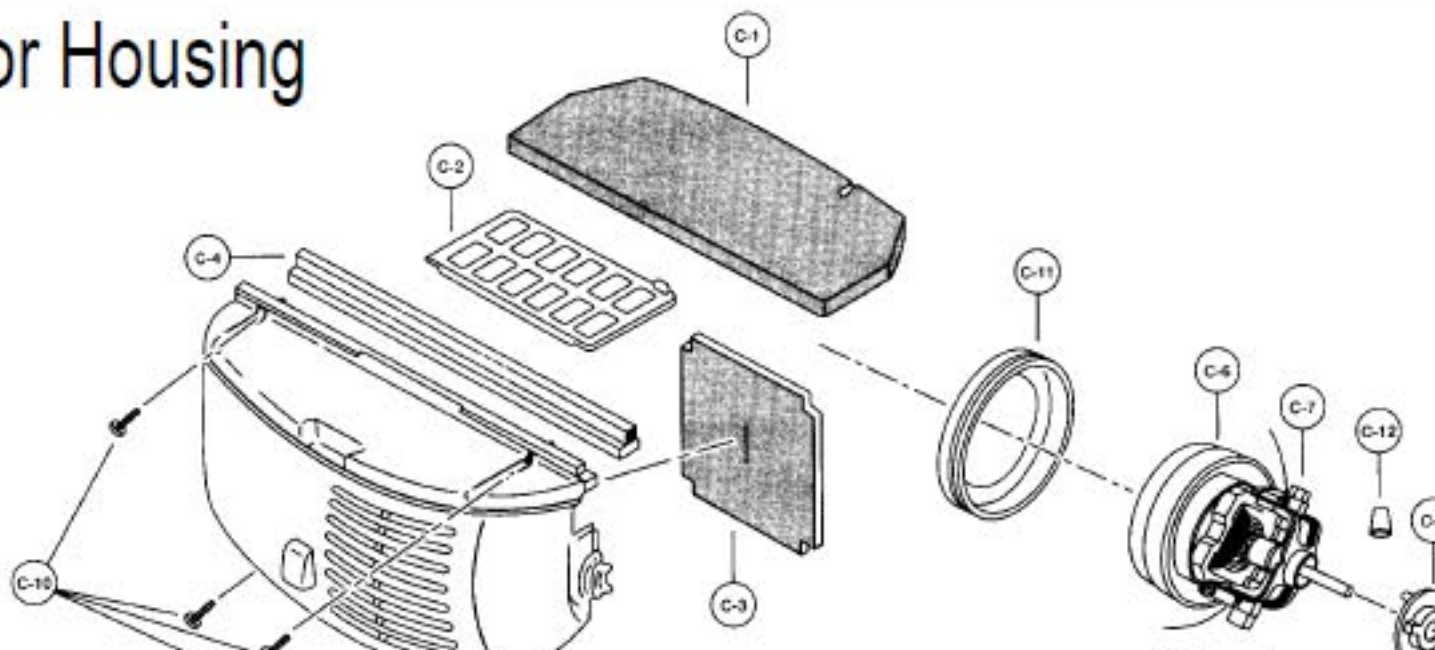
SCHEMATIC FOR MC-V6307

- | | | |
|---------|--------------|--------------------------|
| 1..... | N/A..... | E-Clip |
| 2..... | P-9709..... | End Cap, right |
| 3..... | P-10376..... | Filter |
| 4..... | P-4706..... | Agitator Holder |
| 5..... | P-5701..... | Agitator Shaft |
| 6..... | P-8501..... | Brush Strip (4 pcs) |
| 7..... | P-8401..... | Agitator Body |
| 8..... | P-9301..... | Brush Holder Unit |
| 9..... | P-2901..... | Agitator Pulley |
| 10..... | P-7401..... | Spacer |
| 11..... | P-168..... | Spring Pin |
| 12..... | P-9702..... | End Cap, left |
| | P-9209..... | Agitator Assembly, V6307 |

PARTS FOR MC-V6255

- | | |
|--------------|-----------------------------|
| P-962..... | Agitator Unit |
| P-0693..... | End Cap "A" |
| P-0694..... | End Cap "B" |
| P-0030..... | Washer |
| P-00108..... | Agitator Assembly, complete |

Motor Housing

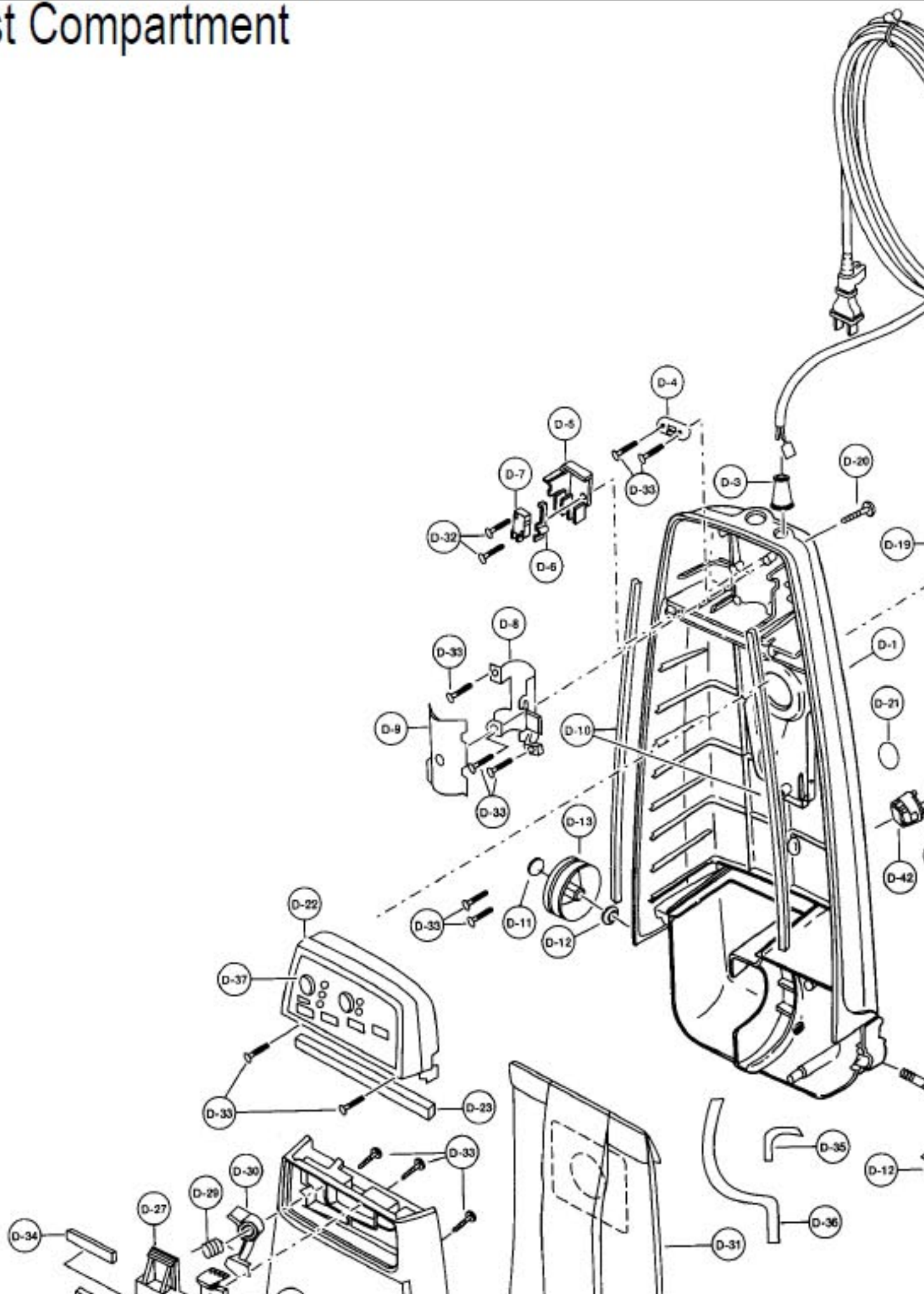


PANASONIC

V

Models: MC-V6255, MC-V6307

Dust Compartment



Models: MC-V6255, MC-V6307

- 1..... P-64306..... Dust Cover, V6255
- 1..... P-40507..... Dust Compartment
- 2..... P-97206..... Power Cord, V6255
- 2..... P-9746..... Power Cord, V6307
- 3..... P-2482..... Cord Bushing
- 4..... N/A..... Cord Stopper
- 5..... P-0071..... Terminal Cover
- 6..... P-153..... Switch Lever
- 7..... P-000305..... Main Switch
- 8..... P-2485..... Handle Supporter
- 9..... P-2486..... Handle Fitting
- 10..... P-00109..... Packing, dust box
- 11..... P-74009..... Stopper, wheel
- 12..... P-6115..... Washer
- 13..... P-0114..... Roller
- 14..... P-1605..... Shaft, roller
- 15..... P-000623..... Wire Nut
- 16..... P-34106..... Nozzle Hose
- 17..... P-10382..... Cover
- 18..... P-60407..... Suction Inlet
- 19..... P-1034..... Packing, suction inlet
- 20..... P-7330..... Screw, handle
- 21..... P-2497..... Sticker, V6307
- 22..... P-39106..... Switch Cover, V6255
- 22..... P-3011..... Switch Cover, V6307
- 23..... P-73306..... Packing, switch cover
- 24..... P-000094..... Dust Cover, V6307
- 25..... P-2107..... Front Cover, V6255
- 25..... P-1170..... Front Cover, V6307
- 26..... P-6007..... Switch Lever, V6307
- 27..... P-2522..... Indicator Window, V6307
- 28..... P-1027..... Release Button, V6307
- 29..... P-4231..... Indicator Spring, V6255
- 29..... P-0406..... Indicator Spring, V6307
- 30..... P-0049..... Indicator Lead, V6255
- 30..... P-2526..... Indicator Lead, V6307
- 31..... P-115P..... Paper Bag, type U3, 3 pack
- 32..... P-8172..... Screw, main switch, V6255
- 32..... P-320..... Screw, main switch, V6307
- 33..... P-6140..... Screw, handle support, switch cover, cord stopper, dust cover, suction inlet, V6307
- 34..... P-2540..... Packing, V6307
- 35..... P-3905..... Packing, V6307
- 36..... P-4160..... Packing, V6307
- 37..... P-21031..... Ornamental Plate, V6255
- 37..... P-2180..... Ornamental Plate, V6307
- 38..... P-3805..... Wire Cord
- 39..... P-1806..... Protector Support
- 40..... P-6906..... Protector
- 41..... P-7001..... Spring, protector
- 42..... P-9832..... Protector Case
- P-203..... Supporter, indicator lead, V6255
- P-0830..... Indicator Window, V6255

Handle Assembly

- 1..... N/A..... Handle Grip, right
- 1..... P-9817..... Handle Grip, right
- 2..... P-2207..... Handle Grip, left
- 3..... P-6414..... Handle
- 4..... P-9307..... Switch Window
- 5..... P-693107..... Switch Knob
- 6..... P-8172..... Screw
- 7..... P-9819..... Cord Hook, upper
- 8..... P-8172..... Screw
- 9..... P-587..... Washer, handle
- 10..... P-7670..... Spring, cord hook
- 11..... P-54307..... Cord Hook, lower
- 12..... P-8172..... Screw
- 13..... P-623..... Handle Lever

