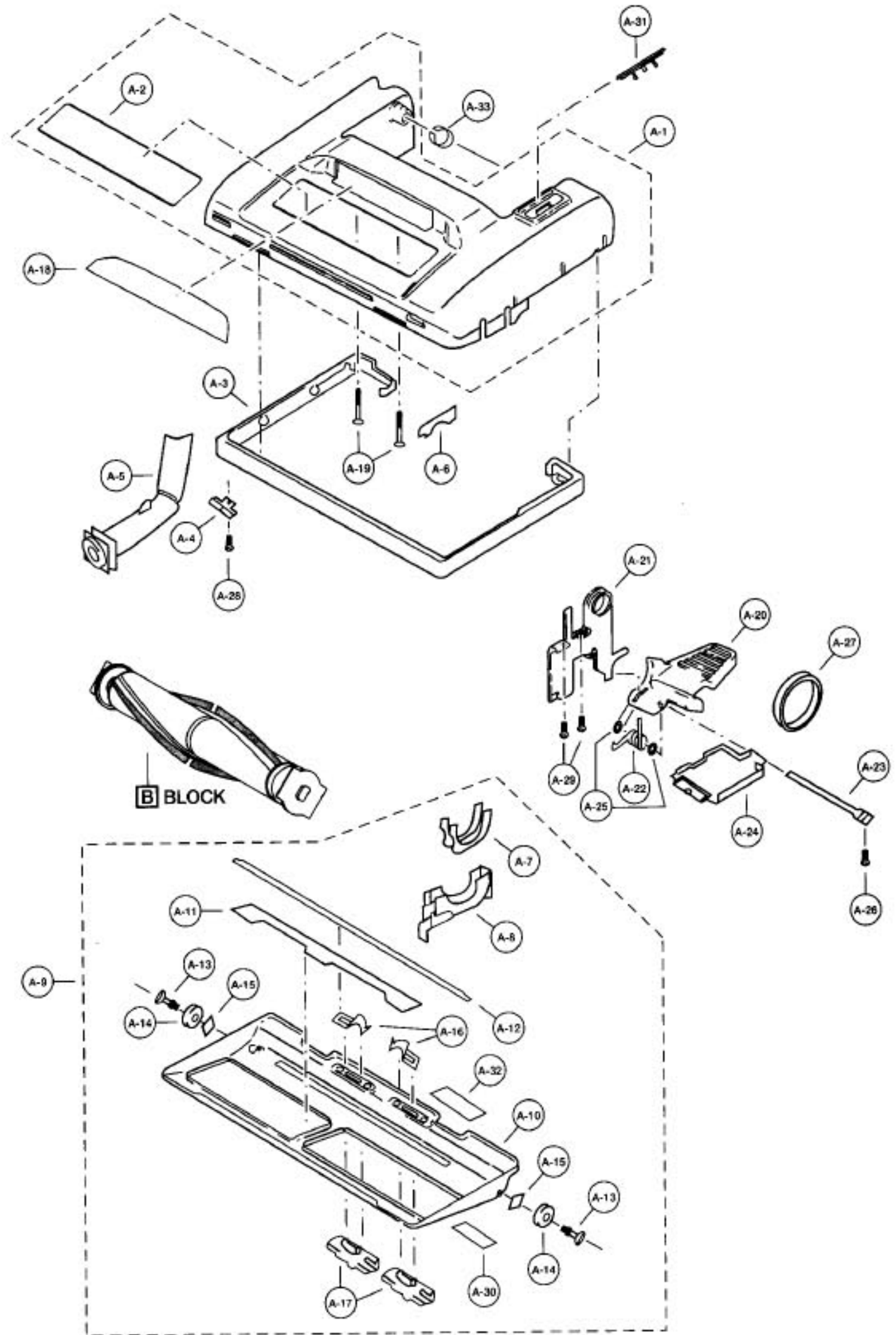


Models: MC-6601

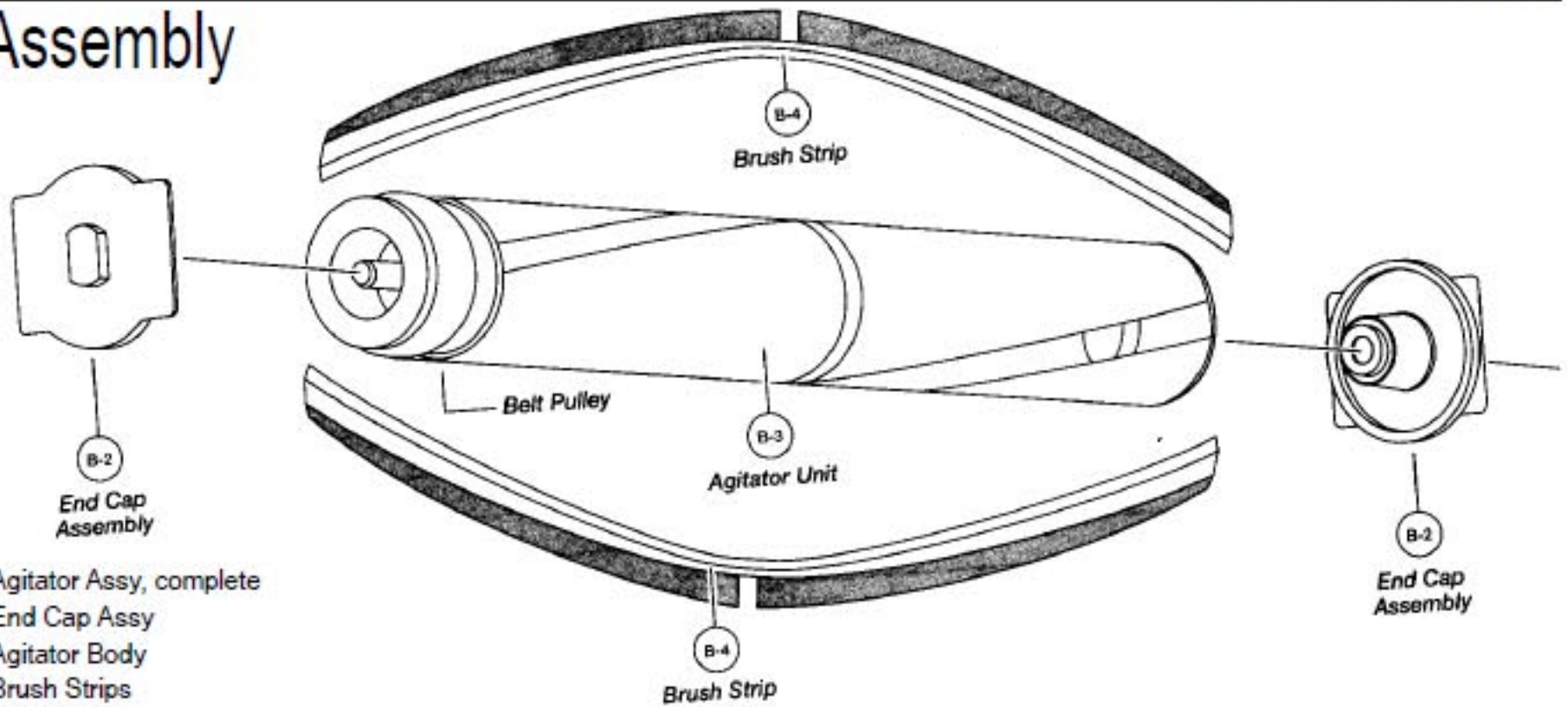
Nozzle Housing

- 1..... NLA..... Nozzle Housing
- 2..... P-9214..... Top Mark
- 3..... P-10306..... Furniture Guard
- 4..... P-2731..... Hose Fitting Plate
- 5..... P-7030..... Nozzle Pipe
- 6..... P-813..... Tight Packing
- 7..... P-753..... Body Packing
- 8..... P-4305..... Belt Cover
- 9..... P-9105..... Lower Plate Assembly
- 10..... P-27005..... Lower Plate
- 11..... P-193..... Packing, lower plate, front
- 12..... P-7430..... Packing, lower plate, back
- 13..... P-503..... Roller Shaft
- 14..... P-909..... Roller, floor nozzle
- 15..... P-04..... Spring Nut, push-on
- 16..... P-704..... Stop Latch Spring
- 17..... P-684..... Latch
- 18..... P-21107..... Window
- 19..... P-683..... Screw, nozzle housing
- 20..... P-0016..... Pedal
- 21..... P-433..... Frame
- 22..... P-583..... Pedal, spring
- 23..... P-513..... Pedal Shaft
- 24..... P-1130..... Rear Belt Cover
- 25..... P-411..... E-Clip
- 26..... P-8172..... Screw, pedal shaft
- 27..... P-260B..... Flat Belt
- 28..... P-6140..... Screw, hose fitting plate
- 29..... P-8172..... Screw, frame
- 30..... P-083..... Warning Label
- 31..... P-24007..... Cover Plate
- 32..... P-07000..... Caution Label
- 33..... P-0210..... Body Supporter



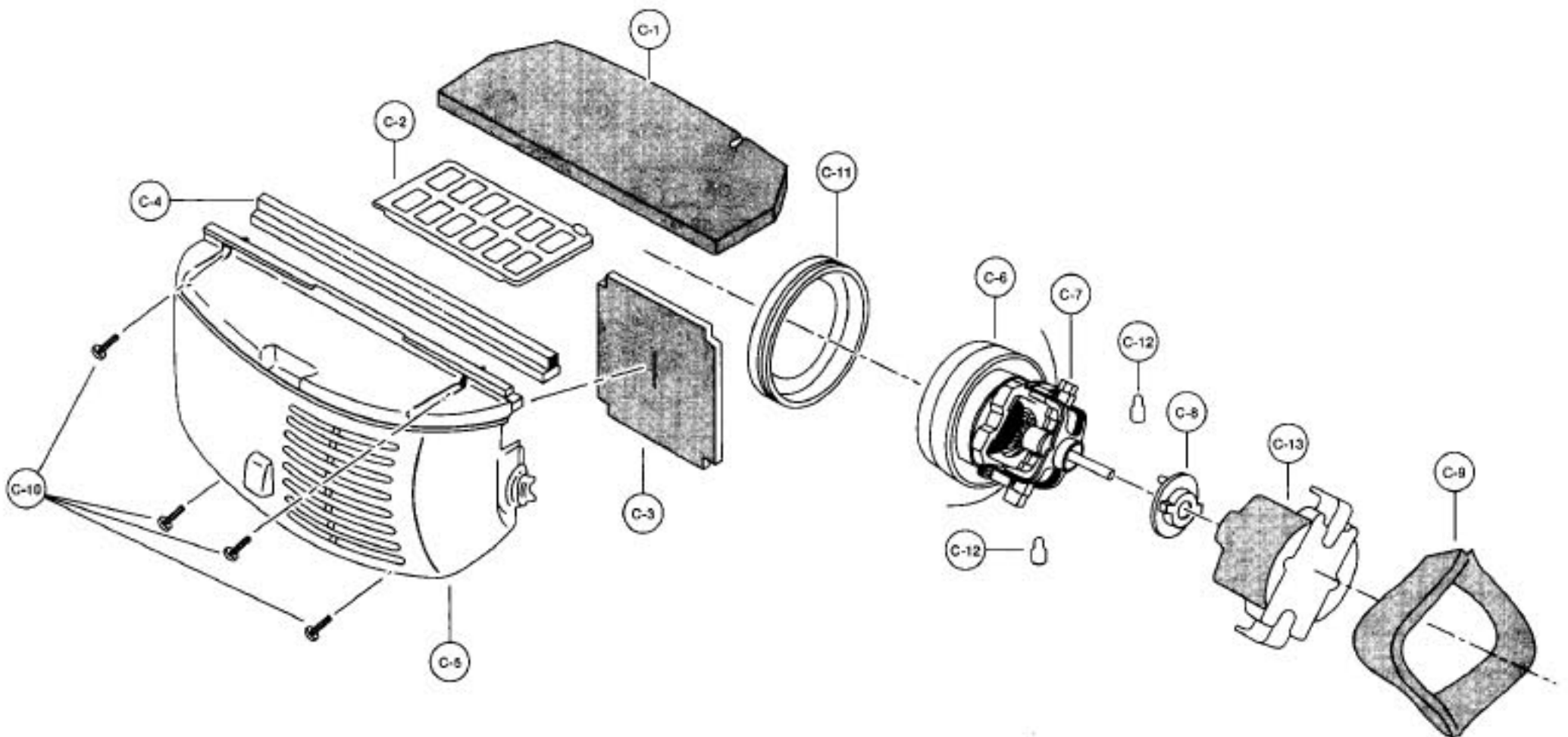
Models: MC-6601

Agitator Assembly



- 1.....P-92107..... Agitator Assy, complete
- 2.....P-000612..... End Cap Assy
- 3.....P-8513..... Agitator Body
- 4.....P-7802..... Brush Strips

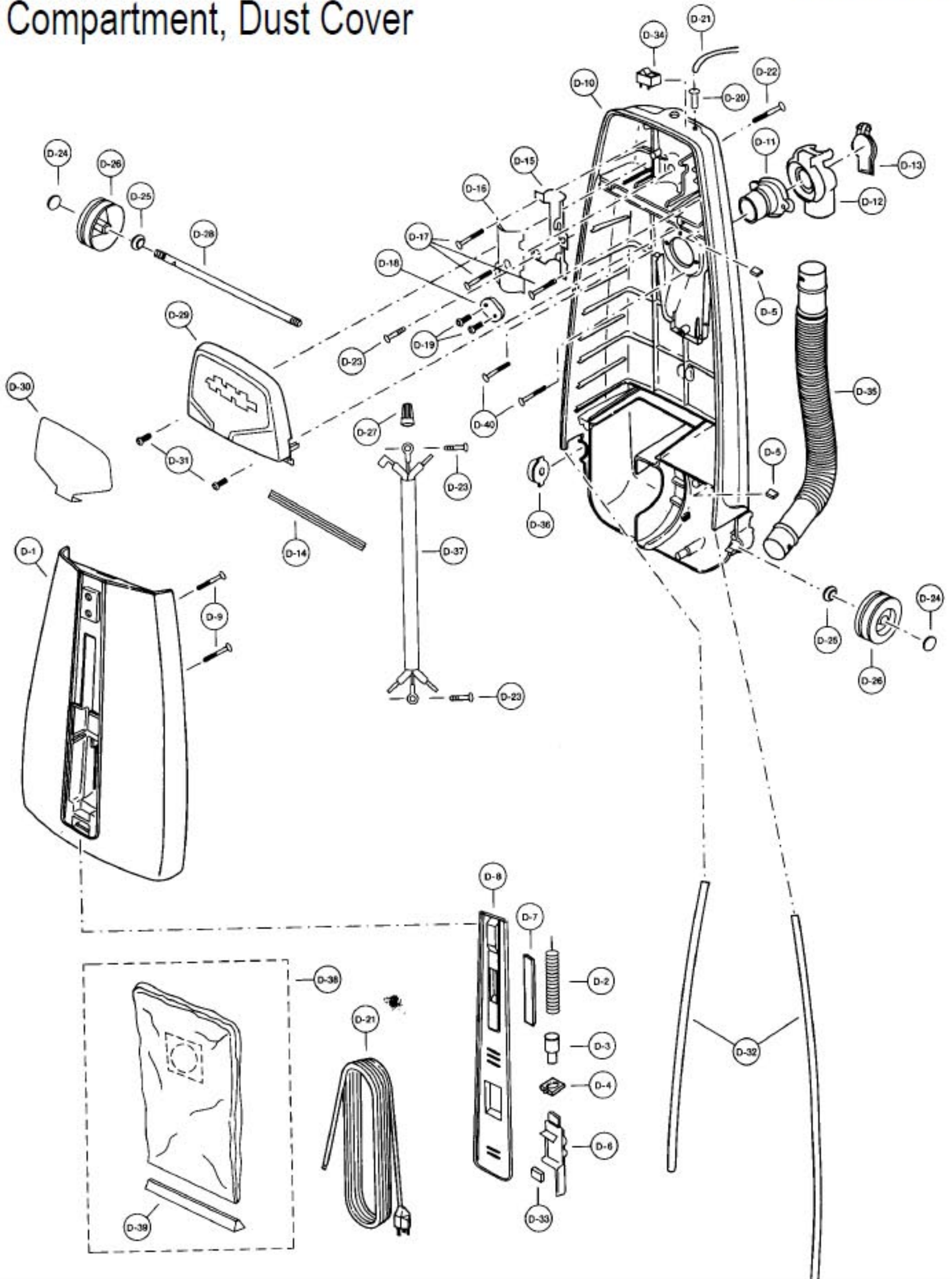
Motor Unit



- | | | |
|--------------------------------------|--|--|
| 1.....P-2463..... Secondary Filter | 6.....P-92105..... Motor Unit | 11.....P-24..... Motor Support Rubber, front |
| 2.....P-3200..... Filter Supporter | 7.....P-9834..... Carbon Brush, set | 12.....P-000623..... Wire Nut |
| 3.....P-0232..... Rear Cover Packing | 8.....P-0300..... Motor Support Rubber, rear | 13.....P-93033..... Motor Cover |
| 4.....P-2466..... Motor Case Packing | 9.....P-99300..... Noise Suppressor | |
| 5.....P-93407..... Motor Case | 10.....P-6140..... Screw | |

Models: MC-6601

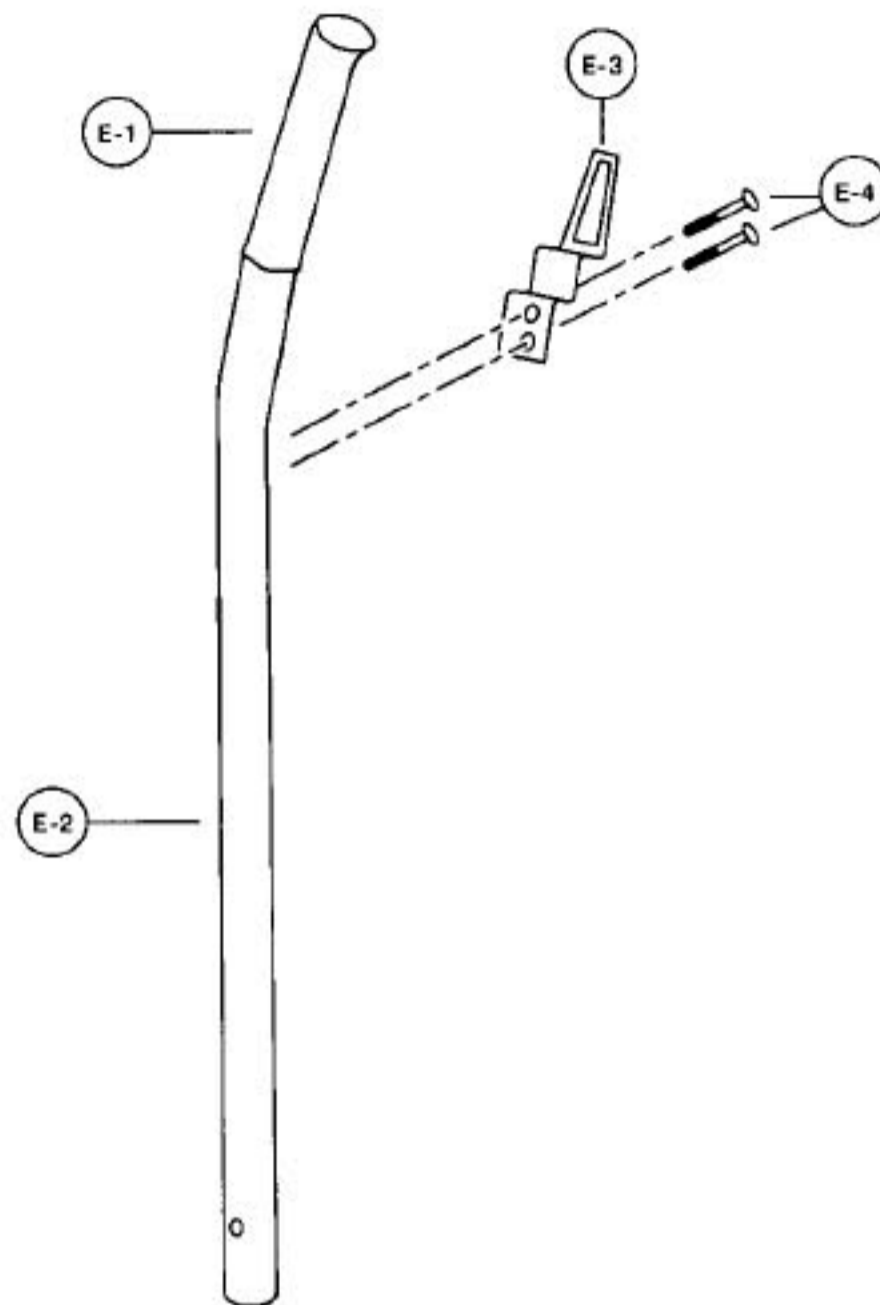
Dust Compartment, Dust Cover



Models: MC-6601

- 1.....P-10205.....Dust Cover
- 2.....P-4105.....Indicator Spring
- 3.....P-0049.....Indicator Lead
- 4.....P-203.....Supporter, indicator lead
- 5.....P-81105.....Tight Packing
- 6.....P-63107.....Suction Control Lever
- 7.....P-0830.....Indicator Window
- 8.....P-1170.....Front Cover
- 9.....P-6140.....Screw, dust cover
- 10...P-4006.....Dust Container
- 11...P-1034.....Suction Inlet Packing
- 12...P-000625.....Suction Inlet
- 13...P-8915.....Cover
- 14...P-7332.....Packing, switch cover
- 15...P-5311.....Handle Supporter
- 16...P-69300.....Handle Fitting
- 17...P-6140.....Screw, handle supporter
- 18...P-62001.....Cord Stopper
- 19...P-6140.....Screw
- 20...P-5140.....Rubber Protector
- 21...P-9405.....Power Cord
- 22...P-7330.....Handle Screw
- 23...P-4848.....Screw, grounding, motor
handle fitting
- 24...P-74009.....Stopper, wheel
- 25...P-000035.....Washer
- 26...P-0062.....Wheel
- 27...P-000623.....Wire Nut
- 28...P-1605.....Roller Shaft
- 29...N/A.....Switch Cover
- 30...P-2105.....Ornamental Plate
- 31...P-8172.....Screw
- 32...P-6630.....Packing, dust container
- 33...P-0069.....Packing, indicator
- 34...P-7938.....Main Switch
- 35...P-34106.....Nozzle Hose
- 36...P-2530.....Plastic Shaft
- 37...P-6405.....Connection Cord
- 38...P-000699.....Dust Bag Unit
- 39...P-2305.....Fastener, dust bag
- 40...P-6140.....Screw, for suction inlet packing

Handle Assembly



- 1.....P-5016.....Handle Grip
- 2.....P-000631.....Handle, includes grip
- 3.....P-000633.....Cord Hook
- 4.....P-6807.....Screw
- 5.....P-3305.....Sticker Warning