

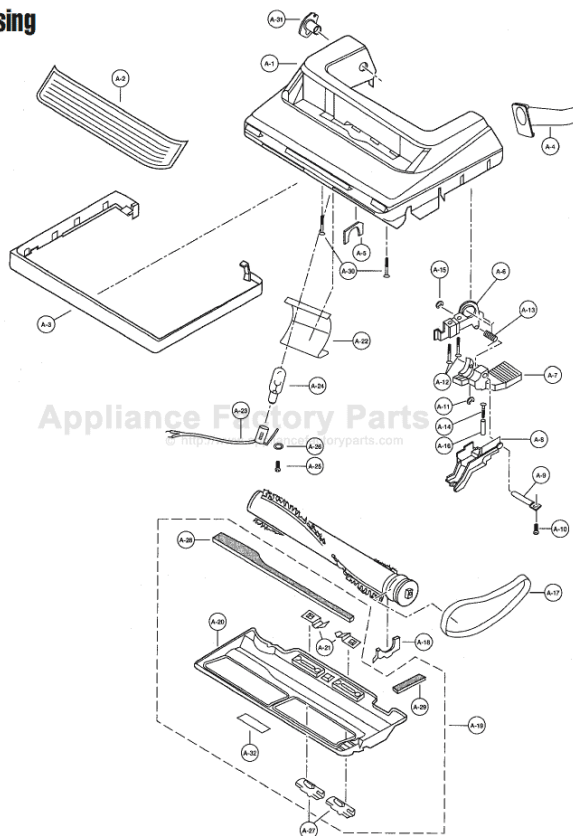
This Owner's Manual is provided and hosted by Appliance Factory Parts.



PANASONIC V6847 Owner's Manual

[Shop genuine replacement parts for PANASONIC
V6847](#)

Nozzle Housing

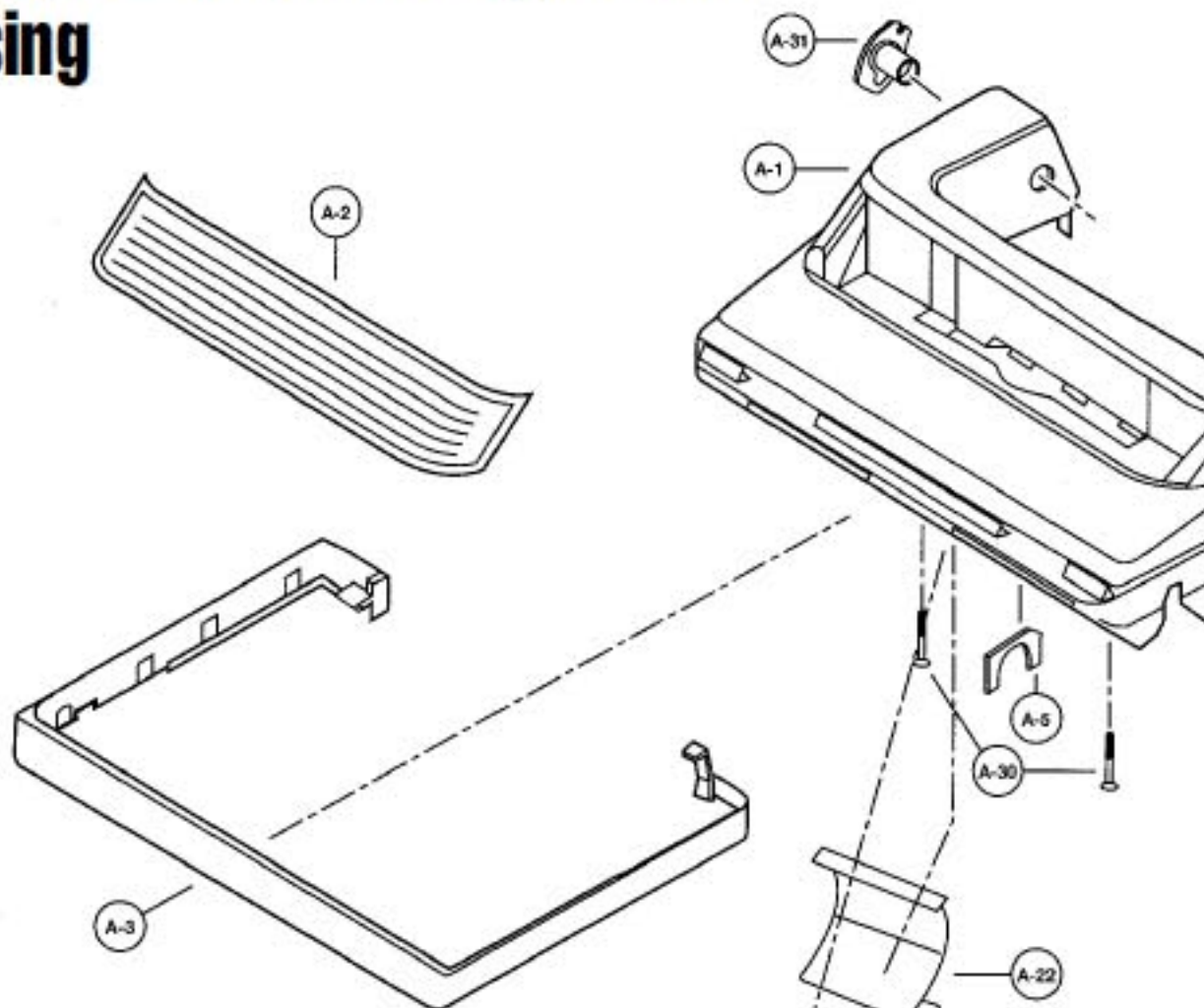


[Find Your PANASONIC Vacuum Cleaner Parts - Select From 605 Models](#)

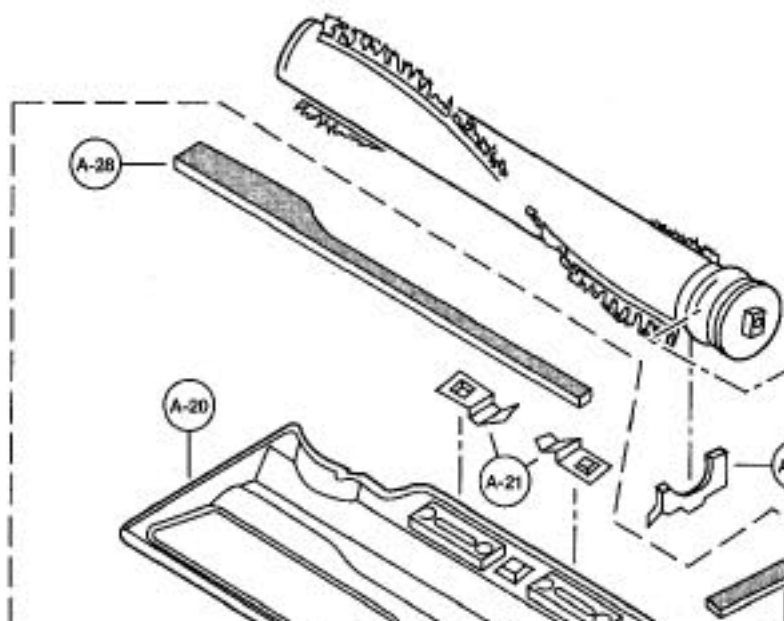
----- Manual continues below -----

Models: MC-V6807, MC-V6830, MC-V6840, MC-V6847

Nozzle Housing

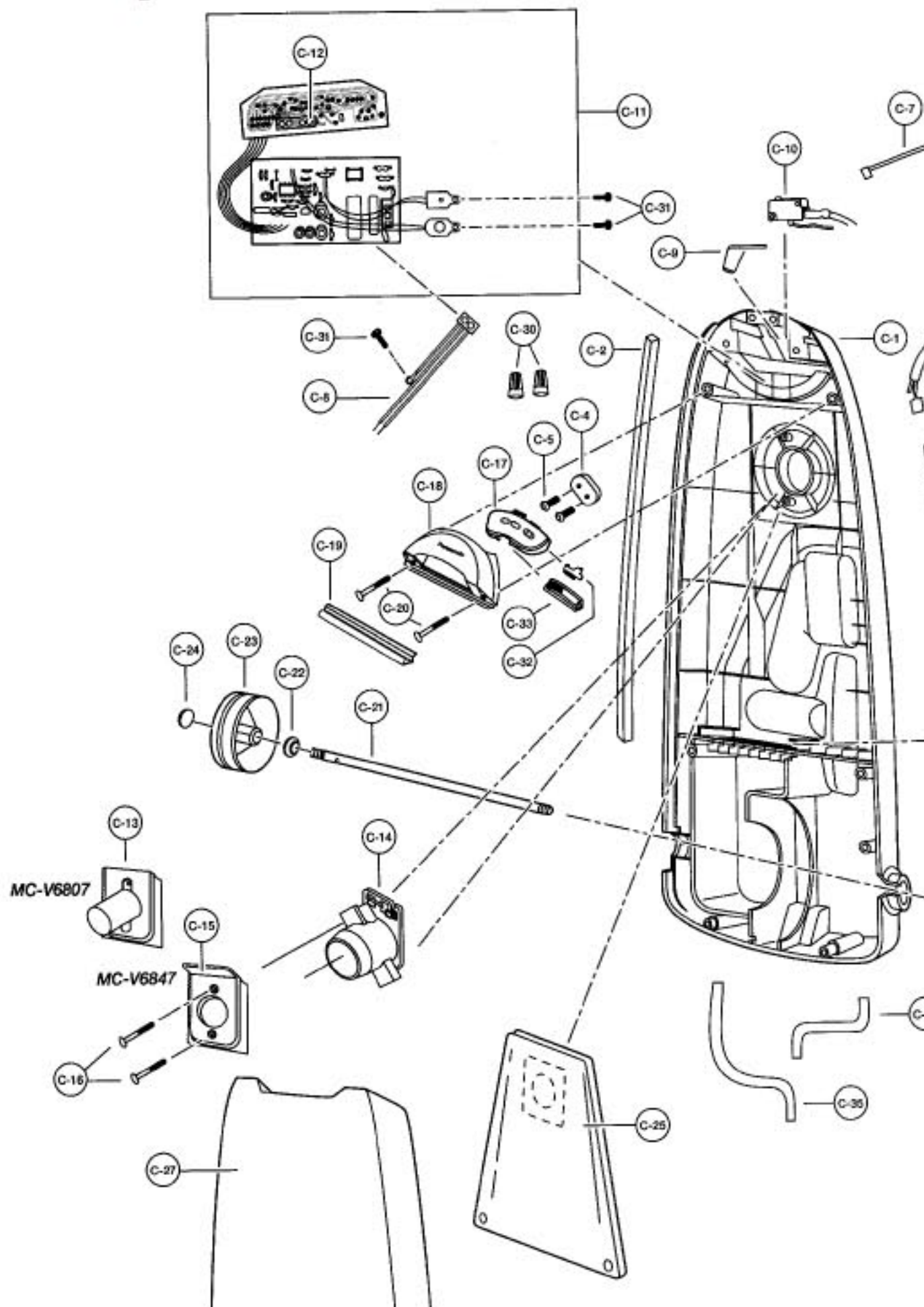


- | | | |
|----|----------|------------------------------------|
| 1 | P-1105 | Nozzle Housing, V6807 |
| 1 | P-1513 | Nozzle Housing, V6830 |
| 1 | P-01103 | Nozzle Housing, V6840 |
| 1 | P-01101 | Nozzle Housing, V6847 |
| 2 | P-2125 | Window |
| 3 | P-000274 | Furniture Guard |
| 4 | P-10108 | Nozzle Pipe |
| 5 | P-81 | Tight Packing |
| 6 | P-000095 | Frame |
| 7 | P-4720 | Pedal, black |
| 8 | P-1124 | Belt Cover |
| 9 | P-00051 | Shaft, pedal |
| 10 | P-6140 | Screw, pedal shaft |
| 11 | P-411 | E-Clip |
| 12 | P-6140 | Screw, frame |
| 13 | P-000010 | Spring, pedal |
| 14 | P-428 | Screw, spacer |
| 15 | P-411 | E-Clip |
| 16 | P-7411 | Spacer |
| 17 | P-2287 | Belt, type UB, 2 pack |
| 18 | P-8220 | Agitator Holder |
| 19 | P-8939 | Bottom Plate Assy |
| 19 | P-000013 | Bottom Plate Assy, V6830,
V6840 |
| 20 | P-000133 | Bottom Plate Only |
| 20 | P-2701 | Bottom Plate Only, V6830,
V6840 |



Models: MC-V6807, MC-V6830, MC-V6840, MC-V6847

Body Assembly



PANASONIC

V

Models: MC-V6807, MC-V6830, MC-V6840, MC-V6847

1 P-40007 Dust Container, V6807,
..... V6847

1 P-40007 Dust Container, V6830,
..... V6840

2 P-00109 Packing, dust container

3 P-9816 Power Cord, 35 ft, V6807,
..... V6847

3 P-11018 Power Cord, 25 ft, V6830

3 P-7906 Power Cord, 30 ft, V6840

4 N/A Cord Stopper

5 P-6140 Screw, cord stopper

6 P-3820 Wire Cord

7 P-000022 Lead Wire

7 P-4402 Lead Wire, V6830

8 P-000023 Lead Wire AU, V6847

9 P-000024 Switch Lever

10 .. P-0696 Switch, on/off

10 .. P-10602 Switch, on/off, V6830

11 .. P-000115 PC Assembly, V6847

12 .. P-000027 PCB Holder, V6847

13 .. P-10358 Bag Supporter, V6830,
..... V6840, V6847

14 .. P-11012 Bag Supporter, V6847

15 .. P-7082 Fin Cover, V6847

16 .. P-6140 Screw, V6847

17 .. P-2161 Ornamental Plate, V6847

18 .. P-3105 Switch Cover, V6807

18 .. P-3113 Switch Cover, V6830

18 .. P-3103 Switch Cover, V6840

18 .. P-18317 Switch Cover, V6847

19 .. P-6037 Packing, switch cover

20 .. P-6140 Screw, switch cover

21 .. P-16005 Roller Shaft

22 .. P-6115 Washer, roller shaft

23 .. P-0114 Wheel, black

24 .. P-74009 Stopper, wheel

25 .. P-115P Paper Bag, type U3, 3 pack

26 .. P-7023 Secondary Filter, foam

27 .. P-600

27 .. P-601

27 .. P-601

28 .. P-989

29 .. P-309

29 .. P-000

30 .. P-000

31 .. P-000

32 .. P-000

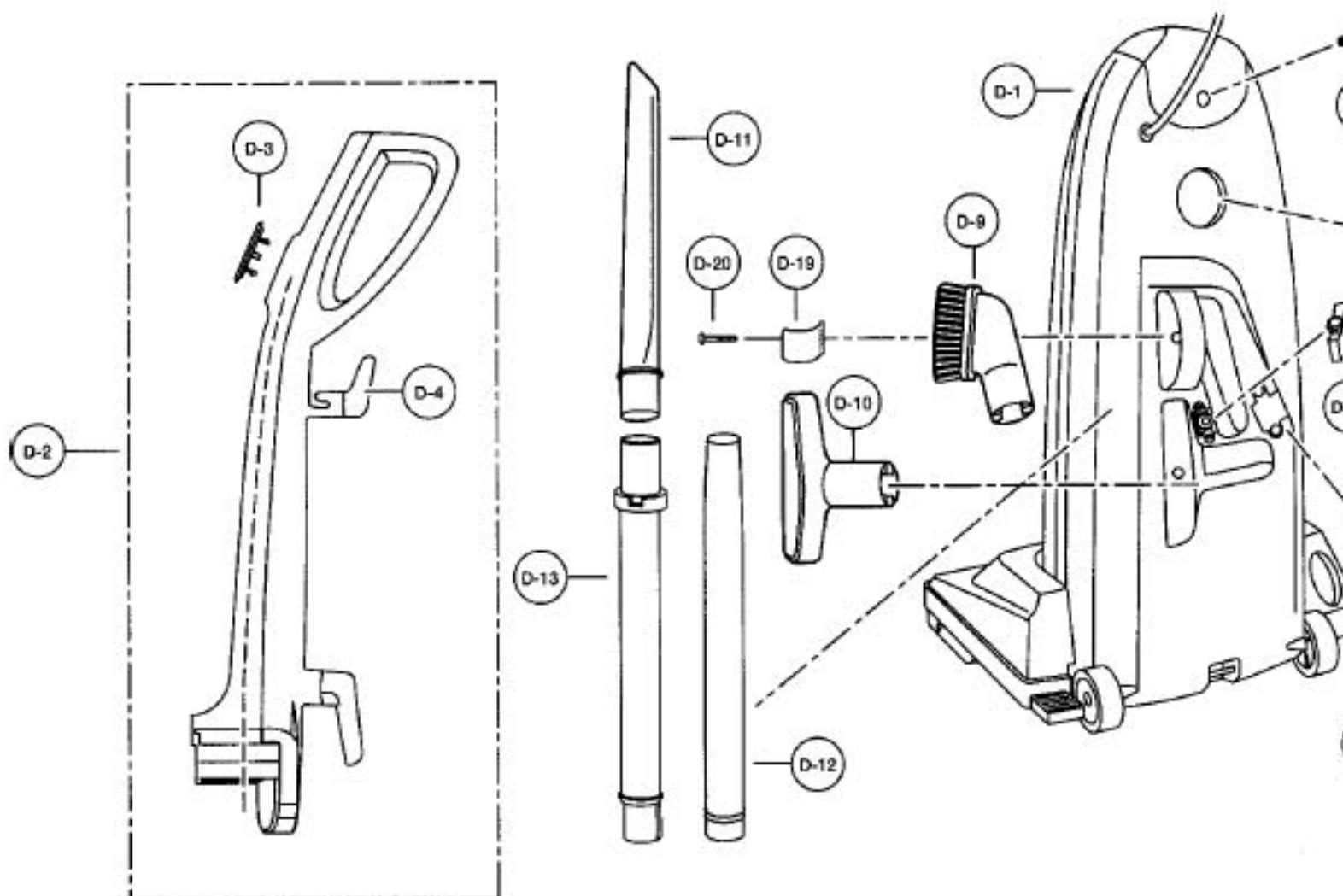
33 .. P-000

34 .. P-390

35 .. P-416

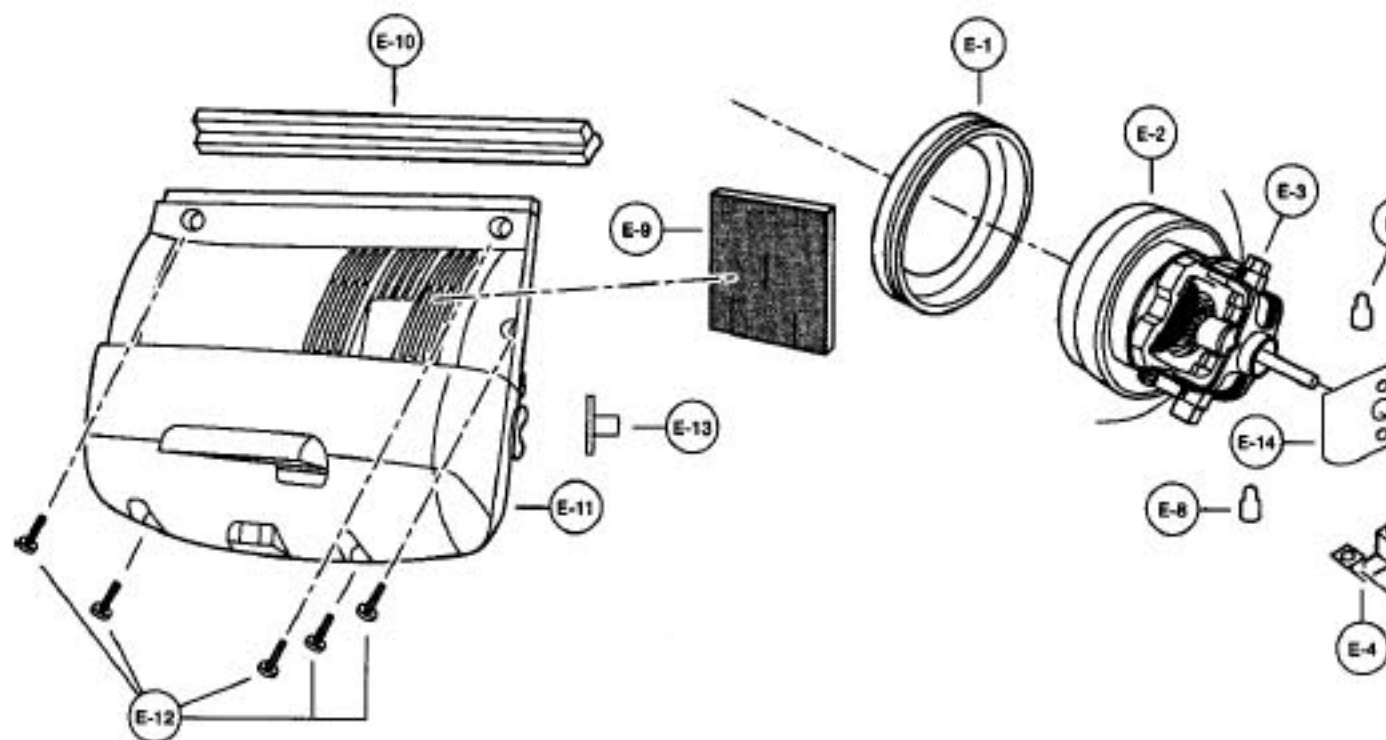
P-000

Handle Assembly & Rear Dust Compartment



Models: MC-V6807, MC-V6830, MC-V6840, MC-V6847

Motor Case & Motor



1	P-0293	Motor Support, rubber, front	6	P-9911	Motor Support, rubber, rear	11	P-0002
2	P-9905	Motor Assembly, V6807, V6847	7	P-99300	Noise Suppressor	11	P-0910
3	P-2908	Motor Assembly, V6830, V6840	8	P-000623	Wire Nut	12	P-6140
3	P-27009	Carbon Brush Assy	9	P-000064	Packing, rear cover	13	P-7805
4	P-0036	Retainer Bracket	10	P-00117	Packing, motor case	14	P-0410
5	P-0037	Screw, retainer bracket	11	P-09101	Motor Case		

Agitator Assembly

MODELS: MC-V6807, MC-V6847

	P-921	Agitator Assy, complete
2	P-85	Brush Strip (4pc)
3	P-078	Agitator Pulley
4	P-881	Agitator Holder
5	P-304	Filter
6	N/A	End Cap, right
7	P-00125	End Cap, left
8	P-57	Agitator Shaft
9	N/A	E-Clip
10	P-74	Spacer

