

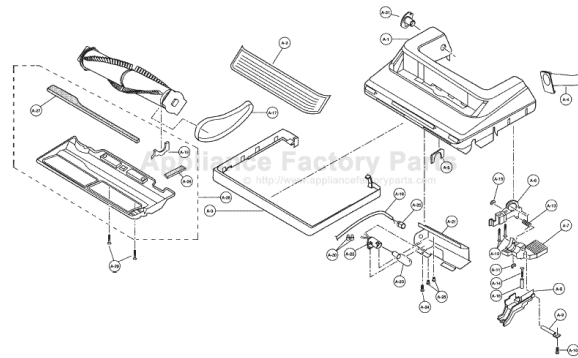
This Owner's Manual is provided and hosted by [Appliance Factory Parts](http://www.appliancefactoryparts.com).



PANASONIC 6837 Owner's Manual

[Shop genuine replacement parts for PANASONIC 6837](#)

Nozzle Housing



[Find Your PANASONIC Vacuum Cleaner Parts - Select From 605 Models](#)

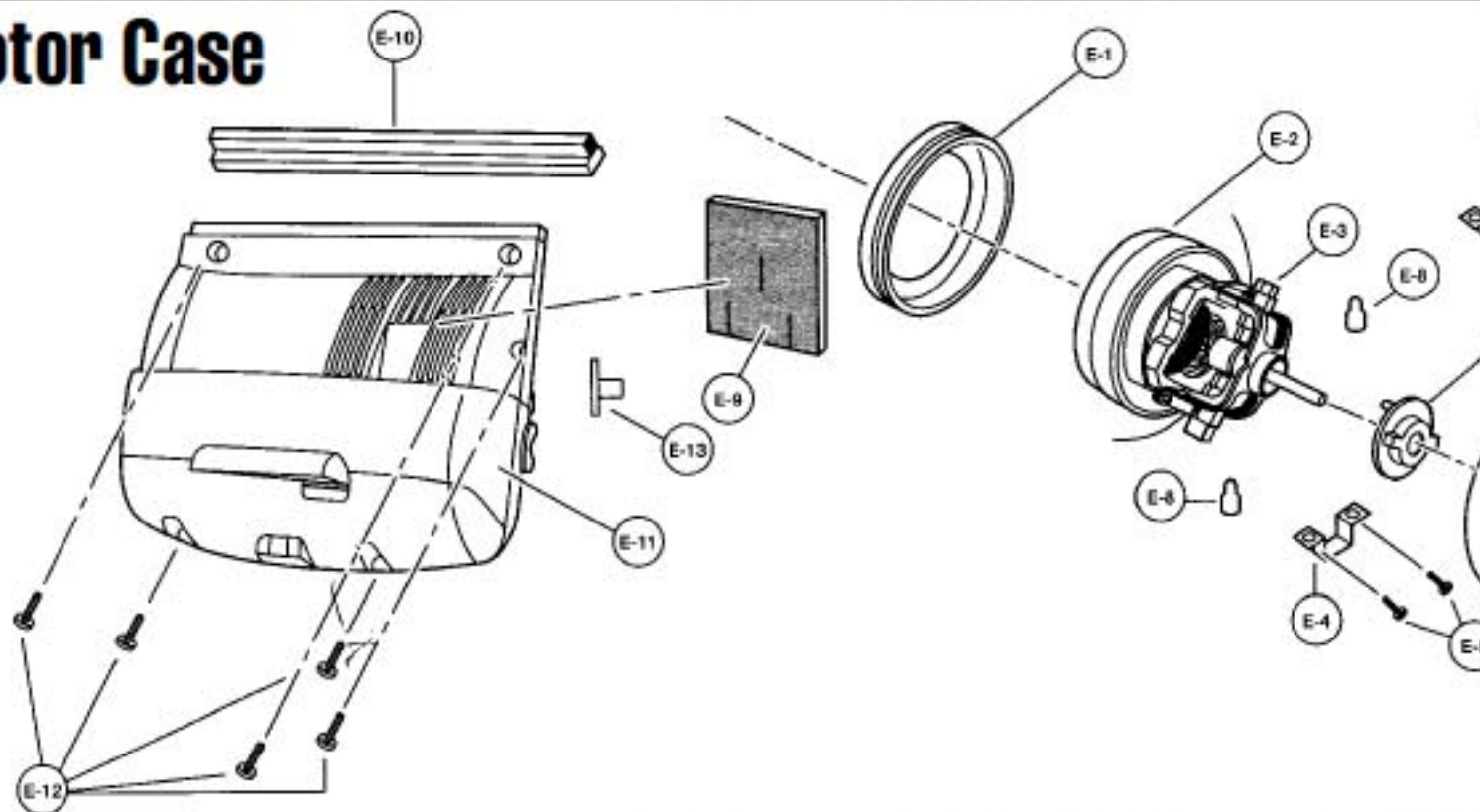
----- Manual continues below -----

PANASONIC

Models: MC-6810, MC-6815, MC-6837, MC-6855

20	P-000132	Screw, switch cover	25	253-12	Paper Bag, 12 pack (R)	29	P-309
21	P-161	Roller Shaft	25	MF-11	Paper Bag, 3 pack, micro-filtration (R)	30	P-000
22	P-6115	Washer, roller shaft	26	P-7023	Secondary Filter	31	P-000
23	P-0114	Wheel, black	27	P-000037	Dust Cover, 6815, 6855	32	P-000
24	N/A	E-Clip	27	P-000285	Dust Cover, 6810	33	P-253
25	P-115P	Paper Bag, type U3, 3 pack	27	P-000301	Dust Cover, 6837	34	P-000
25	P-115PT	Paper Bag, type U3, 12 pack	28	P-9893	Filter Supporter, 6855, 6837	35	P-000
25	253	Paper Bag, 3 pack (R)					

Motor Case



1	P-0293	Motor Support, rubber front	7	P-9930
2	P-000062	Motor Assembly, 6815, 6855	8	P-0006
2	P-000144	Motor Assembly, 6810	9	P-5960
2	P-2908	Motor Assembly, 6837	10	P-1912
3	P-0035	Carbon Brush Assy, 6815, 6855	11	P-0000
3	P-9834	Carbon Brush Assy, 6810	11	P-0002
3	P-27009	Carbon Brush Assy, 6837	11	P-0001
4	P-0036	Retainer Bracket	12	P-0001
5	P-0037	Screw, retainer bracket	13	P-7805
6	P-99111	Motor Support Rubber, rear		P-0410

Rear Dust Compartment

1	N/A	Dust Compartment, 6810
1	P-000020	Dust Compartment, 6815
1	P-000021	Dust Compartment, 6855, 6837
2	P-000286	Handle Assembly, 6810
2	P-000018	Handle Assembly, 6815, 6855, 6837
3	P-7035	Upper Cord Hook
4	P-000048	Screw, handle
5	P-8972	Suction Inlet Cover
6	P-9894	Packing, suction inlet
7	P-0648	Hose Assembly, w/ air inlet

