

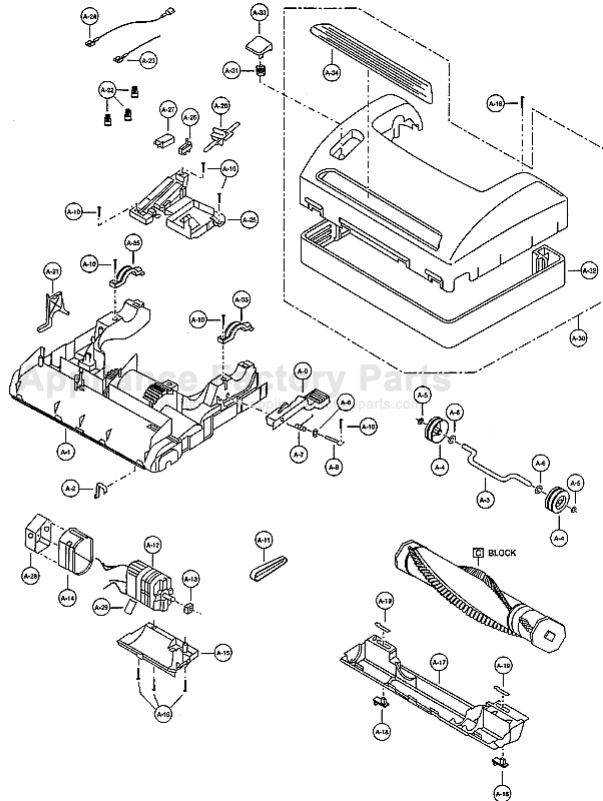
This Owner's Manual is provided and hosted by [Appliance Factory Parts](#).



# PANASONIC 9901 Owner's Manual

[Shop genuine replacement parts for PANASONIC 9901](#)

## Power Nozzle and Agitator Assembly



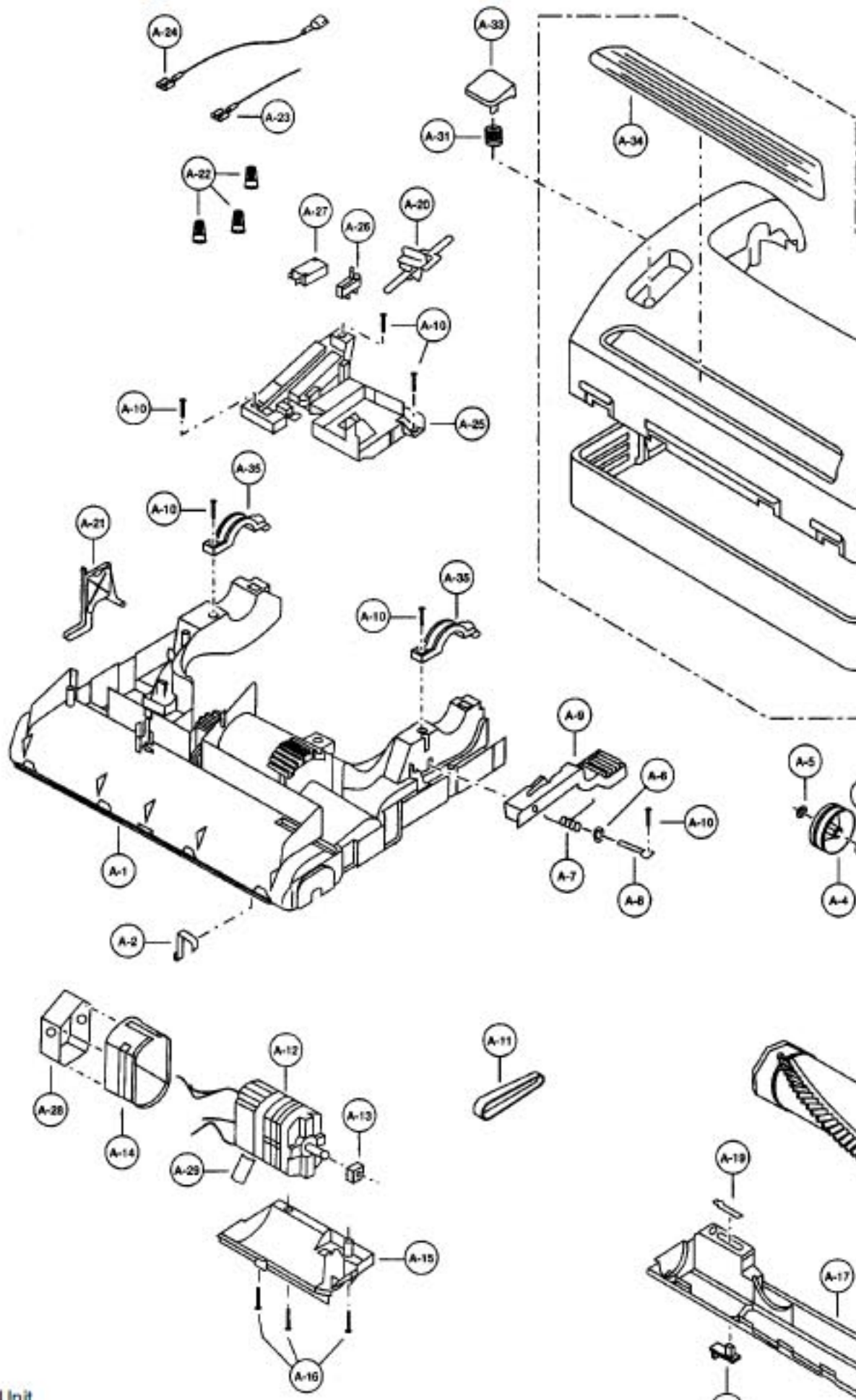
[Find Your PANASONIC Vacuum Cleaner Parts - Select From 605 Models](#)

----- Manual continues below -----

# PANASONIC

Models: MC-9901

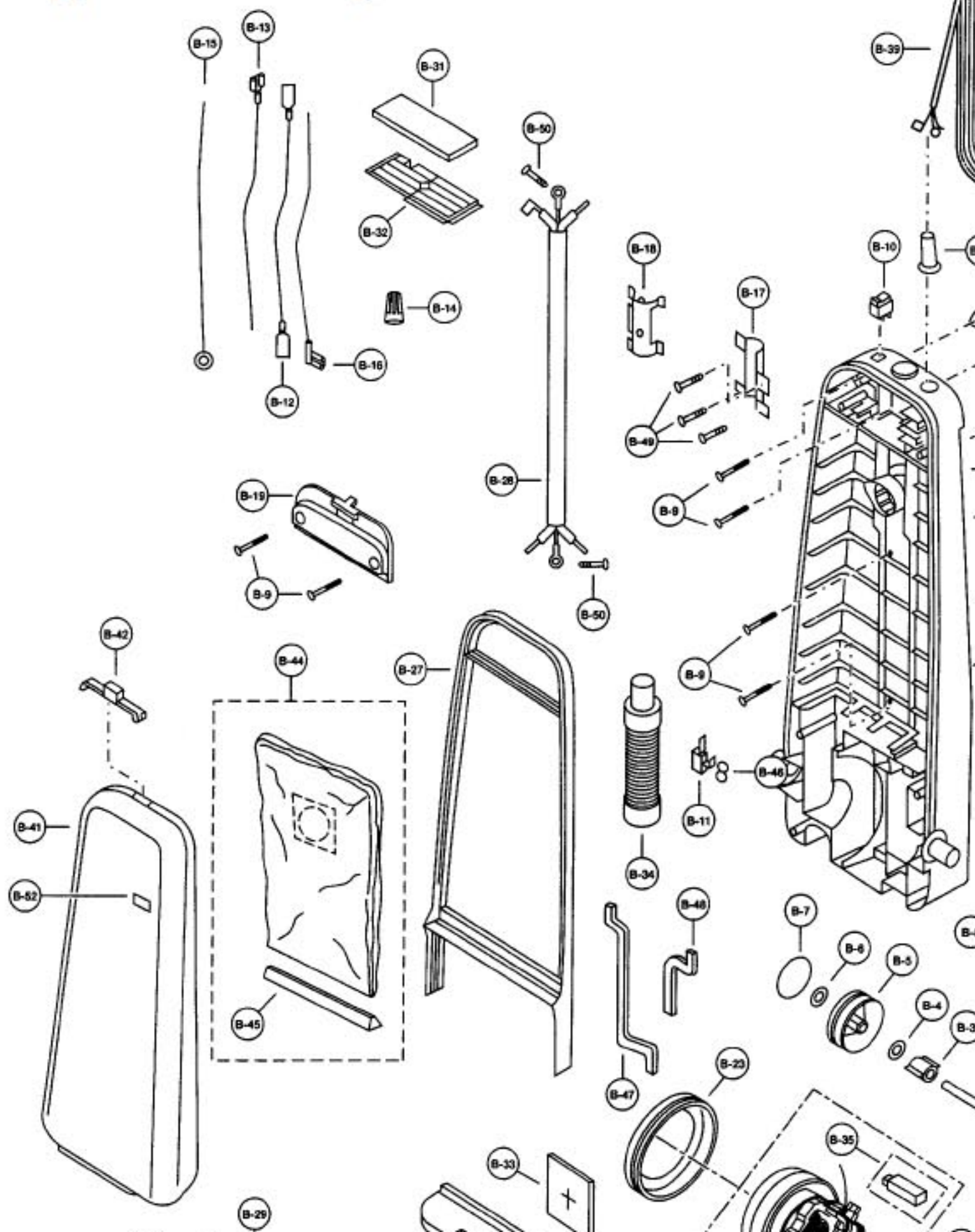
## Power Nozzle and Agitator Assembly



# PANASONIC

Models: MC-9901

## Body, Motor Housing and Motor



# PANASONIC

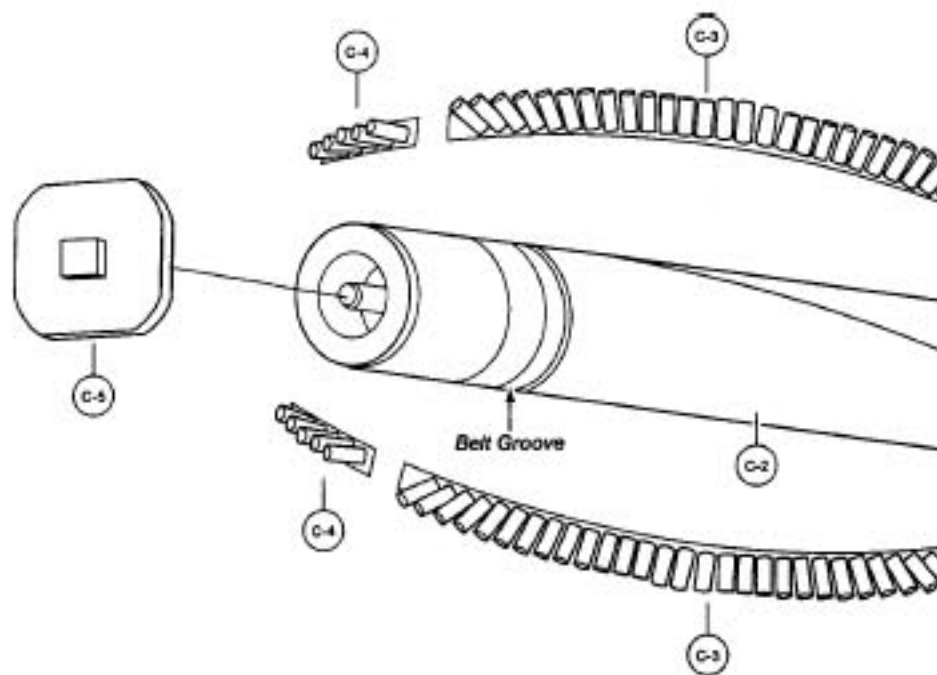
Models: MC-9901

|    |          |                      |
|----|----------|----------------------|
| 1  | P-4007   | Dust Compartment     |
| 2  | P-04005  | Wheel Shaft, rear    |
| 3  | P-31009  | Plastic Bearing      |
| 4  | P-681384 | Washer               |
| 5  | P-6009   | Wheel, rear          |
| 6  | P-681689 | Spring, round, 5/16" |
| 7  | P-5006   | Label, wheel         |
| 8  | P-7700   | Cover, rear wheel    |
| 9  | P-6140   | Screw                |
| 10 | P-10602  | Switch, on/off       |
| 11 | P-0696   | Switch, on/off       |
| 12 | P-4109   | Lead Wire, blue      |
| 13 | P-3809   | Lead Wire, black     |
| 14 | P-000623 | Wire Nut             |
| 15 | P-3909   | Ground Wire, green   |
| 16 | P-4409   | Lead Wire, black     |
| 17 | P-6930   | Fitting, handle      |
| 18 | P-5109   | Handle Supporter     |

|    |         |                       |
|----|---------|-----------------------|
| 19 | P-03106 | Switch Cover          |
| 20 | P-92109 | Motor                 |
| 21 | P-4209  | Wire, white           |
| 22 | P-99300 | Noise Suppressor      |
| 23 | P-24    | Support Motor, front  |
| 24 | P-3009  | Support Motor, rear   |
| 25 | P-93033 | Plastic Cover, motor  |
| 26 | P-09107 | Motor Cover, front    |
| 27 | P-3106  | Bumper                |
| 28 | P-3709  | Wire Cord             |
| 29 | P-3780  | Filter                |
| 30 | P-41107 | Cover, front filter   |
| 31 | P-3010  | Filter, secondary     |
| 32 | P-3209  | Filter Supporter      |
| 33 | P-3890  | Filter, exhaust       |
| 34 | P-9406  | Hose Assembly, short  |
| 35 | P-0035  | Brush Assembly, motor |
| 36 | P-6407  | Carrying Handle       |

|    |      |
|----|------|
| 37 | P-38 |
| 38 | P-43 |
| 39 | P-94 |
| 40 | P-51 |
| 41 | P-6  |
| 42 | P-13 |
| 43 | P-73 |
| 44 | P-01 |
| 45 | P-23 |
| 46 | P-15 |
| 47 | P-41 |
| 48 | P-39 |
| 49 | P-61 |
| 50 | P-48 |
| 51 | P-33 |
| 52 | P-40 |

## Agitator Assembly



|   |        |                             |
|---|--------|-----------------------------|
| 1 | P-9299 | Agitator Assembly, complete |
| 2 | P-8409 | Agitator Body               |
| 3 | P-7809 | Brush, long                 |
| 4 | P-7909 | Brush, short                |
| 5 | P-9906 | Bearing Unit                |

## Handle, Hose & Attachments

