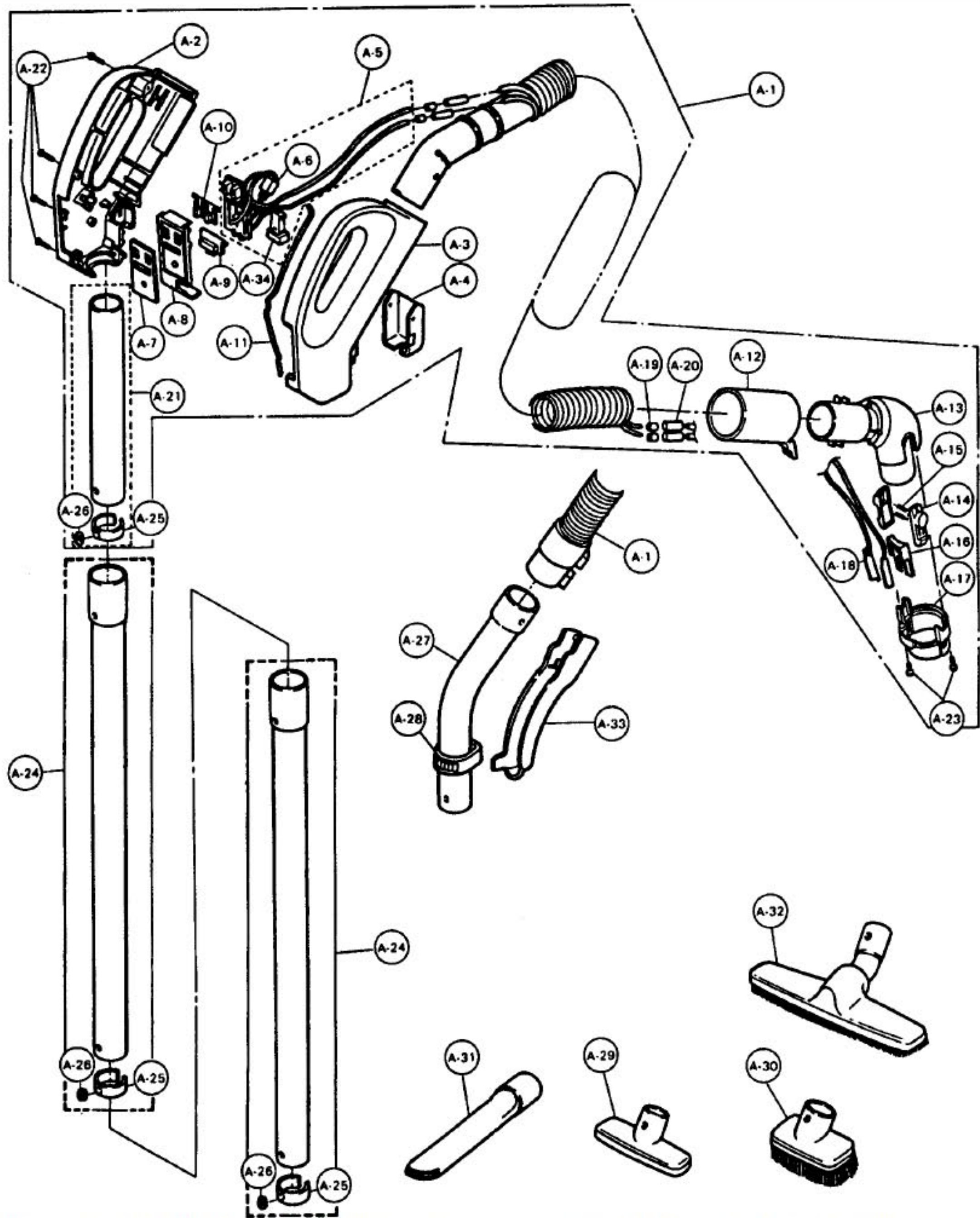


Models: MC-9510, MC-9520, MC-9527, MC-9530, MC-9540

Attachments

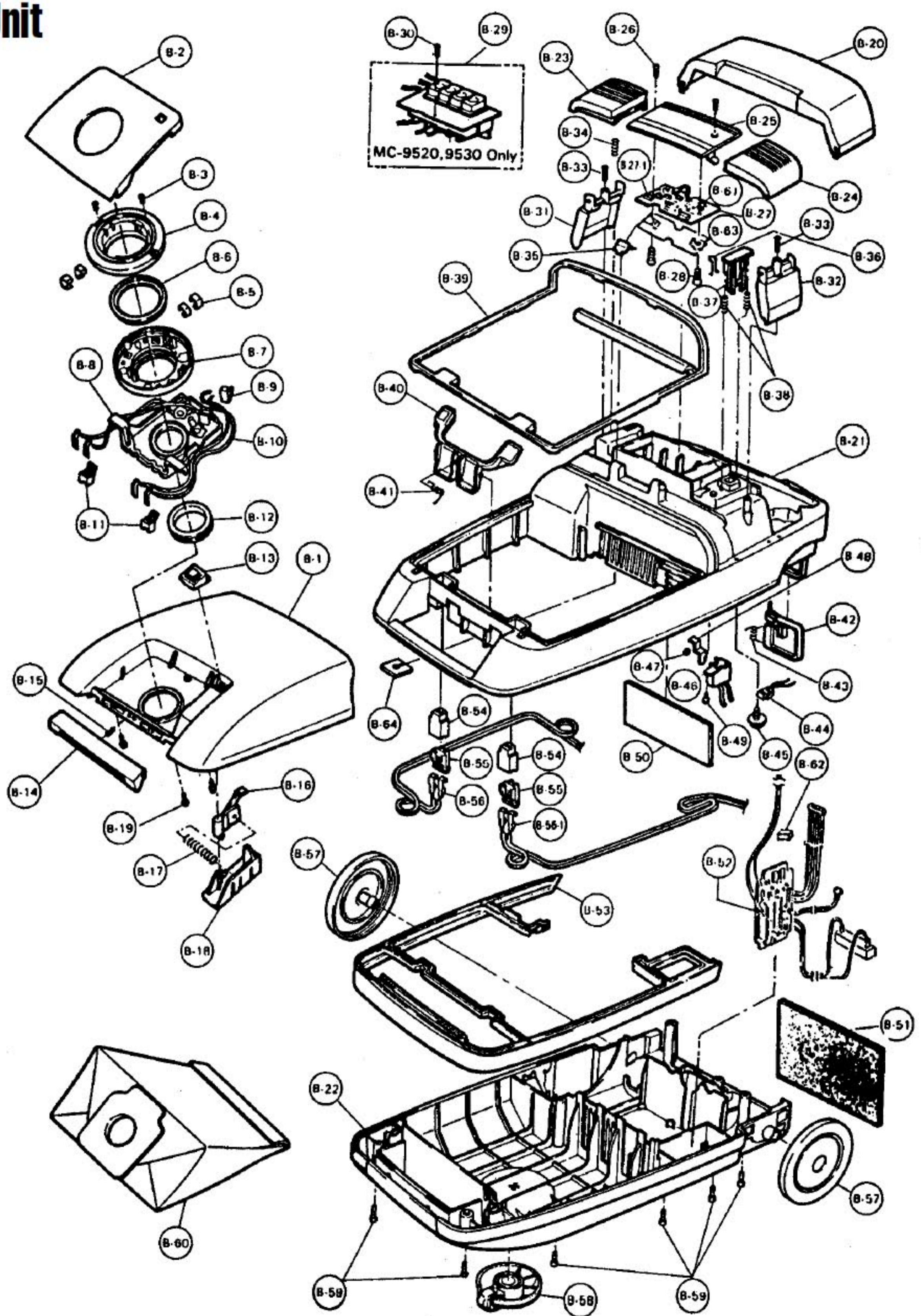


A1 P-9440 Hose Assembly, 9510,9520,9530
 A1 P-000292 Hose Assembly, 9527
 A1 P-9441 Hose Assembly, 9540
 A2 P-000293 Handle Grip, right, 9527
 A2 P-194 Handle Grip, right, 9540
 A3 P-000294 Handle Grip, left, 9527
 A3 P-2040 Handle Grip, left, 9540
 A4 P-000295 Grip Cover, 9527
 A4 P-6240 Grip Cover, 9540
 A5 P-884 P.C.B. Unit, 9540
 A6 P-0140 Sub-Switch, on/off, 9540
 A7 P-000296 Ornamental Plate, 9527
 A7 P-934 Control Plate, 9540
 A8 P-000297 Cover, 9527
 A8 P-034 Switch Cover, 9540
 A9 P-054 Button, on/off switch, 9540

A10 P-044 Control Button, 9540
 A11 P-59 Wire, ground, 9527, 9540
 A12 P-234 Hose Holder
 A12 P-00012 Hose Holder, 9527
 A13 P-274 Connector Unit Body
 A13 P-00013 Connector Unit Body, 9527
 A14 P-1040 Connection Button
 A14 P-00014 Connection Button, 9527
 A15 P-0329 Spring, connection button
 A16 P-294 Terminal Holder
 A17 P-484 Connection Cover
 A17 P-00016 Connection Cover, 9527
 A18 P-9442 Terminal, w/ lead wire
 A20 P-2941 Insulation Tube
 A20 P-000315 Insulation Tube, 9527
 A21 P-984 Wand, short

A22 P-416 Screw, hose grip, 10 pk
 A23 P-3514 Screw, connection cover
 A24 P-994 Extension Wand
 A25 P-9274 Spring, w/ button
 A26 P-614 Packing
 A27 P-9840 Wand, curved
 A28 P-542 Suction Regulator
 A29 P-864 Upholstery Brush
 A30 P-882 Dusting Brush
 A31 P-6073 Crevice Tool
 A32 P-9974 Floor and Wall Brush
 A33 P-164 Grip Cover
 A34 N/A Power Head Connector
 A34 N/A Power Head Connector, 9527

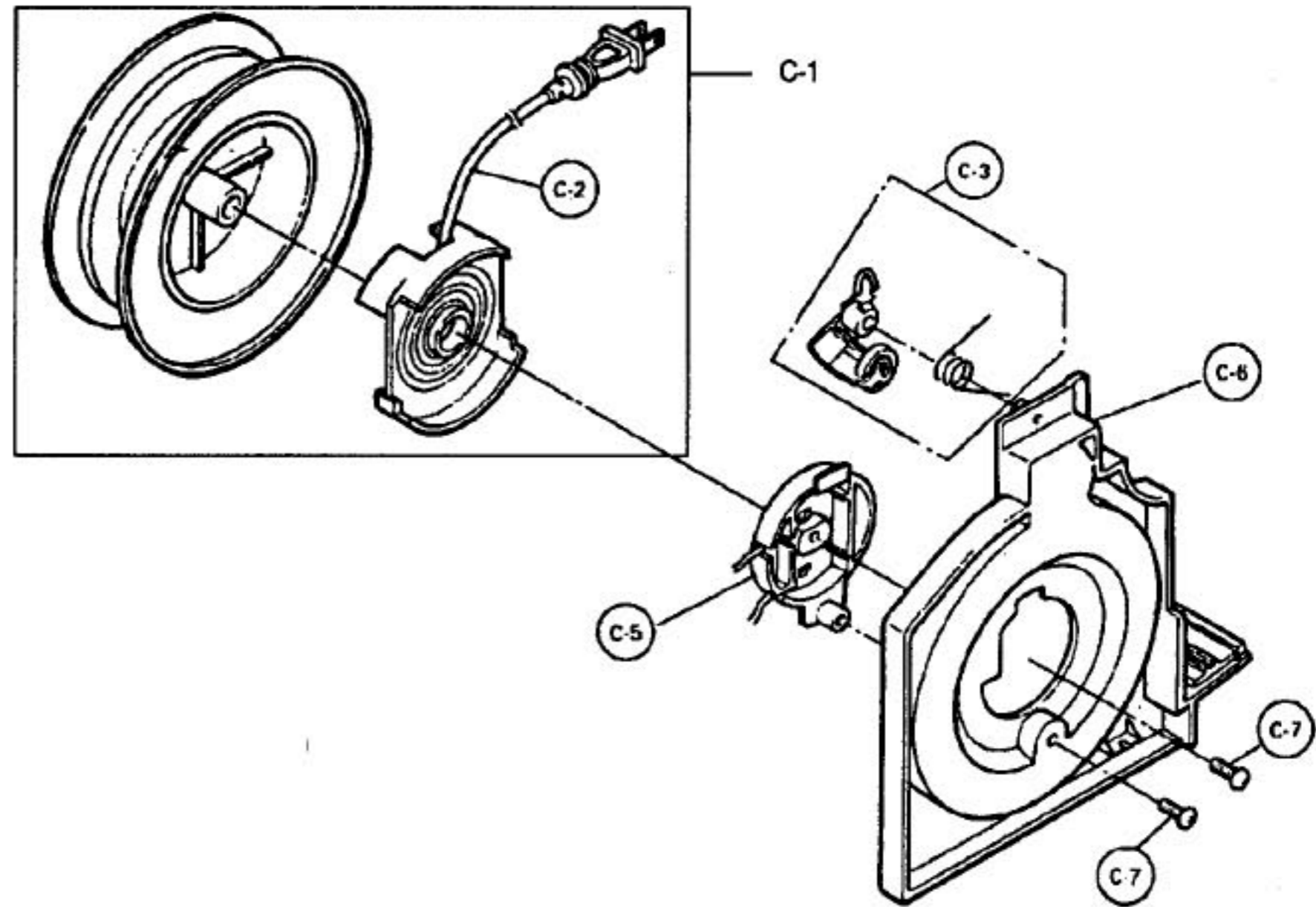
Body Unit



Models: MC-9510, MC-9520, MC-9527, MC-9537, MC-9530, MC-9540

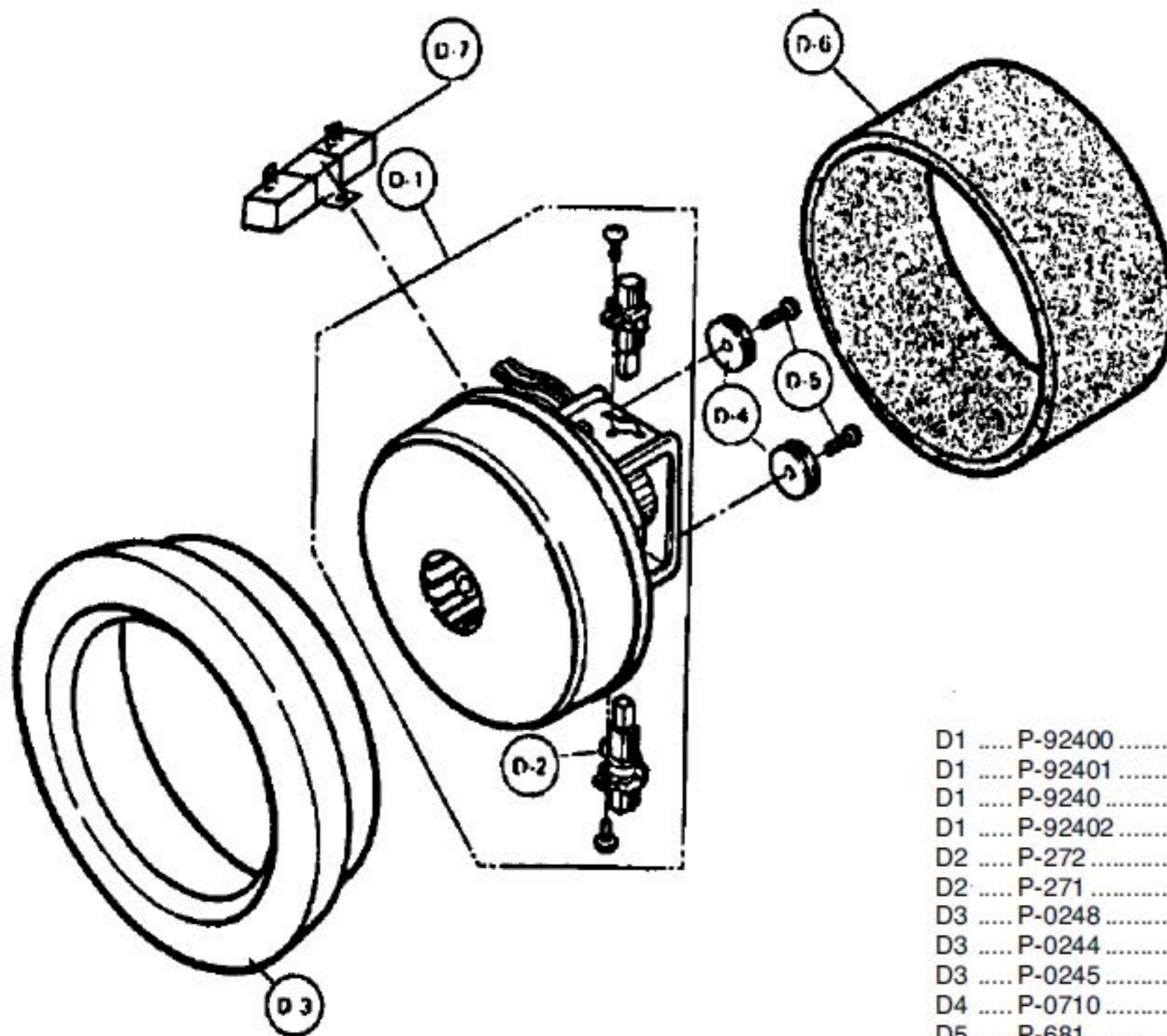
B1	P-6042	Dust Cover		
B1	P-00024	Dust Cover, 9527, 9537		
B2	P-255	Front Cover		
B2	P-00025	Front Cover, 9527, 9537		
B3	P-13143	Screw, connection upper		
B4	P-6043	Connection Upper		
B4	N/A	Connection Upper, 9527, 9537		
B5	P-354	Terminal, connection upper		
B6	P-644	Rubber, hose fitting		
B7	P-174	Connection Lower		
B7	P-00029	Connection Lower, 9527, 9537		
B8	P-3941	Contact Base		
B8	P-00030	Contact Base, 9527, 9537		
B9	P-3242	Sub-Switch, on / off		
B10 ..	P-9341	Terminal, w/ lead wire		
B11 ..	P-454	Holder, terminal		
B11 ..	P-00031	Holder, terminal, 9527		
B12 ..	P-1940	Dust Bag Fitting, rubber		
B13 ..	P-084	Window, 9510,9520,9527,9530 9537		
	P-0841	Front Cover Lid, 9540		
B14 ..	P-0142	Dust Cover Catch		
B14 ..	P-00034	Dust Cover Catch, 9527, 9537		
B15 ..	P-18311	Spring, dust cover catch		
B15 ..	P-000313	Spring, dust cover catch, 9527		
B16 ..	P-0341	Indicator		
B17 ..	P-0441	Spring, indicator, 9510		
B17 ..	P-0442	Spring, indicator		
B18 ..	P-1740	Cover, vac guage		
B18 ..	P-00037	Cover, vac guage, 9527, 9537		
B19 ..	P-418	Screw, dust cover		
B20 ..	P-7441	Tool Storage Cover		
B20 ..	N/A	Tool Storage Cover, 9527, 9537		
B21 ..	P-0242	Upper Body, 9510,9520,9530		
B21 ..	P-00089	Upper Body, 9527, 9537		
B21 ..	P-0243	Upper Body, 9540		
B22 ..	P-9740	Lower Body, w/ furniture guard		
B22 ..	N/A	Lower Body, 9527, 9537		
B23 ..	P-464	Button, cord rewind		
B23 ..	P-00041	Cord Rewind Button, 9527, 9537		
B24 ..	P-0541	Button, on/off switch		
B24 ..	P-00042	Button, on/off switch, 9527, 9537		
B25 ..	N/A	Ornamental Plate, 9510		
B25 ..	P-9242	Ornamental Plate, 9520		
B25 ..	P-000326	Ornamental Plate, 9527		
B25 ..	P-9243	Ornamental Plate, 9530		
B25 ..	P-00043	Ornamental Plate, 9537		
B25 ..	P-9244	Ornamental Plate, 9540		
B26 ..	N/A	Screw, ornamental plate		
B27 ..	P-854	P.C.B., 9540		
B271	P-0206	LED, P.C.B., 9540		
B28 ..	P-38	Screw, P.C.B., sold each, 9540		
B29 ..	P-894	Switch, power control, 9520,9530		
B29 ..	P-00045	Switch, power control, 9527, 9537		
B30 ..	N/A	Screw, power control switch, 9520,9530		
B31 ..	P-4840	Brake Cover		
B31 ..	P-00046	Brake Cover, 9527, 9537		
B32 ..	P-0340	Switch Cover		
B32 ..	P-00047	Switch Cover, 9527, 9537		
B33 ..	N/A	Screw, B31,B32		
B33 ..	P-000327	Screw, B31,B32, 9527		
B34 ..	P-714	Spring, cord rewind button		
B35 ..	P-7140	Leaf Spring		
B36 ..	P-152	Indicator Lever		
B37 ..	P-7442	Spacer, pedal		
B38 ..	P-0842	Spring, pedal spacer		
B39 ..	P-7340	Packing, dust box		
B39 ..	P-000332	Dust Box Packing, 9527		
B40 ..	P-2341	Holder, dust bag		
B40 ..	P-00054	Dust Bag Holder, 9527, 9537		
B41 ..	P-4640	Spring, dust bag holder		
B42 ..	P-2942	Blower Cover		
B42 ..	P-00056	Blower Cover, 9527, 9537		
B43 ..	P-3341	Spring, blower cover		
B44 ..	P-1682	Blower Switch		
B45 ..	P-384	Screw, blower switch		
B46 ..	P-9841	Switch, on / off		
B47 ..	P-04	Push Nut		
B47 ..	P-000331	Push Nut, 9527		
B48 ..	P-9340	Switch Indicator		
B49 ..	P-3874	Screw, on / off switch		
B50 ..	P-3040	Filter, rear		
B51 ..	P-3041	Filter, 9510, 9520, 9527		
B51 ..	P-3042	Filter, 9530, 9537, 9540		
B52 ..	P-8940	P.C.B., 9540		
B53 ..	P-314	Furniture Guard		
B53 ..	P-00062	Furniture Guard, 9527, 9537		
B54 ..	P-3943	Terminal Holder		
B54 ..	P-00063	Terminal Holder, 9527, 9537		
B55 ..	P-774	Mounting Terminal Plate		
B55 ..	P-00064	Mounting Terminal Plate, 9527/37		
B56 ..	N/A	Terminal, w/ lead wire, 9510, 9520, 9527, 9530, 9537		
B561	P-674	Terminal, w/ lead wire, 9540		
B57 ..	P-9910	Wheel		
B57 ..	P-00066	Wheel, 9527, 9537		
B58 ..	P-9511	Caster		
B59 ..	P-418	Screw, lower body		
B60 ..	P-125P	Paper Bag, type "C", 3 pack		
B60 ..	P-125PT	Paper Bag, type "C", 12 pack		
B61 ..	P-0401	LED, vac guage, 9540		
B62 ..	P-814	Packing, 9540		
B63 ..	P-2342	Insulation Plate, 9540		
B64 ..	P-115	Packing, upper body, 9520, 9527,9530, 9540		
B65 ..	P-98400	Thermo Protector, 9520,9527,9530,9537		

Cord Reel Unit



- C1 N/A Cord Reel Unit, 9510
- C1 P-9940 Cord Reel Unit, 9520,9530,9540
- C1 P-000334 Cord Reel Unit, 9527
- C1 P-00071 Cord Reel Unit, 9537
- C2 P-12399 Power Cord, w/ rail base, 9510
- C2 P-9842 Power Cord, w/ rail base, 9520, 9530,9540
- C2 P-000335 Power Cord, w/ rail base, 9527
- C2 P-00072 Power Cord, w/ rail base, 9537
- C3 P-9443 Brake Lever
- P-000336 Brake Spring, 9527
- C5 P-1941 Contact Base Unit, 9510
- C5 P-1942 Contact Base Unit
- C6 P-0443 Body Partition
- C7 P-416 Screw, C6,C5, 10 pack

Motor Unit

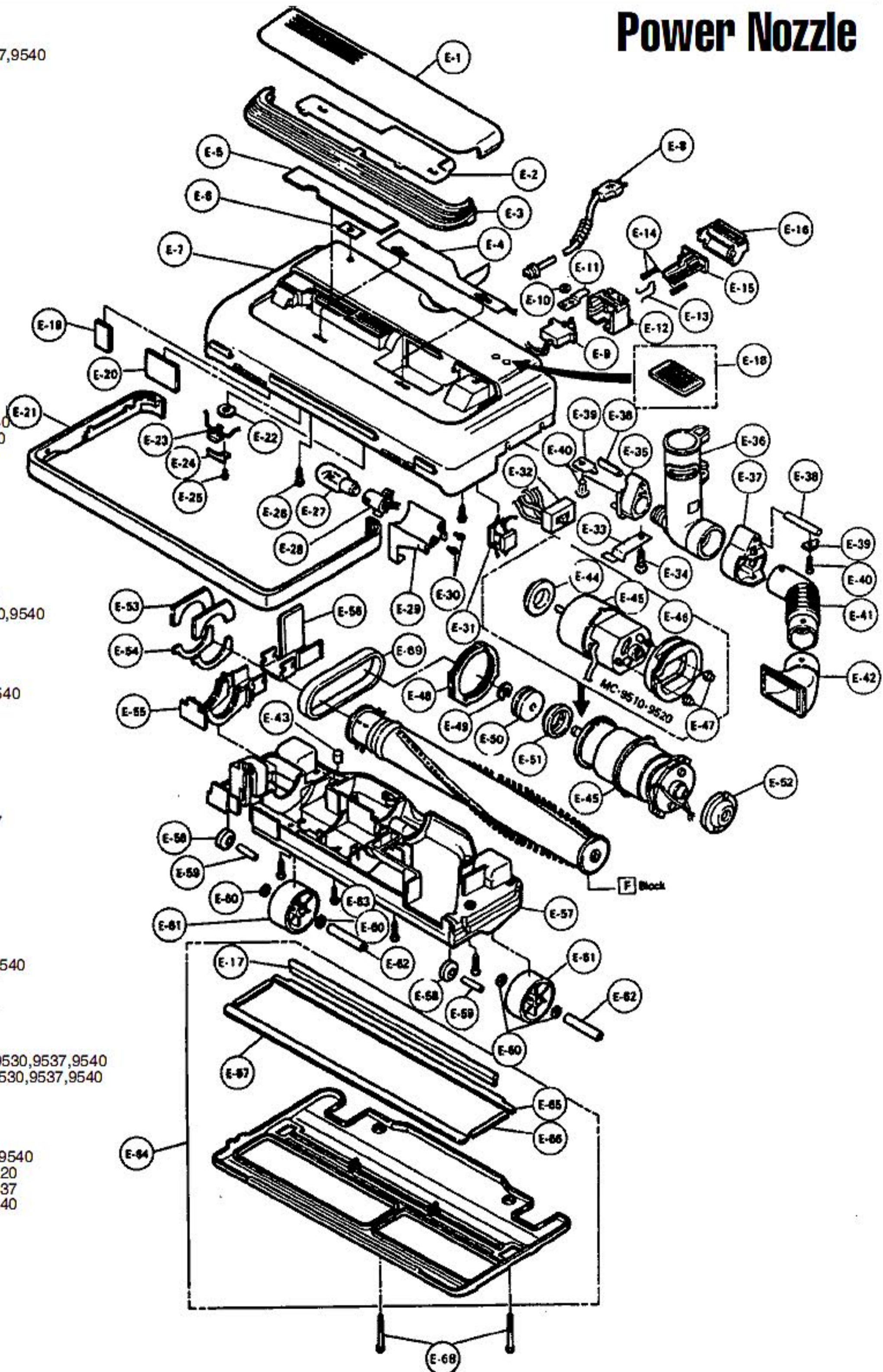


- D1 P-92400 Motor Assy, 9510
- D1 P-92401 Motor Assy, 9520, 9527, 9530
- D1 P-9240 Motor Assy, 9537
- D1 P-92402 Motor Assy, 9540
- D2 P-272 Carbon Brush, 2 used, 9510
- D2 P-271 Carbon Brush, 2 used, 9520,9527,9530,9537,9540
- D3 P-0248 Motor Support, rubber, front, 9510
- D3 P-0244 Motor Support, rubber, front, 9520,9527,9530,9537
- D3 P-0245 Motor Support, rubber, front, 9540
- D4 P-0710 Motor Support, rubber, rear
- D5 P-681 Screw
- D6 P-9941 Noise Suppressor
- D7 P-1950 1-2K Fixed Resistor, 9540

Models: MC-9510, MC-9520, MC-9527, MC-9537, MC-9530, MC-9540

Power Nozzle

- E1 P-2440 Cover, power head, 9510
- E1 P-2441 Cover, power head, 9520
- E1 P-000337 Cover, power head, 9527
- E1 P-2442 Cover, power head, 9530,9537,9540
- E2 P-844 Reflector Plate, upper
- E3 P-2141 Cover, window, 9510,9520
- E3 P-2142 Window, 9530,9540
- E3 P-00083 Window, 9537
- E4 P-8640 Reflector Plate, lower
- E5 P-344 Filter, upper
- E6 P-4641 Label, 9530,9540
- E7 P-0246 Body, 9510
- E7 P-02471 Body, 9520
- E7 P-952 Body, 9527
- E7 P-0247 Body, 9530,9540
- E7 P-00087 Body, 9537
- E8 P-394 Cord Unit
- E8 P-9505 Cord Unit, 9527,9540
- E9 P-9843 Switch, on/off
- E10 P-04 Push Nut, 9520,9530,9540
- E10 P-000331 Push Nut, 9527
- E11 P-9342 Switch Indicator
- E12 P-0341 Switch Holder
- E12 P-0340 Switch Holder, 9527
- E13 P-152 Lever, switch
- E14 P-0842 Spring, pedal spacer
- E15 P-7442 Spacer, pedal, 9520,9530,9540
- E16 P-0542 Pedal, switch, 9520,9530,9540
- E16 P-00093 Pedal, switch, 9527, 9537
- E17 P-8040 Nozzle Rubber
- E18 P-424 Cover, pedal, 9510
- E19 P-3342 Filter, side
- E20 P-374 Filter, front
- E21 P-104 Furniture Guard
- E21 P-00097 Furniture Guard, 9527, 9537
- E22 P-0444 Button, protector, 9530,9540
- E23 P-9844 Thermo Protector, 9530,9540
- E24 P-1943 Protector Support, 9530,9540
- E25 P-38 Screw, protector support, 9530,9540
- E26 P-418 Screw, lower power nozzle
- E27 P-2810 Bulb
- E28 P-9343 Lamp Holder
- E29 P-8541 Partition Plate
- E30 P-12392 Screw, partition plate, 9530,9540
- E30 P-0013 Screw, partition plate, 9527
- E31 P-874 P.C.B.
- E32 P-8941 Reverse Switch
- E33 P-7040 Leaf Spring
- E34 P-416 Screw, leaf spring, 10 pk
- E35 P-9845 Pipe Insert, right
- E36 P-784 Wand Connection
- E36 P-00005 Wand Connection, 9527, 9537
- E37 P-474 Pipe Insert, left
- E38 P-524 Shaft, pipe insert
- E39 P-7444 Stopper
- E40 P-416 Screw, stopper, 10 pk
- E41 P-3440 Nozzle Hose
- E42 P-4041 Nozzle Pipe
- E44 P-1440 Motor Support, rubber, front
- E45 P-0143 Motor Assembly, 9510,9520
- E45 P-0144 Motor Assembly, 9530,9537,9540
- E46 P-1641 Motor Support, rubber, center
- E47 P-154 Motor Support, rubber, rear
- E48 P-1642 Motor Support, rubber, center
- E49 P-05 E-Clip, 30 pk
- E50 P-3043 Motor Pulley
- E51 P-1441 Motor Support, rubber, front, 9530,9537,9540
- E52 P-1540 Motor Support, rubber, rear, 9530,9537,9540
- E53 P-8141 Tight Packing
- E54 P-7541 Packing, belt cover
- E55 P-594 Belt Cover
- E55 P-000014 Belt Cover, 9527,9537
- E56 P-574 Belt Cover, metal, 9530,9537,9540
- E57 P-0342 Lower Power Nozzle, 9510,9520
- E57 P-000016 Lower Power Nozzle, 9527,9537
- E57 P-0343 Lower Power Nozzle, 9530,9540
- E58 P-909 Roller, power nozzle
- E58 P-90900 Roller, power nozzle, 9527
- E59 P-3930 Shaft, roller
- E59 P-3931 Shaft, roller, 9527
- E61 P-1001 Roller, large
- E61 P-000019 Roller, large, 9527,9537
- E62 P-1643 Shaft, large roller
- E63 P-418 Screw, lower power nozzle
- E64 P-914 Bottom Plate Unit
- E65 P-7445 Packing, rear
- E66 P-3944 Packing, side
- E67 P-1944 Packing, front
- E68 P-12428 Screw, bottom plate
- E69 P-280 Belt, type "CB", 2 pack, 9510,9537,9520
- E69 P-226 Belt, type "CB1", sold each, 9530,9540



- E70 P-6201 Bushing
- E71 P-514 Partition Plate, 9530,9540

For Brush Roll Parts, see MC-9400 Series Agitator