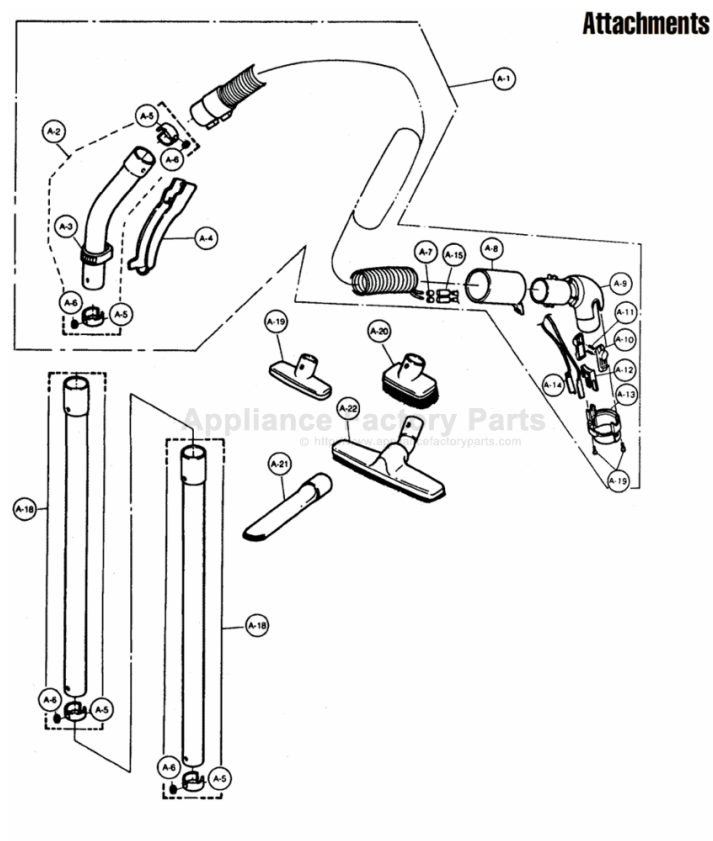


This Owner's Manual is provided and hosted by Appliance Factory Parts.



PANASONIC 9537 Owner's Manual

[Shop genuine replacement parts for PANASONIC 9537](#)



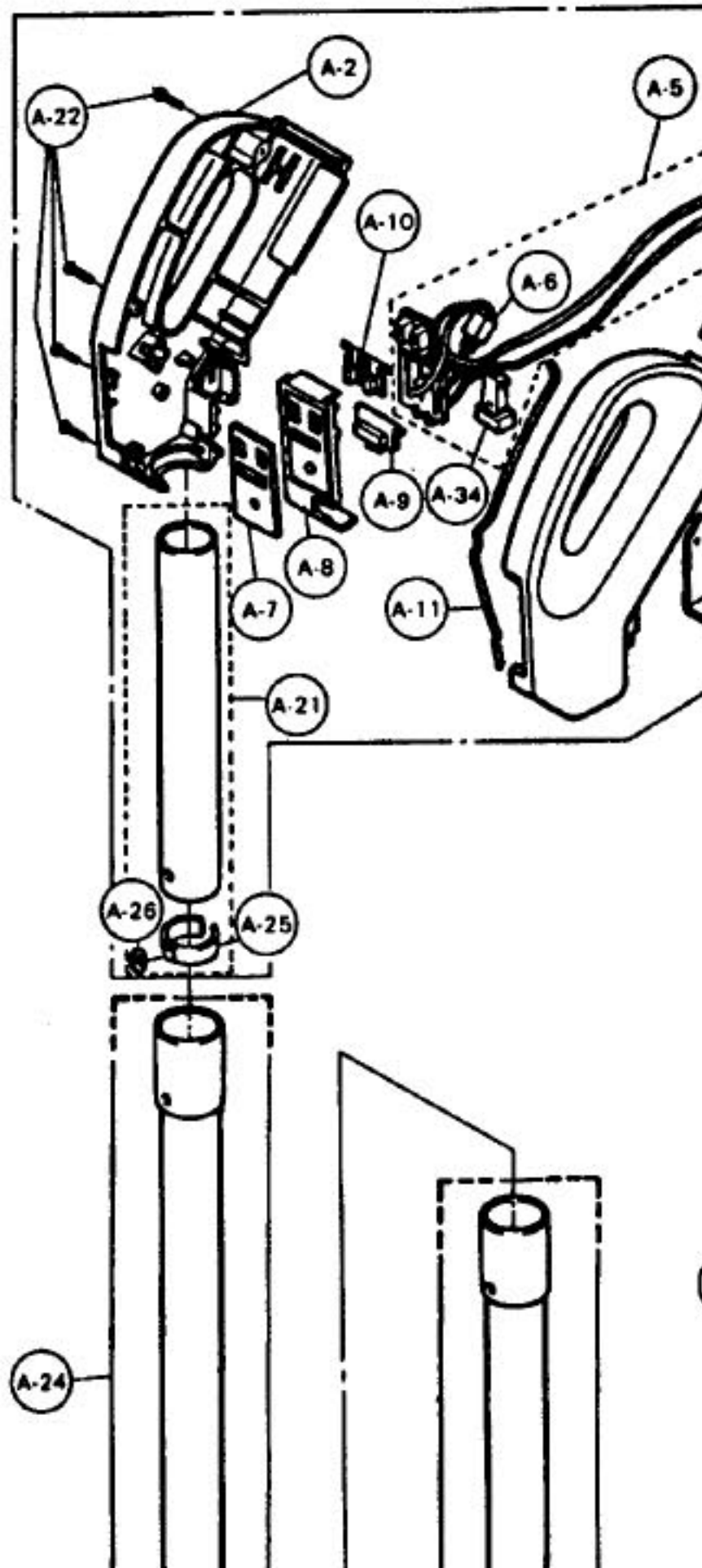
[Find Your PANASONIC Vacuum Cleaner Parts - Select From 605 Models](#)

----- Manual continues below -----

PANASONIC

Models: MC-9510, MC-9520, MC-9527, MC-9530, MC-9

Attachments



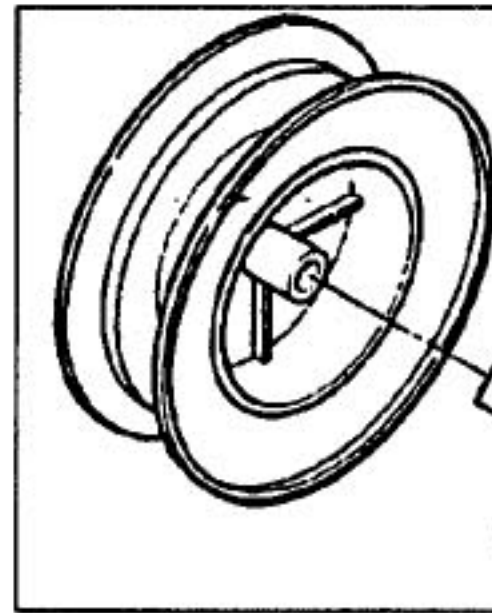
PANASONIC

Models: MC-9510, MC-9520, MC-9527, MC-9537, MC-

| | | | |
|---------|----------|-------|----------------------------------|
| B1 | P-6042 | | Dust Cover |
| B1 | P-00024 | | Dust Cover, 9527, 9537 |
| B2 | P-255 | | Front Cover |
| B2 | P-00025 | | Front Cover, 9527, 9537 |
| B3 | P-13143 | | Screw, connection upper |
| B4 | P-6043 | | Connection Upper |
| B4 | N/A | | Connection Upper, 9527, 9537 |
| B5 | P-354 | | Terminal, connection upper |
| B6 | P-644 | | Rubber, hose fitting |
| B7 | P-174 | | Connection Lower |
| B7 | P-00029 | | Connection Lower, 9527, 9537 |
| B8 | P-3941 | | Contact Base |
| B8 | P-00030 | | Contact Base, 9527, 9537 |
| B9 | P-3242 | | Sub-Switch, on / off |
| B10 .. | P-9341 | | Terminal, w/ lead wire |
| B11 .. | P-454 | | Holder, terminal |
| B11 .. | P-00031 | | Holder, terminal, 9527 |
| B12 .. | P-1940 | | Dust Bag Fitting, rubber |
| B13 .. | P-084 | | Window, 9510,9520,9527,9530 9537 |
| | P-0841 | | Front Cover Lid, 9540 |
| B14 .. | P-0142 | | Dust Cover Catch |
| B14 .. | P-00034 | | Dust Cover Catch, 9527, 9537 |
| B15 .. | P-18311 | | Spring, dust cover catch |
| B15 .. | P-000313 | | Spring, dust cover catch, 9527 |
| B16 .. | P-0341 | | Indicator |
| B17 .. | P-0441 | | Spring, indicator, 9510 |
| B17 .. | P-0442 | | Spring, indicator |
| B18 .. | P-1740 | | Cover, vac guage |
| B18 .. | P-00037 | | Cover, vac guage, 9527, 9537 |
| B19 .. | P-418 | | Screw, dust cover |
| B20 .. | P-7441 | | Tool Storage Cover |
| B20 .. | N/A | | Tool Storage Cover, 9527, 9537 |
| B21 .. | P-0242 | | Upper Body, 9510,9520,9530 |
| B21 .. | P-00089 | | Upper Body, 9527, 9537 |

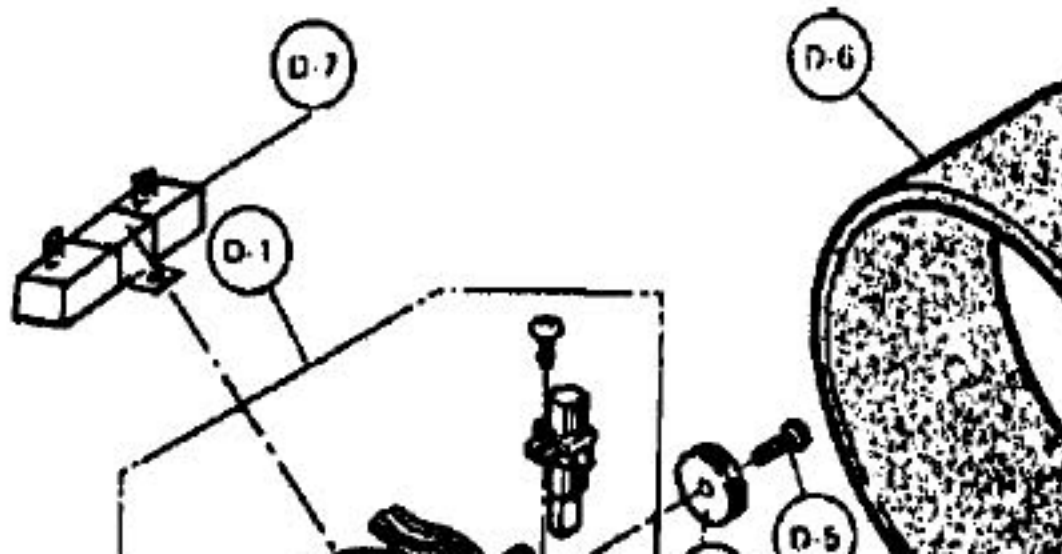
B31
B32
B32
B33
B33
B34
B35
B36
B37
B38
B39
B39
B40
B40
B41
B42
B42
B43
B44
B45
B46
B47
B47
B48
B49
B50
B51
B51
B52
B53
B53
B54
B54

Cord Reel Unit



- C1 N/A Cord Reel Unit, 9510
- C1 P-9940 Cord Reel Unit, 9520,9530,9540
- C1 P-000334 Cord Reel Unit, 9527
- C1 P-00071 Cord Reel Unit, 9537
- C2 P-12399 Power Cord, w/ rail base, 9510
- C2 P-9842 Power Cord, w/ rail base, 9520,
9530,9540
- C2 P-000335 Power Cord, w/ rail base, 9527
- C2 P-00072 Power Cord, w/ rail base, 9537
- C3 P-9443 Brake Lever
- P-000336 Brake Spring, 9527
- C5 P-1941 Contact Base Unit, 9510
- C5 P-1942 Contact Base Unit
- C6 P-0443 Body Partition
- C7 P-416 Screw, C6,C5, 10 pack

Motor Unit



PANASONIC

Models: MC-9510, MC-9520, MC-9527, MC-9537, MC-9540

| | | |
|-----|----------|-------------------------------------|
| E1 | P-2440 | Cover, power head, 9510 |
| E1 | P-2441 | Cover, power head, 9520 |
| E1 | P-000337 | Cover, power head, 9527 |
| E1 | P-2442 | Cover, power head, 9530,9537,9540 |
| E2 | P-844 | Reflector Plate, upper |
| E3 | P-2141 | Cover, window, 9510,9520 |
| E3 | P-2142 | Window, 9530,9540 |
| E3 | P-00083 | Window, 9537 |
| E4 | P-8640 | Reflector Plate, lower |
| E5 | P-344 | Filter, upper |
| E6 | P-4641 | Label, 9530,9540 |
| E7 | P-0246 | Body, 9510 |
| E7 | P-02471 | Body, 9520 |
| E7 | P-952 | Body, 9527 |
| E7 | P-0247 | Body, 9530,9540 |
| E7 | P-00087 | Body, 9537 |
| E8 | P-394 | Cord Unit |
| E8 | P-9505 | Cord Unit, 9527,9540 |
| E9 | P-9843 | Switch, on/off |
| E10 | P-04 | Push Nut, 9520,9530,9540 |
| E10 | P-000331 | Push Nut, 9527 |
| E11 | P-9342 | Switch Indicator |
| E12 | P-0341 | Switch Holder |
| E12 | P-0340 | Switch Holder, 9527 |
| E13 | P-152 | Lever, switch |
| E14 | P-0842 | Spring, pedal spacer |
| E15 | P-7442 | Spacer, pedal, 9520,9530,9540 |
| E16 | P-0542 | Pedal, switch, 9520,9530,9540 |
| E16 | P-00093 | Pedal, switch, 9527, 9537 |
| E17 | P-8040 | Nozzle Rubber |
| E18 | P-424 | Cover, pedal, 9510 |
| E19 | P-3342 | Filter, side |
| E20 | P-374 | Filter, front |
| E21 | P-104 | Furniture Guard |
| E21 | P-00097 | Furniture Guard, 9527, 9537 |
| E22 | P-0444 | Button, protector, 9530,9540 |
| E23 | P-9844 | Thermo Protector, 9530,9540 |
| E24 | P-1943 | Protector Support, 9530,9540 |
| E25 | P-38 | Screw, protector support, 9530,9540 |
| E26 | P-418 | Screw, lower power nozzle |
| E27 | P-2810 | Bulb |
| E28 | P-9343 | Lamp Holder |
| E29 | P-8541 | Partition Plate |
| E30 | P-12392 | Screw, partition plate, 9530,9540 |
| E30 | P-0013 | Screw, partition plate, 9527 |
| E31 | P-874 | P.C.B. |
| E32 | P-8941 | Reverse Switch |
| E33 | P-7040 | Leaf Spring |
| E34 | P-416 | Screw, leaf spring, 10 pk |
| E35 | P-9845 | Pipe Insert, right |
| E36 | P-784 | Wand Connection |
| E36 | P-00005 | Wand Connection, 9527, 9537 |
| E37 | P-474 | Pipe Insert, left |

