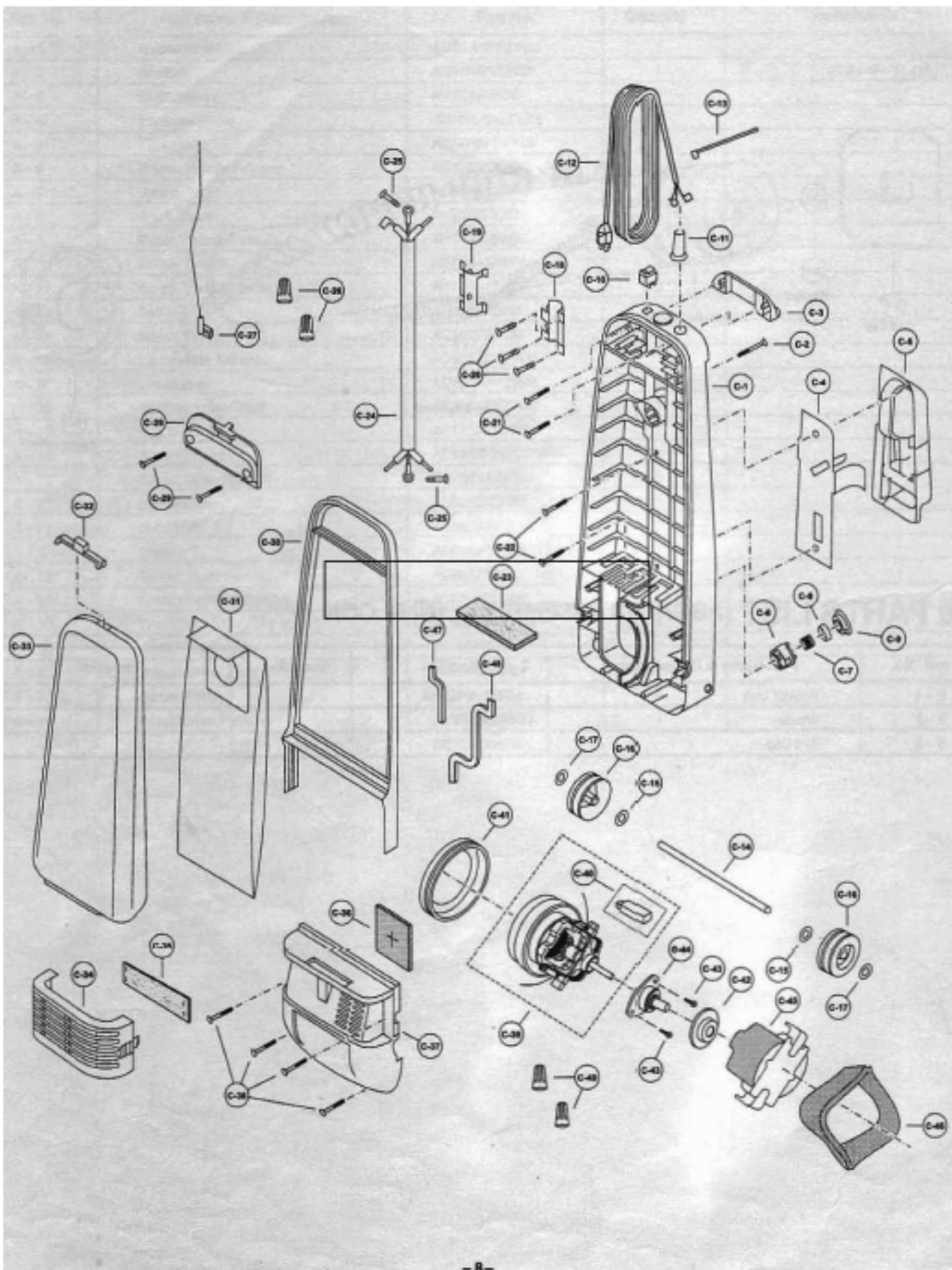


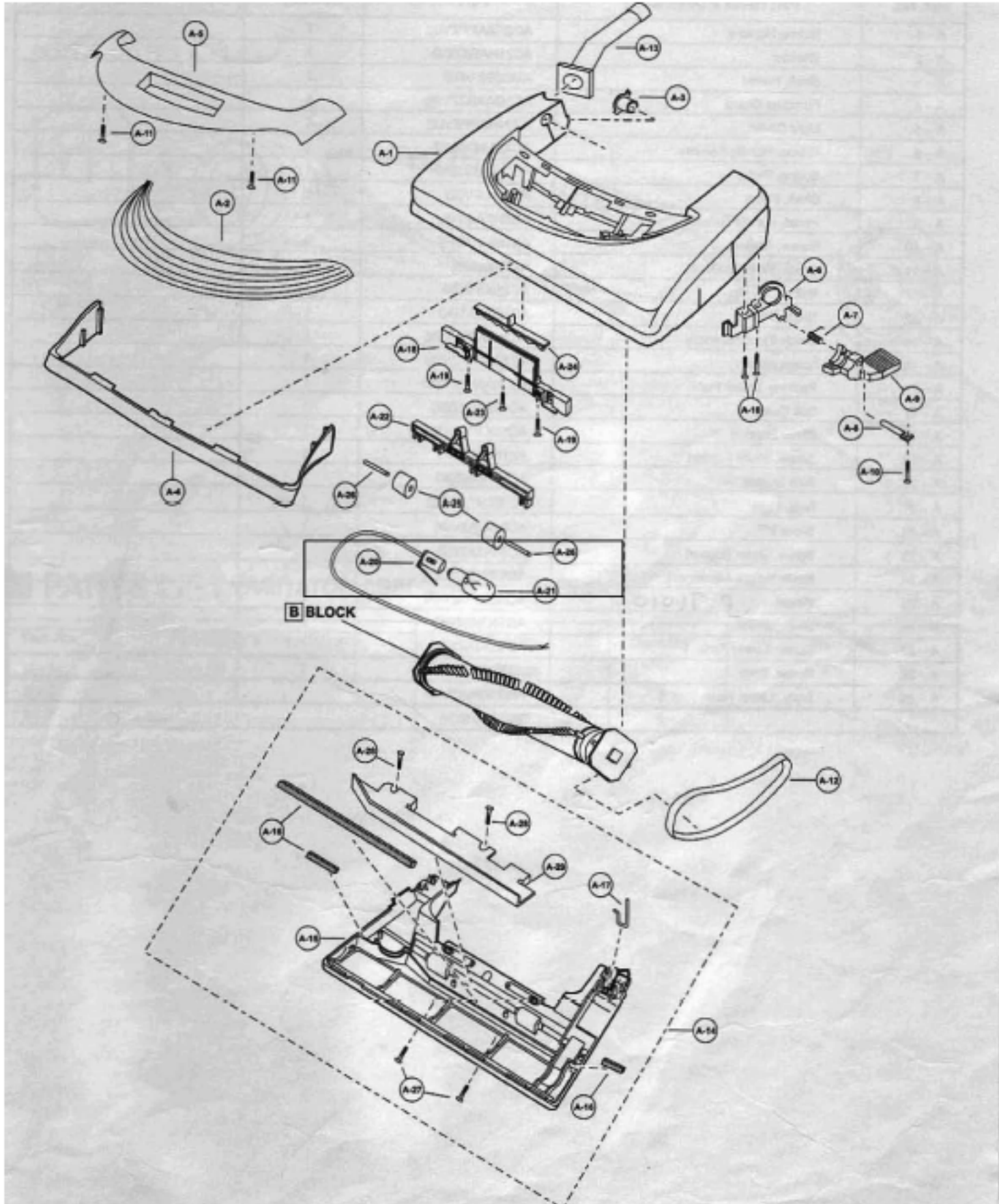
EXPLODED VIEW (BODY, MOTOR HOUSING, AND MOTOR)... CBLOCK



PARTS LIST (BODY, MOTOR HOUSING, AND MOTOR)... [C] BLOCK

Ret. No.	Part Name & Description	Part No.	Quantity	Remarks
C - 1	Dust Compartment	AC40KAGZZU01	1	Includes C-47 and C48Packing
C - 2	Screw, Handle	AMC73B-V30	1	
C - 3	Carry Handle	ACS4BYUZU01	1	
C - 4	Support Plate	AC43RYUZV07	1	
C - 5	Tool Holder	AC36PYUZU01	1	
C - 6	Protector Case	AC6BKJMZV06	1	
C - 7	Spring, Protector, (Blue)	AC70KAHH ZB00	1	
C - 8	Protector	AC69KJMZV06	1	
C - 9	Protector Supporter	AC18MJMZV06	1	
C - 10	Switch, On-Off	AMC01EYVZV06	1	
C - 11	Rubber Protector	AC51E4GZU01	1	
C - 12	Power Cord, (50 FL)	AC94EAPPZU00	1	
C - 13	Wire Tie	AMC596-702	1	
C - 14	Shaft, Wheel	AC16CUSZ00	1	
C - 15	Washer, Wheel	AXWG6E115FY	2	
C - 16	Wheel	AC01CV0ZV06	2	Qty 2
C - 17	Stopper, Wheel	AC74SUSZ00	2	Qty 2
C - 18	Fitting, Handle	AMC69B-V30	1	
C - 19	Supporter, Handle	AMC53B-1LZO0	1	
C - 20	Screw, Handle Supporter	AXTN4+20BFY	3	
C - 21	Screw, Carry Handle	AXTN4+16BFY	2	
C - 22	Screw, Tool Holder	AXTN4+16BFY	2	
C - 23	Filter, Secondary Electrostatic	AC30KAMAZ00	1	
C - 24	Wire Cord	AC37GTCZ00	1	
C - 25	Screw, Grounding	AXYN4+E10FFY	2	
C - 26	Wire Connector, Switch Area	AMC-1CTCE23	2	
C - 27	Lead Wire, (Black)	AC44GTDZU00	1	
C - 28	Switch Cover	AC03EYU1V06	1	
C - 29	Screw, Switch Cover	AXTN4+16BFY	2	
C - 30	Bumper	AC31AYUZV06	1	
C - 31	Dust Bag, (U6)	AC16KJYZ00	1	
C - 32	Release Button, Dust Cover	AC13DYUZV06	1	
C - 33	Dust Cover	AC60KAPPZU01	1	
C - 34	Filter Cover	AC41KYUZV06	1	
C - 35	Filter, Electrostatic Exhaust	AC30KAGZZ00	1	
C - 36	Filter, Motor Case	AC38KYUZV00	1	
C - 37	Motor Case	AC09FAGZZV06	1	
C - 38	Screw, Motor Case	AXTN4+16BFY	4	
C - 39	Motor Assembly	AC92FAPNZ00	1	
C - 40	Carbon Brush, Motor	AC27FRFZ00	1 (Set)	
C - 41	Motor Support, (Front)	AMC02F-E00	1	
C - 42	Motor Support, (Rear)	AC03FAFY200	1	
C - 43	Screw, Motor Flange	AXYN++E10FFY	2	
C - 44	Motor Range	AC25SAFYZ00	1	
C - 45	Motor Cover	AC93FTEZ0U	1	
C - 46	Noise Suppressor	AMC99G-L300X	1	
C - 47	Body Packing, (Left)	AC40AYUZV00	1	
C - 48	Body Packing, (Right)	AC39AYUZV00	1	
C - 49	Wire Connector, Motor Area	AMC-1CTCE23	2	

EXPLODED VIEW (NOZZLE HOUSING)... **A** BLOCK

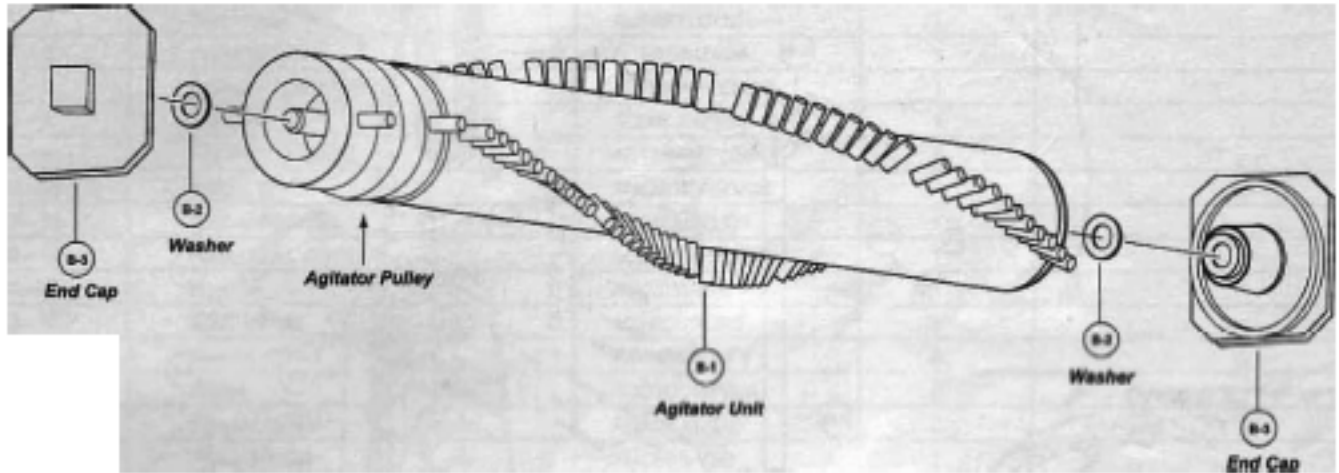


PARTS LIST (NOZZLE HOUSING)... [A] BLOCK

Ref. No.	Part Name & Description	Part No.	Quantity	Remarks
A - 1	Nozzle Housing	AC01AAPPZYU2	1	
A - 2	Window	AC21HAGZZ00	1	f 11 H/lfr
A - 3	Shaft, Plastic	AMC25S-V00	1	
A - 4	Furniture Guard	AC10AAGZZV06	1	
A - 5	Light Cover	AC24HAPPZYU2	1	
A - 6	Frame, Handle Release	AC43AAFY200	1	
A - 7	Spring, Pedal	AC58AAFVZ00	1	
A - 8	Shaft, Pedal	AMC51A-V30	1	
A - 9	Pedal, Handle Release	AMC47A-2V0U	1	
A - 10	Screw, Frame	AXTN4+14BFY		
A - 11	Screw, Window Cover	AXTN4+16BFY		
A - 12	Belt	AC28SJPZ00	1	
A - 13	Nozzle Pipe	AC70SZA100	1	
A - 14	Lower Plate Assembly	AC91AAPPZV06	1	
A - 15	Lower Plate	AC27AAPPZV06	1	
A - 16	Packing, Lower Plate	AC19AAFVZV00	1	
A - 17	Belt Guard	AC43SAFVZ00	1	
A - 18	Slider Support	AC53KJPZW03	1	
A - 19	Screw, Slider Support	AXTN4+16BFY		
A - 20	Bulb Socket	AC93HURZ00	1	
A - 21	Bulb, Light	AC28GADFZ00	1	
A - 22	Slider if*	AC61KJPZV06	1	
A - 23	Screw, Slider Support	AC68AZAZ00	1	
A - 24	Knob, Height Adjustment	AC57HJPZV06	1	
A - 25	Wheel P 0 I G	AC90QNGZV06	2	
A - 26	Shaft, Wheel	AC16CNXZ00	2	
A - 27	Screw, Lower Plate	AC68AZAZ00	2	
A - 28	Screw, Body	AXTN4+16BFY	2	
A - 29	Body, Lower Plate	AC06AAJUJZ00	1	

EXPLODED VIEW (AGITATOR ASSEMBLY)... [B] BLOCK

A

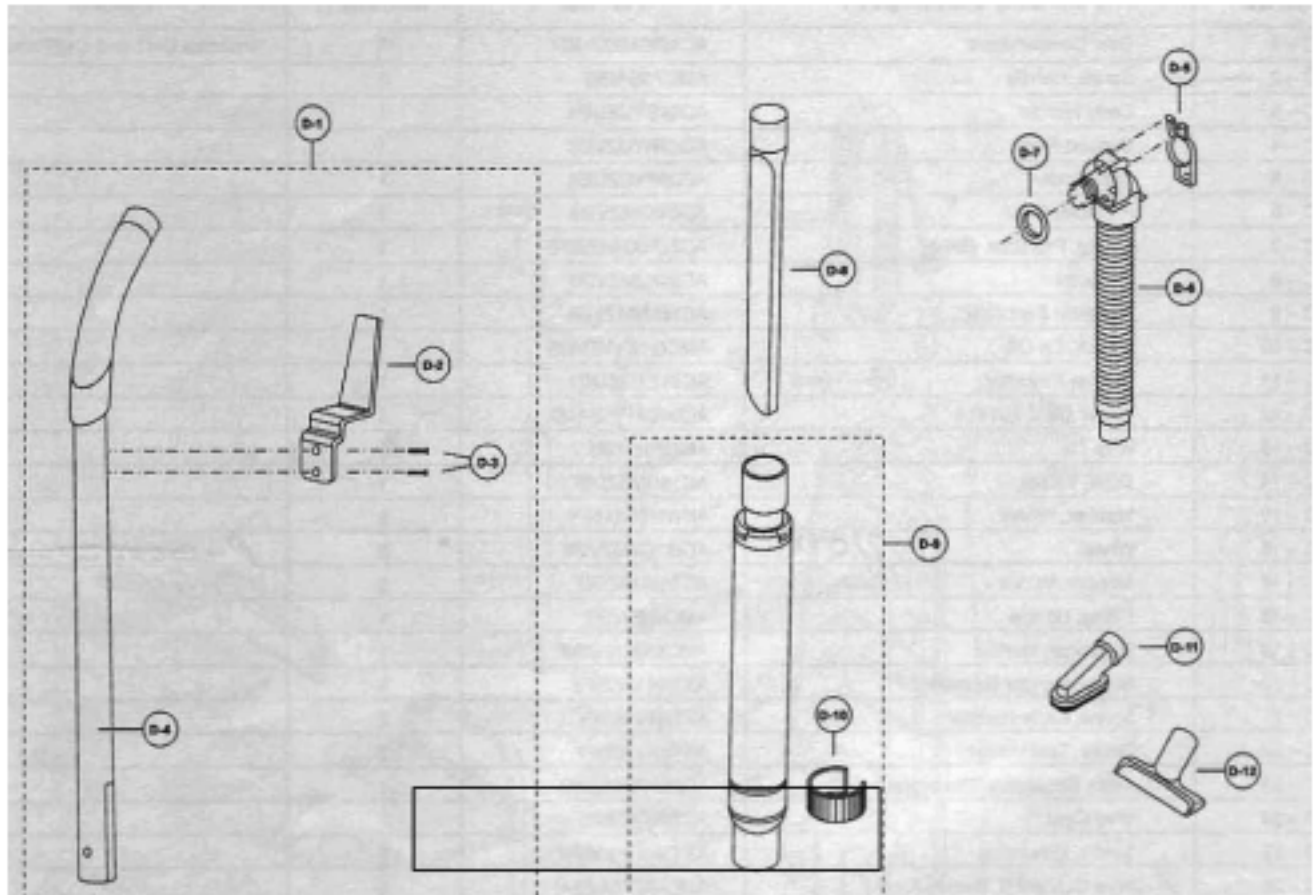


PARTS LIST (AGITATOR ASSEMBLY)... [B] BLOCK

Ref. No.	Part Name & Description	Part No.	Quantity	Remarks
B - 1	Agitator Unit	AC84RAPNZ00	1	
B - 2	Washer	AMC681-424	2	
B - 3	End Cap	AC85CTC 200	2	

WL

EXPLODED VIEW (HANDLE, HOSE, AND ATTACHMENTS)... **D** BLOCK



PARTS LIST (HANDLE, HOSE, AND ATTACHMENTS)... **D** BLOCK

Ref. No.	Part Name & Description	Part No.	Quantity	Remarks
D - 1	Handle Assembly	AC95BTCZ00	1	
D - 2	Cord Hook	AC53E-TEZ00	1	
D - 3	Screw, Cord Hook	AC66AZAZ00		
D - 4	Handle	AC64BTCZ00	1	
D - 5	Suction Inlet Cover	AC02HYUZV06	1	
D - 6	Hose Unit, Stretch	AC84PAGZZV06	1	
D - 7	Packing, Suction inlet	AC64HYUZ00	1	
D - 8	Crevice Tool	AC60RZFZV06	1	
D - 9	Wand, Telescoping	AC93PHGZV06	1	
D - 10	Suction Control	AC54PYUZV06	1	
D - 11	Dusting Brush	AC88RYUZV06		
D - 12	Upholstery Nozzle	AC62RYUZV06	1	