

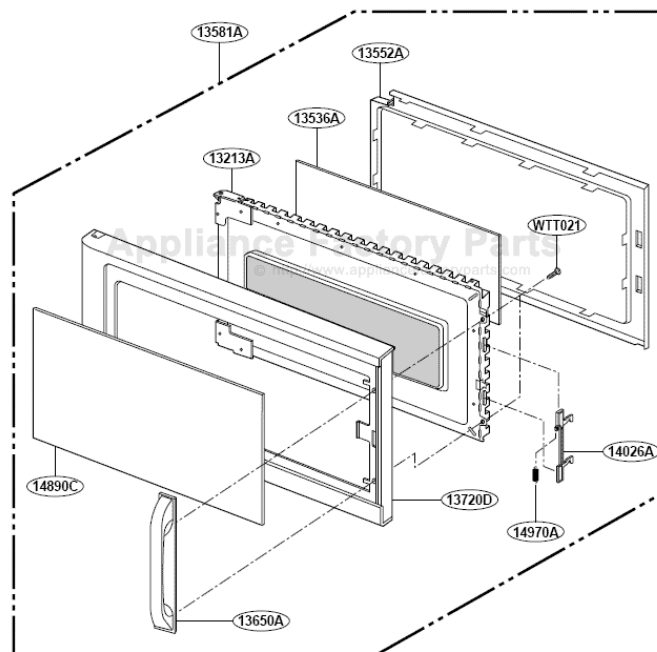
This Owner's Manual is provided and hosted by [Appliance Factory Parts](#).



# WHIRLPOOL MH7135XEQ-1 Owner's Manual

[Shop genuine replacement parts for WHIRLPOOL  
MH7135XEQ-1](#)

## DOOR PARTS

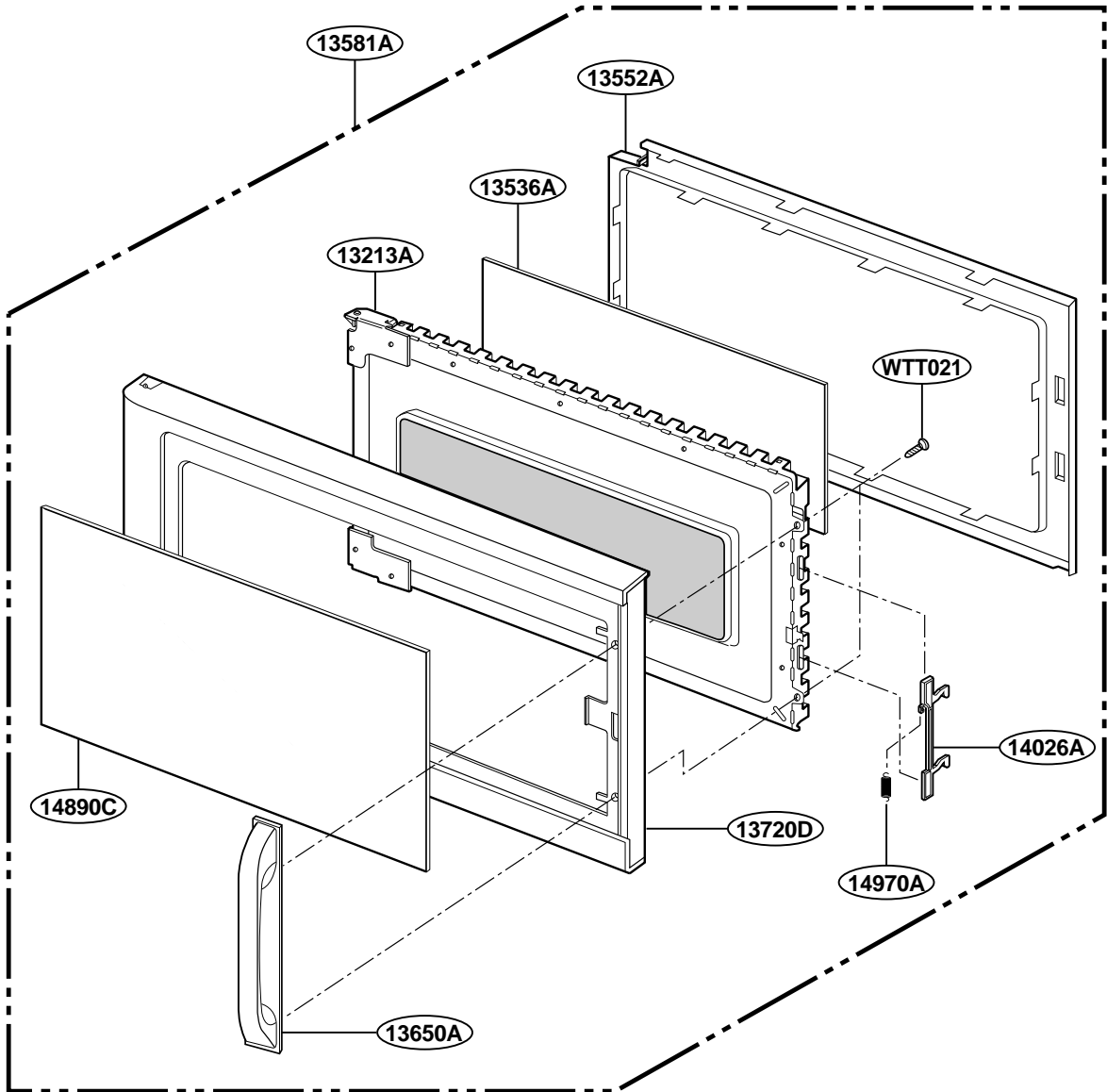


[Find Your WHIRLPOOL Microwave Parts - Select From 1350 Models](#)

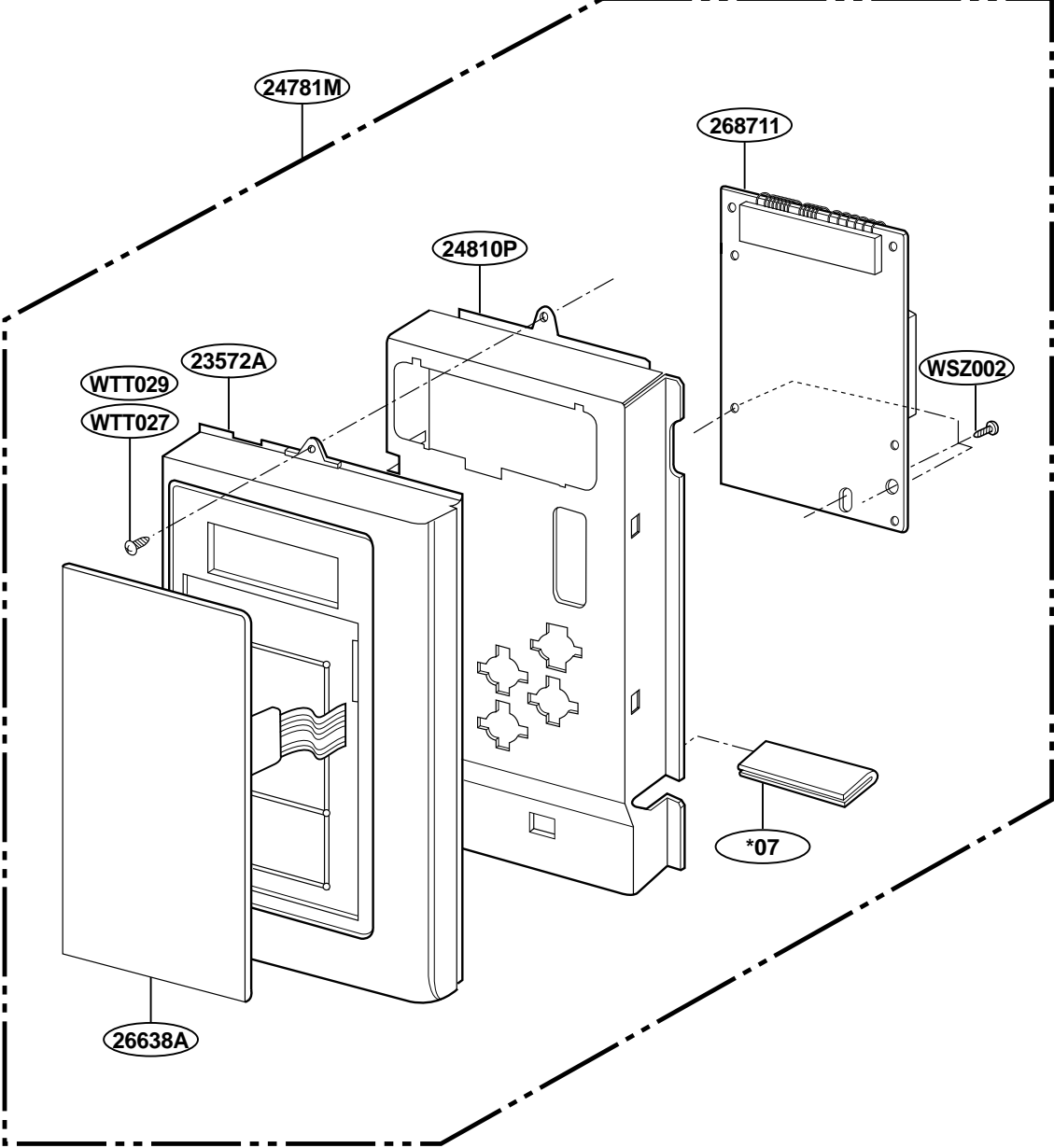
----- Manual continues below -----

# EXPLODED VIEW

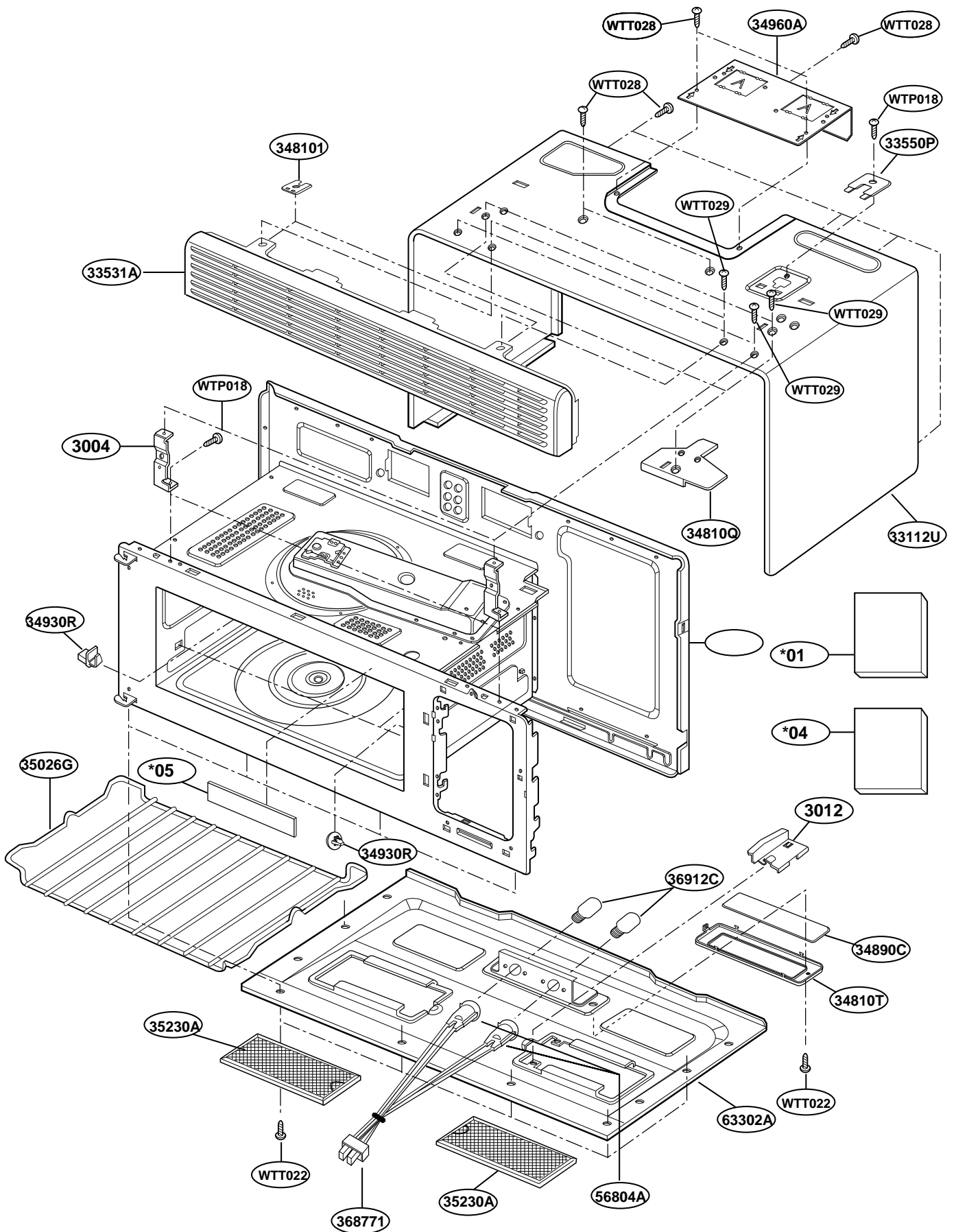
## DOOR PARTS



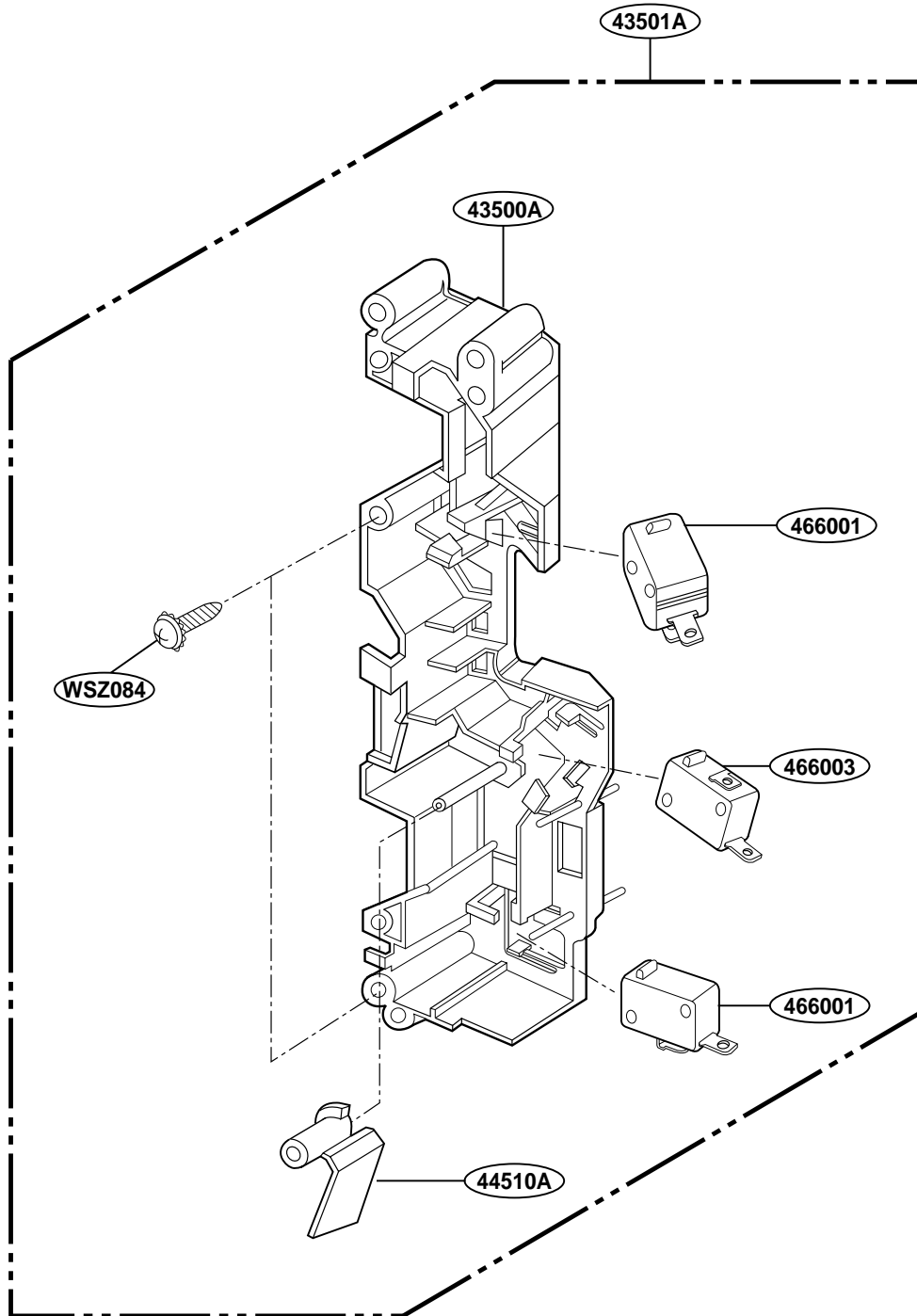
# CONTROLLER PARTS



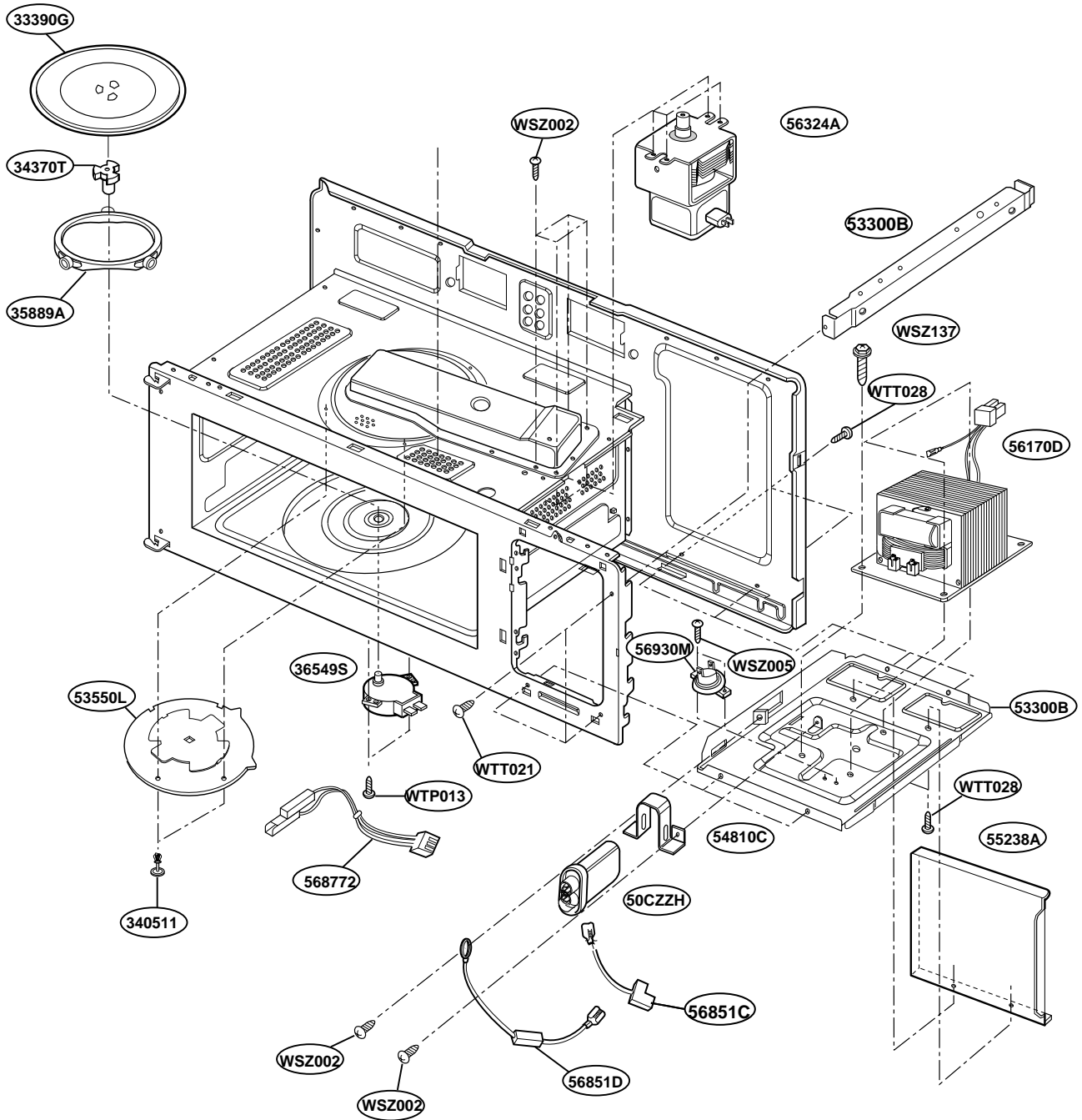
# OVEN CAVITY PARTS



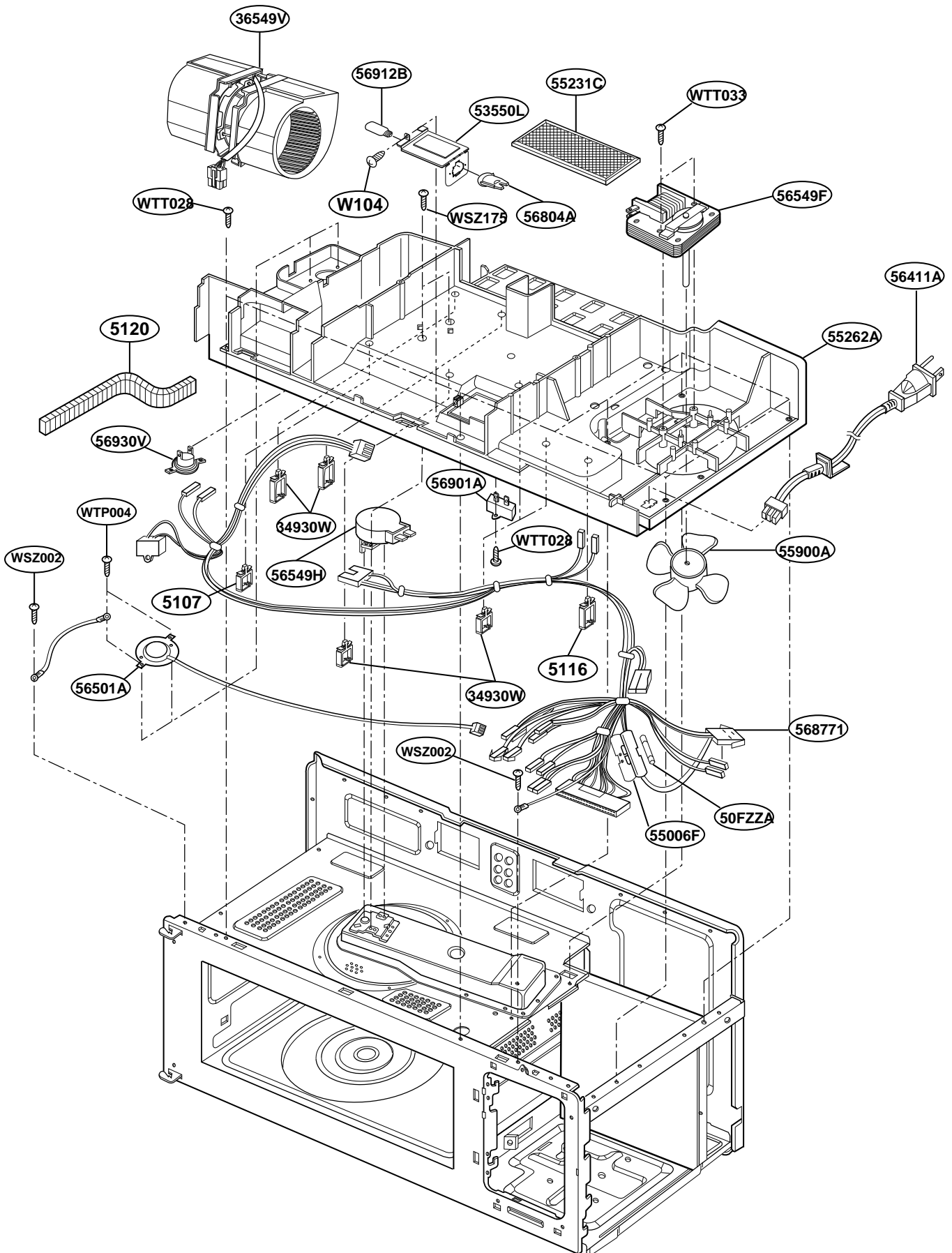
# LATCH BOARD PARTS



# INTERIOR PARTS ( I )



# INTERIOR PARTS ( II )



# INSTALLATION PARTS

