

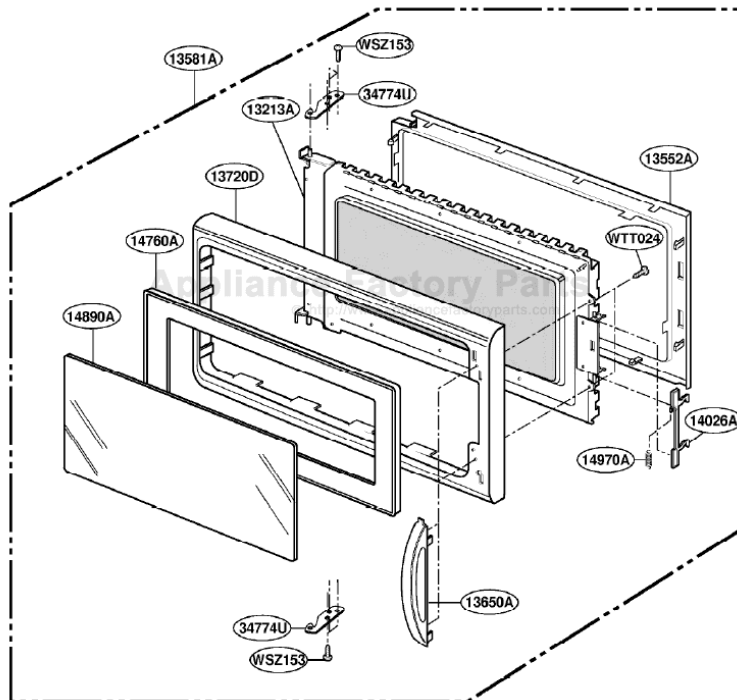
This Owner's Manual is provided and hosted by [Appliance Factory Parts](#).



WHIRLPOOL MH9115XEB-0 Owner's Manual

[Shop genuine replacement parts for WHIRLPOOL
MH9115XEB-0](#)

DOOR PARTS



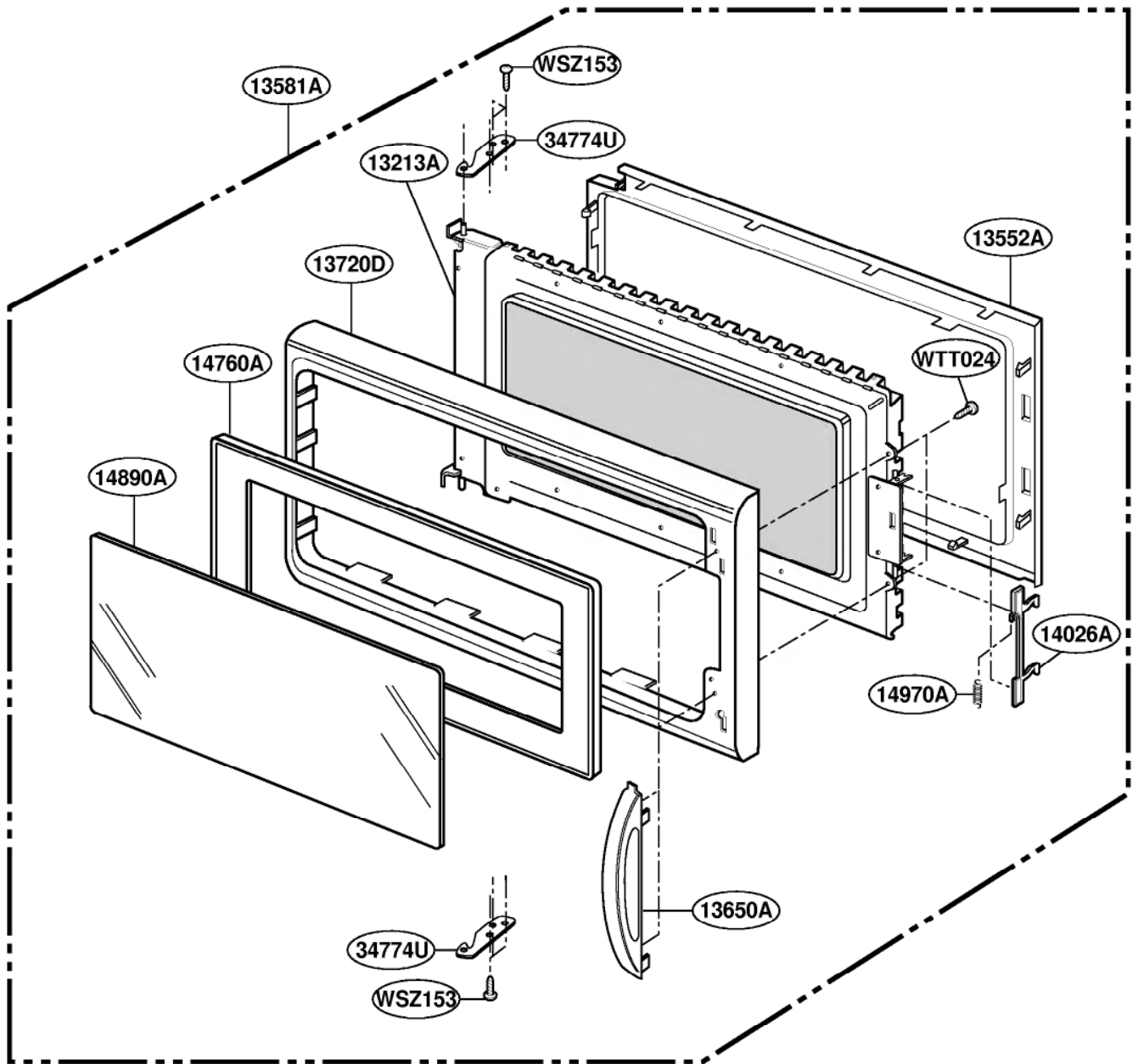
[Find Your WHIRLPOOL Microwave Parts - Select From 1350 Models](#)

----- Manual continues below -----

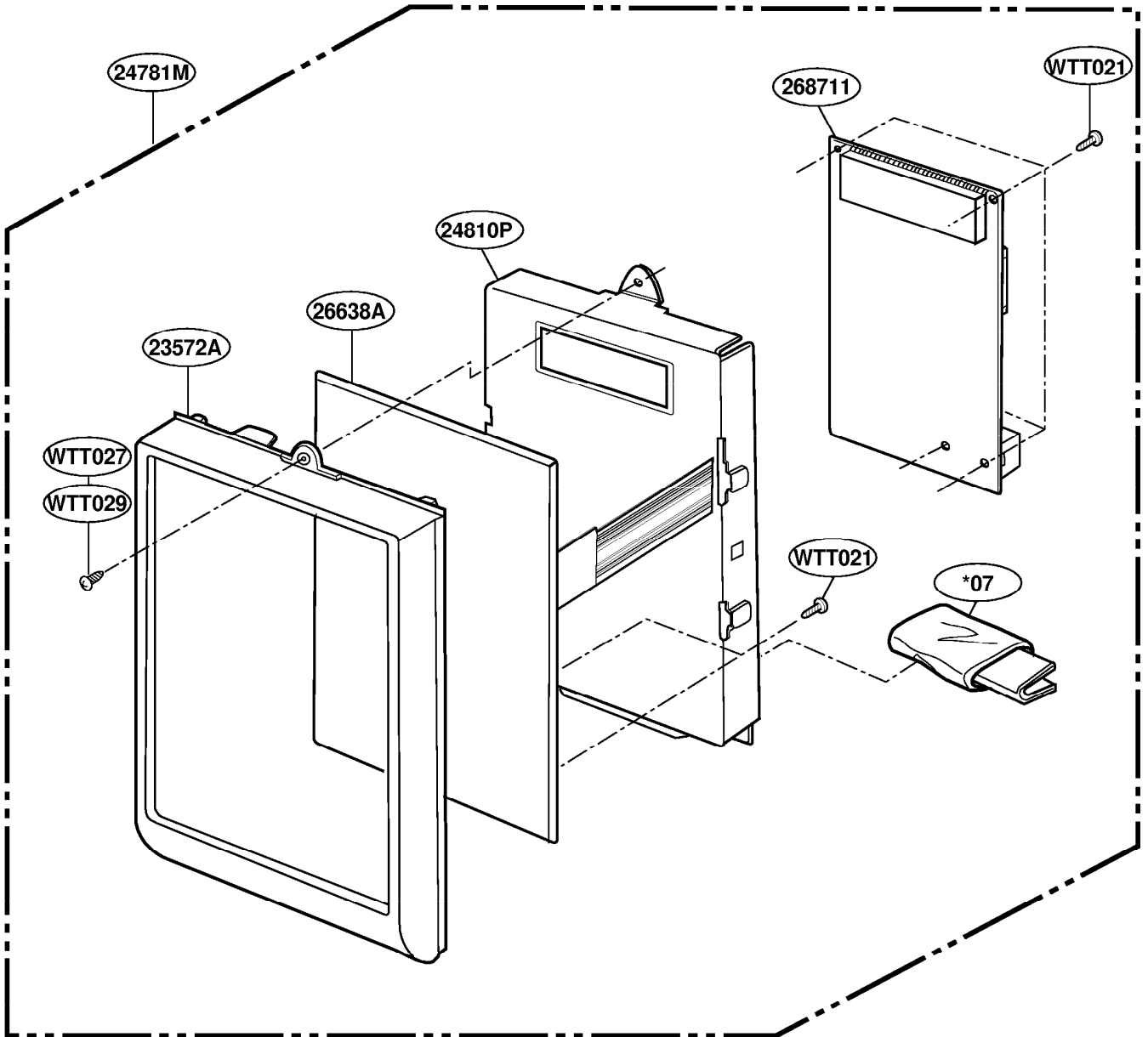
EXPLODED VIEW

FOR MODEL: MV-1132SC/GH9115

DOOR PARTS



CONTROLLER PARTS

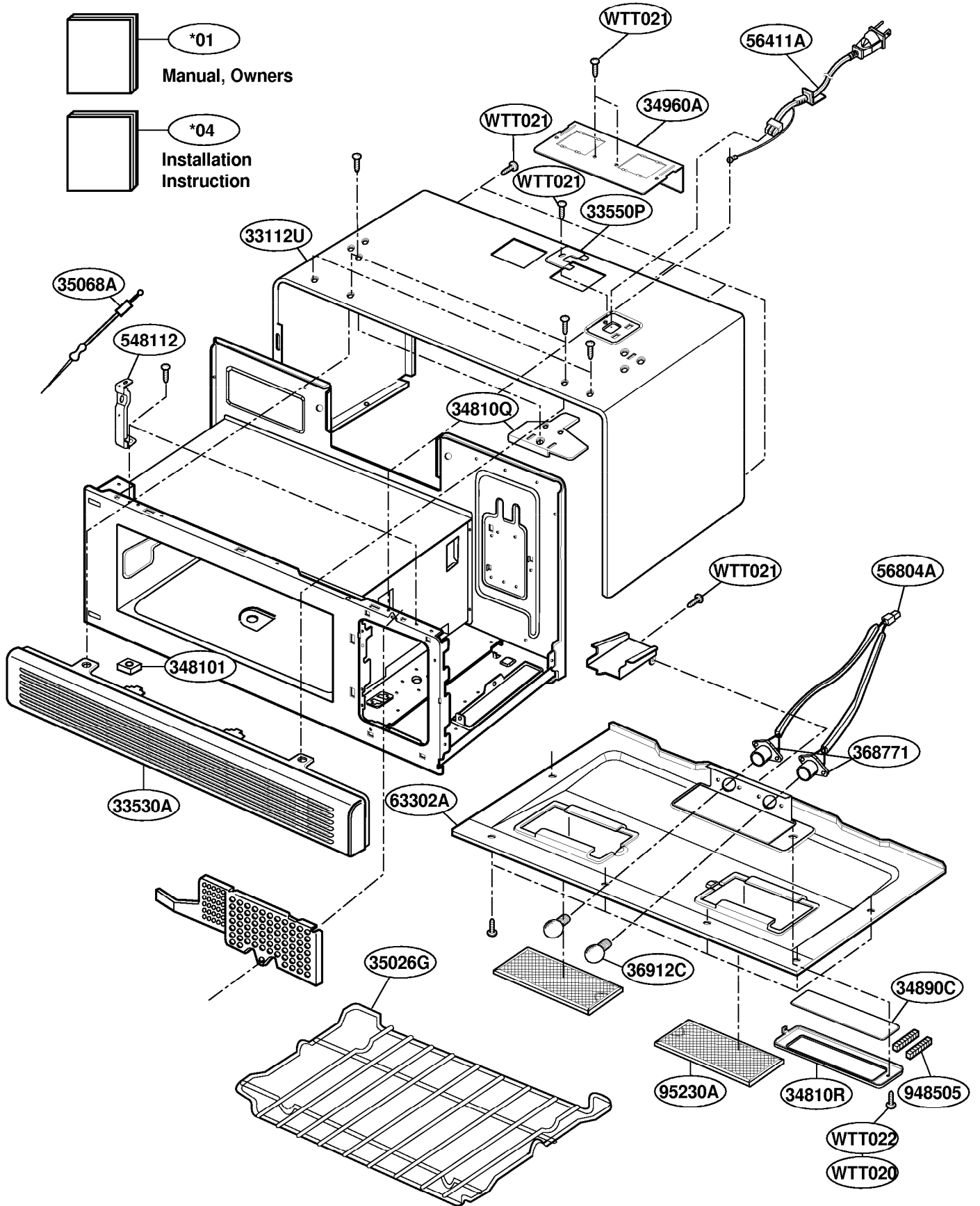


OVEN CAVITY PARTS

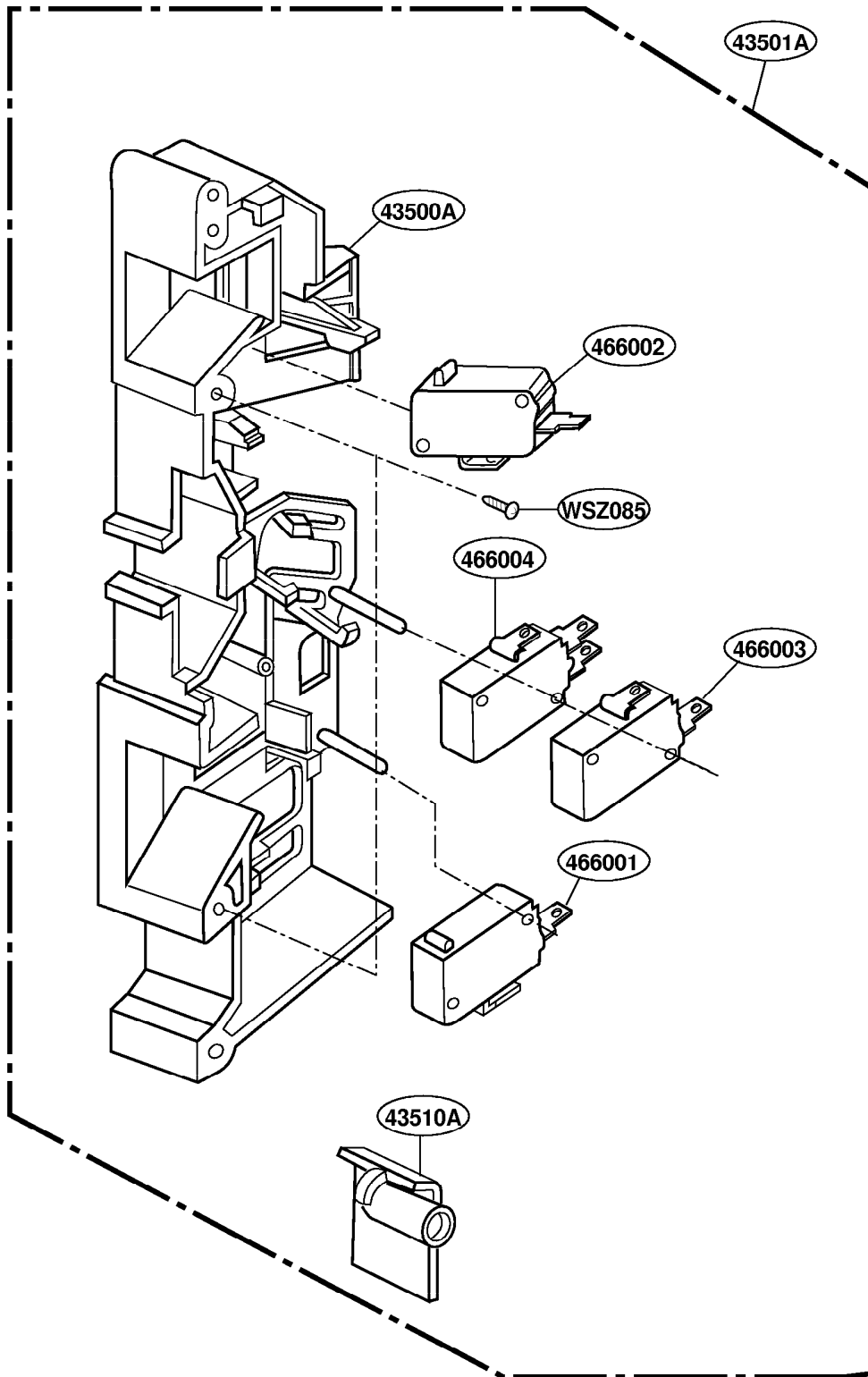
*03
Cook book

*01
Manual, Owners

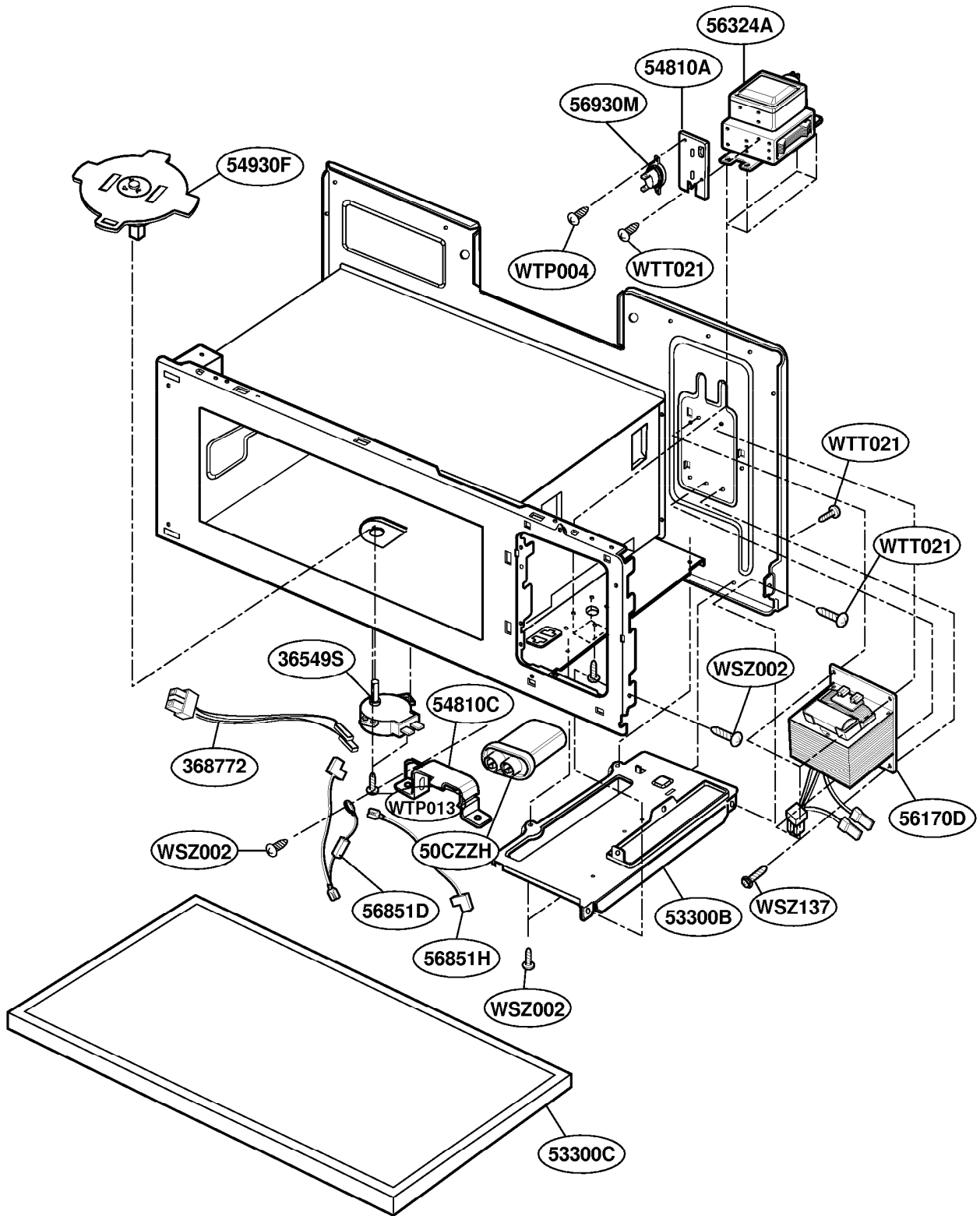
*04
Installation Instruction



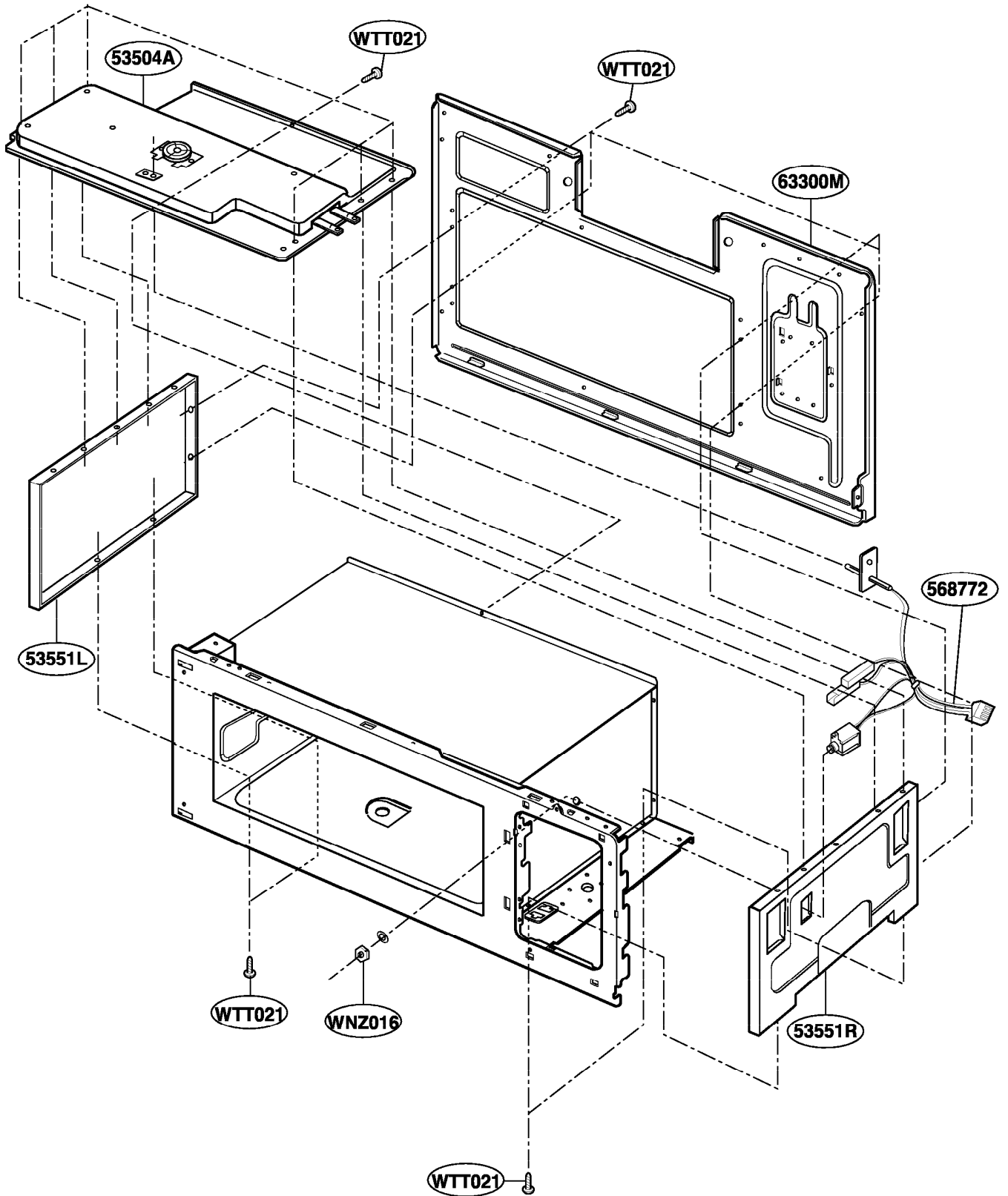
LATCH BOARD PARTS



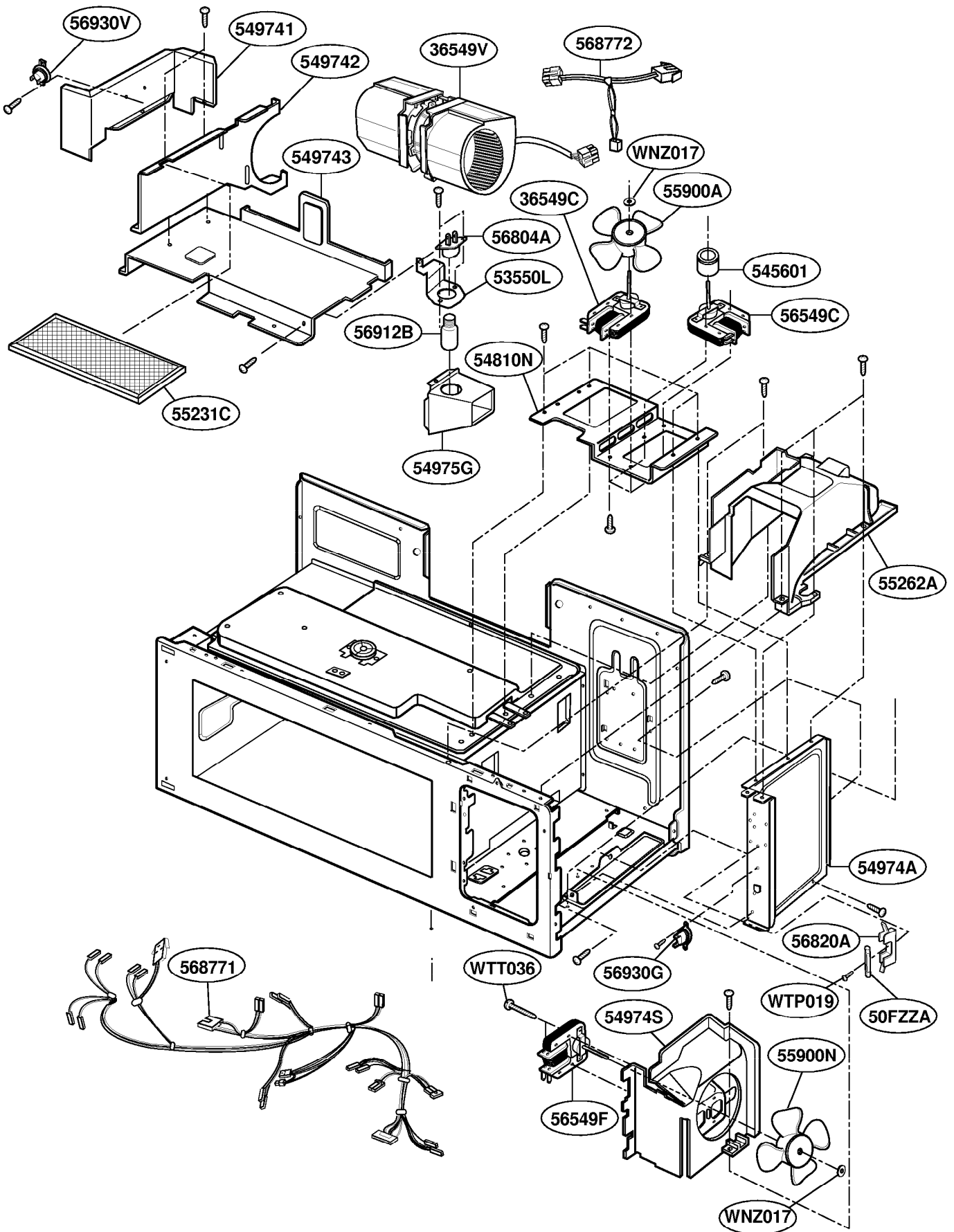
INTERIOR PARTS (I)



INTERIOR PARTS (II)



INTERIOR PARTS (III)



INSTALLATION PARTS

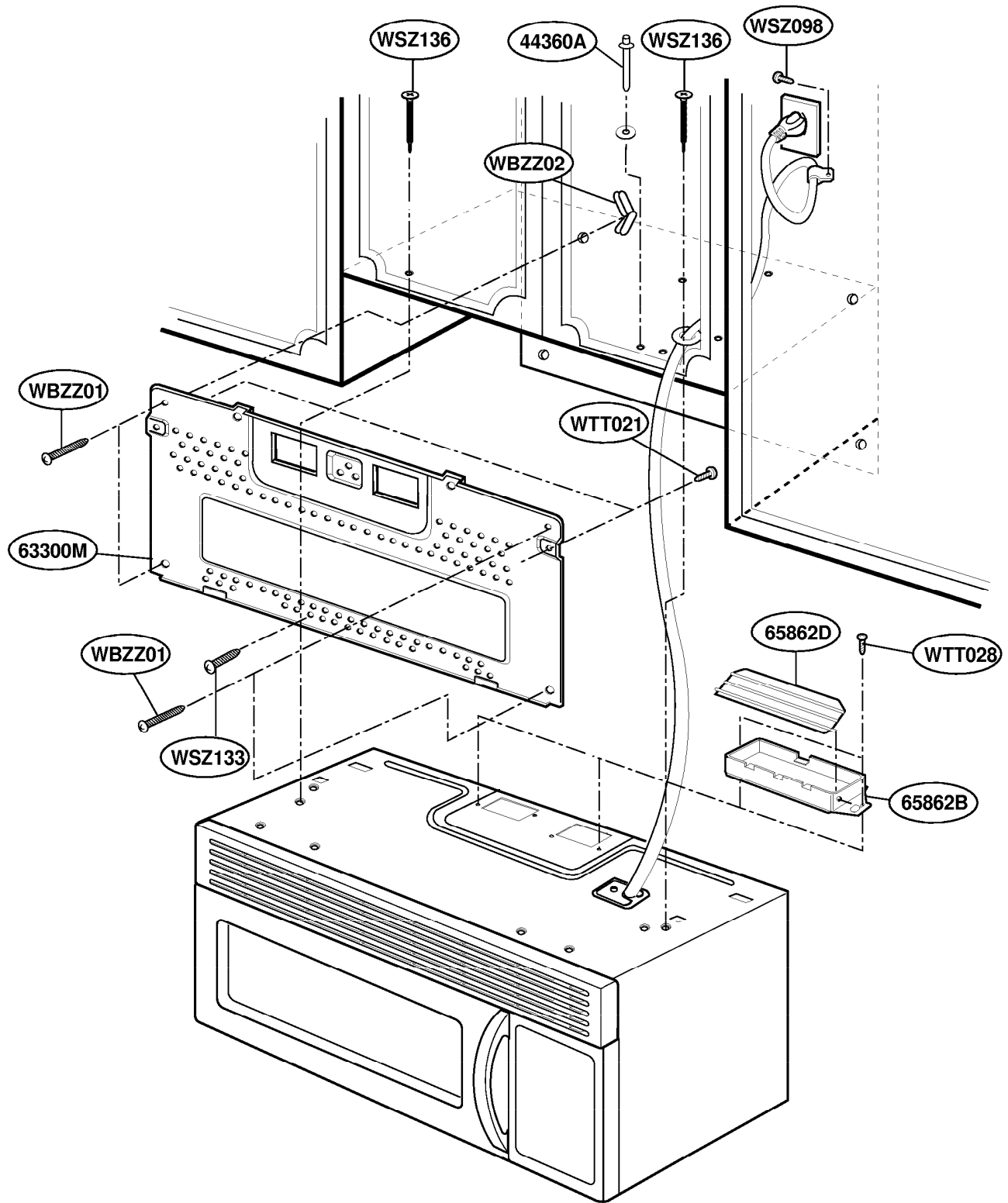


PLATE CHAMBER ASSY PARTS

