

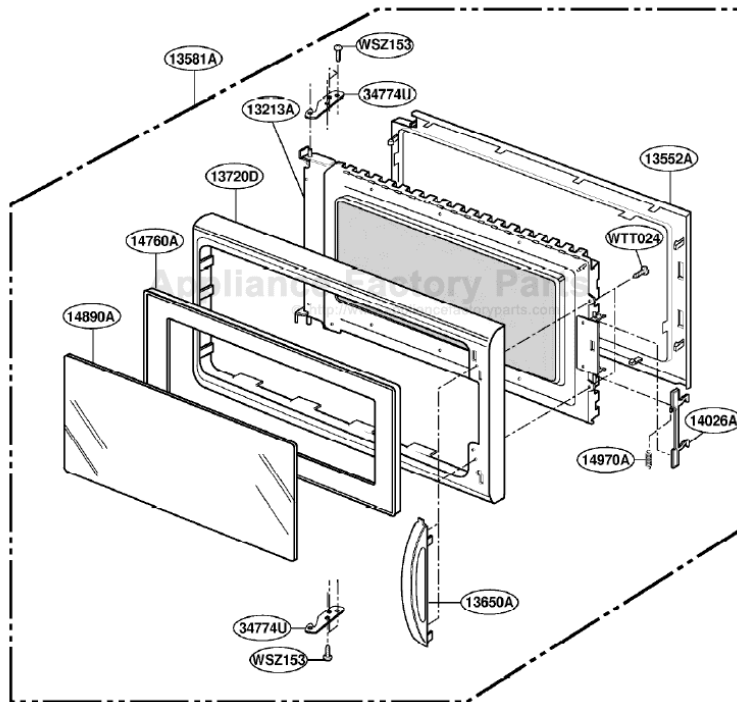
This Owner's Manual is provided and hosted by [Appliance Factory Parts](http://Appliance Factory Parts).



# WHIRLPOOL MH9115XEQ-0 Owner's Manual

[Shop genuine replacement parts for WHIRLPOOL  
MH9115XEQ-0](#)

## DOOR PARTS



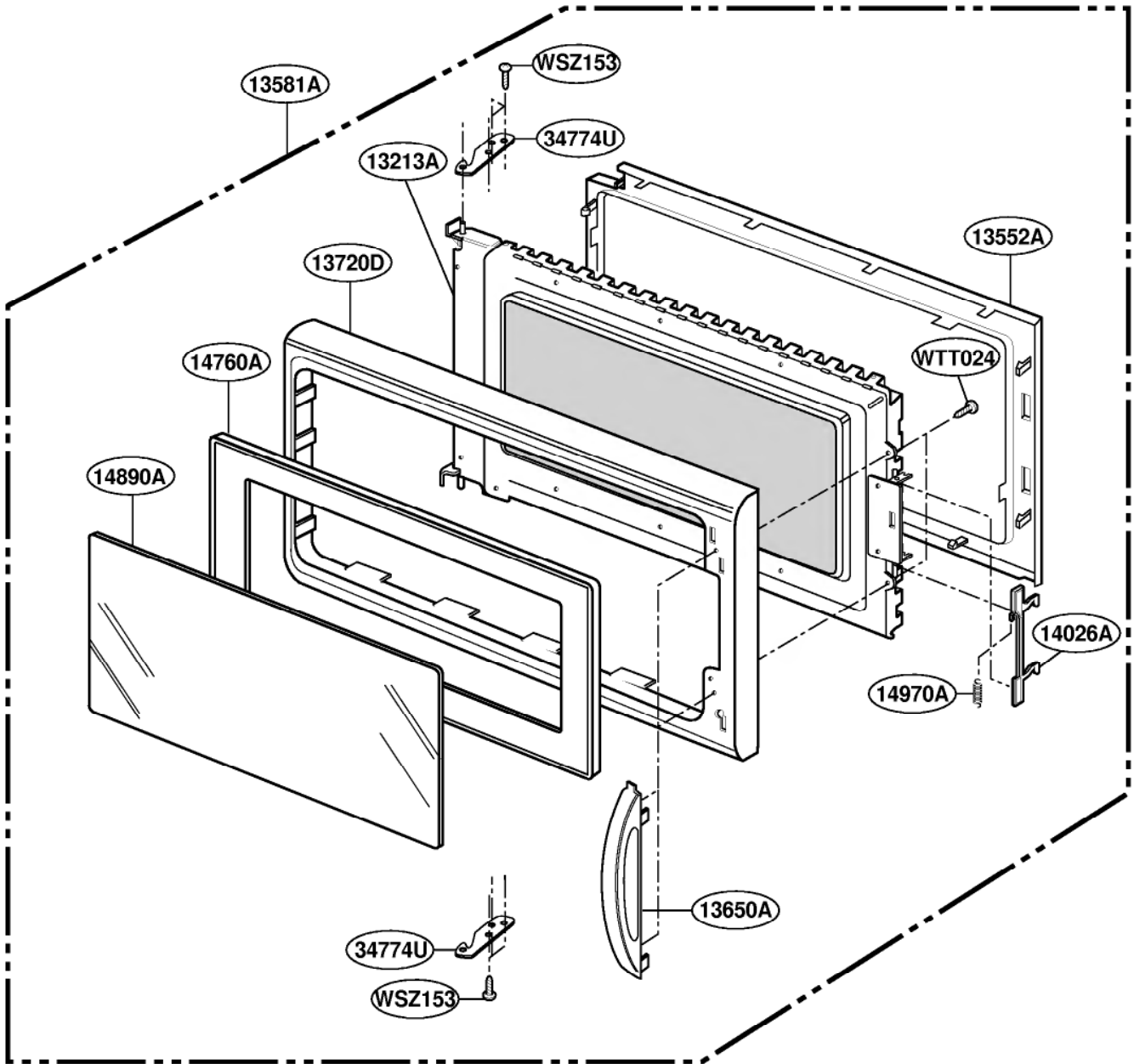
[Find Your WHIRLPOOL Microwave Parts - Select From 1350 Models](#)

----- Manual continues below -----

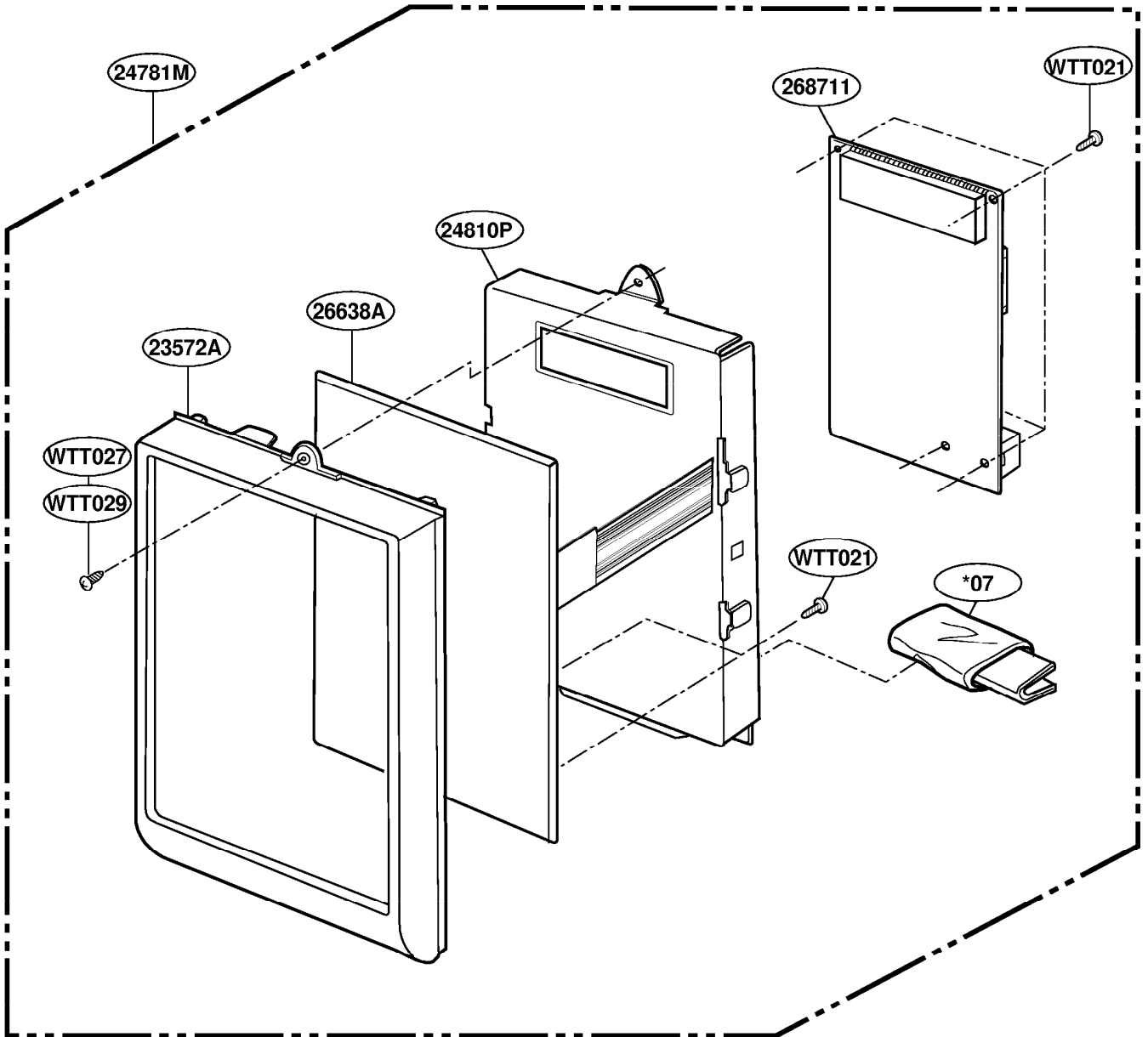
# EXPLODED VIEW

FOR MODEL: MV-1132SC/GH9115

## DOOR PARTS



# CONTROLLER PARTS

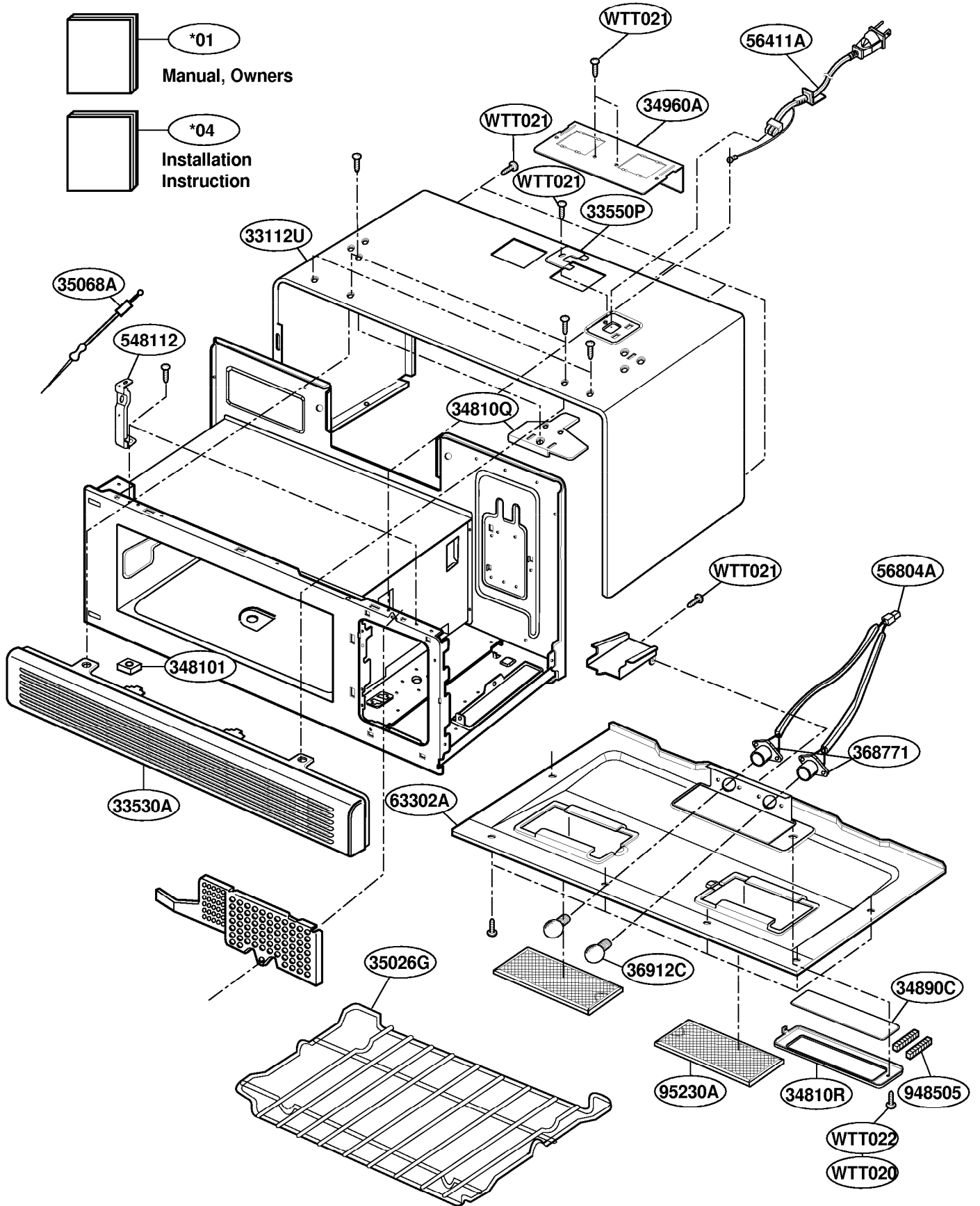


# OVEN CAVITY PARTS

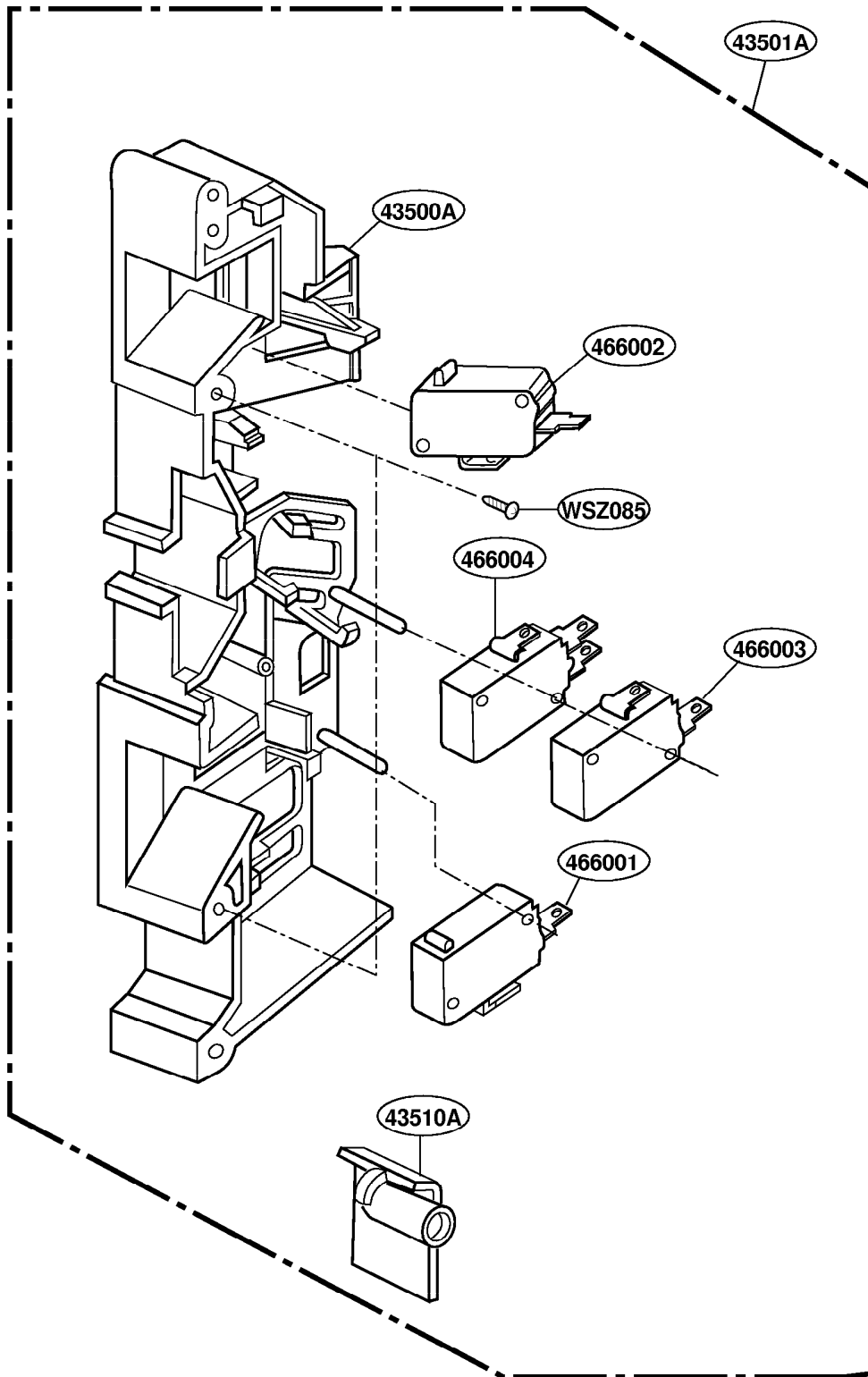
\*03  
Cook book

\*01  
Manual, Owners

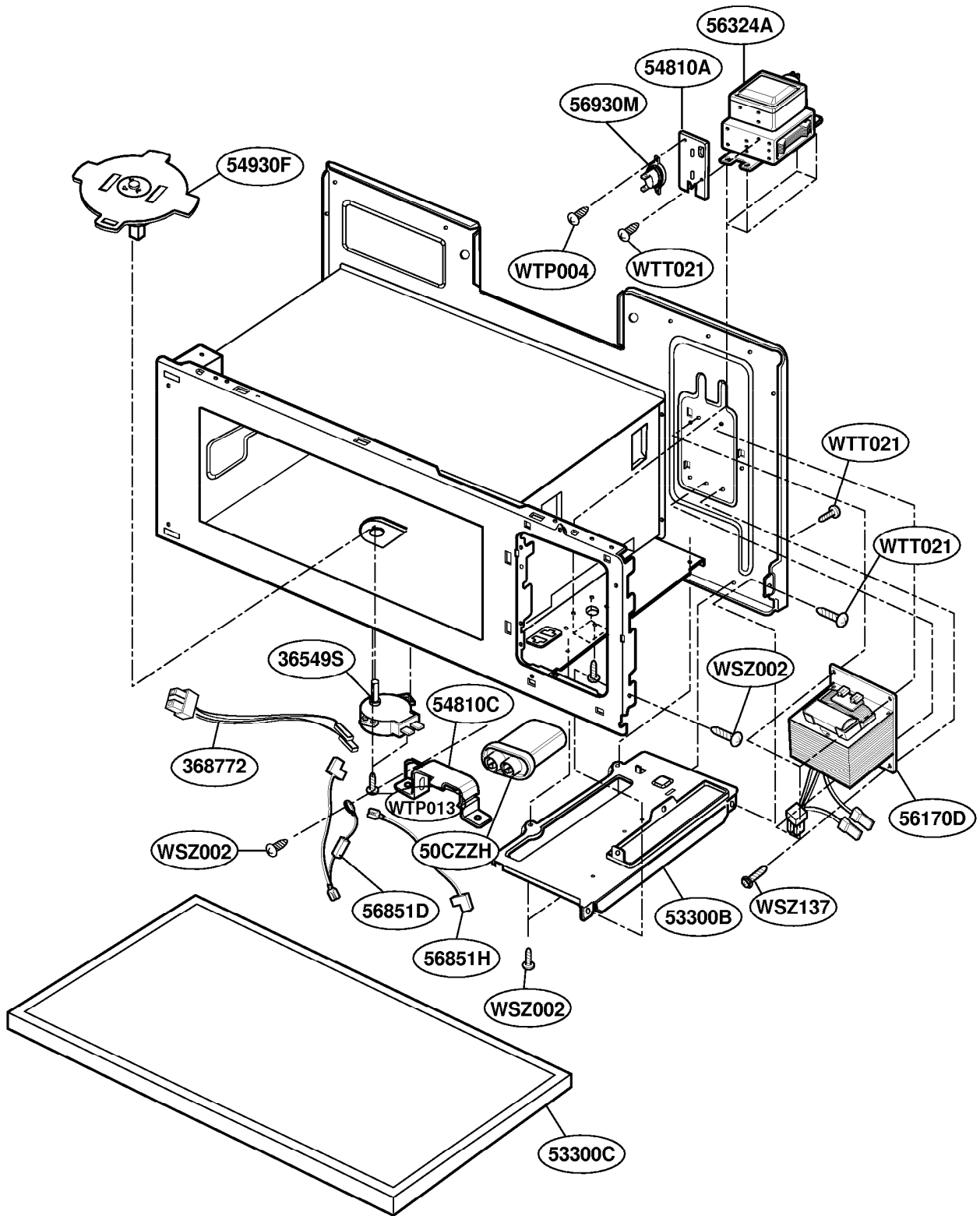
\*04  
Installation  
Instruction



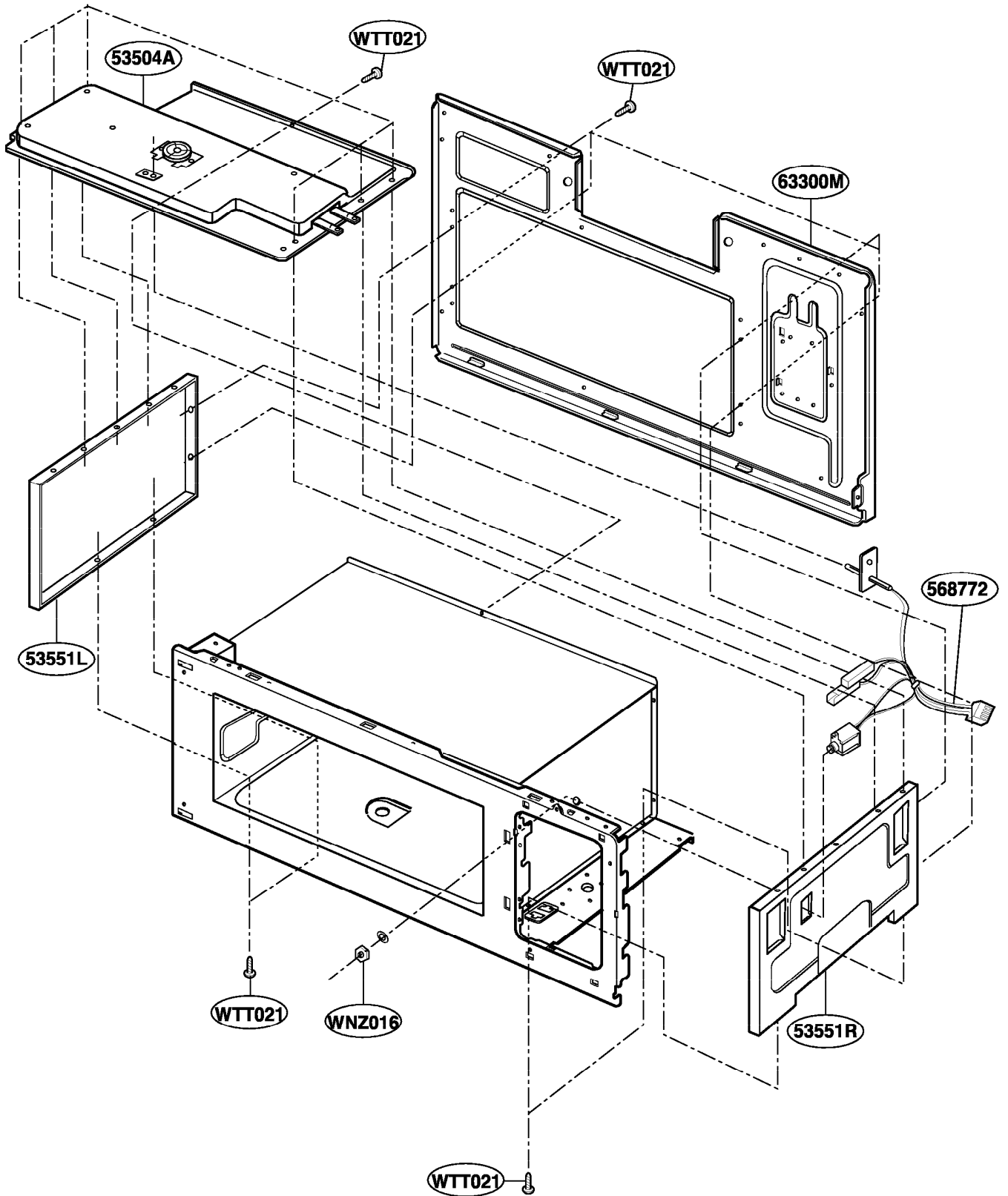
# LATCH BOARD PARTS



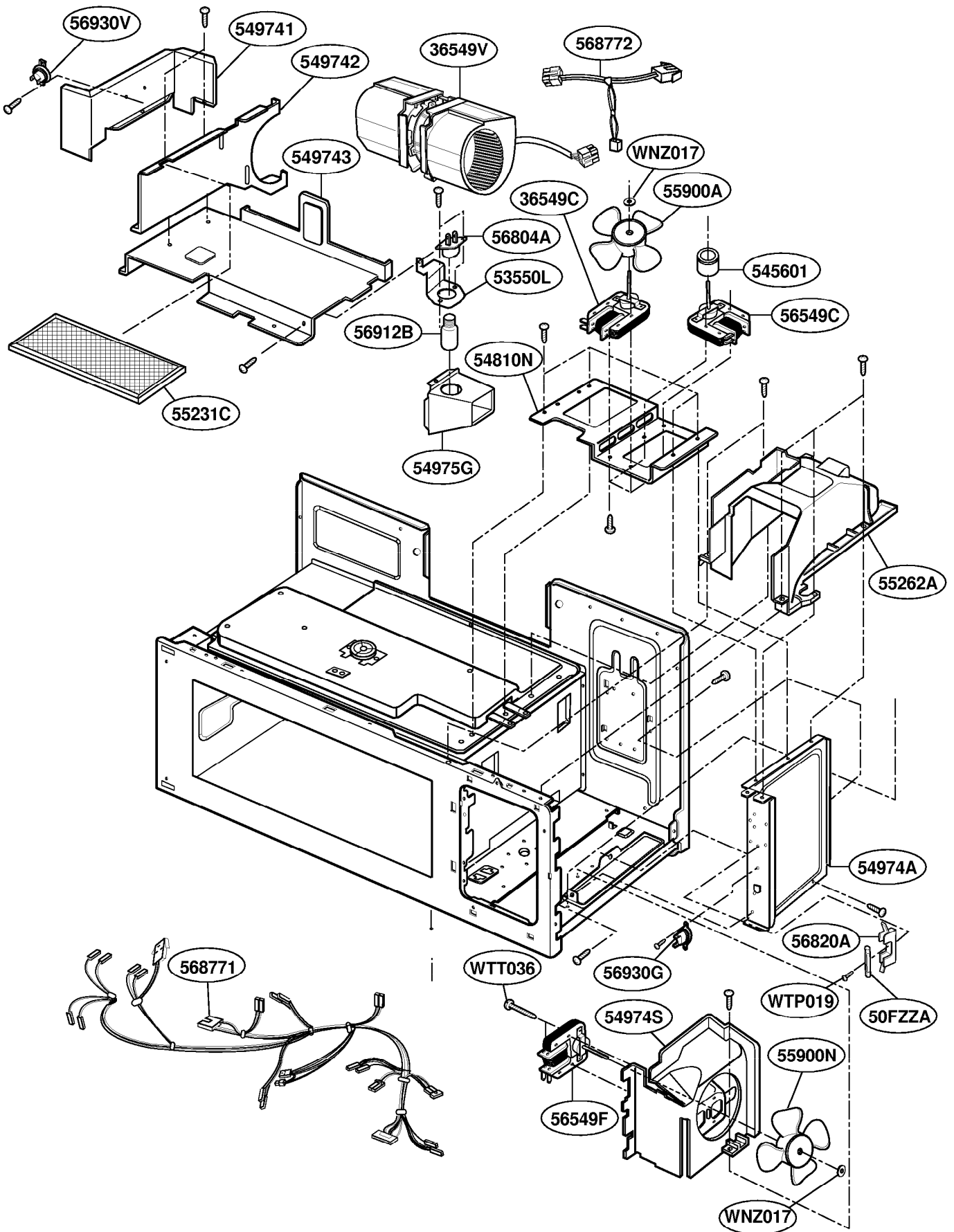
# INTERIOR PARTS (I)



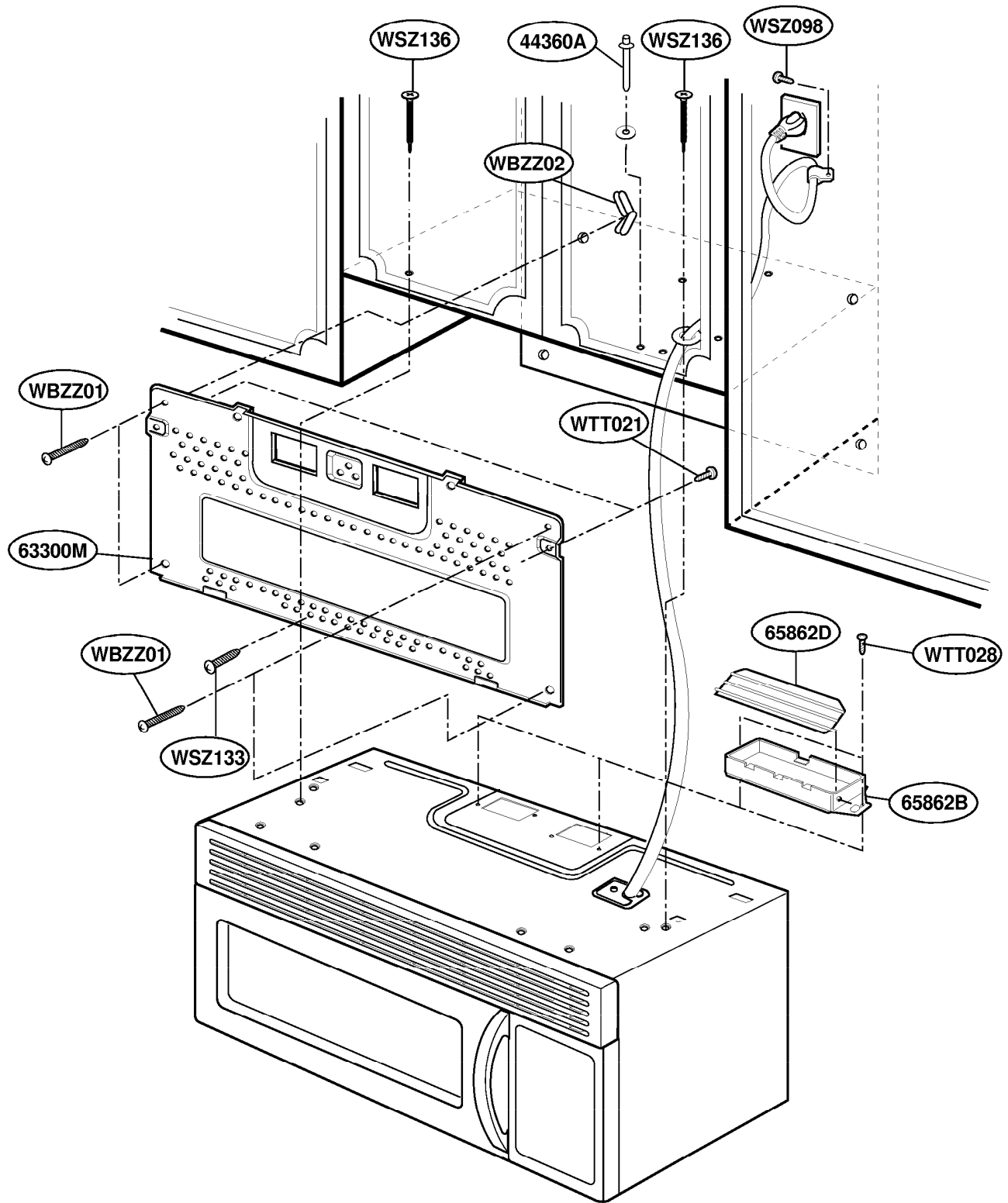
# INTERIOR PARTS (II)



# INTERIOR PARTS (III)



# INSTALLATION PARTS



# PLATE CHAMBER ASSY PARTS

