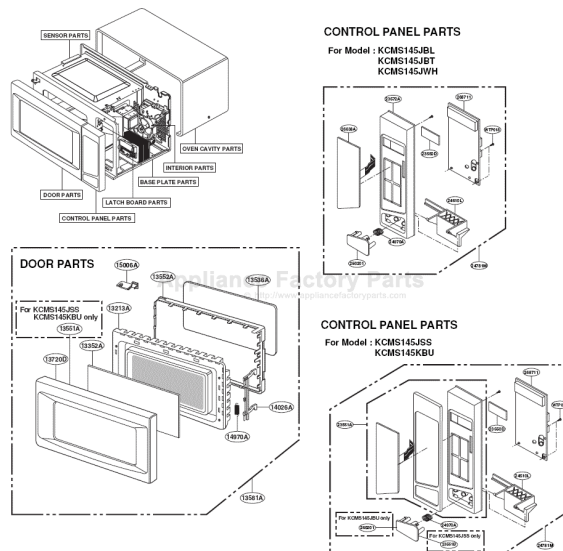


This Owner's Manual is provided and hosted by [Appliance Factory Parts](http://ApplianceFactoryParts.com).



LG KCMS145JBT-1 Owner's Manual

[Shop genuine replacement parts for LG KCMS145JBT-1](#)



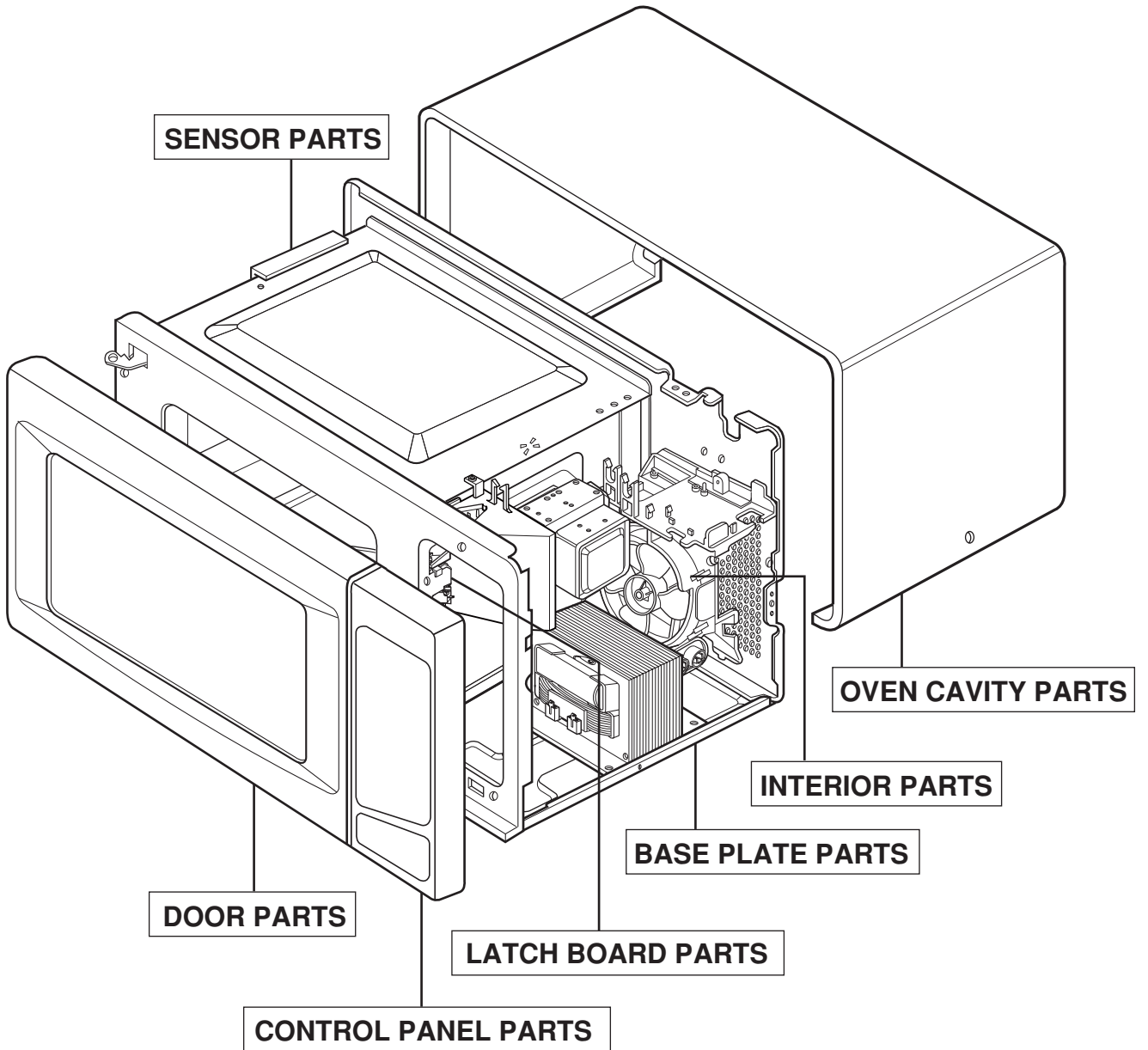
[Find Your LG Microwave Parts - Select From 955 Models](#)

----- Manual continues below -----

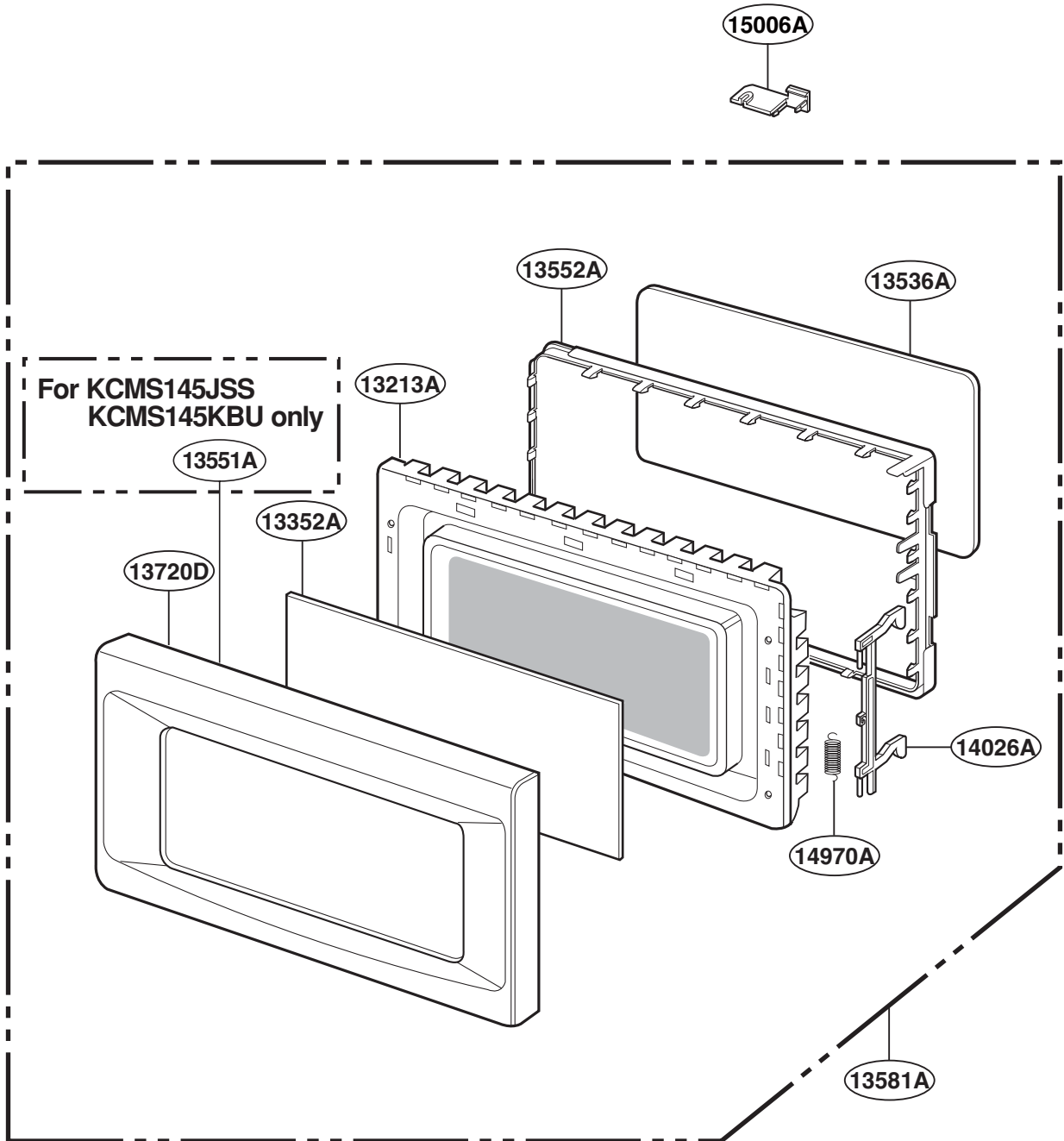
EXPLODED VIEW

INTRODUCTION

Model : KCMS145JBL
KCMS145JBT
KCMS145JWH
KCMS145JSS
KCMS145KBU

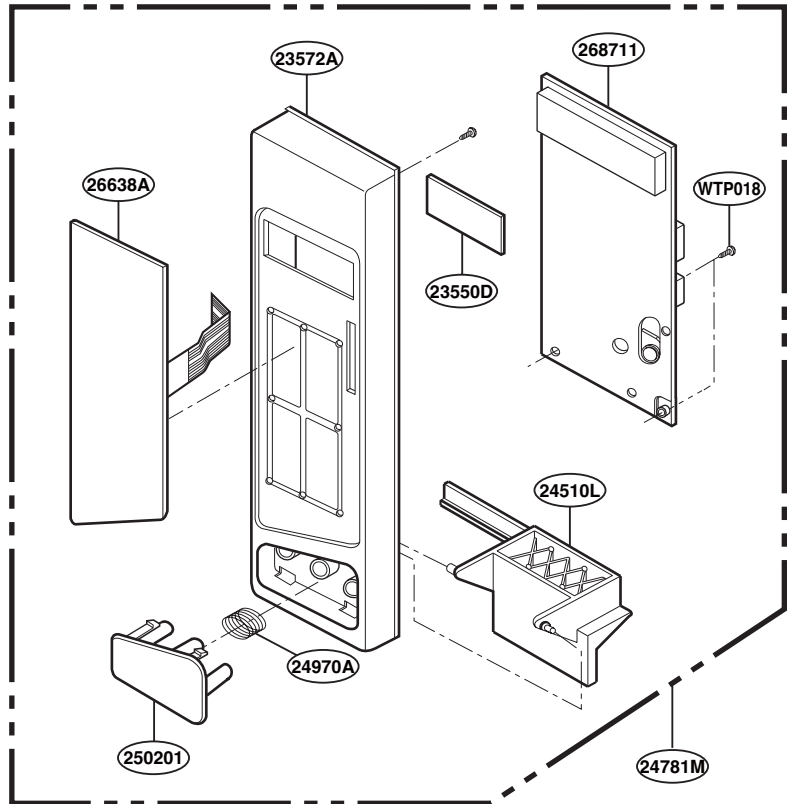


DOOR PARTS

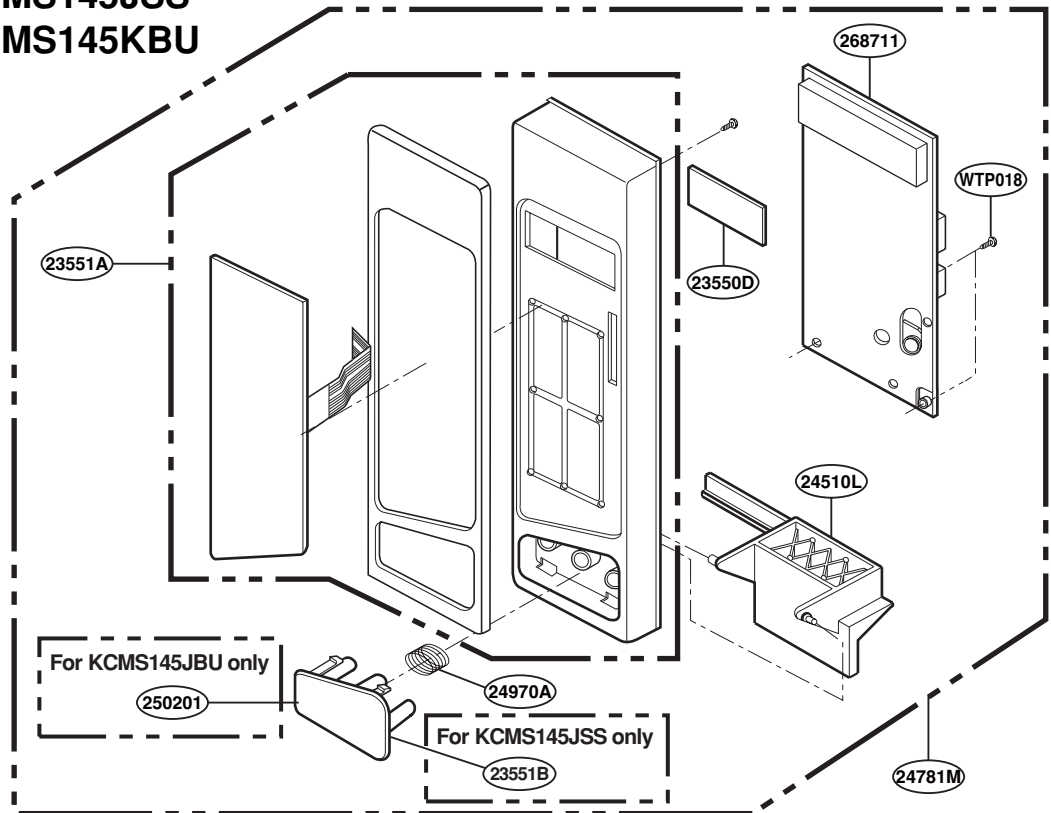


CONTROL PANEL PARTS

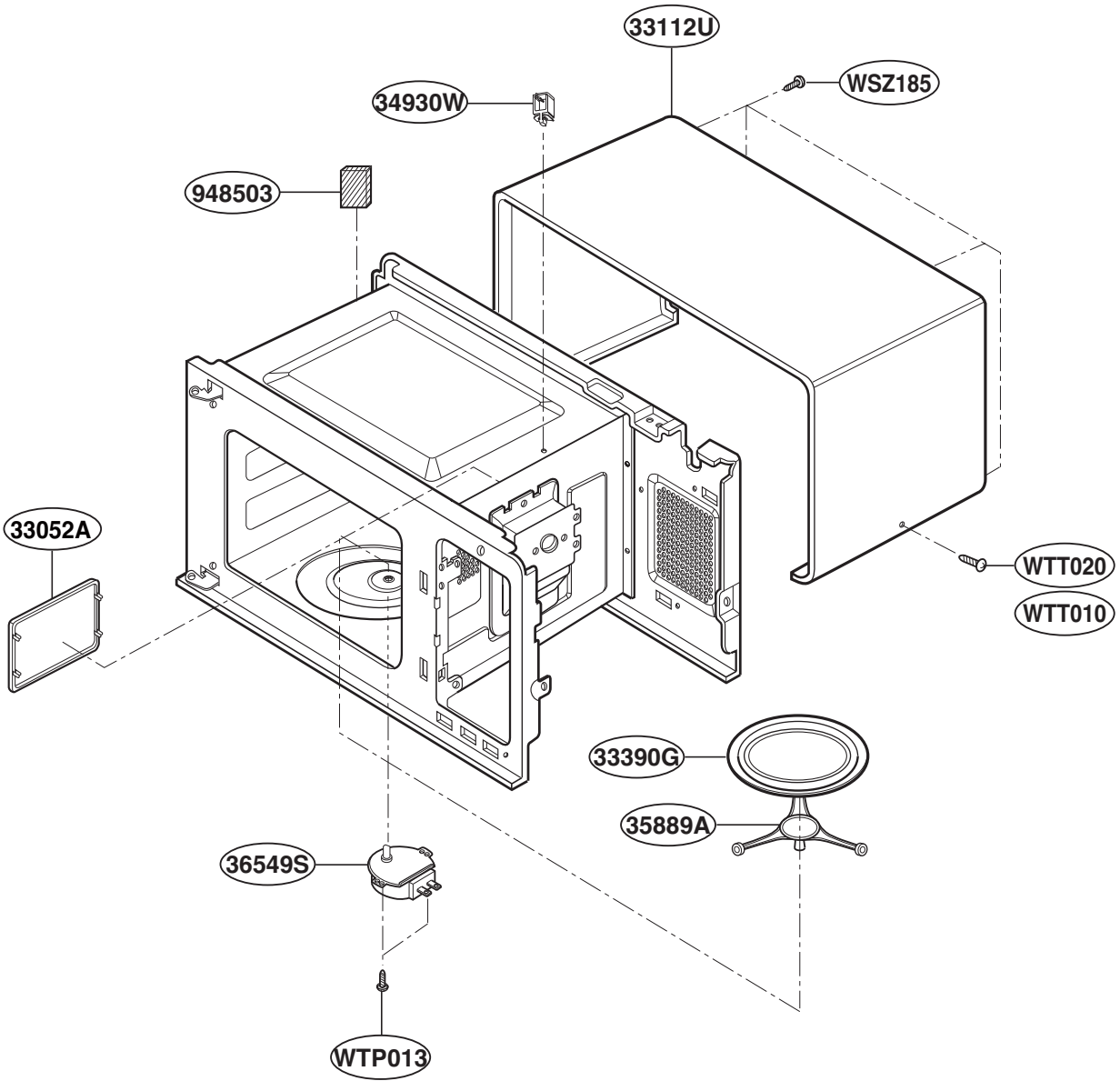
For Model : KCMS145JBL
KCMS145JBT
KCMS145JWH



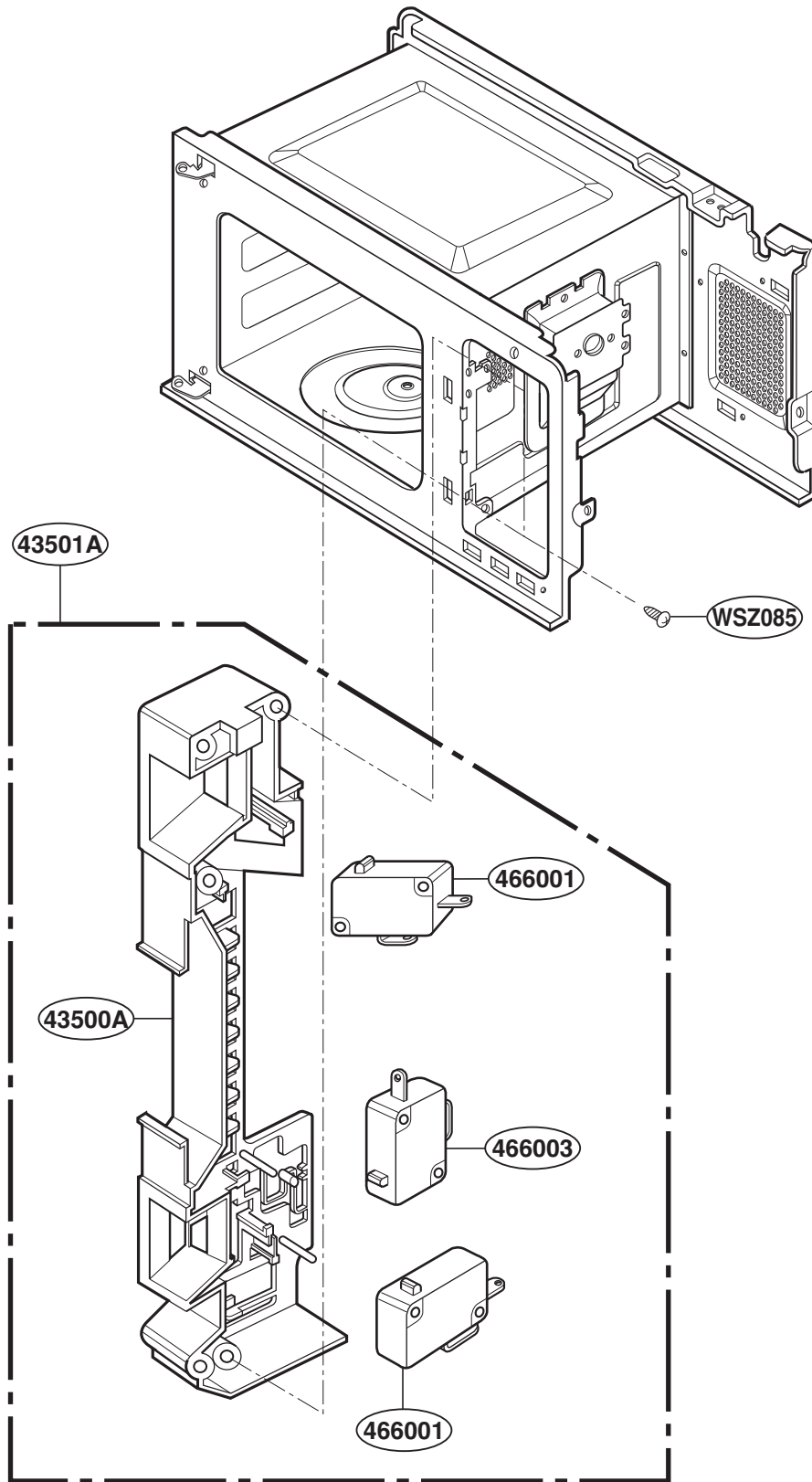
For Model : KCMS145JSS
KCMS145KBU



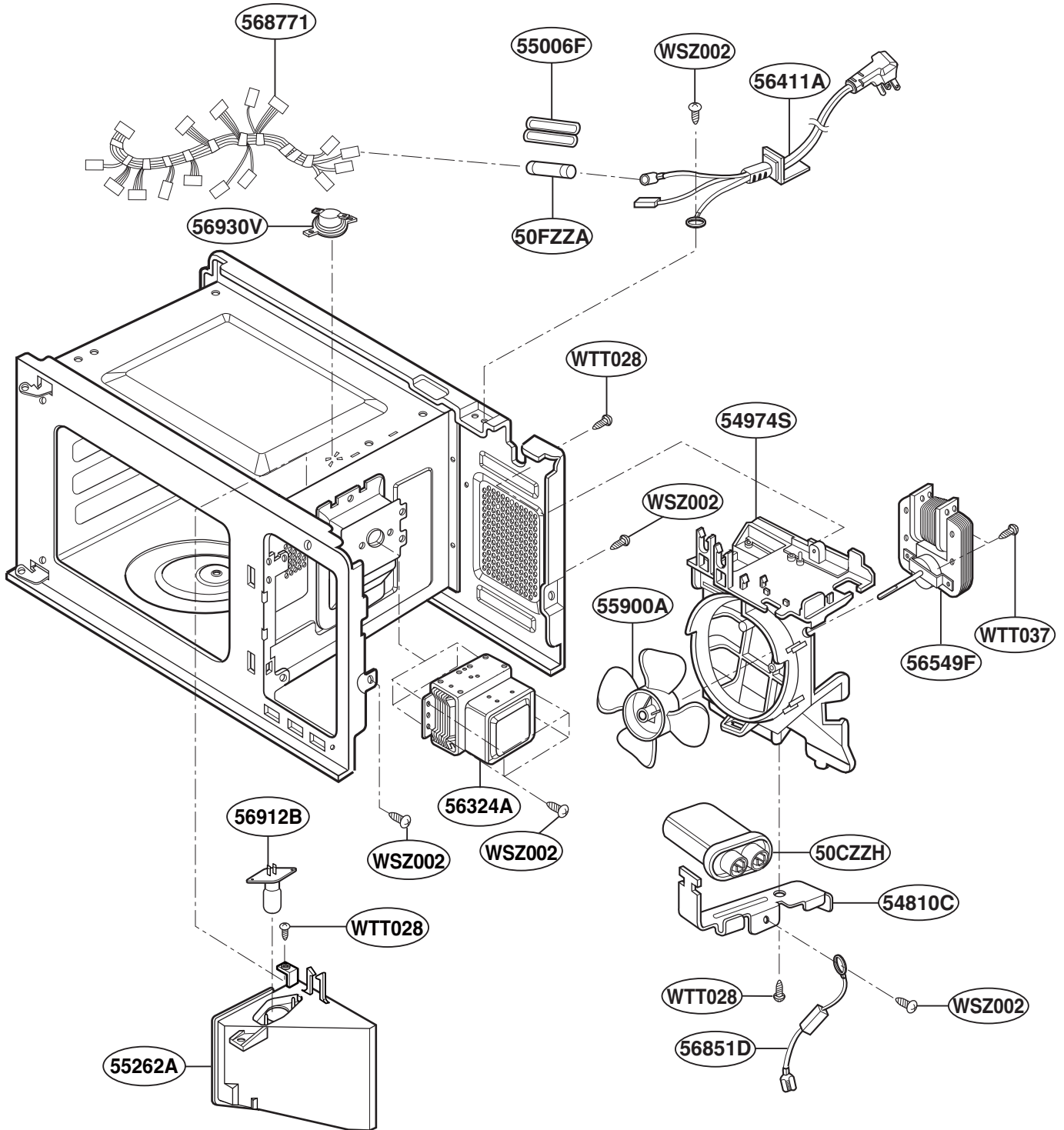
OVEN CAVITY PARTS



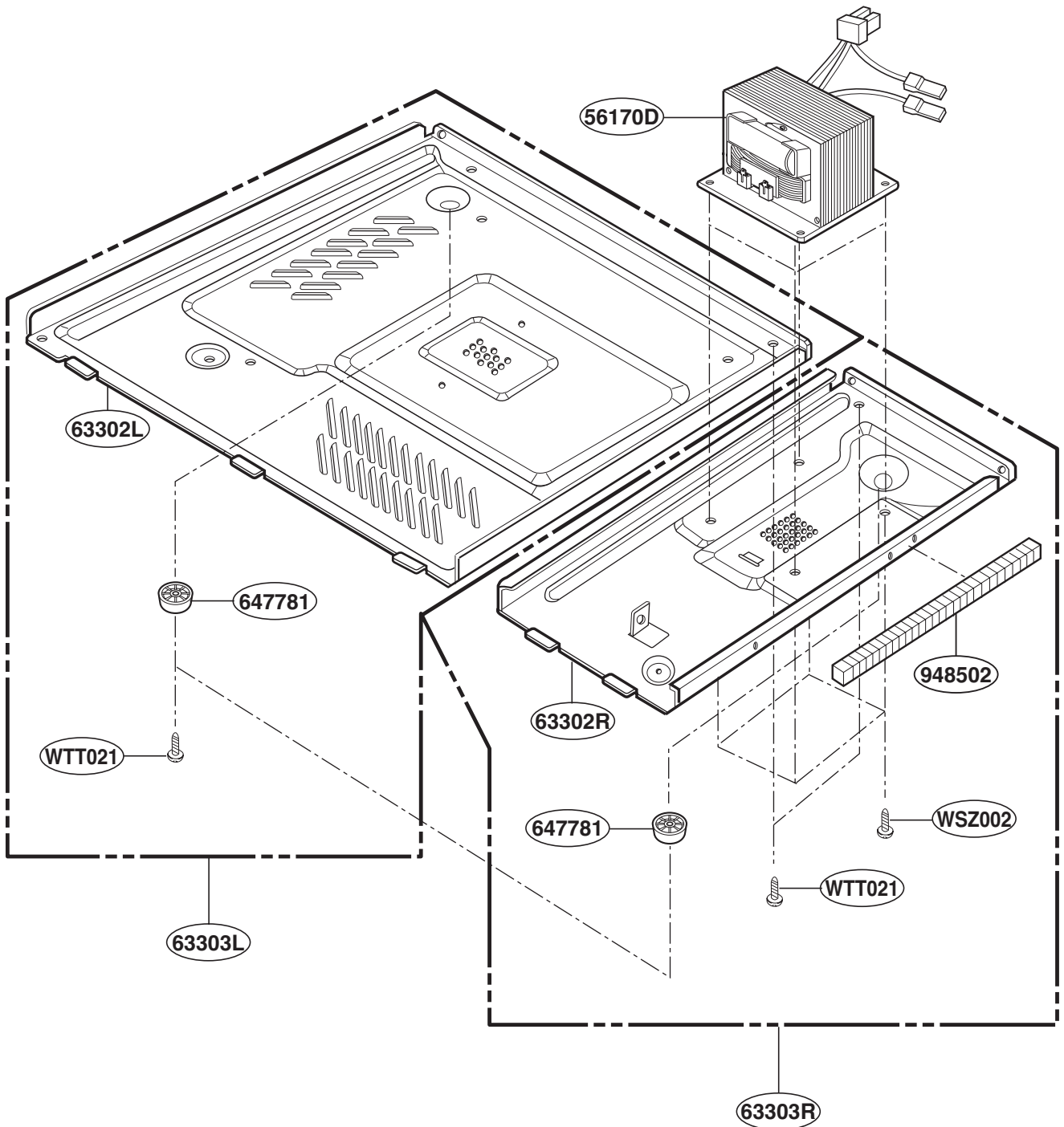
LATCH BOARD PARTS



INTERIOR PARTS



BASE PLATE PARTS



SENSOR PARTS

