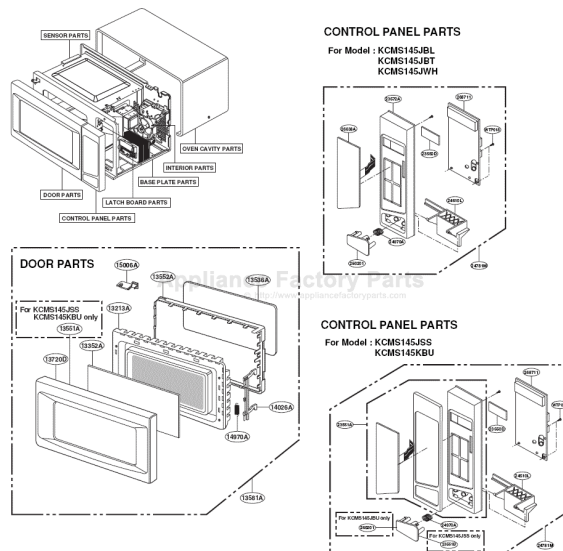


This Owner's Manual is provided and hosted by [Appliance Factory Parts](http://ApplianceFactoryParts.com).



# LG KCMS145JWH-1 Owner's Manual

[Shop genuine replacement parts for LG  
KCMS145JWH-1](#)



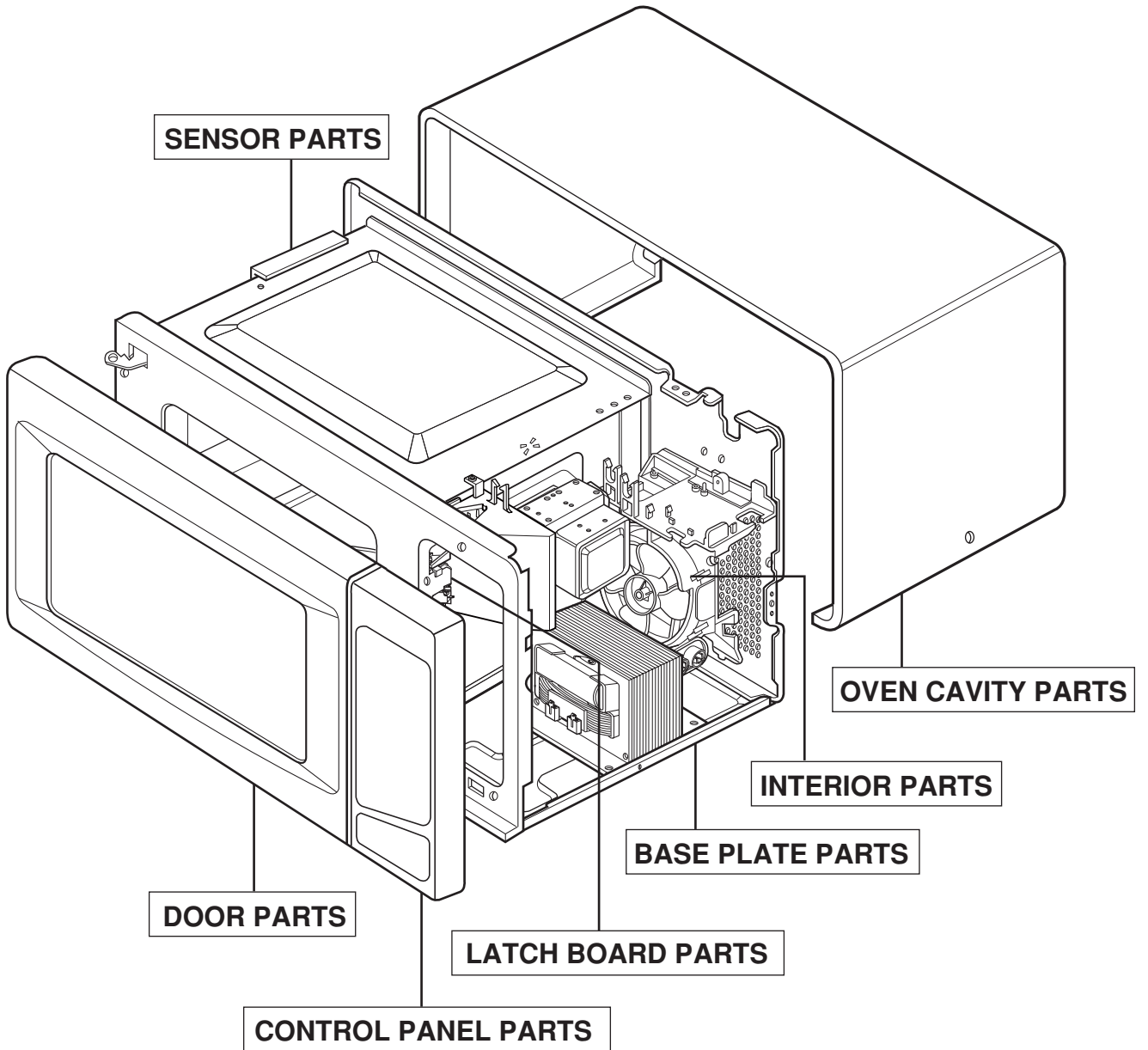
[Find Your LG Microwave Parts - Select From 955 Models](#)

----- Manual continues below -----

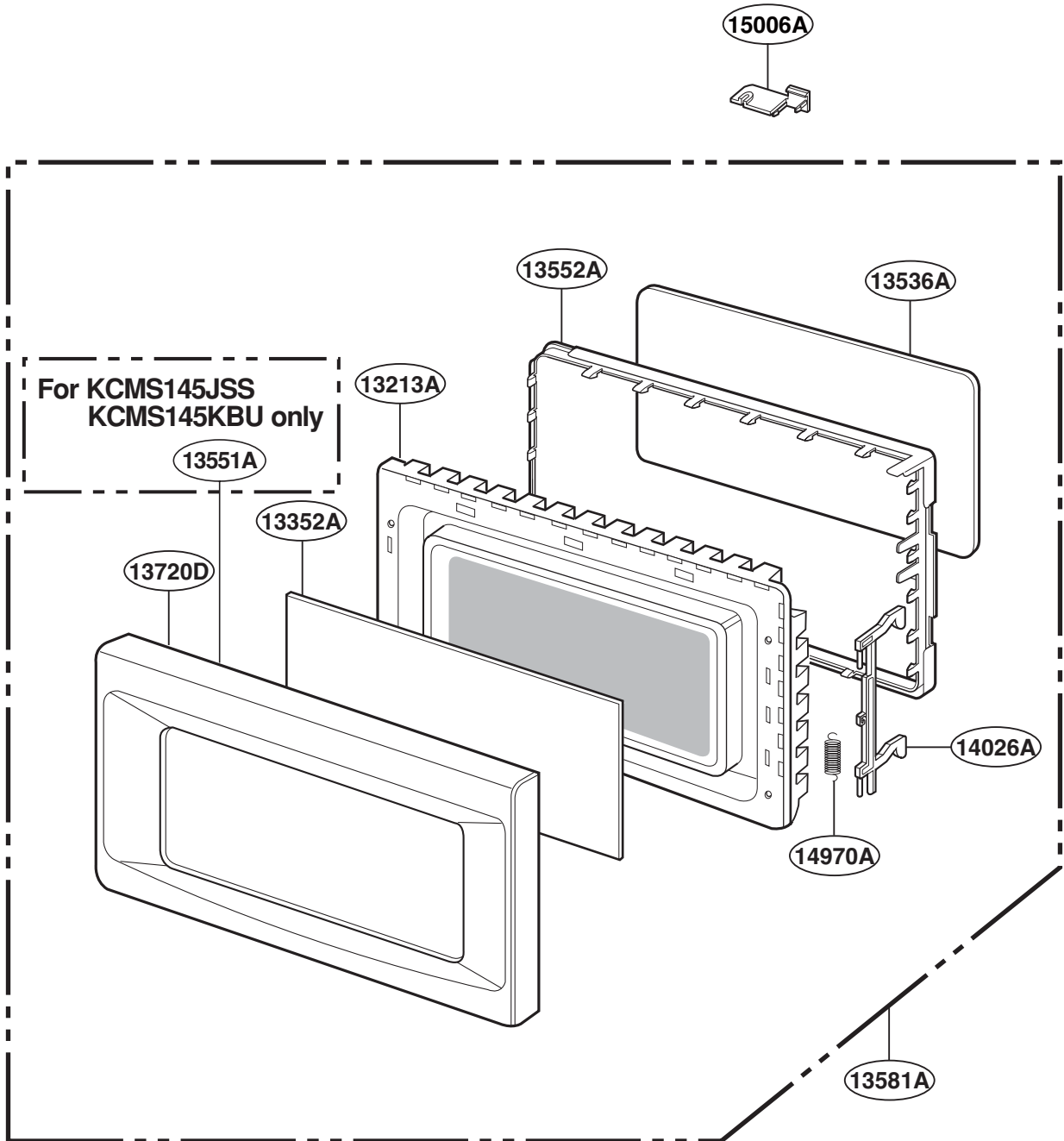
# EXPLODED VIEW

## INTRODUCTION

Model : KCMS145JBL  
KCMS145JBT  
KCMS145JWH  
KCMS145JSS  
KCMS145KBU

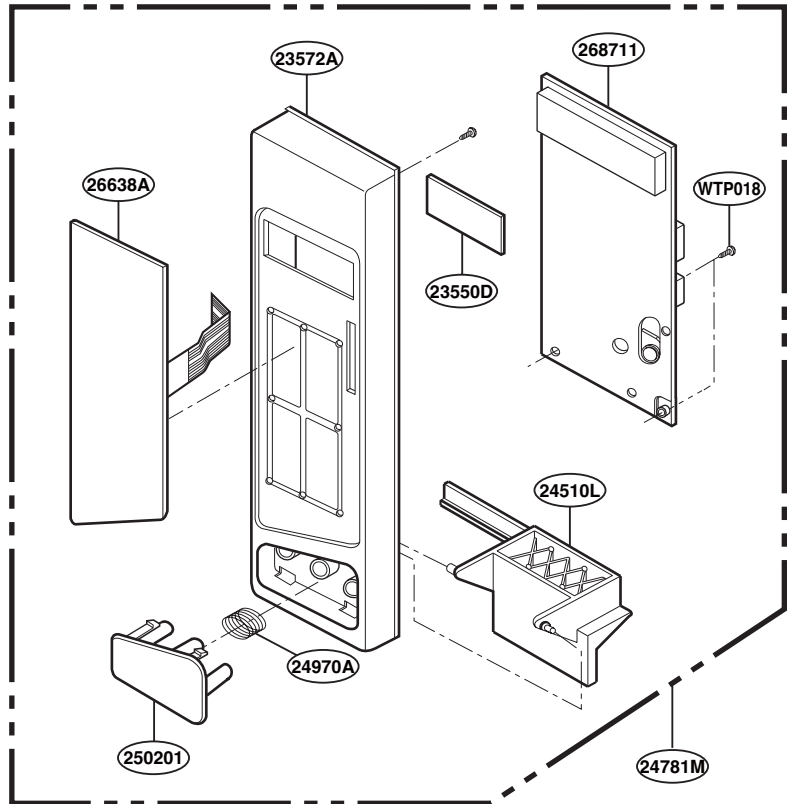


# DOOR PARTS

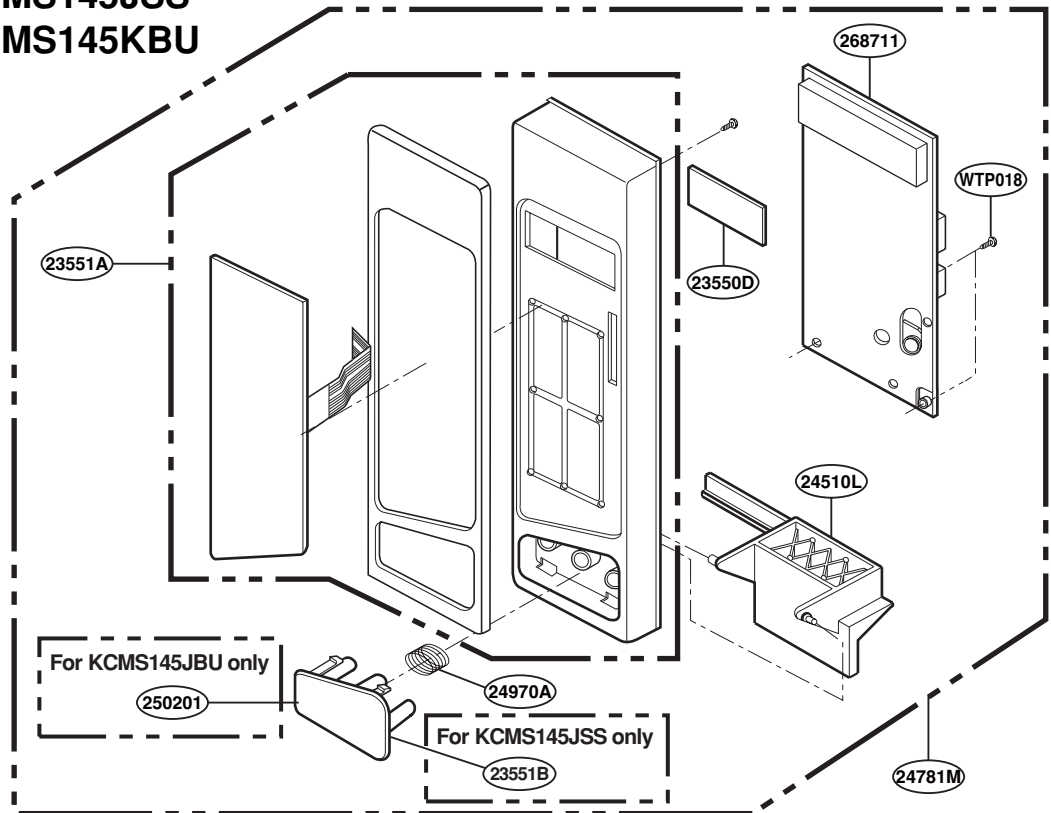


# CONTROL PANEL PARTS

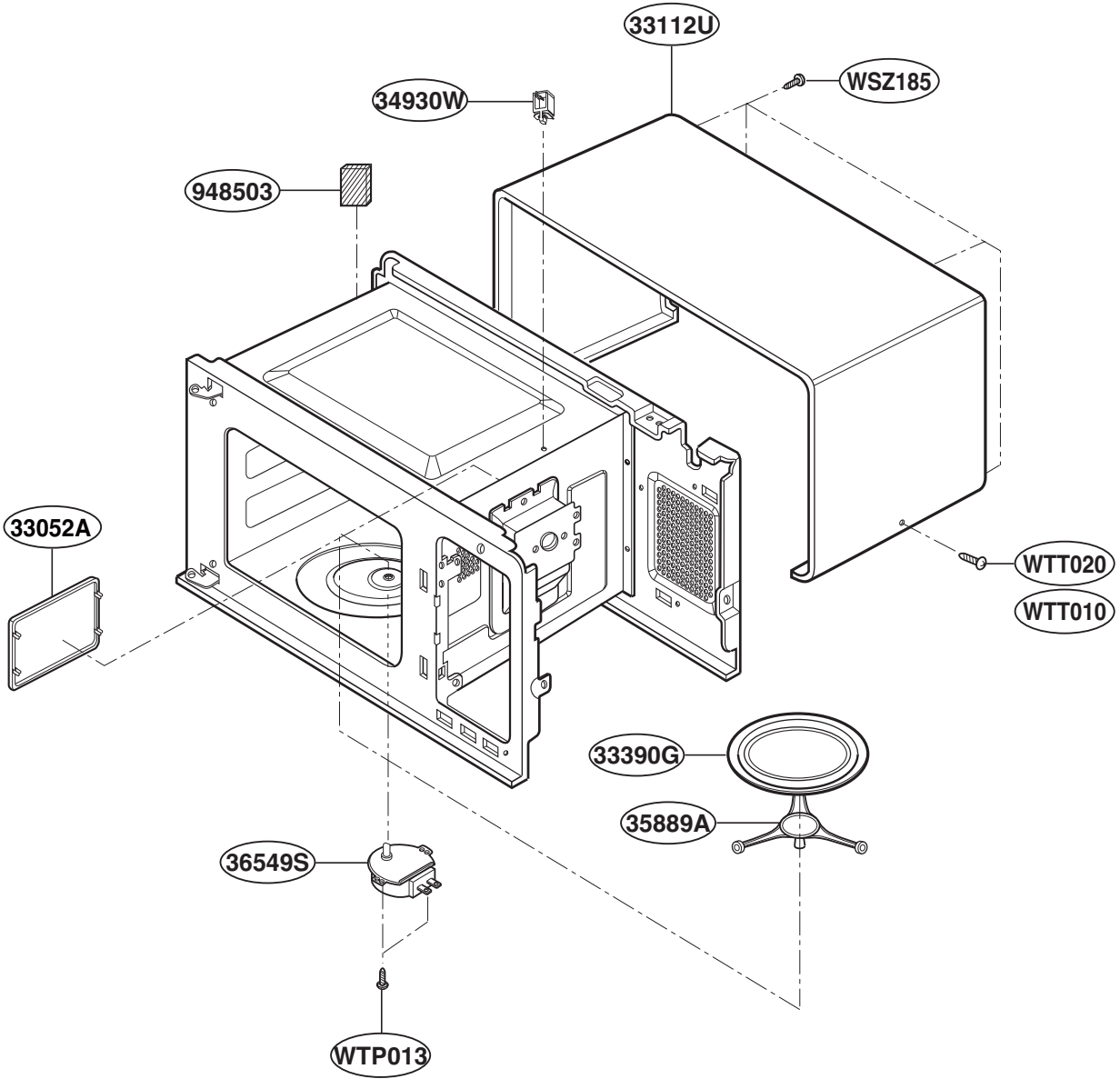
For Model : KCMS145JBL  
KCMS145JBT  
KCMS145JWH



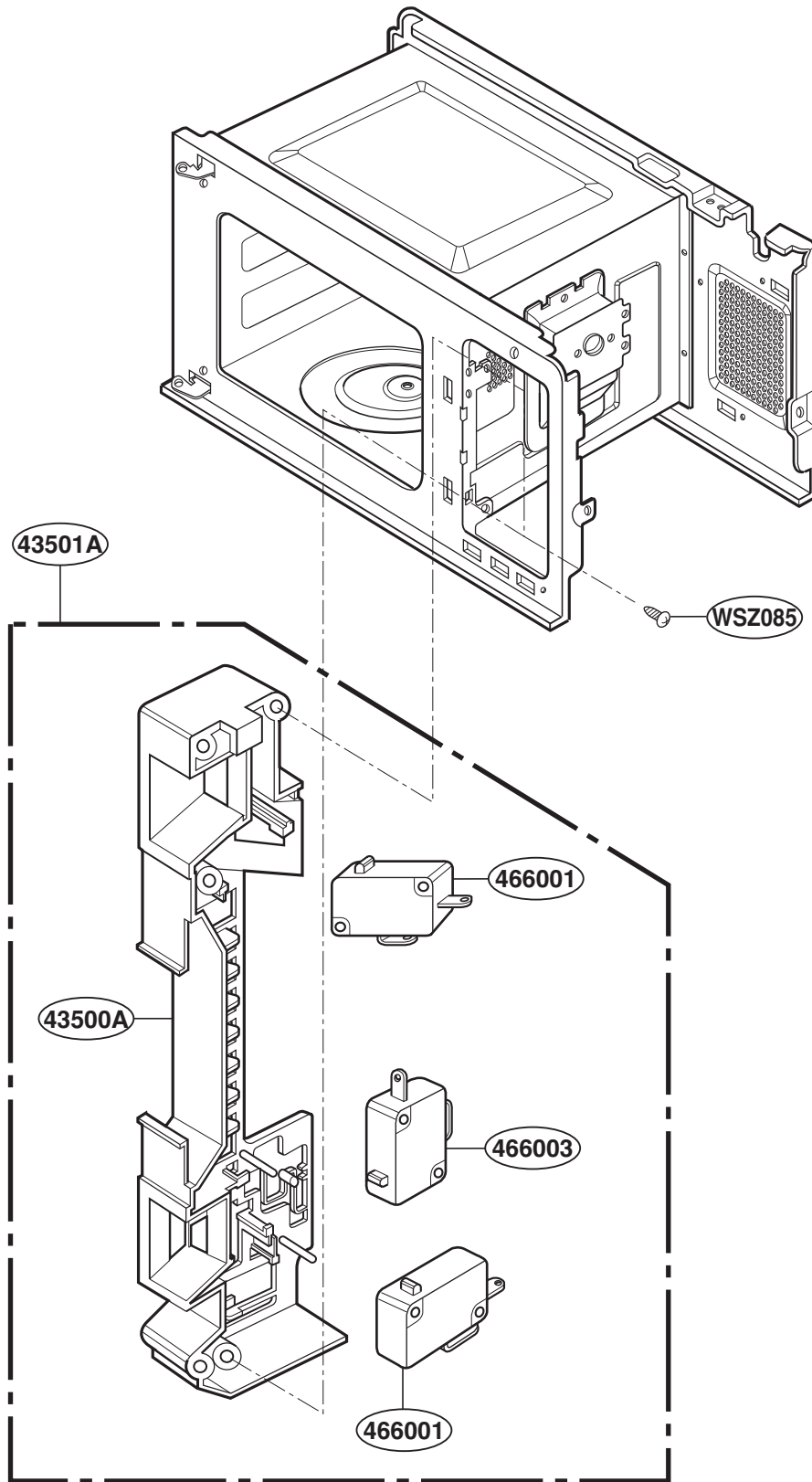
For Model : KCMS145JSS  
KCMS145KBU



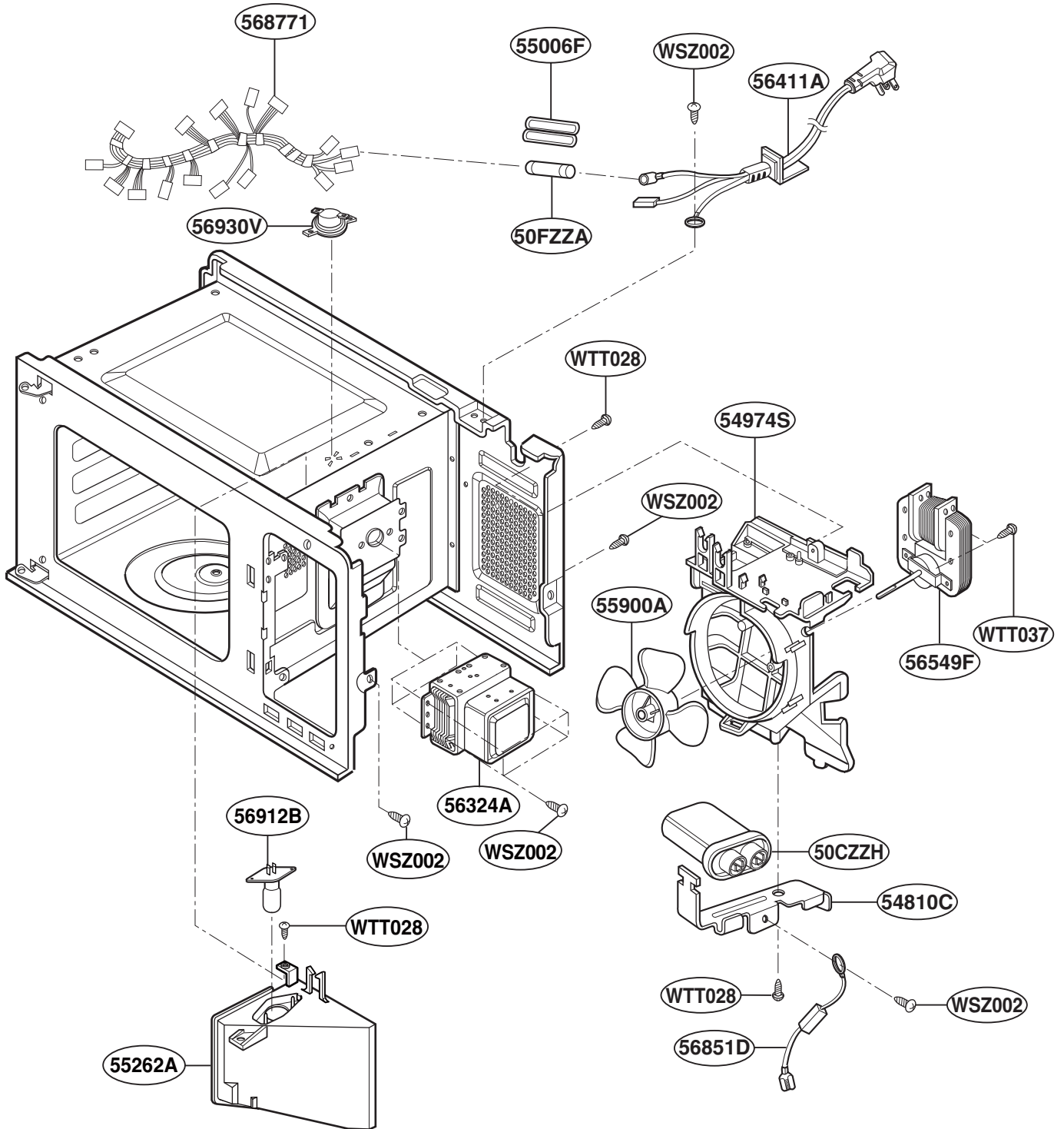
# OVEN CAVITY PARTS



# LATCH BOARD PARTS



# INTERIOR PARTS





# SENSOR PARTS

