

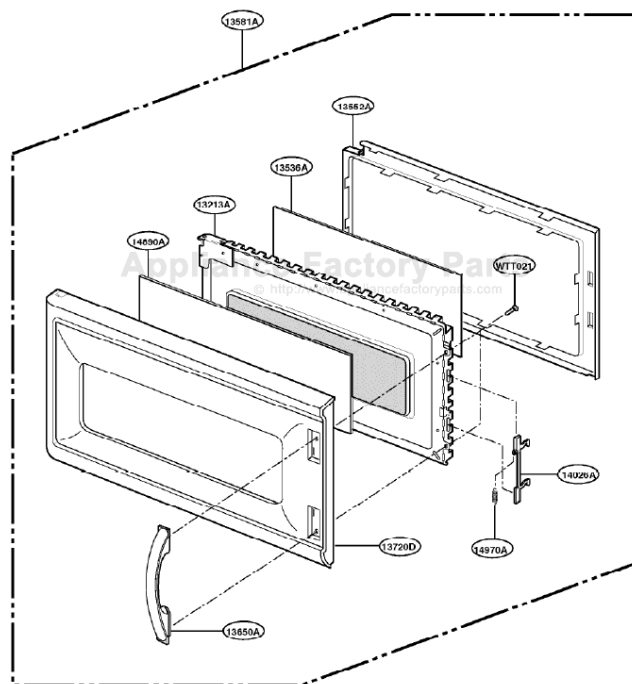
This Owner's Manual is provided and hosted by [Appliance Factory Parts](http://ApplianceFactoryParts.com).



# ROPER MHE13XKB-0 Owner's Manual

[Shop genuine replacement parts for ROPER  
MHE13XKB-0](#)

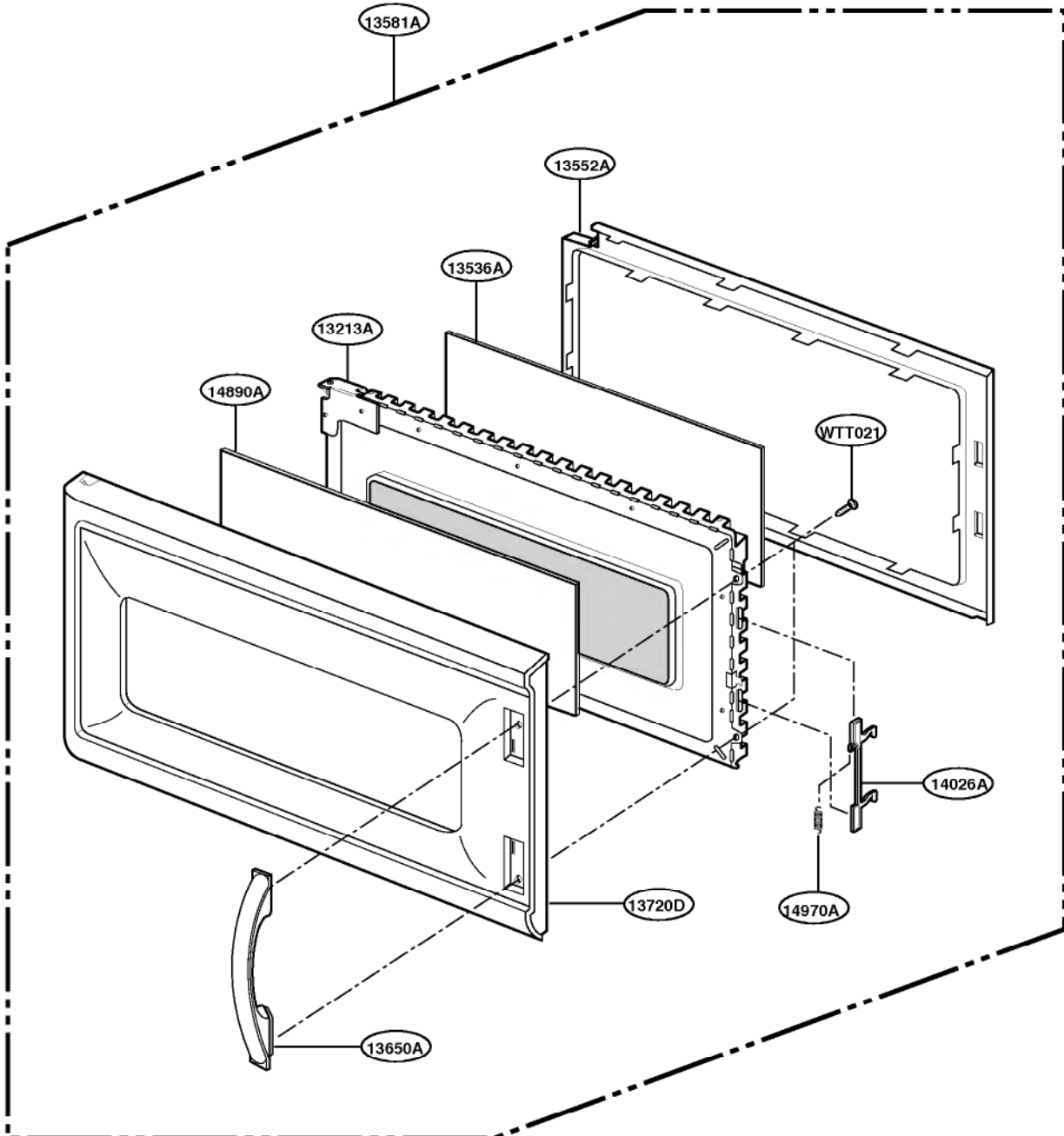
## DOOR PARTS



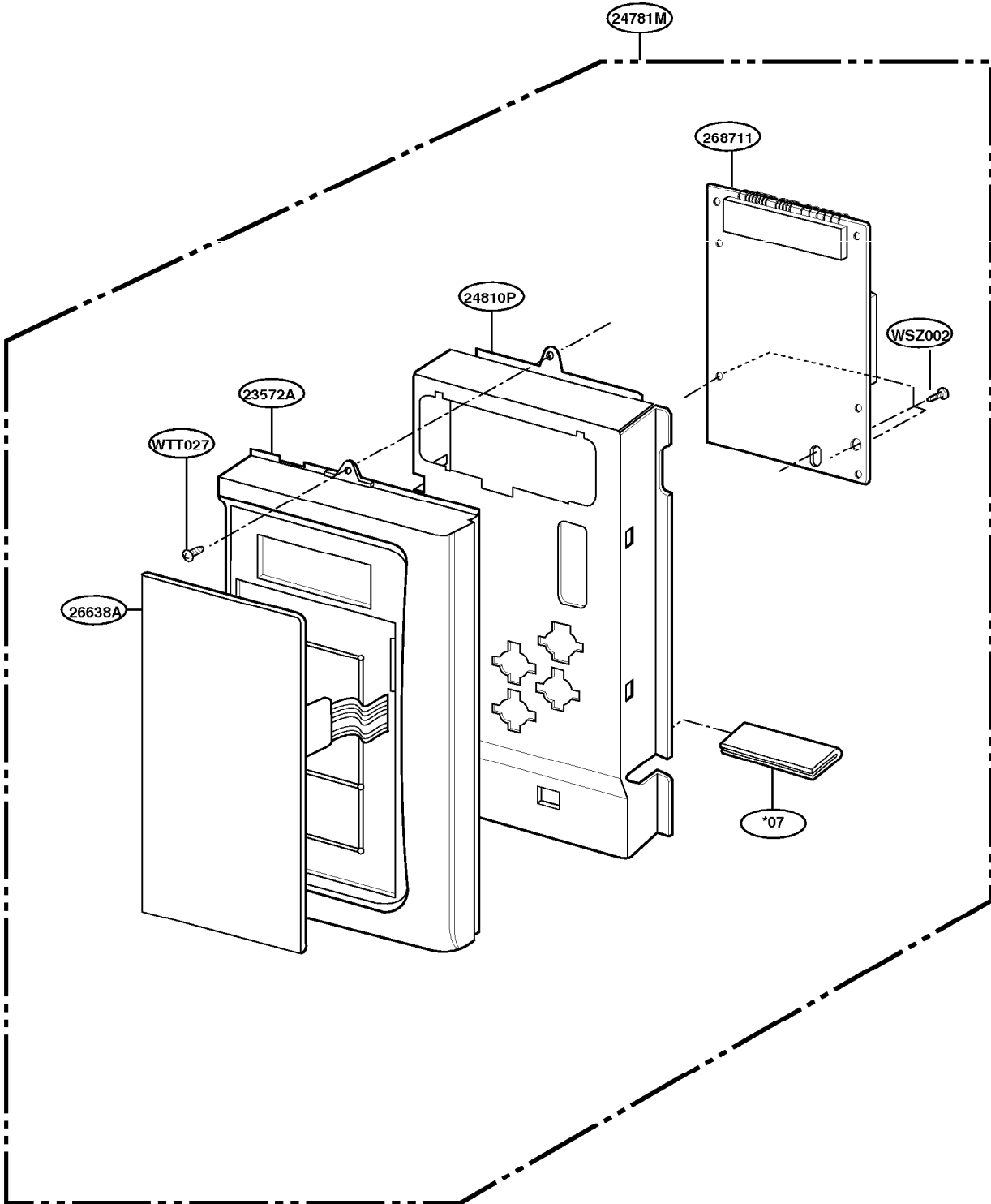
[Find Your ROPER Microwave Parts - Select From 11 Models](#)

----- Manual continues below -----

# DOOR PARTS

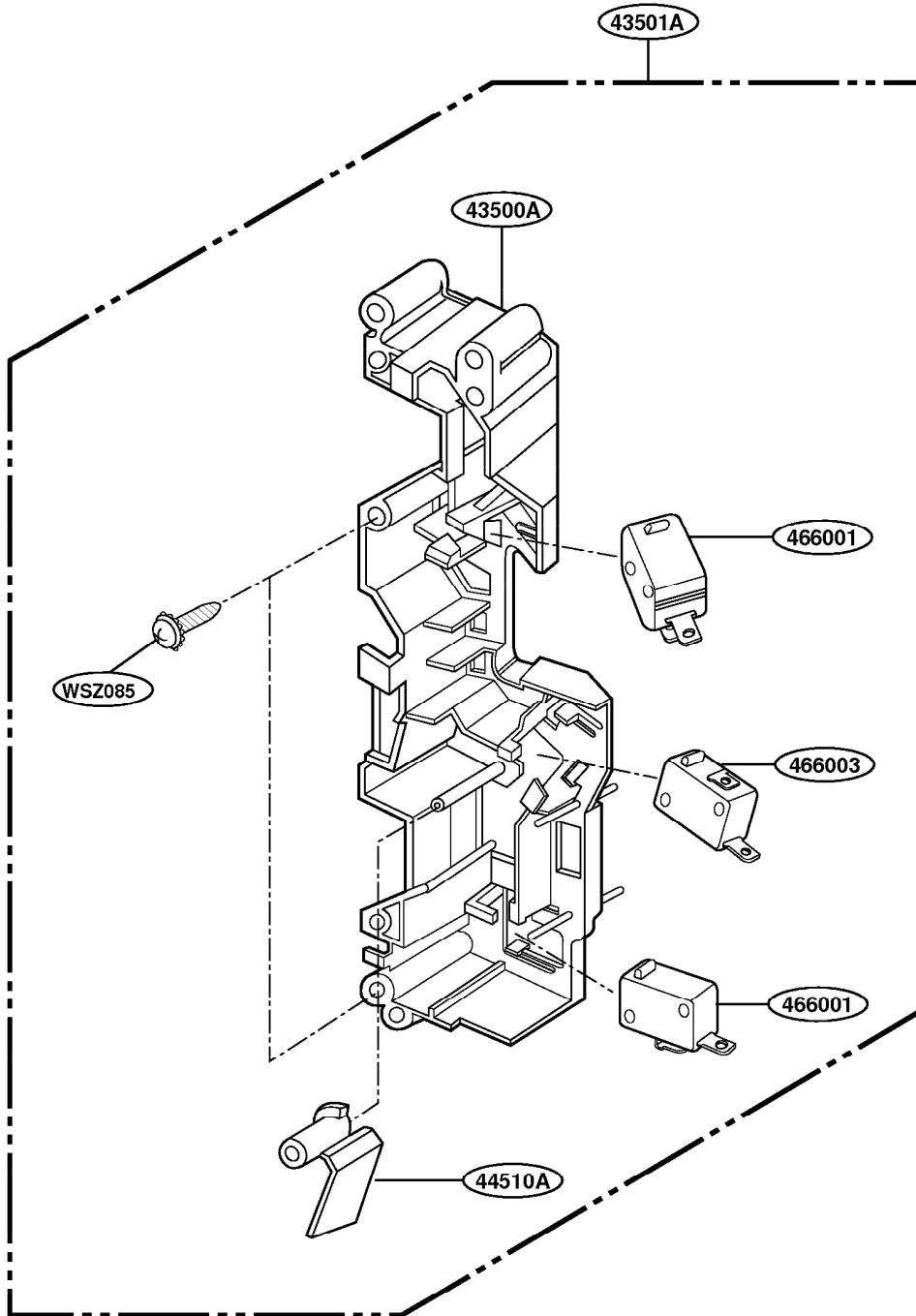


# CONTROLLER PARTS

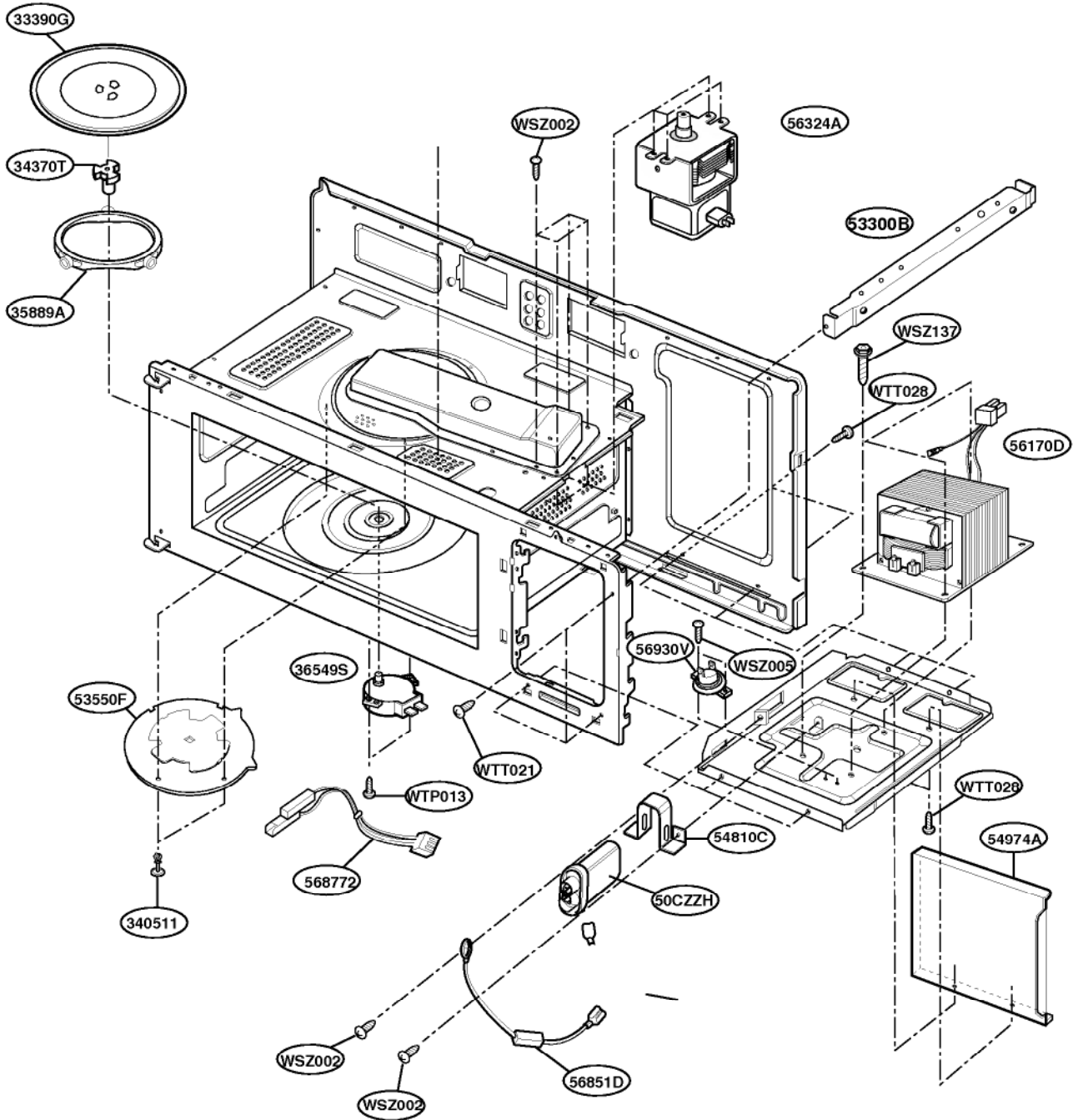




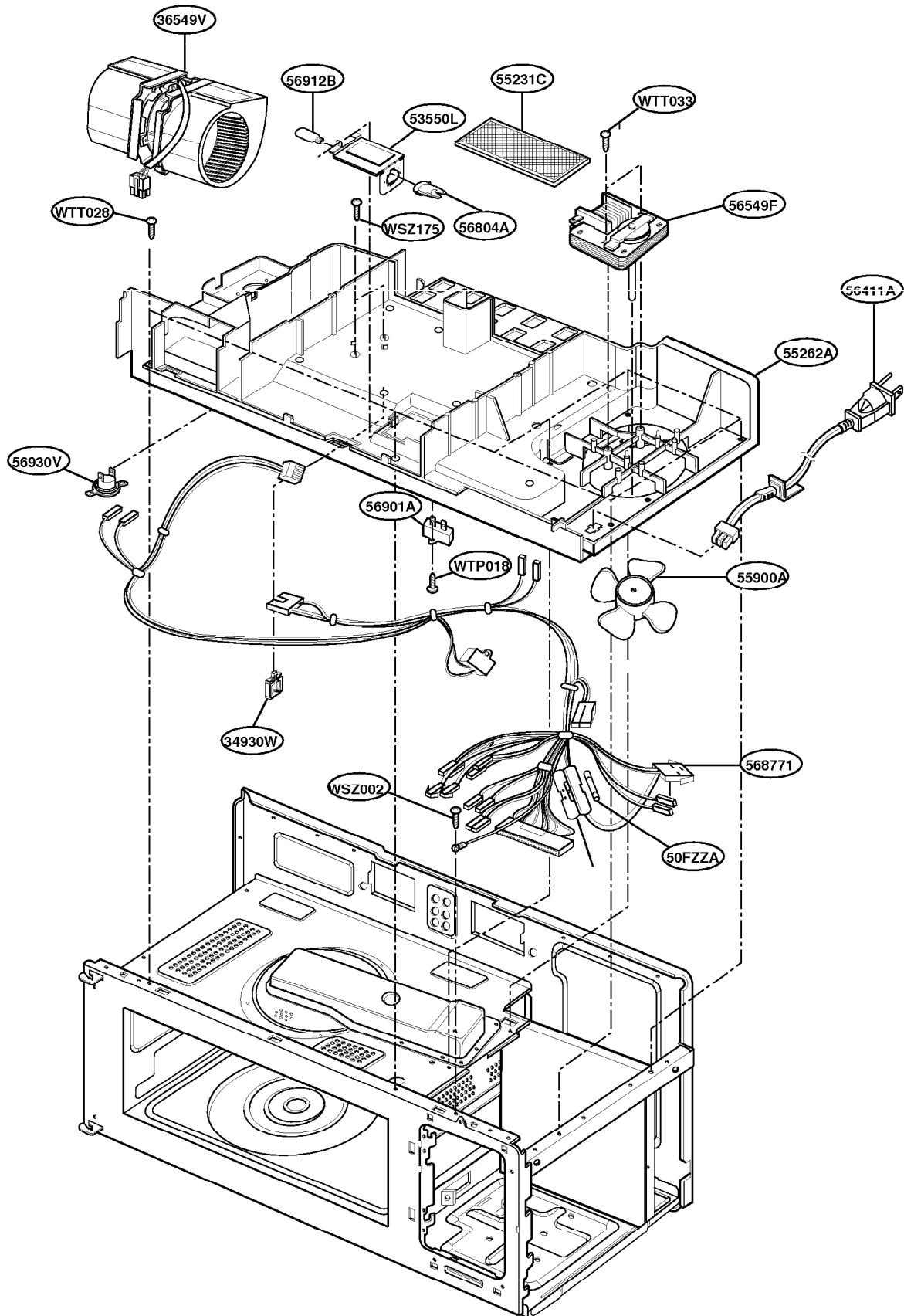
# LATCH BOARD PARTS



# INTERIOR PARTS ( I )



# INTERIOR PARTS ( II )



# INSTALLATION PARTS

