

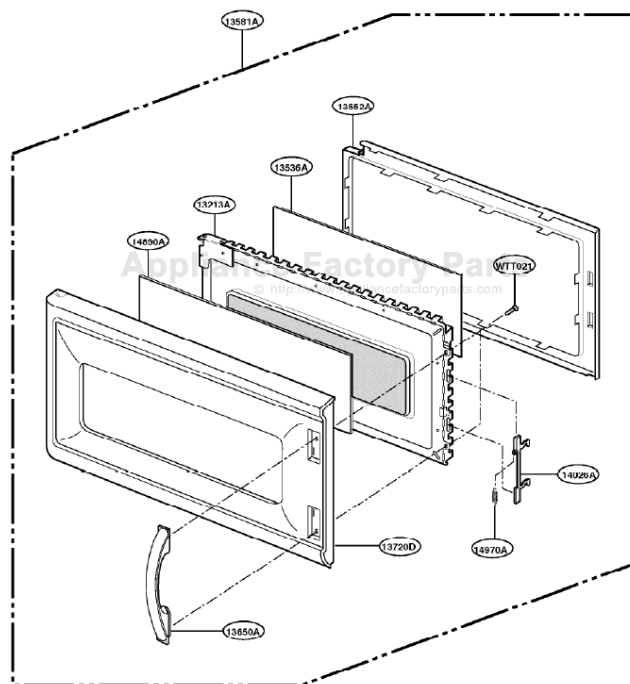
This Owner's Manual is provided and hosted by [Appliance Factory Parts](http://ApplianceFactoryParts.com).



ROPER MHE13XKQ-0 Owner's Manual

[Shop genuine replacement parts for ROPER
MHE13XKQ-0](#)

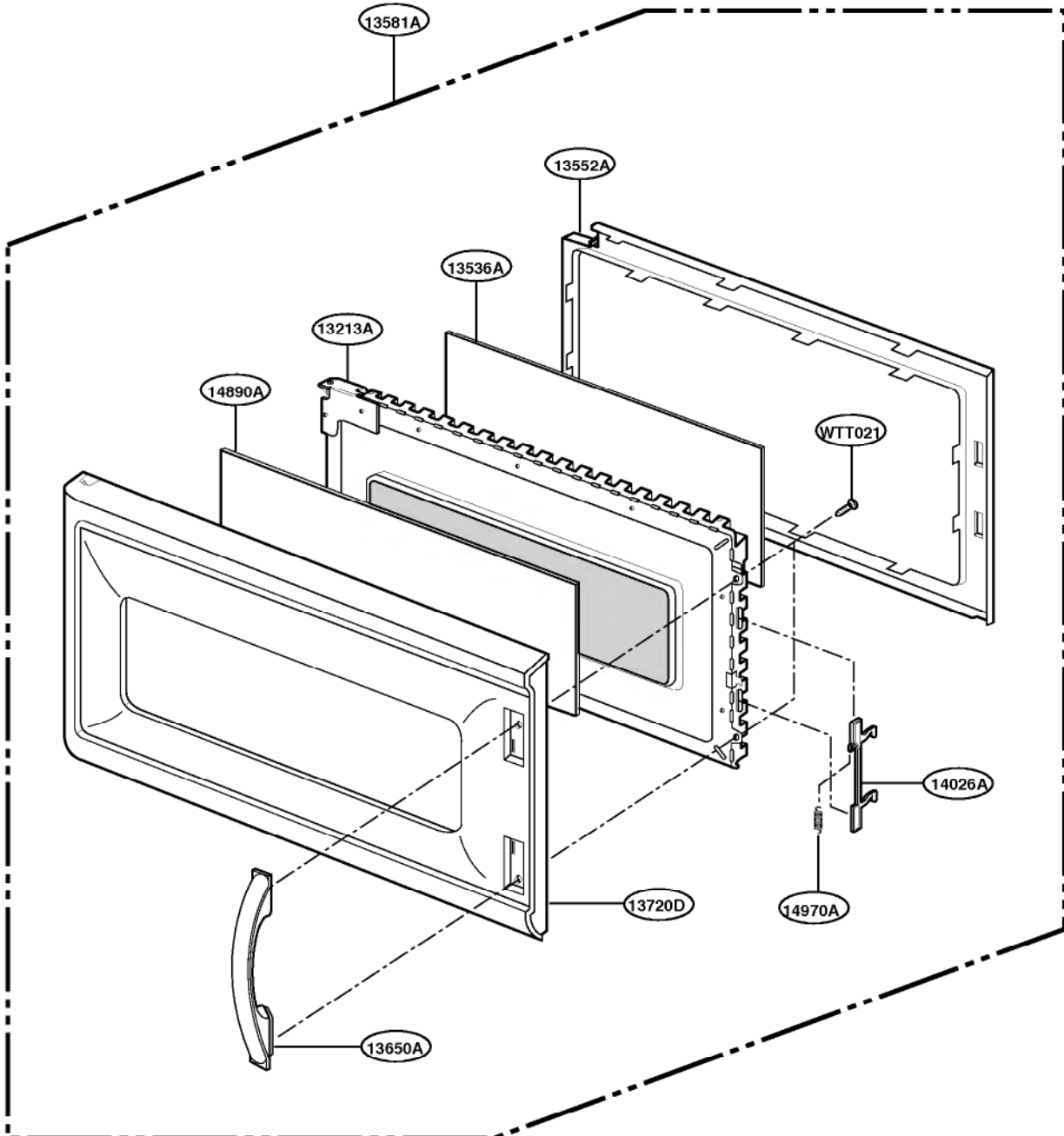
DOOR PARTS



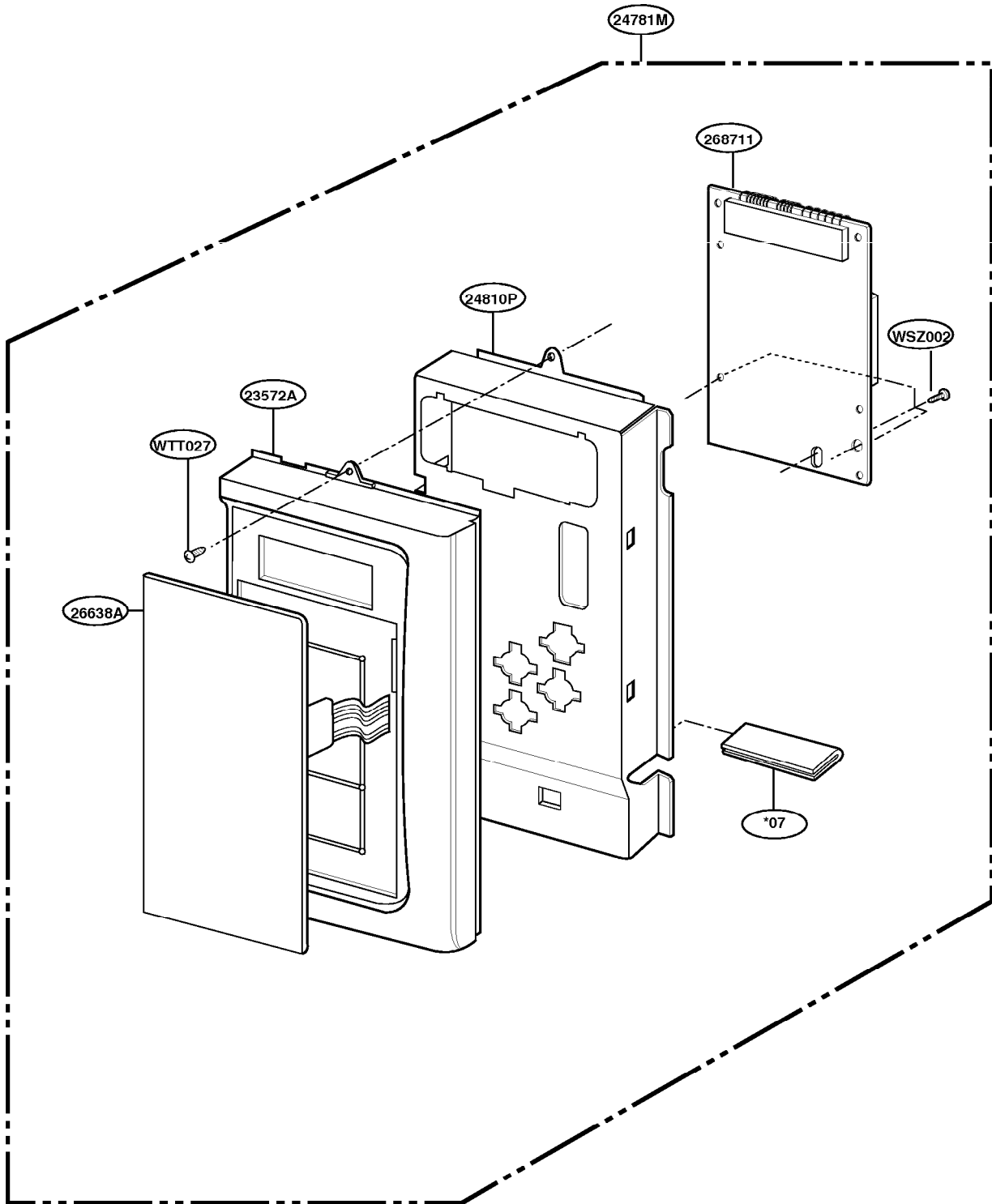
[Find Your ROPER Microwave Parts - Select From 11 Models](#)

----- Manual continues below -----

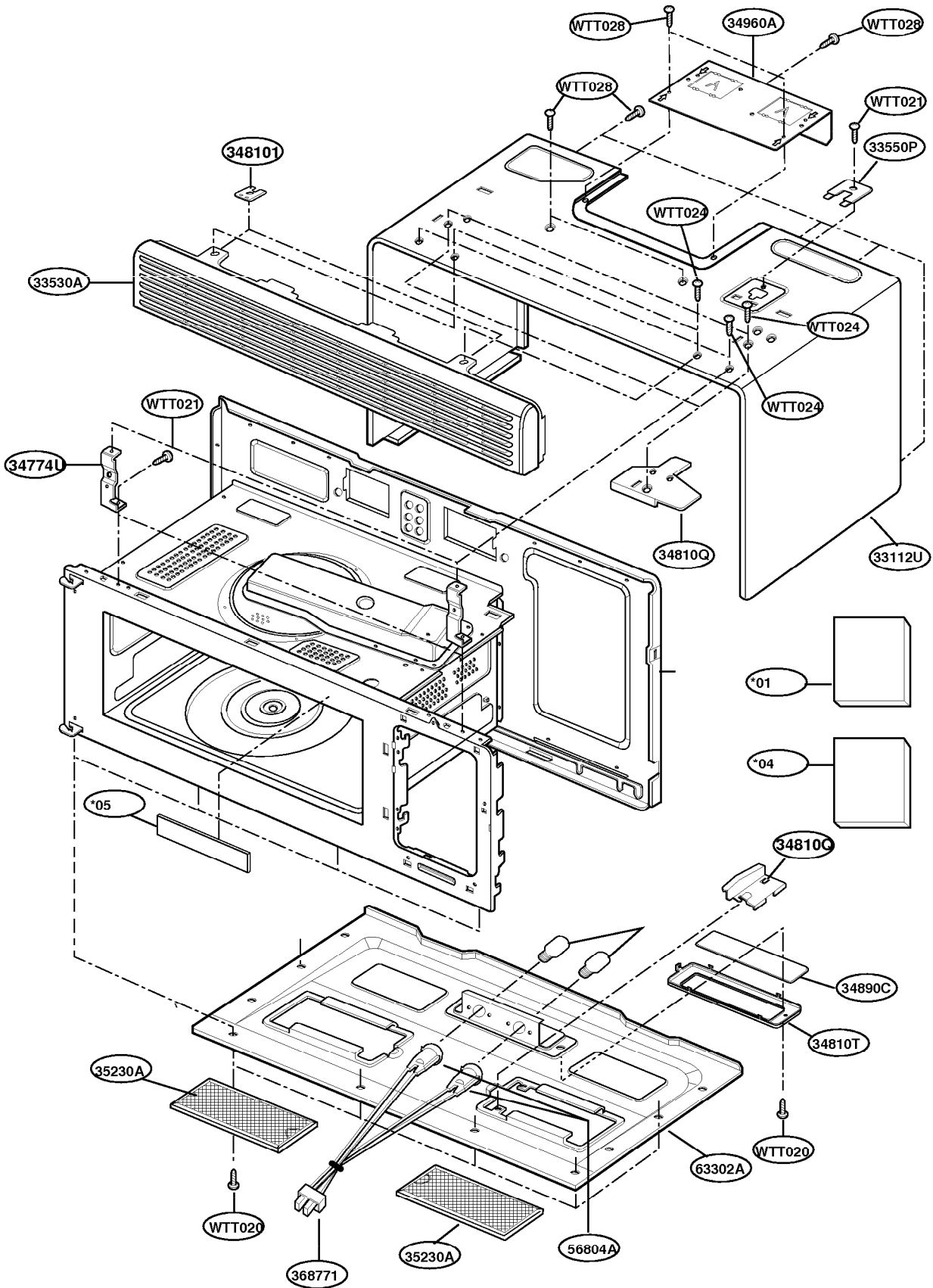
DOOR PARTS



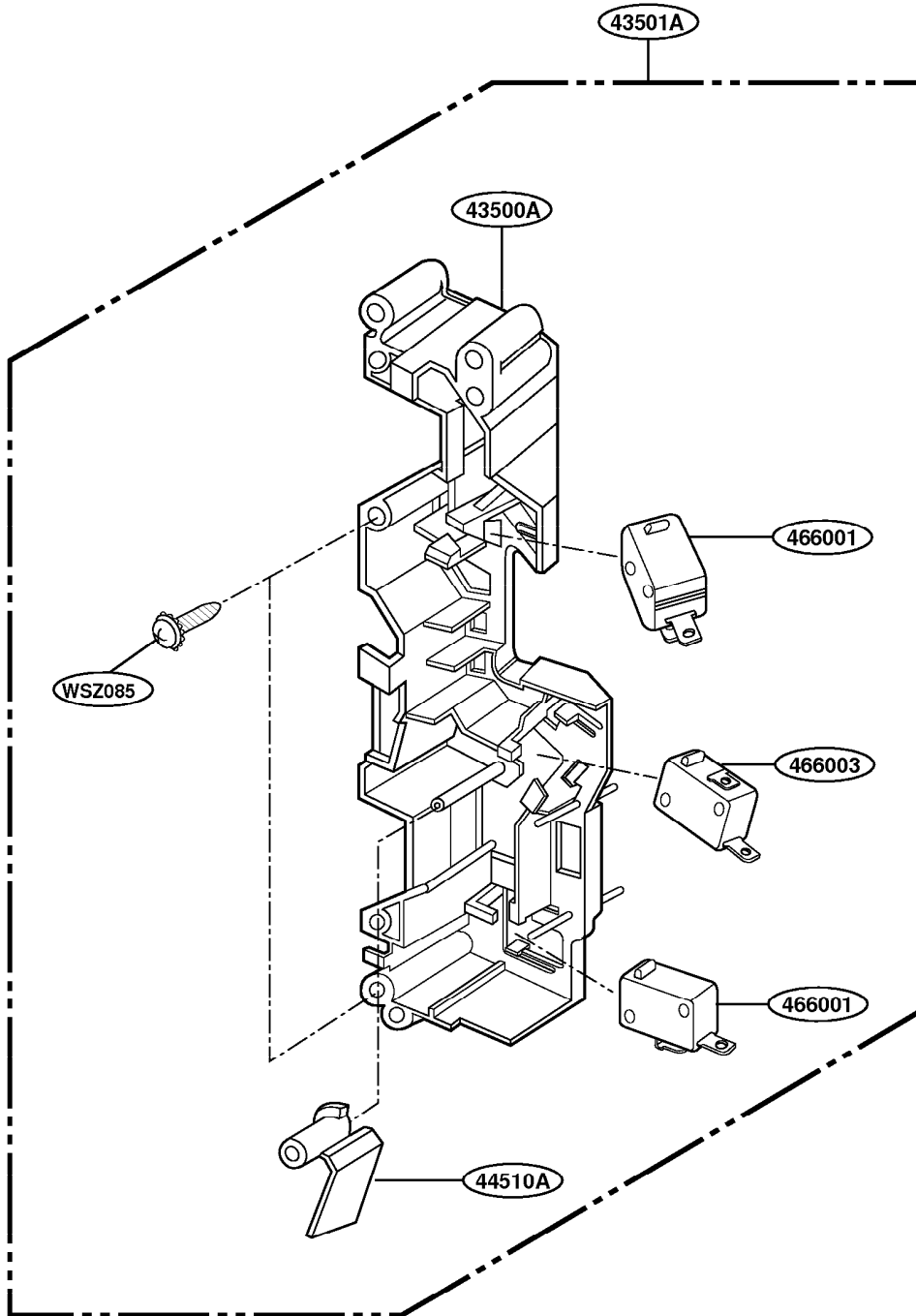
CONTROLLER PARTS



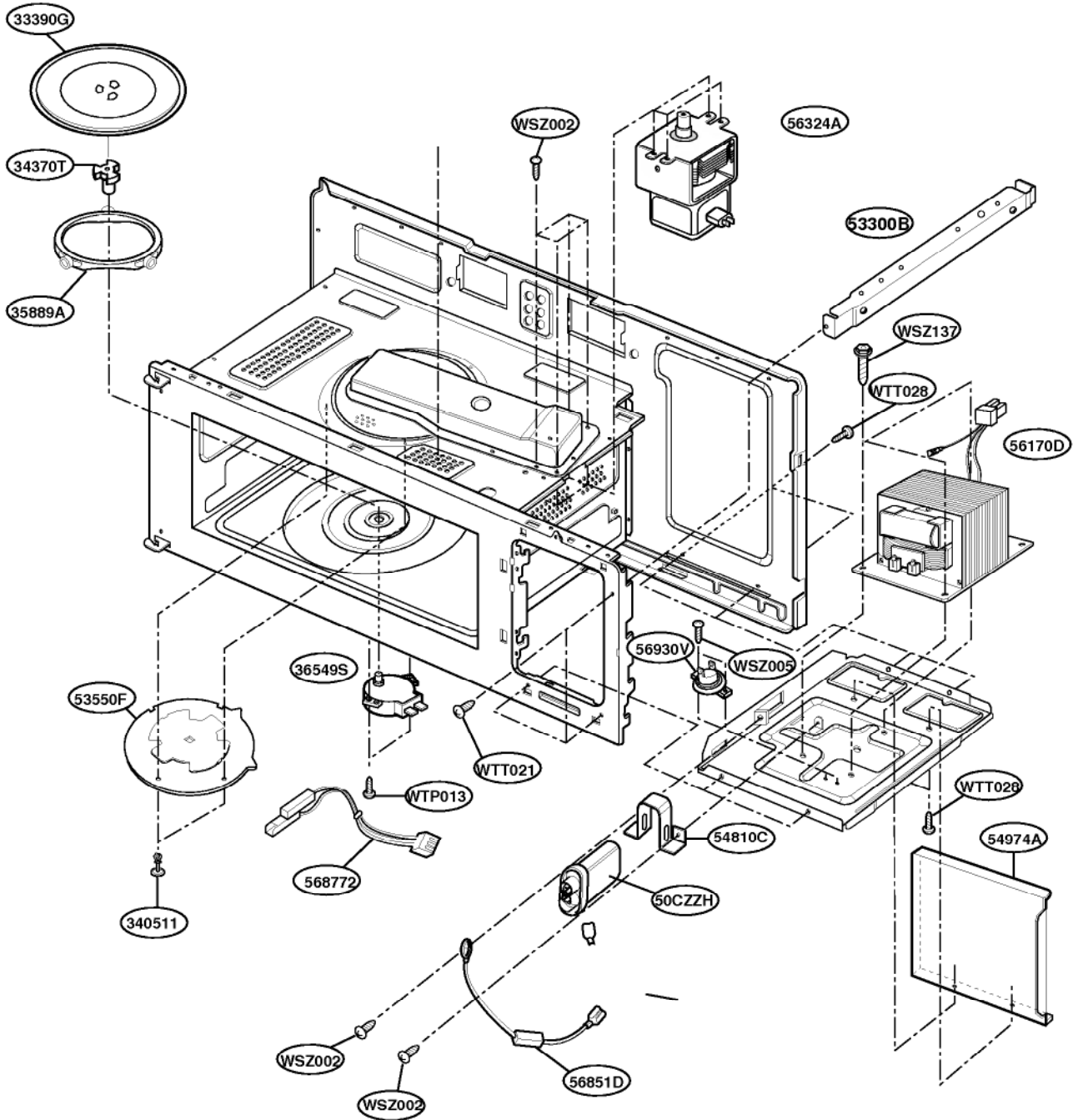
OVEN CAVITY PARTS



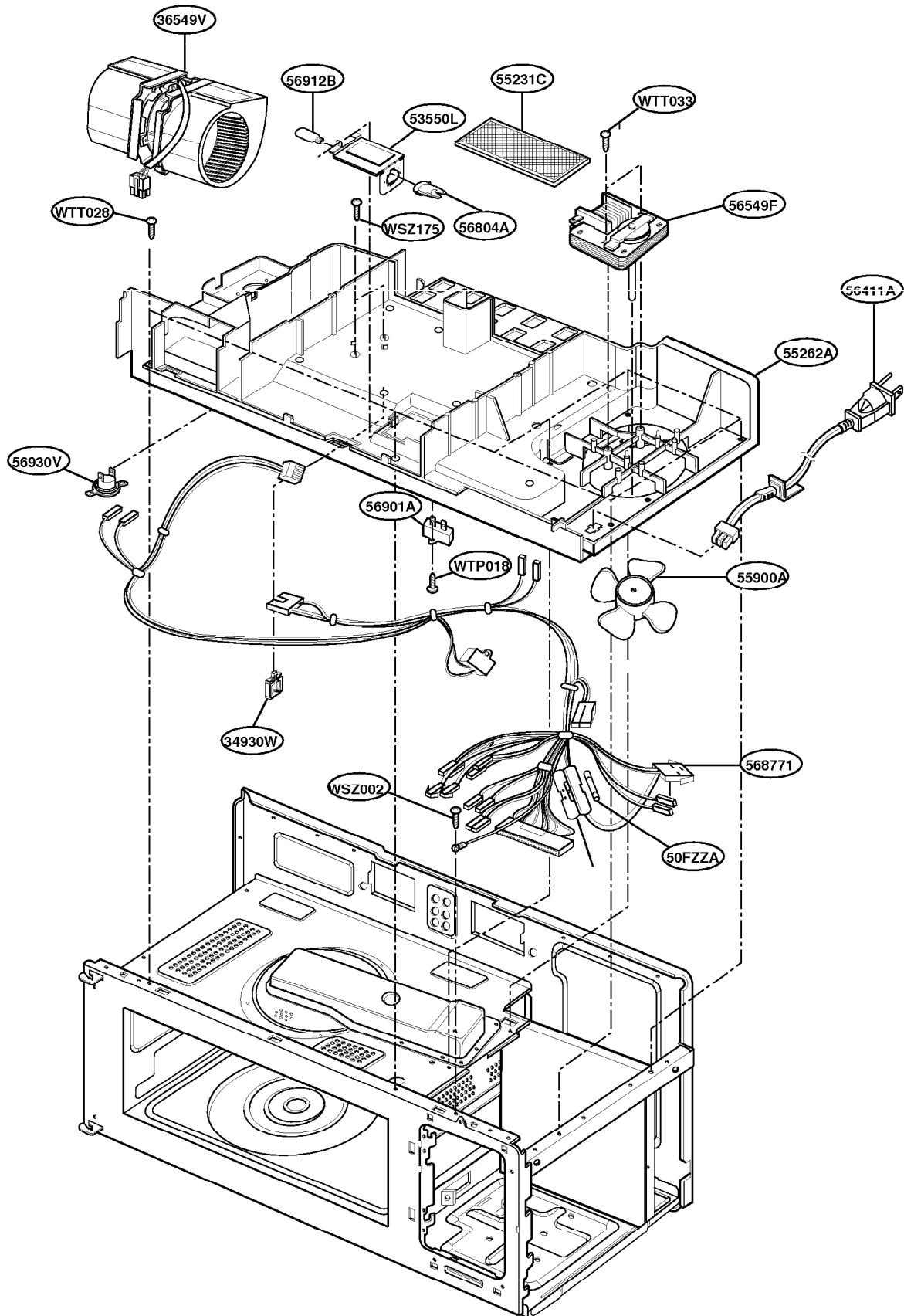
LATCH BOARD PARTS



INTERIOR PARTS (I)



INTERIOR PARTS (II)



INSTALLATION PARTS

