

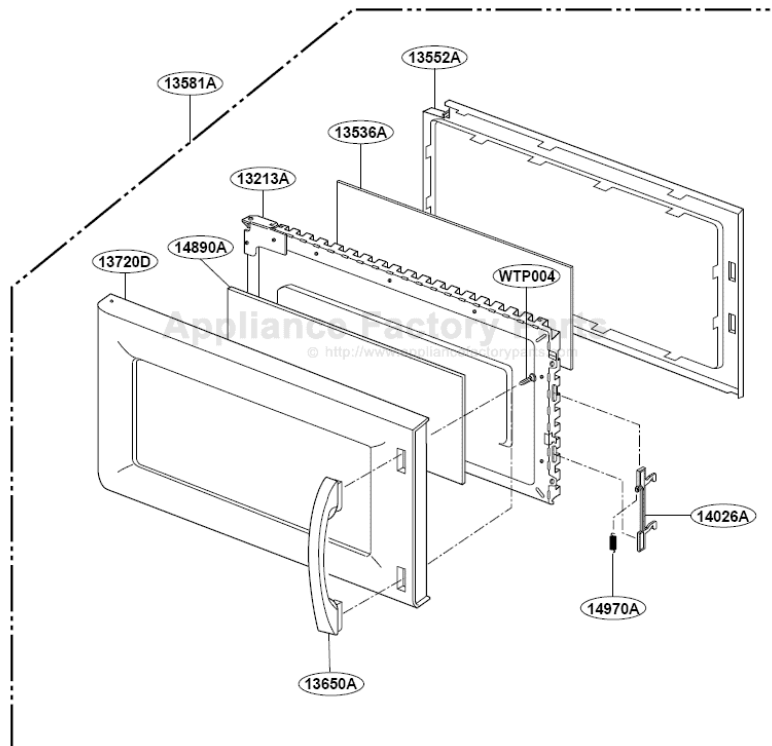
This Owner's Manual is provided and hosted by [Appliance Factory Parts](#).



# ROPER MHE14XKB-2 Owner's Manual

[Shop genuine replacement parts for ROPER  
MHE14XKB-2](#)

## DOOR PARTS



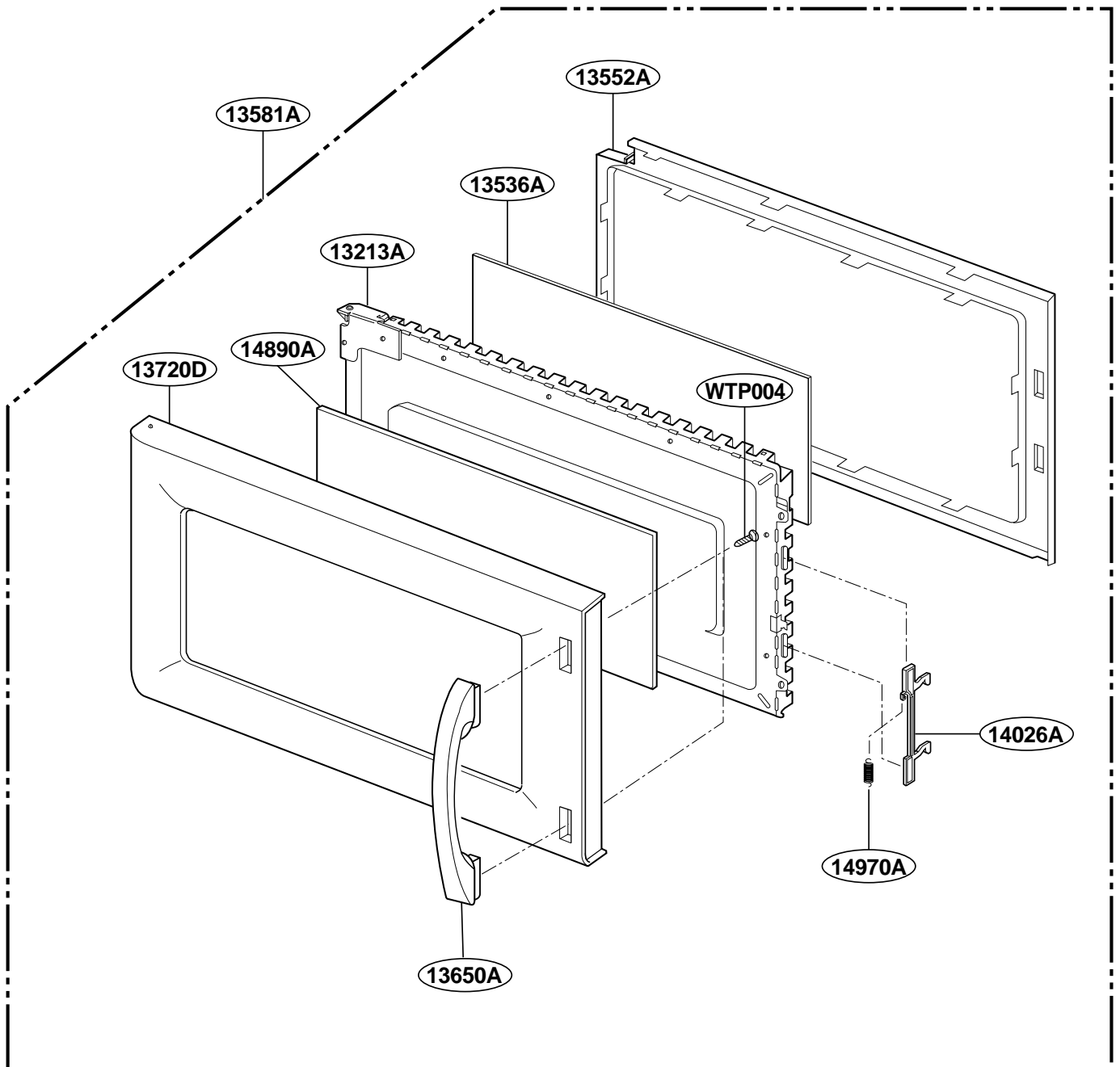
[Find Your ROPER Microwave Parts - Select From 11 Models](#)

----- Manual continues below -----

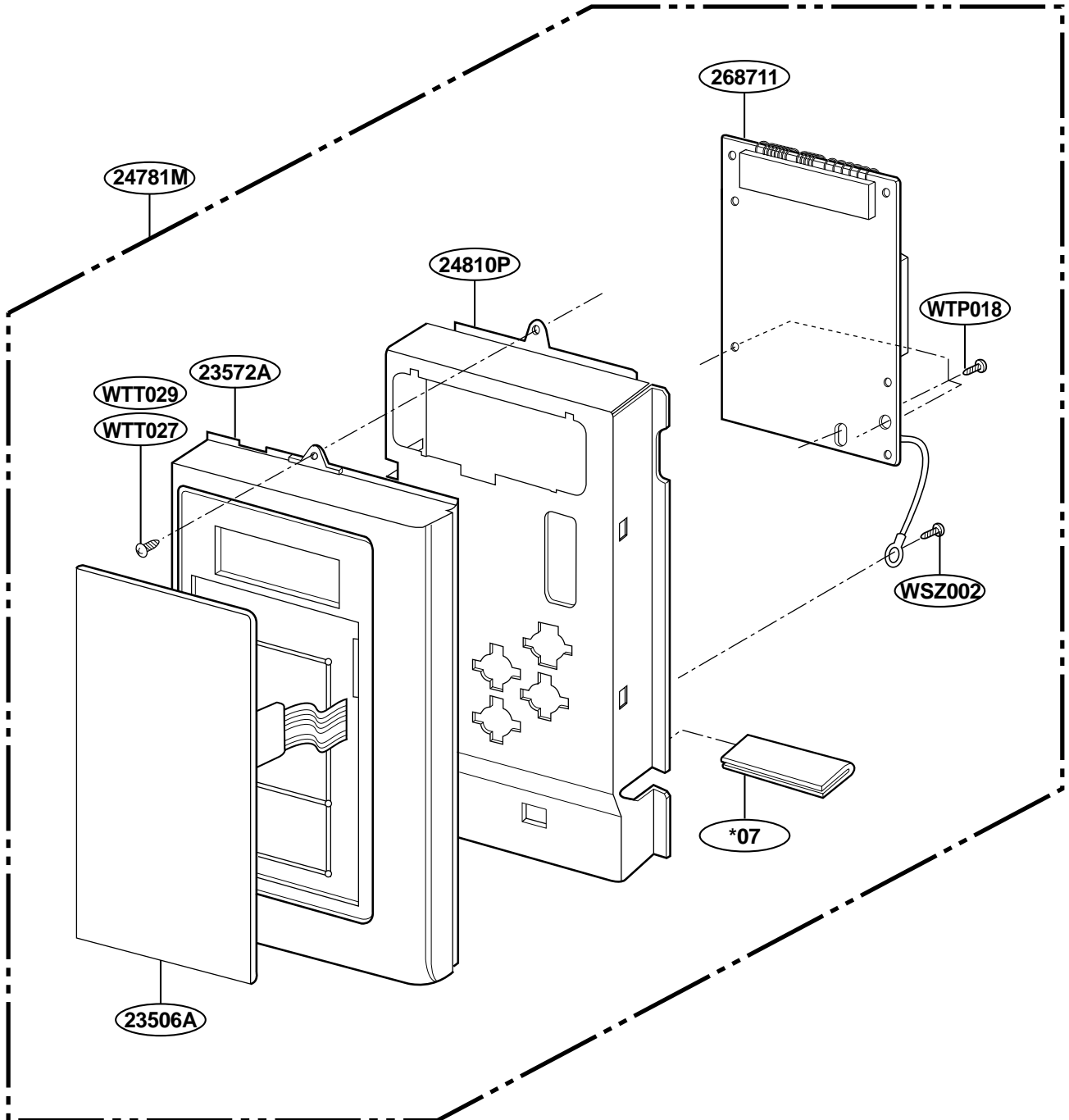
# EXPLODED VIEW

MODEL : MHE14XK

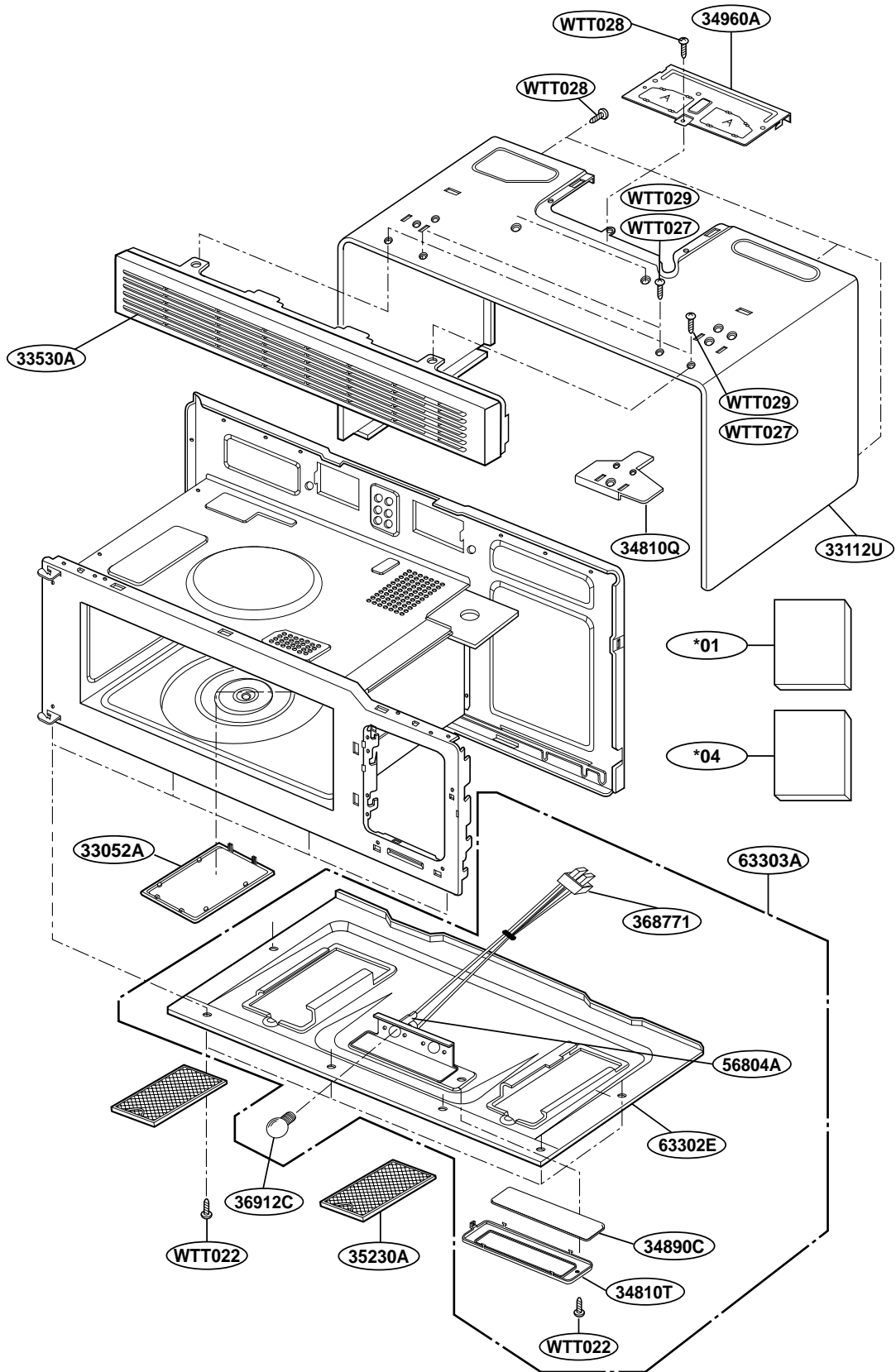
## DOOR PARTS



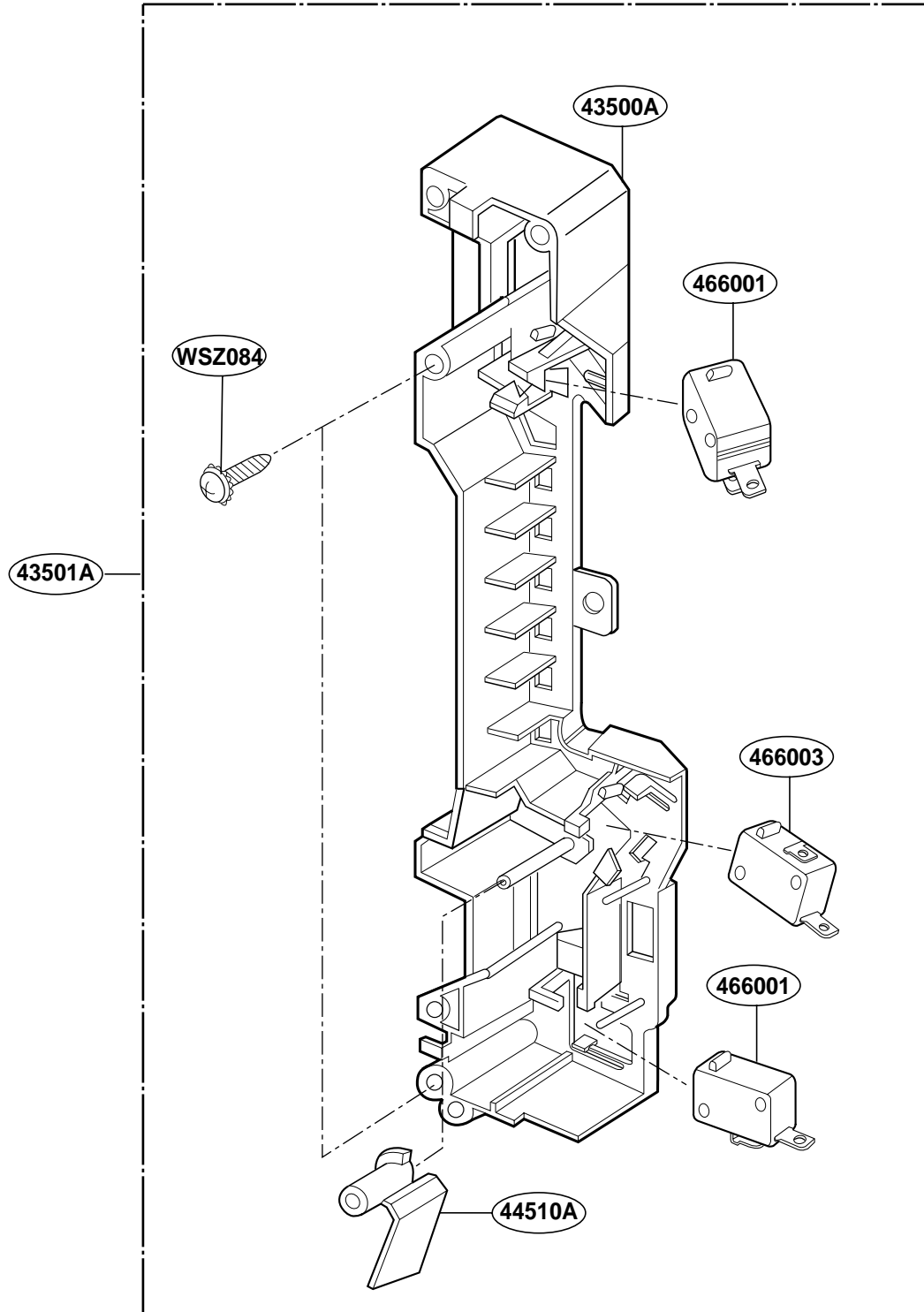
# CONTROLLER PARTS



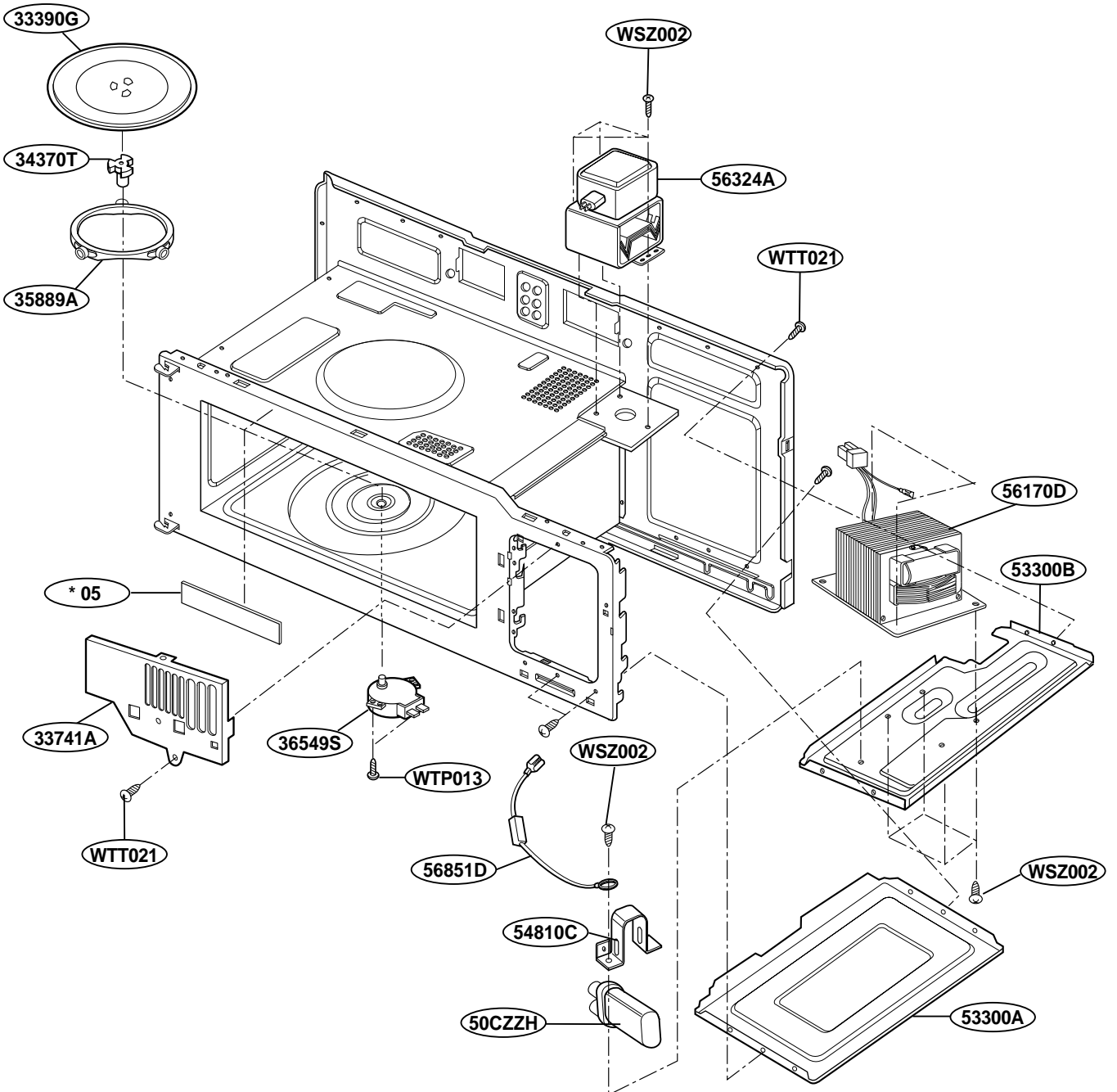
# OVEN CAVITY PARTS



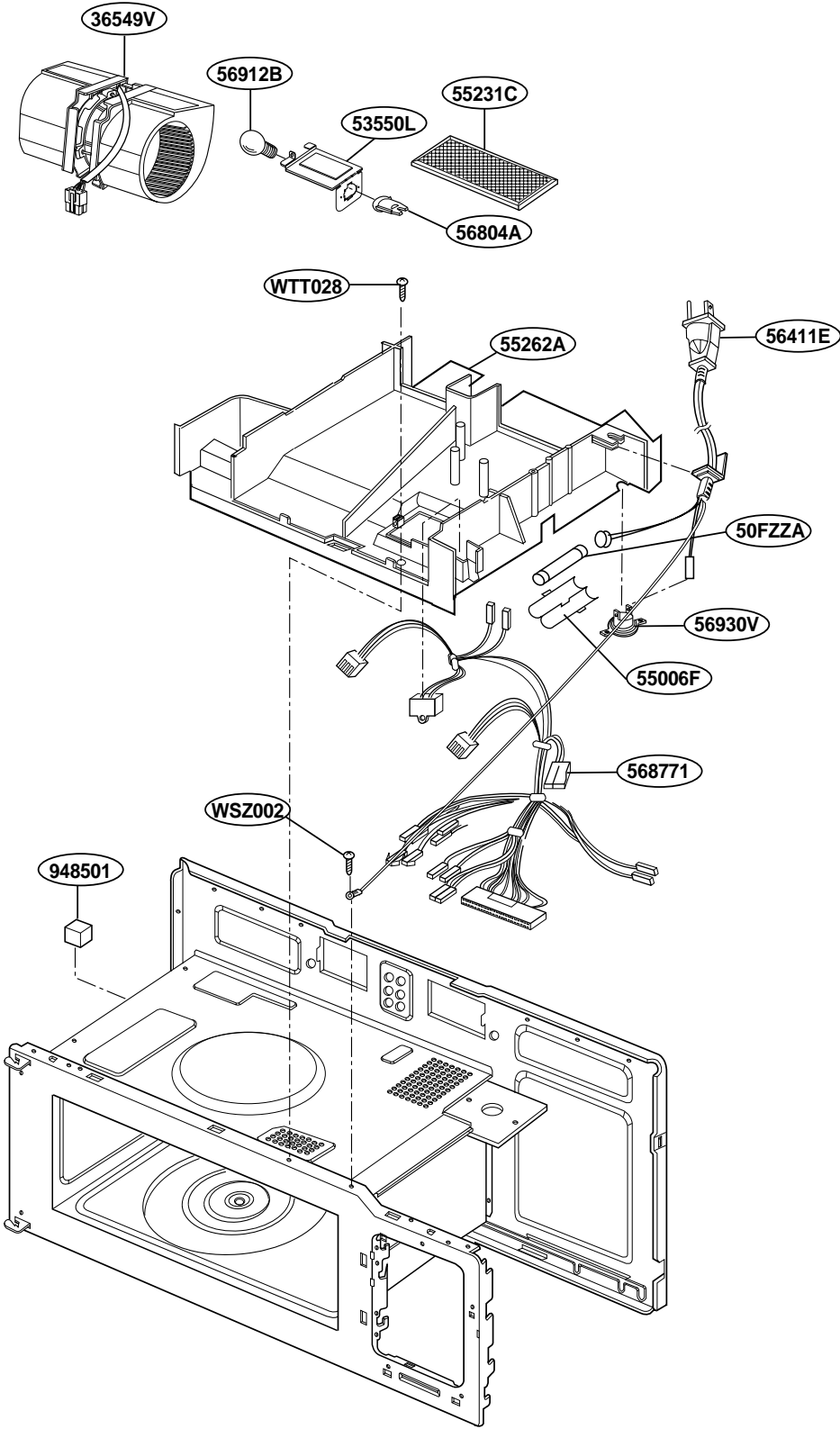
# LATCH BOARD PARTS



# INTERIOR PARTS(I)



# INTERIOR PARTS (II)



# INSTALLATION PARTS

