

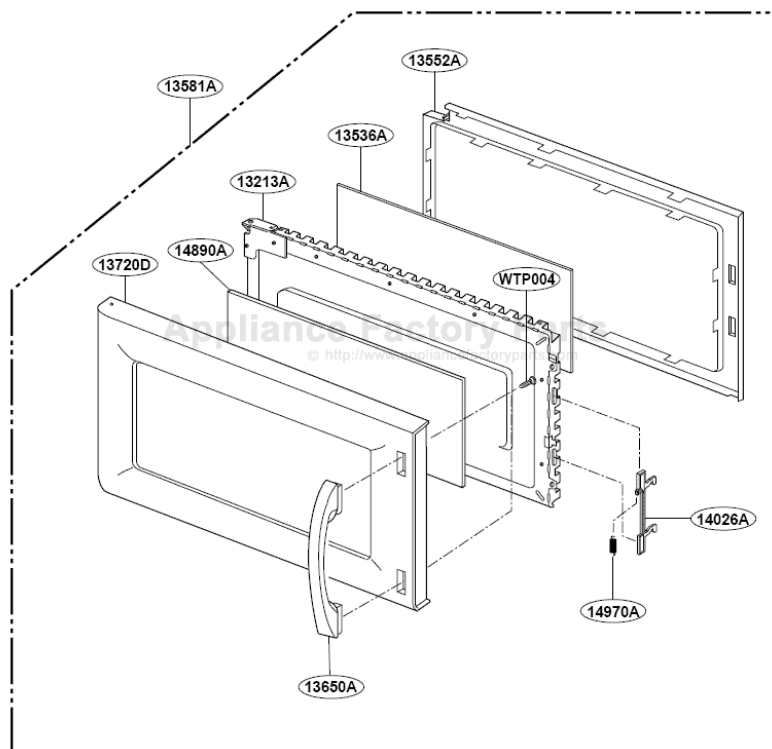
This Owner's Manual is provided and hosted by [Appliance Factory Parts](#).



WHIRLPOOL MHE14XKQ-1 Owner's Manual

[Shop genuine replacement parts for WHIRLPOOL
MHE14XKQ-1](#)

DOOR PARTS



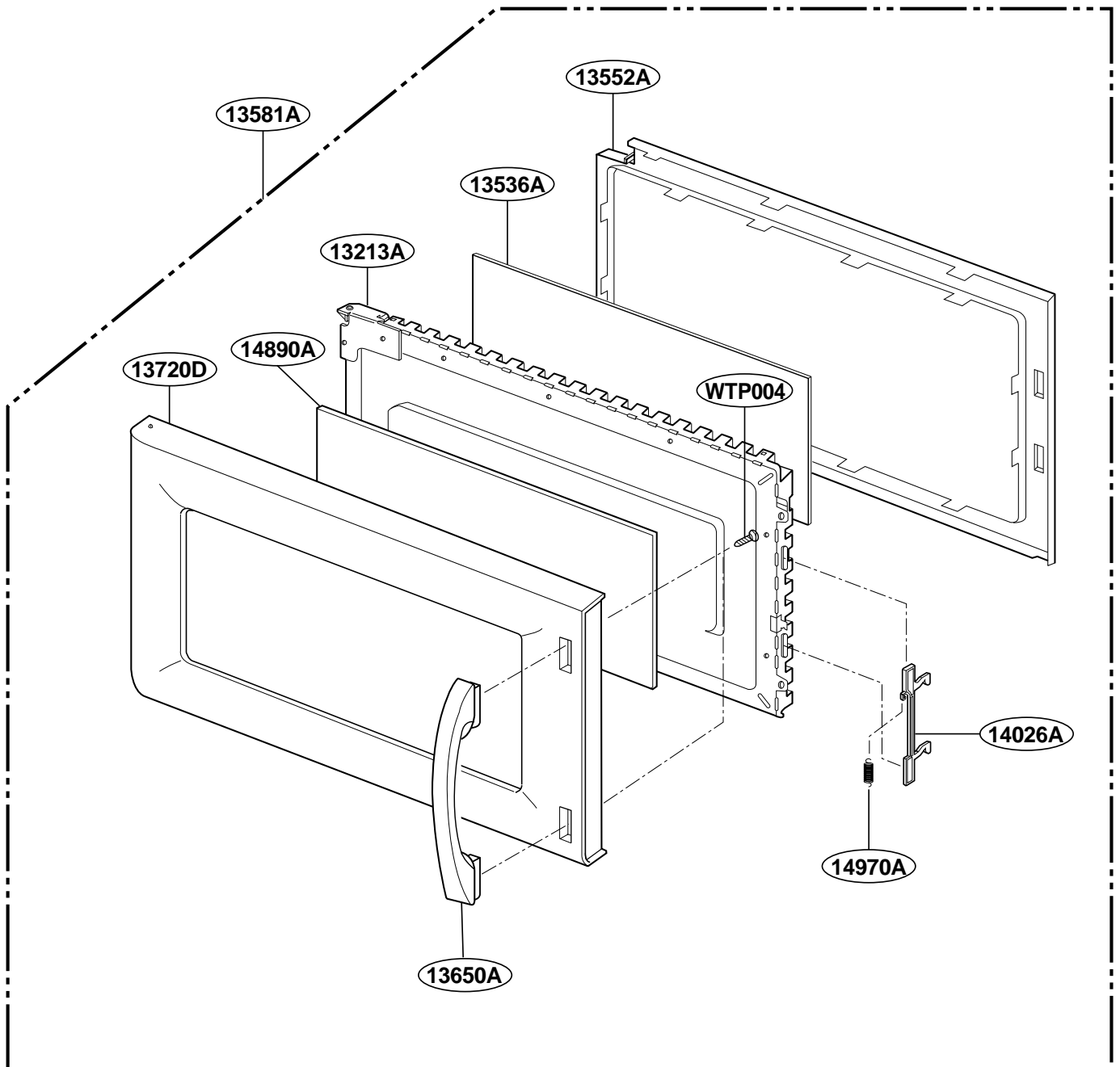
[Find Your WHIRLPOOL Microwave Parts - Select From 1350 Models](#)

----- Manual continues below -----

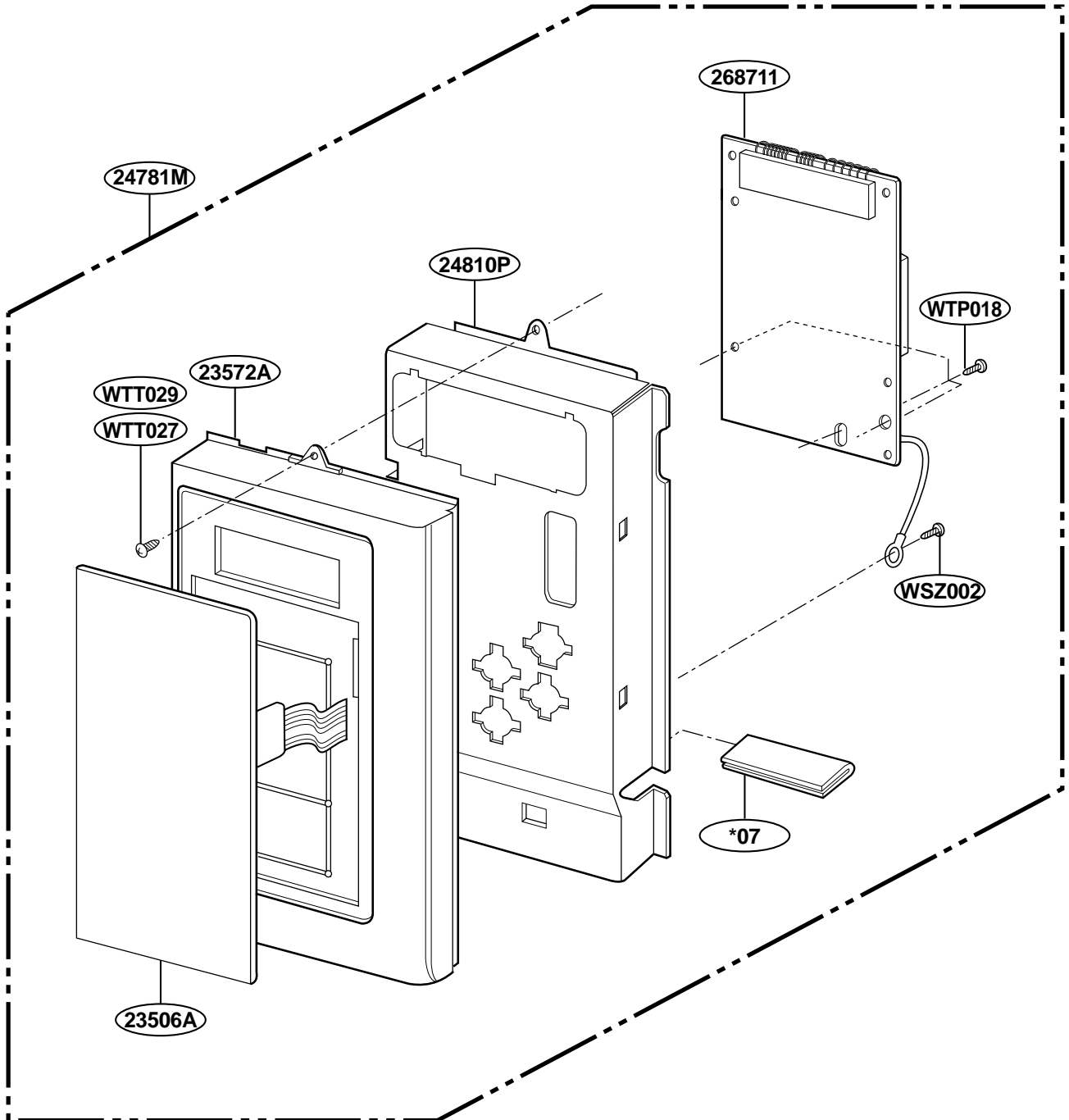
EXPLODED VIEW

MODEL : MHE14XK

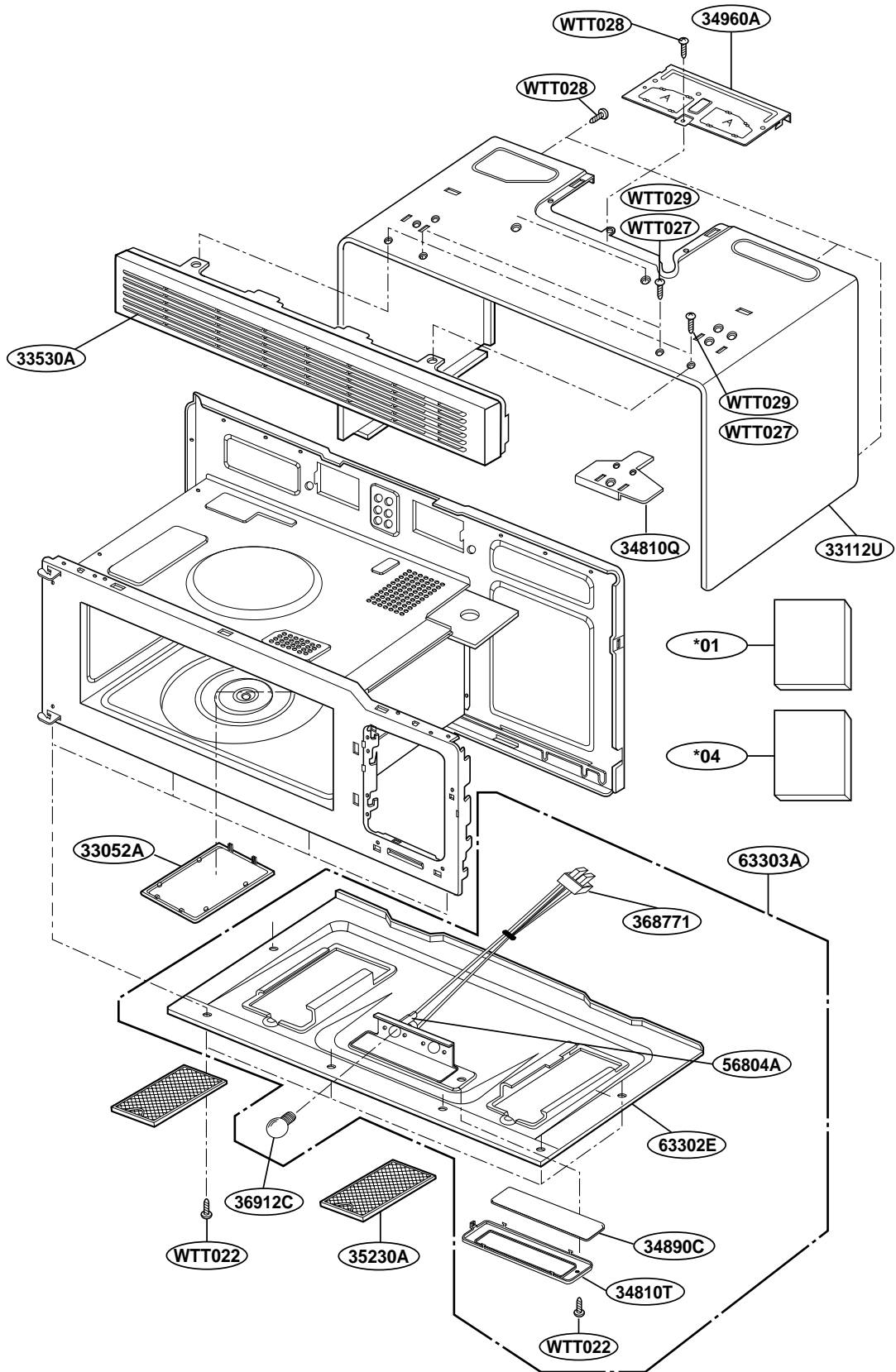
DOOR PARTS



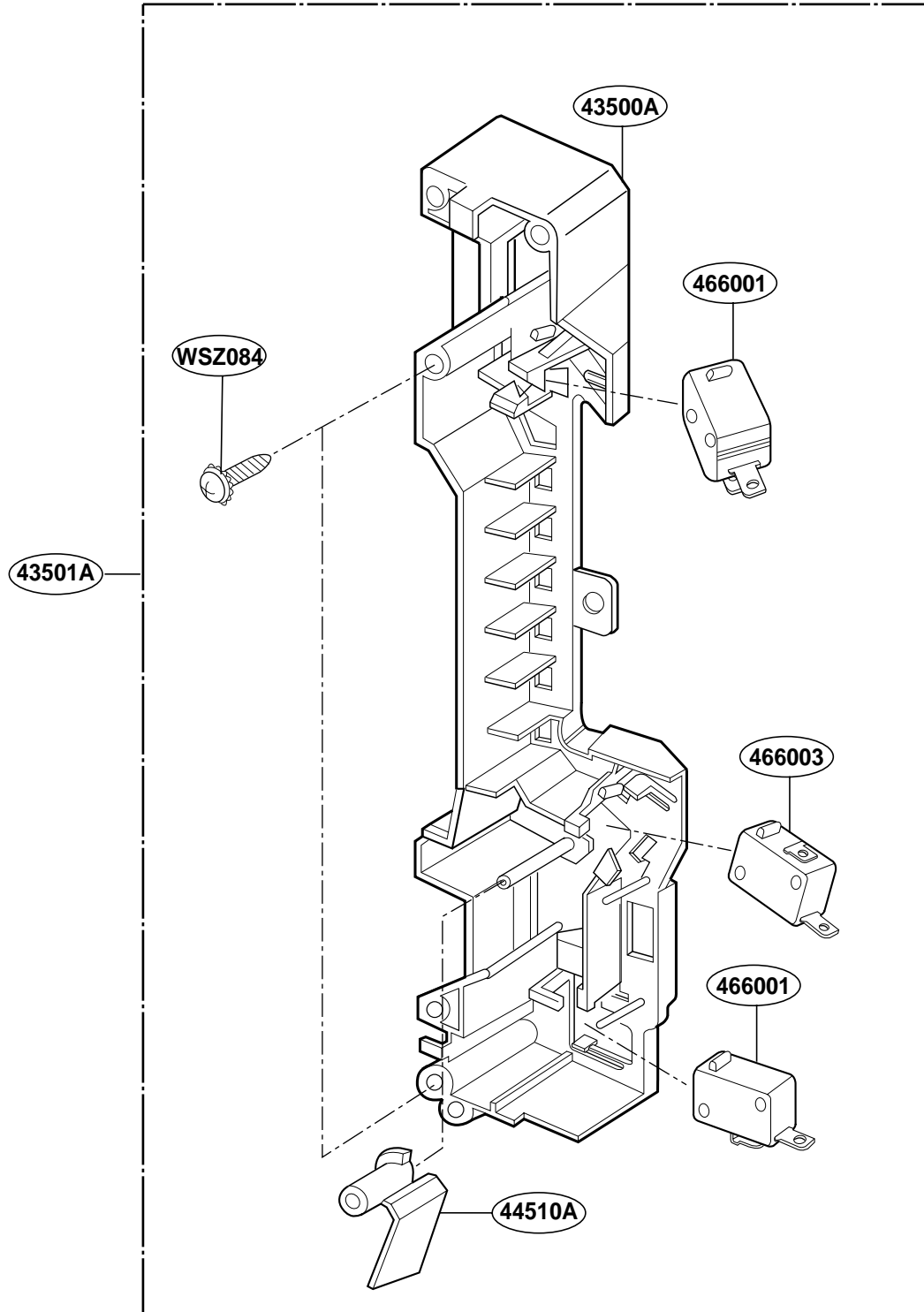
CONTROLLER PARTS



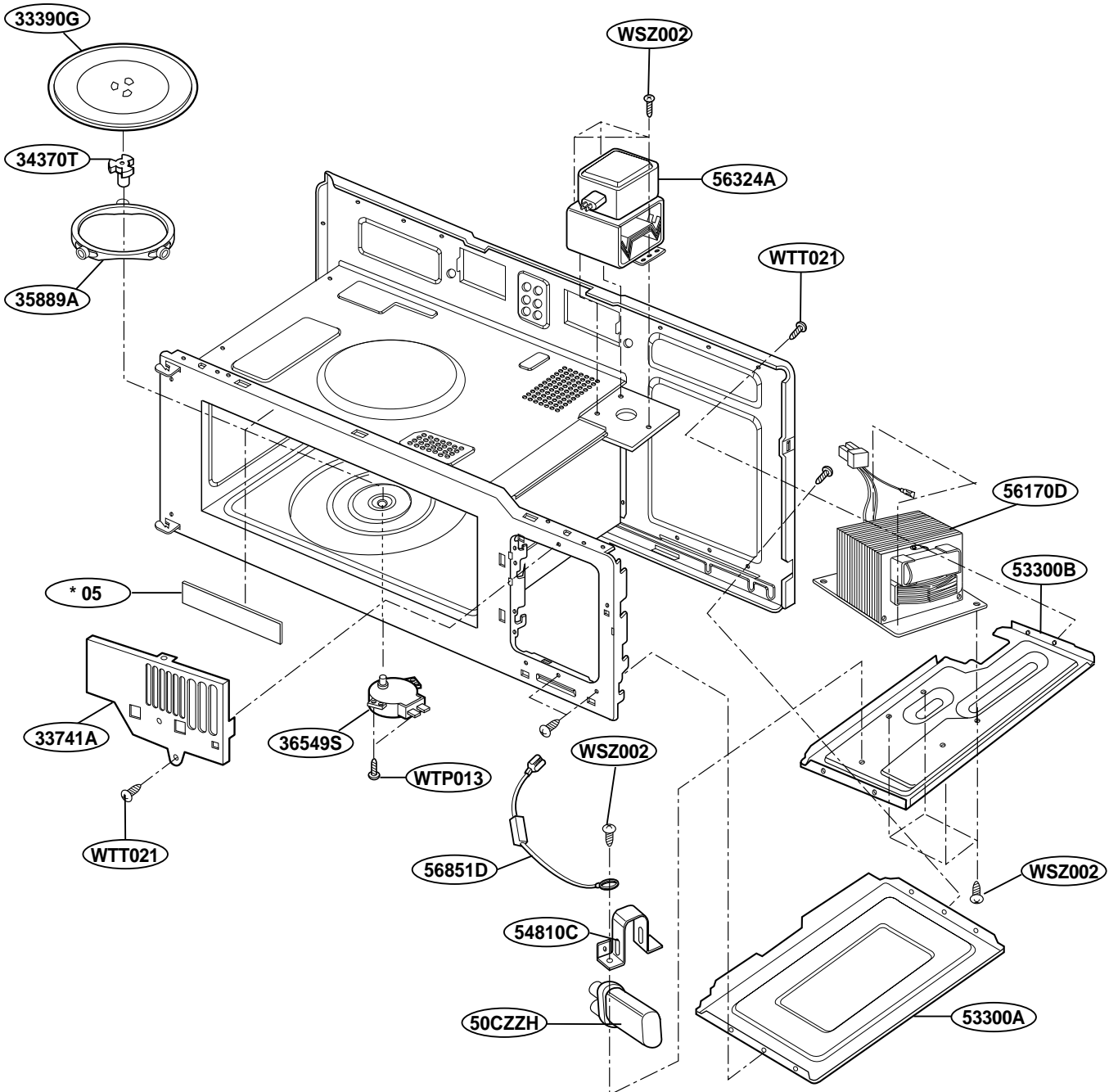
OVEN CAVITY PARTS



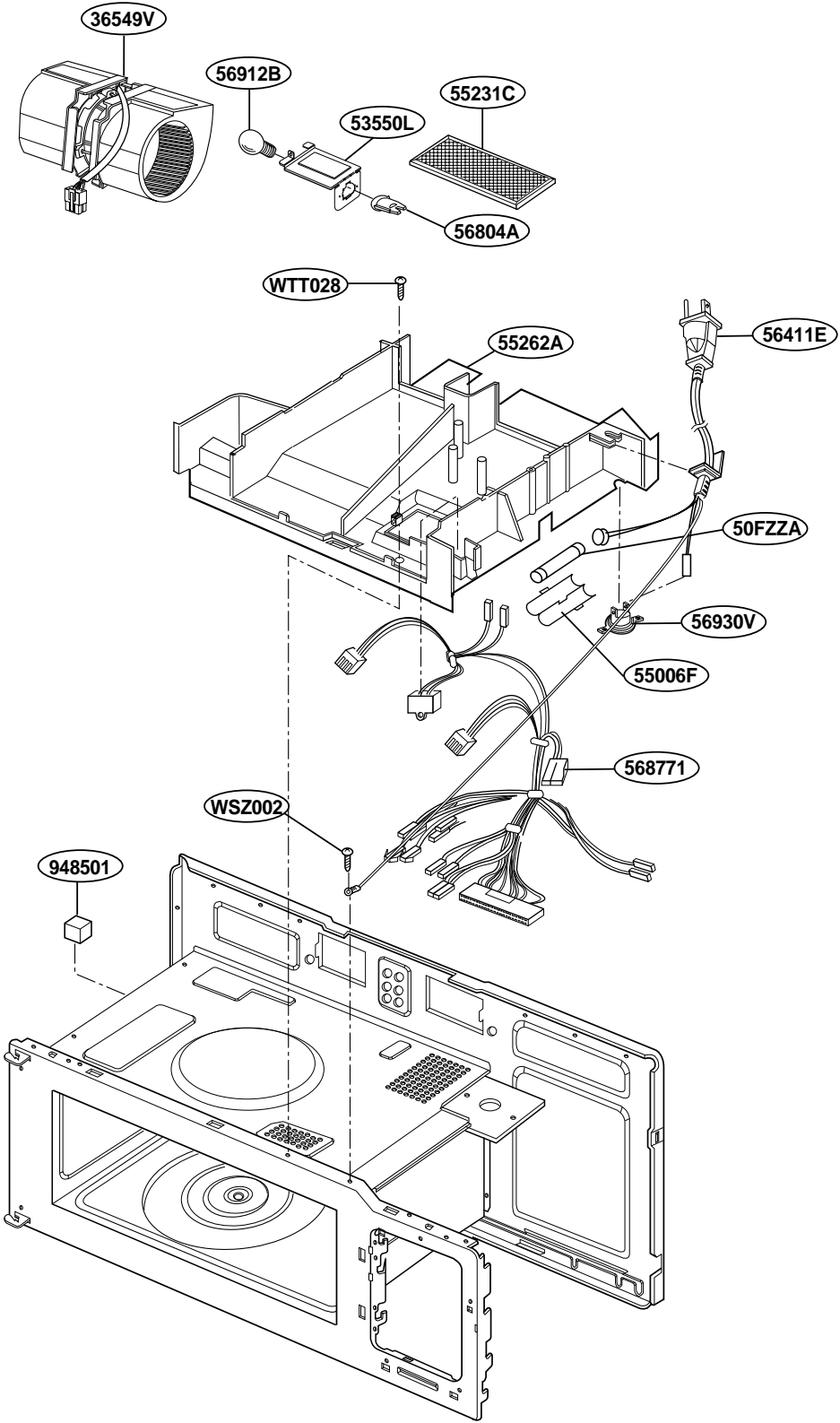
LATCH BOARD PARTS



INTERIOR PARTS(I)



INTERIOR PARTS (II)



INSTALLATION PARTS

