

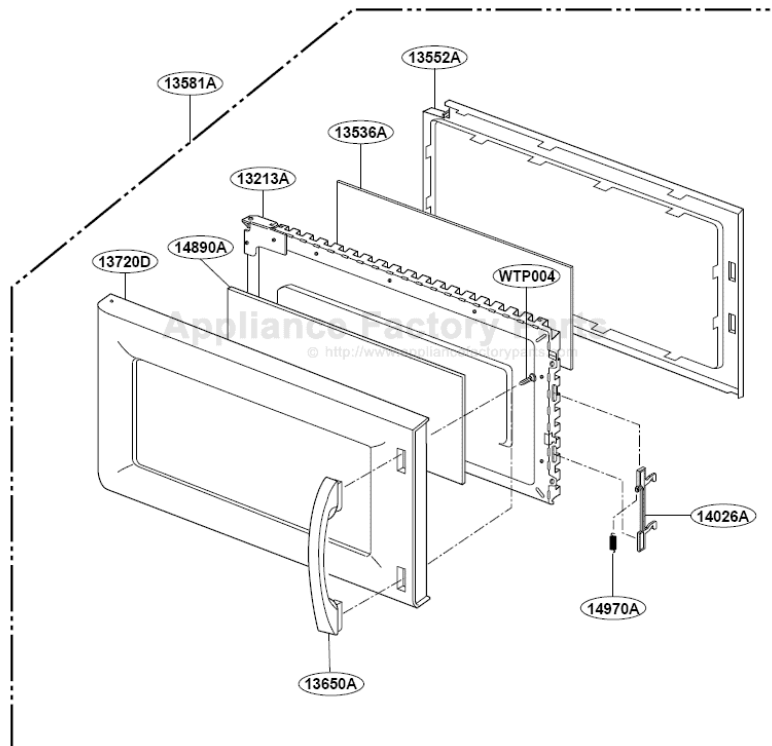
This Owner's Manual is provided and hosted by [Appliance Factory Parts](#).



ROPER MHE14XKQ-2 Owner's Manual

[Shop genuine replacement parts for ROPER
MHE14XKQ-2](#)

DOOR PARTS



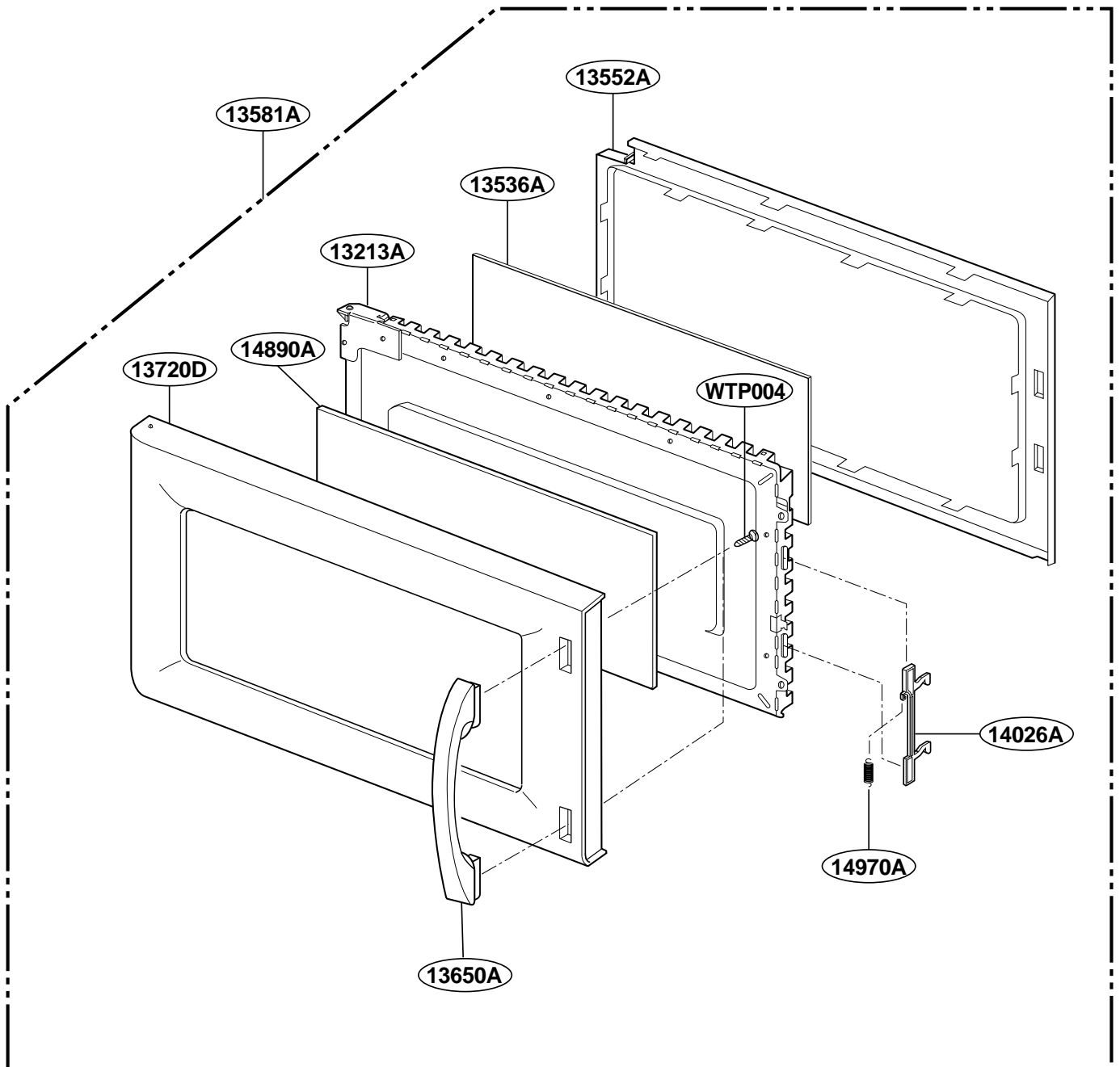
[Find Your ROPER Microwave Parts - Select From 11 Models](#)

----- Manual continues below -----

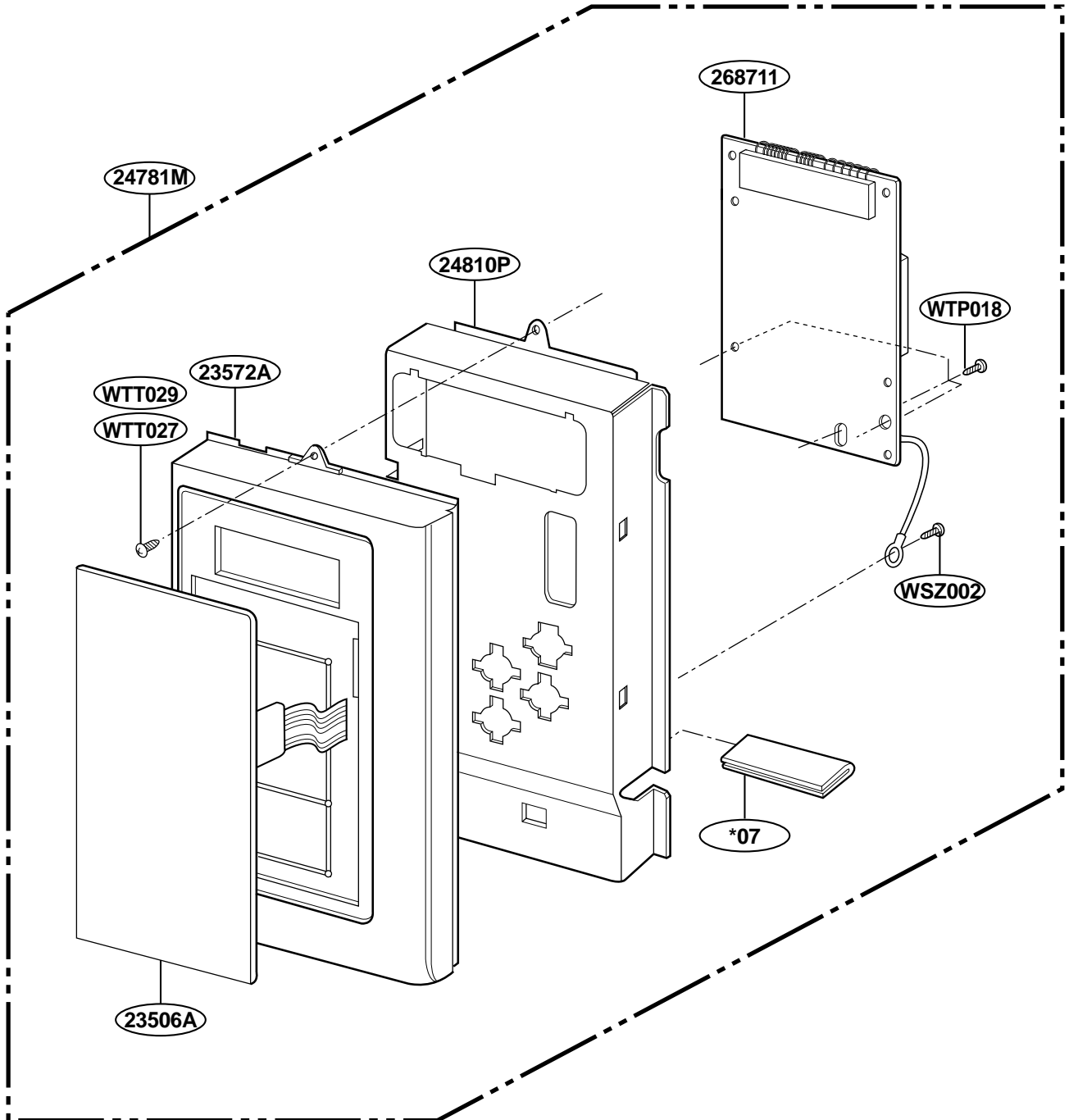
EXPLODED VIEW

MODEL : MHE14XK

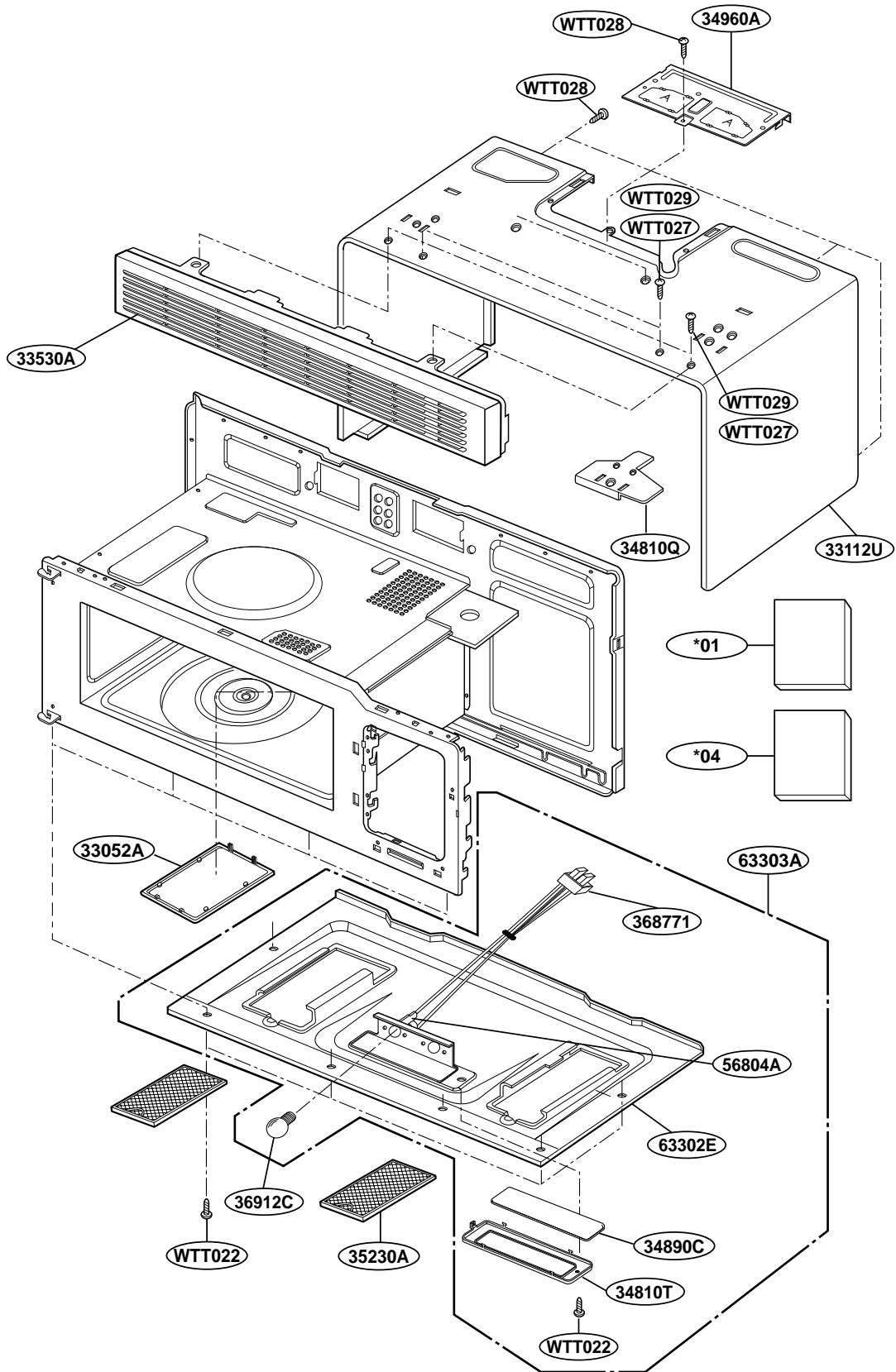
DOOR PARTS



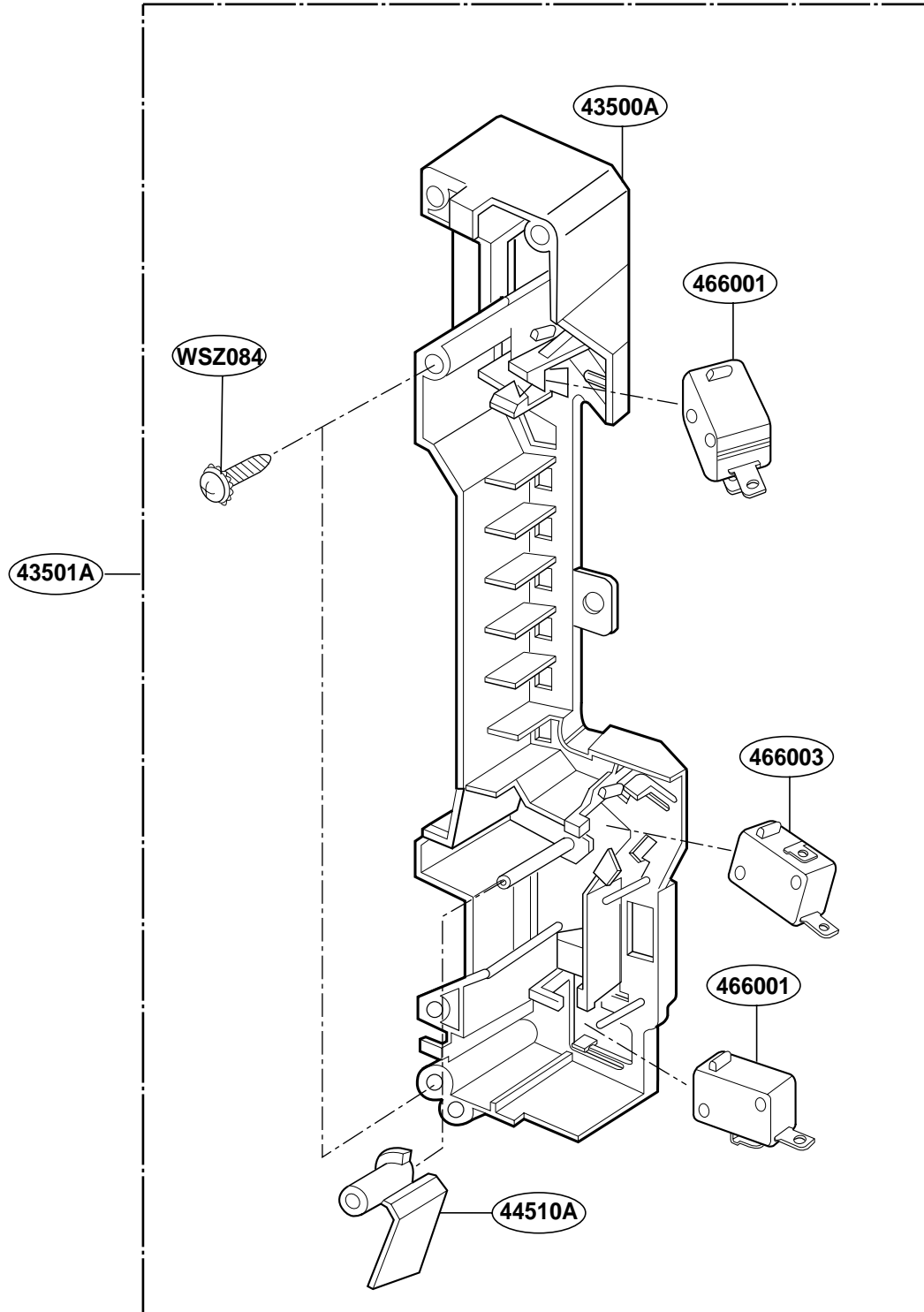
CONTROLLER PARTS



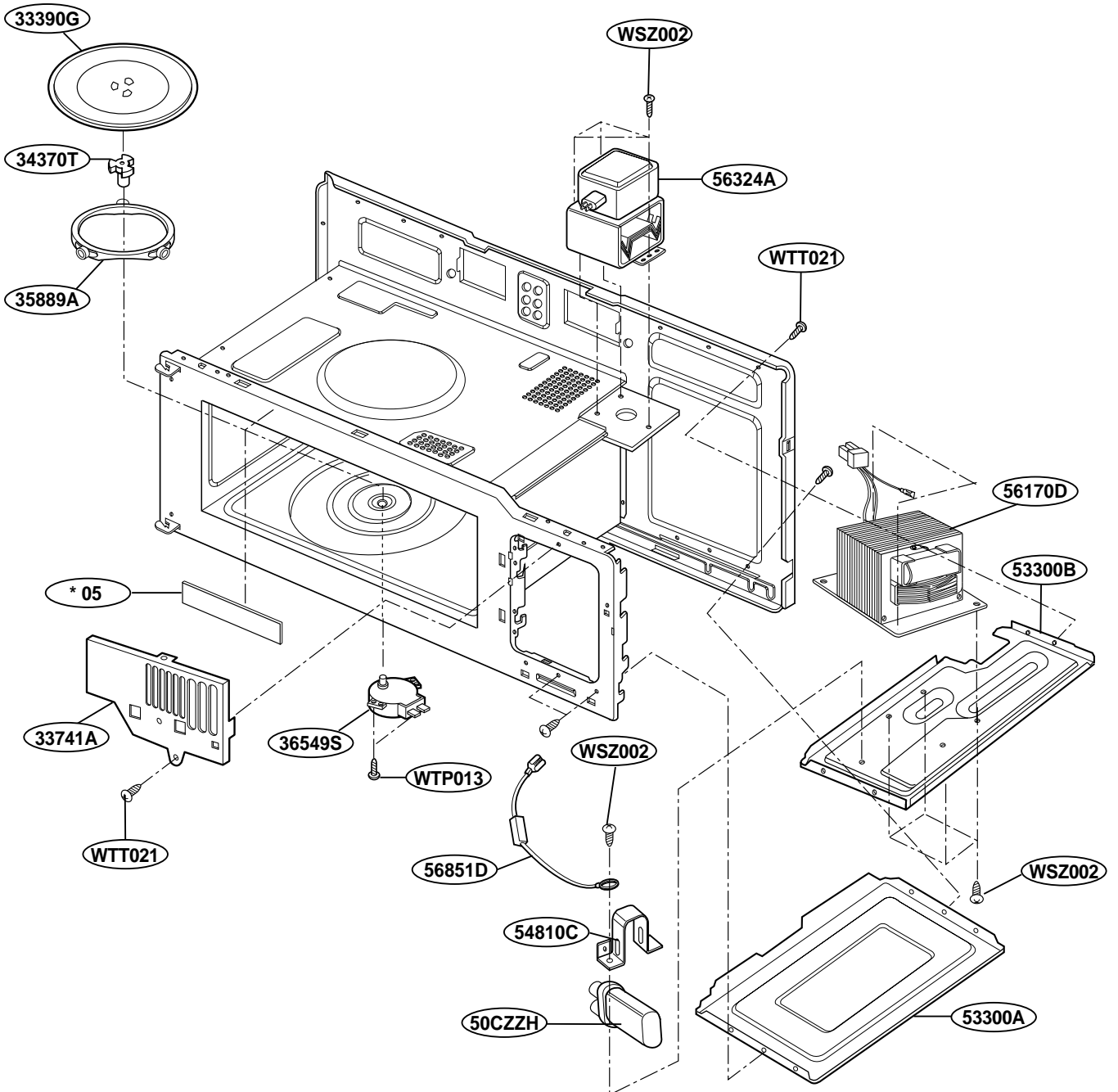
OVEN CAVITY PARTS



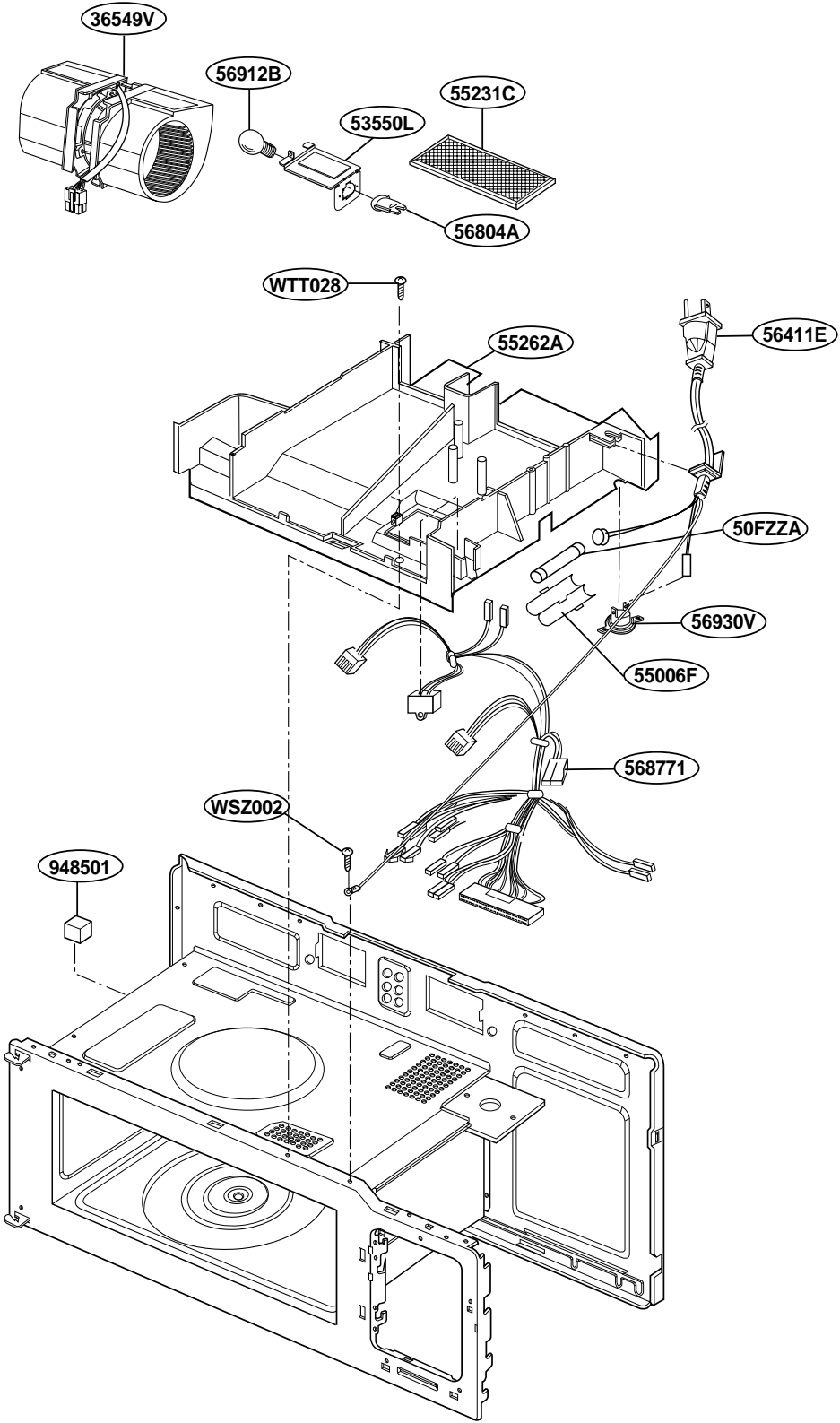
LATCH BOARD PARTS



INTERIOR PARTS(I)



INTERIOR PARTS (II)



INSTALLATION PARTS

