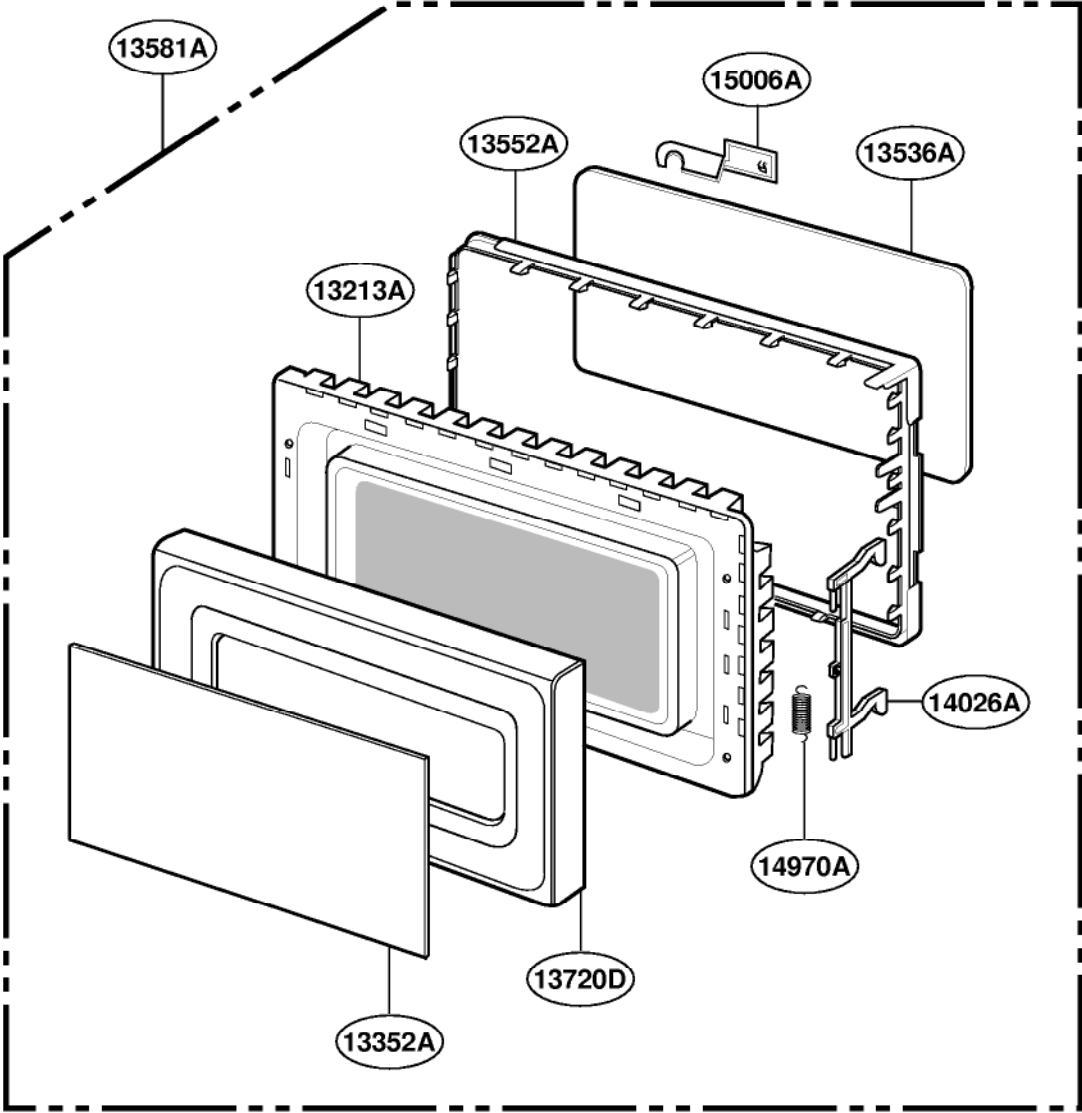
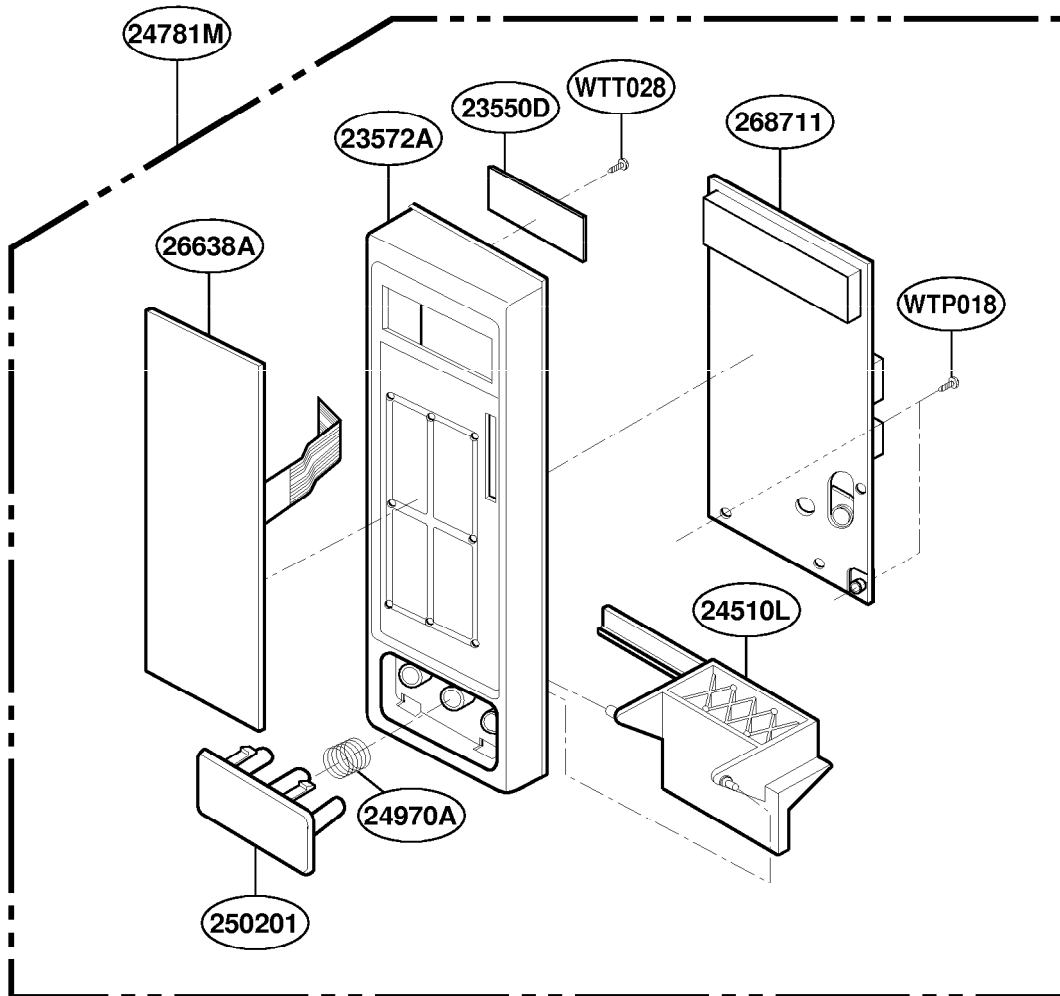


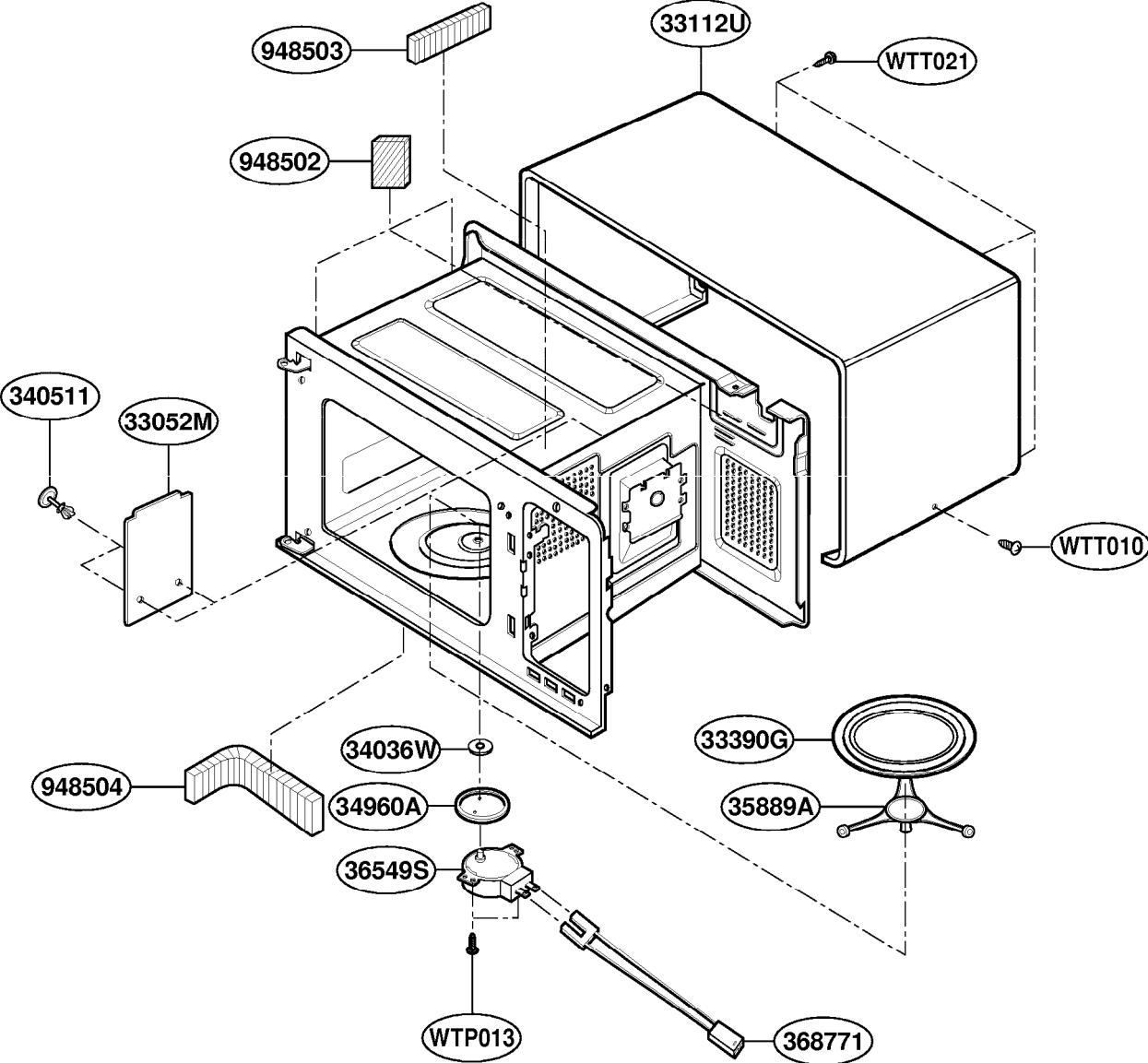
# DOOR PARTS



# CONTROLLER PARTS

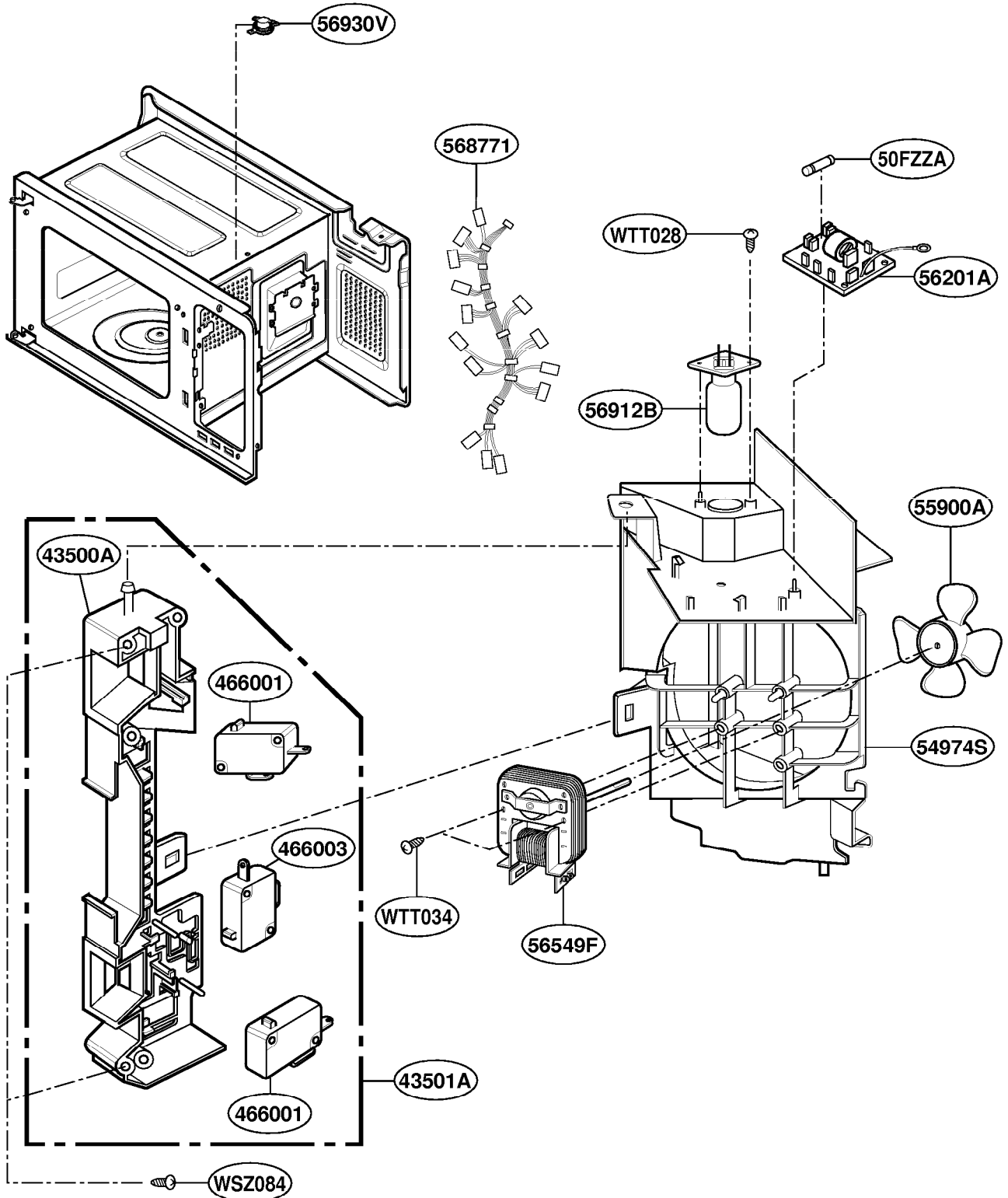


# OVEN CAVITY PARTS

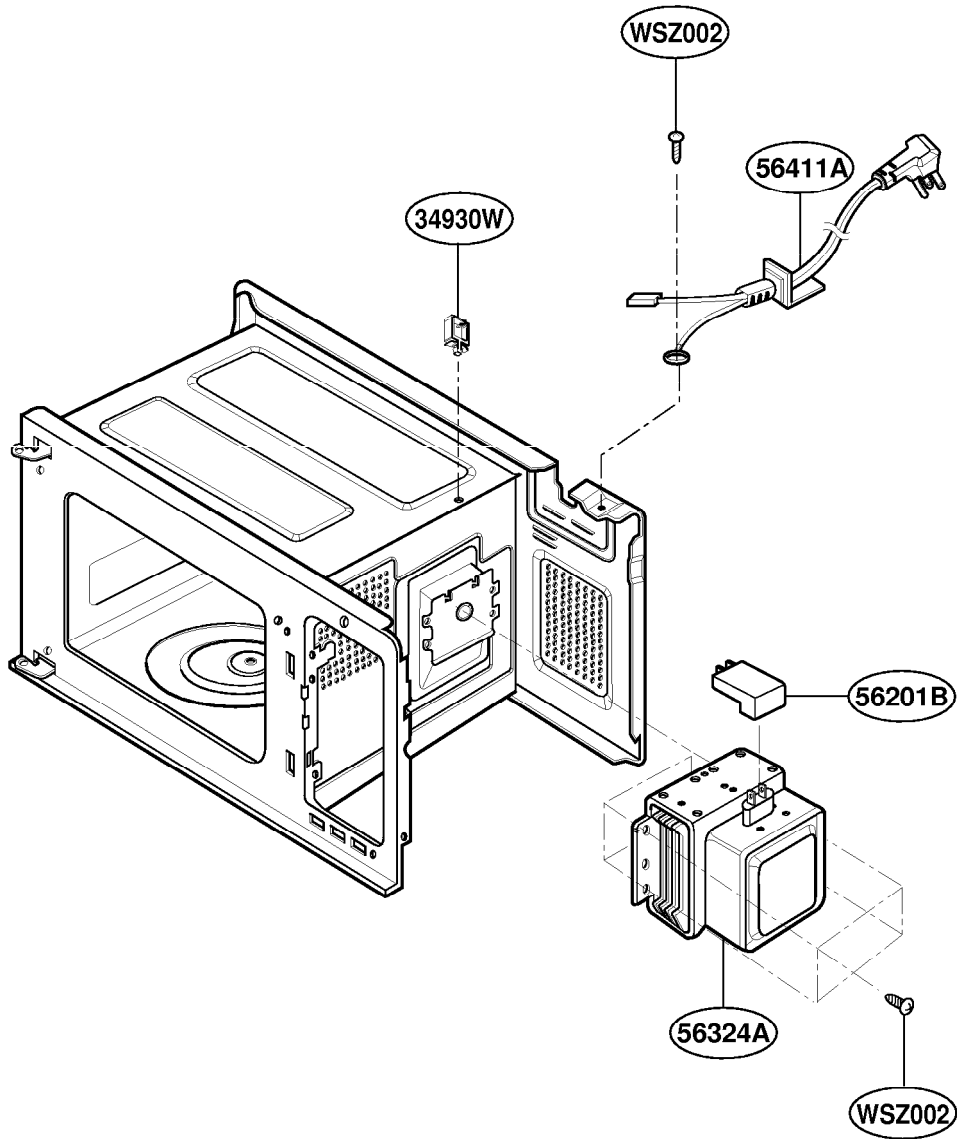


**34960A** is only used in model 87790

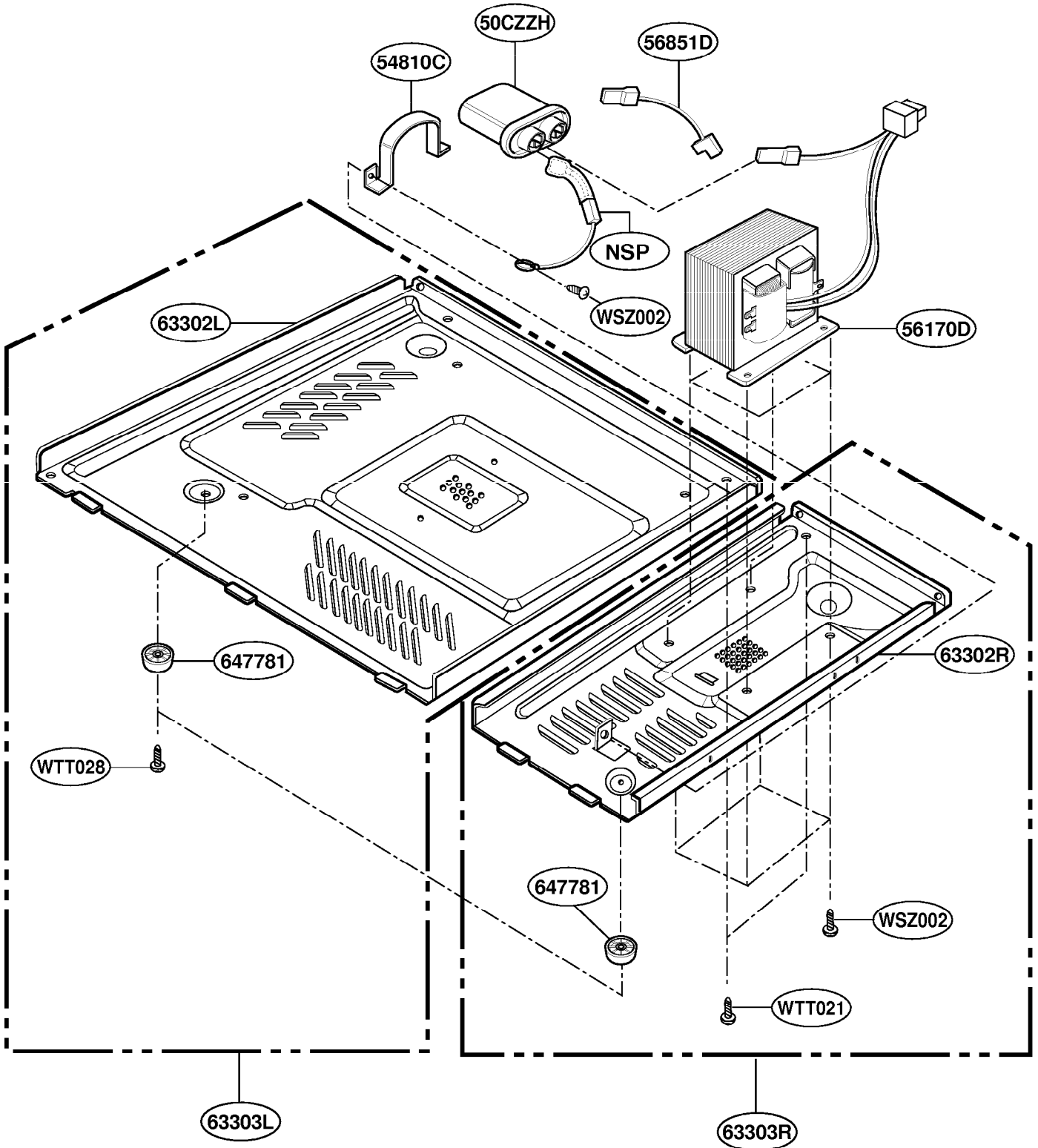
# SUCTION GUIDE PARTS



# INTERIOR PARTS



# BASE PLATE PARTS



# SENSOR PARTS

