



Website <http://biz.lgservice.com>

MICROWAVE OVEN **SERVICE MANUAL**

MODEL: MS-60BM

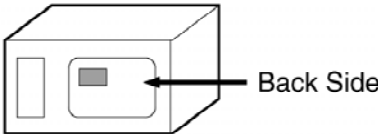
CAUTION

BEFORE SERVICING THE UNIT, READ THE SAFETY PRECAUTIONS IN THIS MANUAL.

P/NO : 3828W5S0128

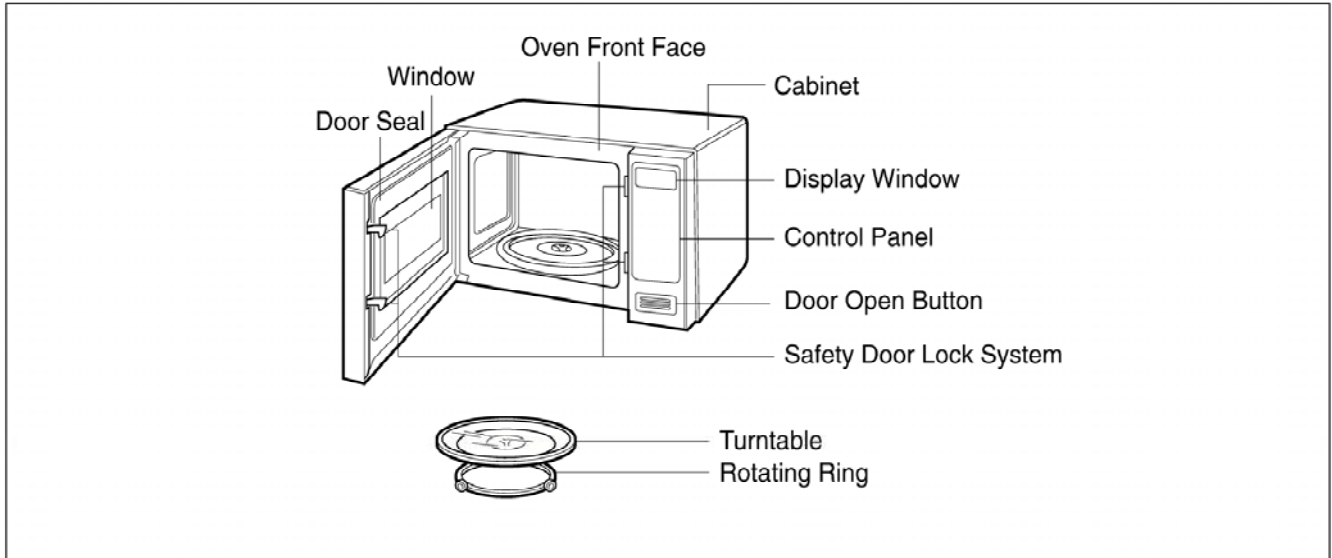
May, 1996
Printed in Korea

SPECIFICATIONS

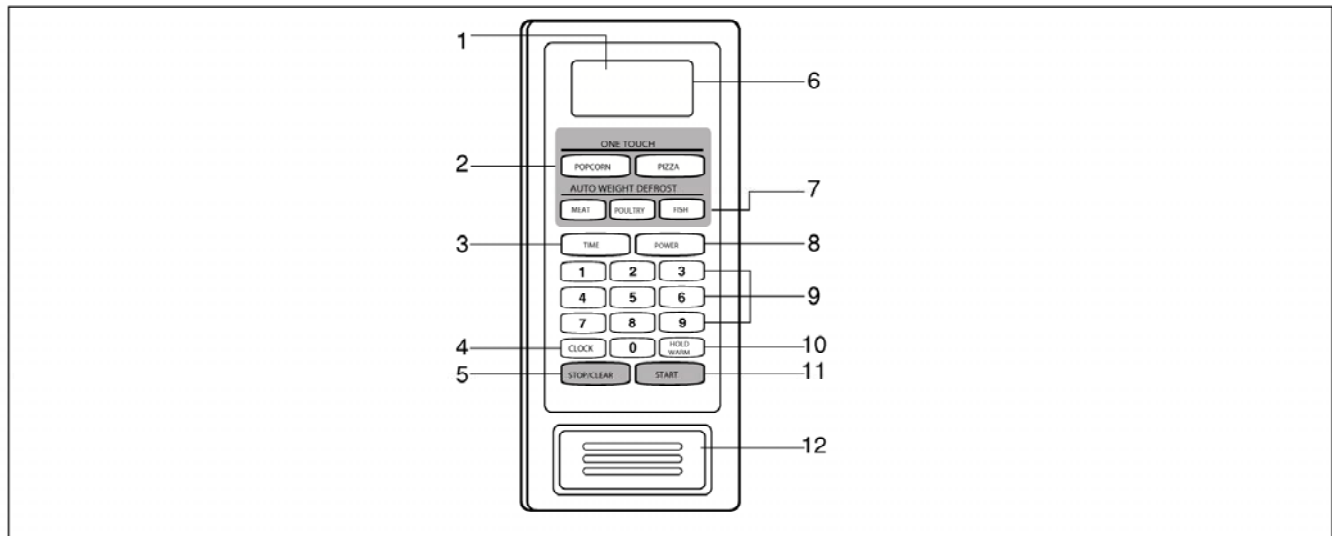
ITEM	DESCRIPTIONS
MODEL	MS-60BM
Power Requirement	120Volts AC 60Hz 950 Watts (8.5A) Single phase, 3 wire grounded
Power Output	600 Watts full microwave power (IEC60705)
Microwave Frequency	2450MHz
Magnetron	2M214 - 39F
Timer	0 - 99min. 99sec.
Outside Dimensions	18 1/8(W) x 10 1/4(H) x 12 3/4(D) inches
Cavity Dimensions	11 1/8(W) x 7 1/8(H) x 12 3/4(D) inches
Net Weight	28 lbs (approx.)
Shipping weight	31 lbs (approx.)
Control Complement	Touch Control System Clock : 1:00 - 12:59 Microwave Power for Variable Cooking Power level HIGH Full power throughout the cooking time 9(Satte) ----- approx. 90% of Full power, 8(Reheat) ----- approx. 80% 7(Med.-High) ----- approx. 70%, 6(Medium) ----- approx. 60% 5(Med.-Low) ----- approx. 50%, 4(Defrost) ----- approx. 40% 3(Low) ----- approx. 30%, 2(Simmer) ----- approx. 20% 1(Warm) ----- approx. 10%
Nameplate Location	
Accessories	Owner's manual & cooking guide Glass turntable Rotating ring
This microwave oven is designed for household use only. It is not recommended for commercial purpose.	

OPERATING INSTRUCTIONS

Features



Control Panel



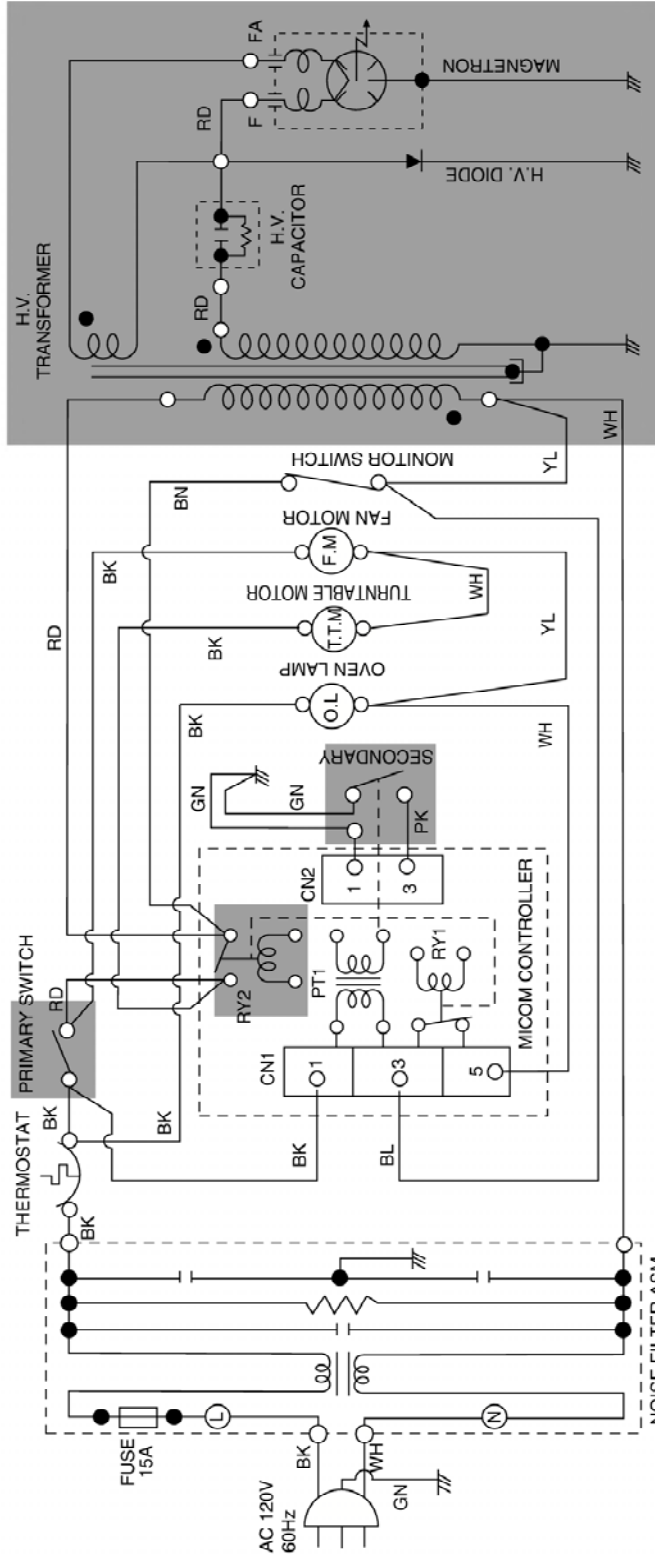
1. INDICATORS
2. ONE TOUCH CONTROL : Used to cook the foods listed by one touch.
3. TIME : Used these pads to set the cooking time.
4. CLOCK : Used to set the time of day.
5. STOP/CLEAR :Used to stop oven and clear all entries except time of day.
6. DISPLAY WINDOW
7. AUTO WEIGHT DEFROST : Used to select the desired auto weight defrost programmed with weight pad.
8. POWER : Used in selected power level for cooking.
9. NUMBER: Used to set for Time of day, Cooking time, Power level or Defrost weight.
10. HOLD WARM : Used to keep the food warm after the cooking is done.
11. START : One tap allows oven to begin functioning.
12. DOOR OPEN BUTTON : Press to open the door. Opening the door during cooking will stop the oven.

SCHEMATIC DIAGRAM

MICROWAVE OVEN

MS-60BM

May, 1. 1996



NOTE : DOOR IS OPENED.

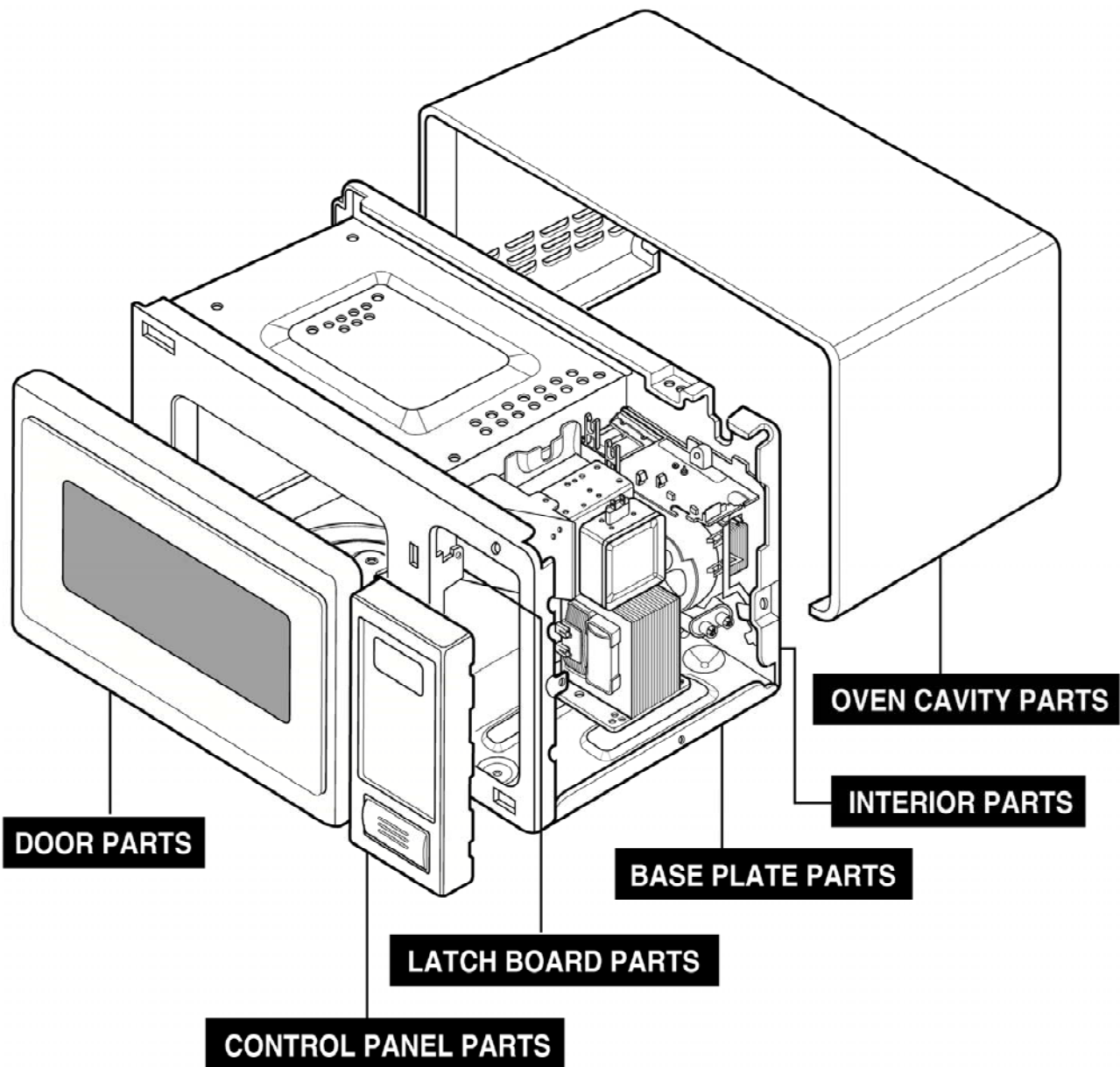
BN : BROWN BL : BLUE YL : YELLOW PK : PINK
RD : RED BK : BLACK WH : WHITE GN : GREEN

IMPORTANT SAFETY NOTE: THE SHADED AREA ON THIS SCHEMATIC DIAGRAM INCORPORATES SPECIAL FEATURES IMPORTANT FOR PROTECTION FROM MICROWAVE RADIATION, FIRE AND ELECTRICAL SHOCK HAZARDS. WHEN SERVICING IT IS ESSENTIAL THAT ONLY MANUFACTURERS SPECIFIED PARTS BE USED FOR THE CRITICAL COMPONENTS IN THE SHADED AREAS OF THE SCHEMATIC DIAGRAM.

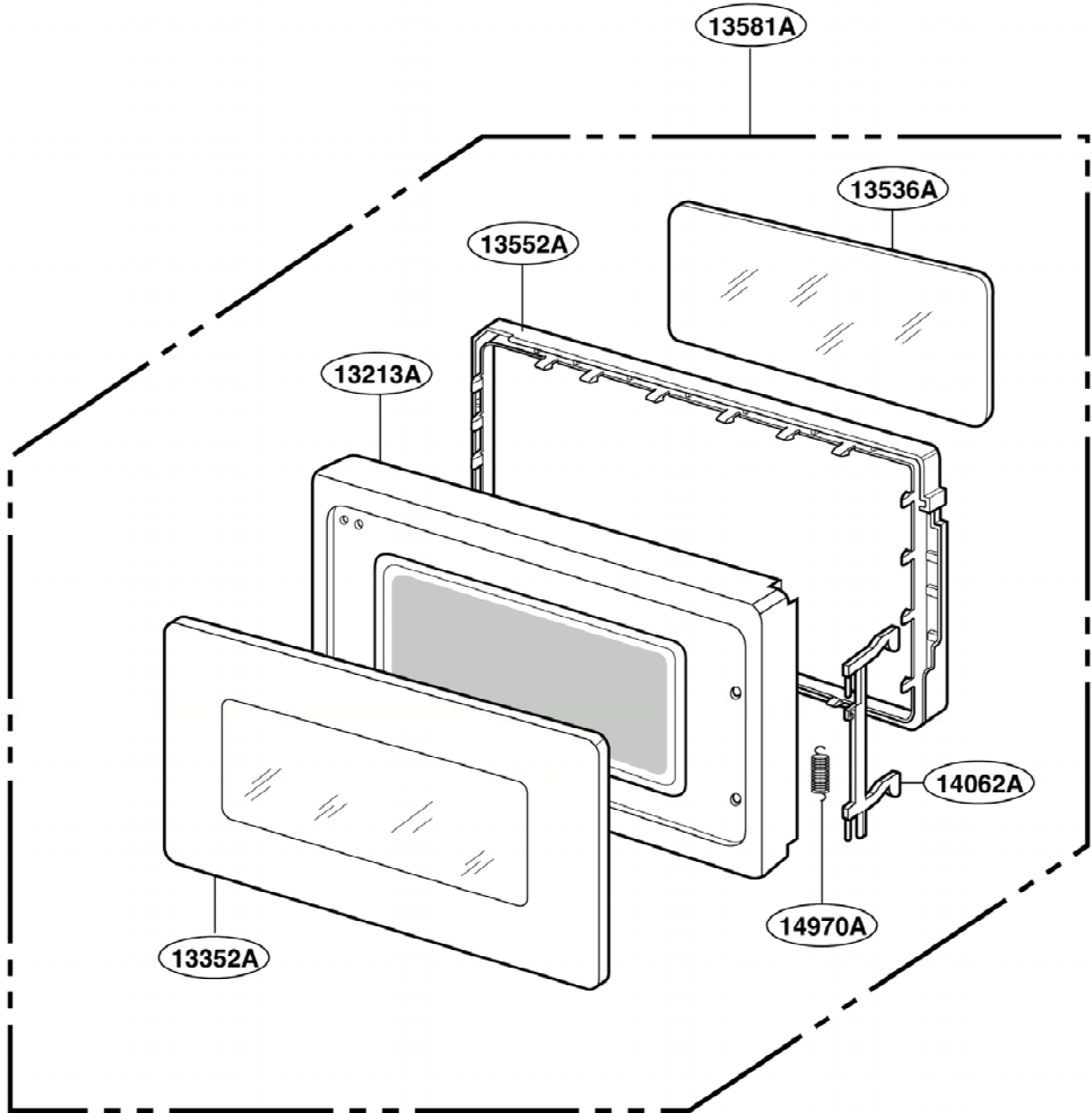
NOTICE: SINCE THIS IS BASIC SCHEMATIC DIAGRAM, THE VALUE OF COMPONENTS AND SOME PARTIAL CONNECTION ARE SUBJECT TO CHANGE FOR IMPROVEMENT.

EXPLODED VIEW

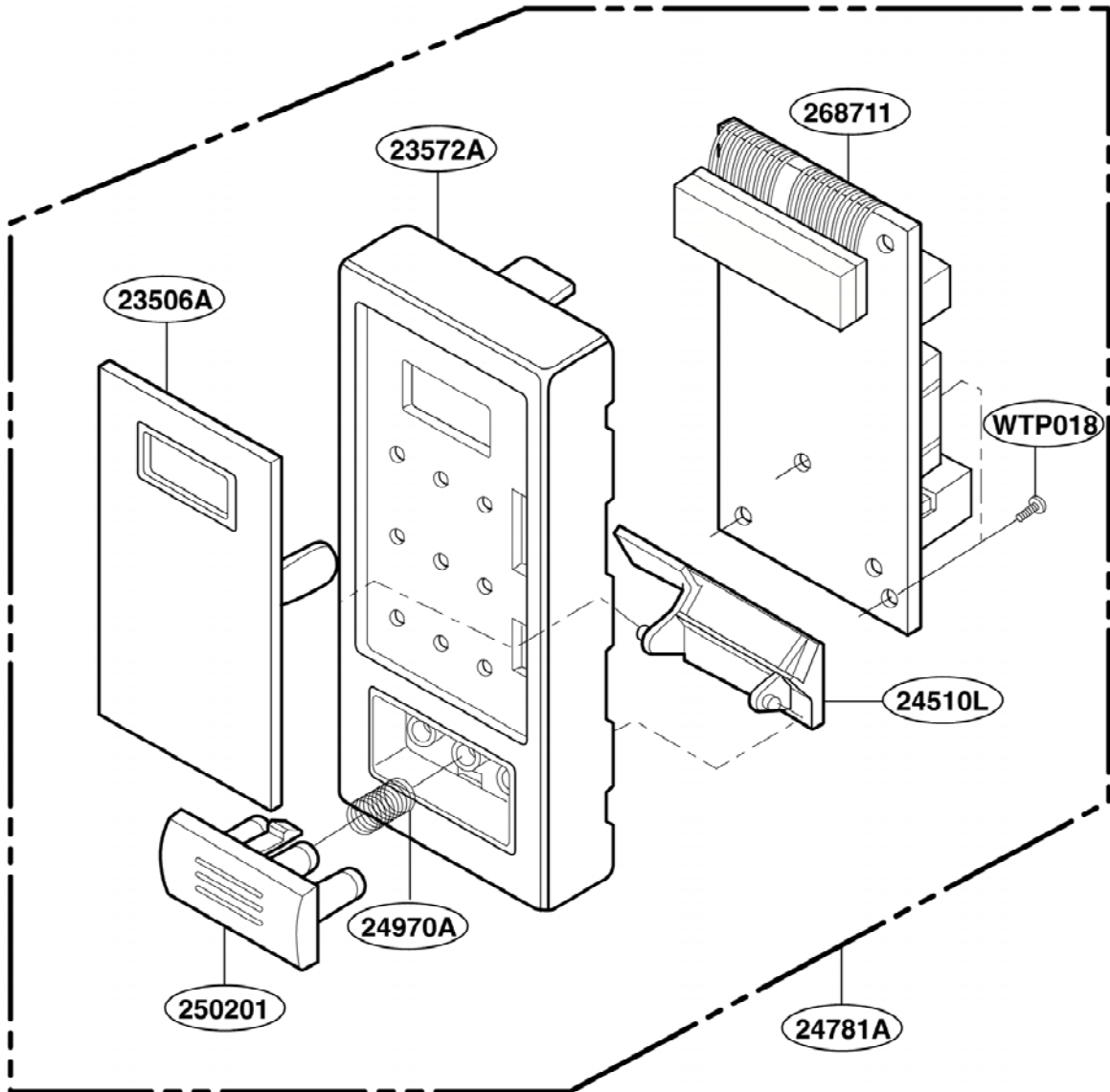
INTRODUCTION



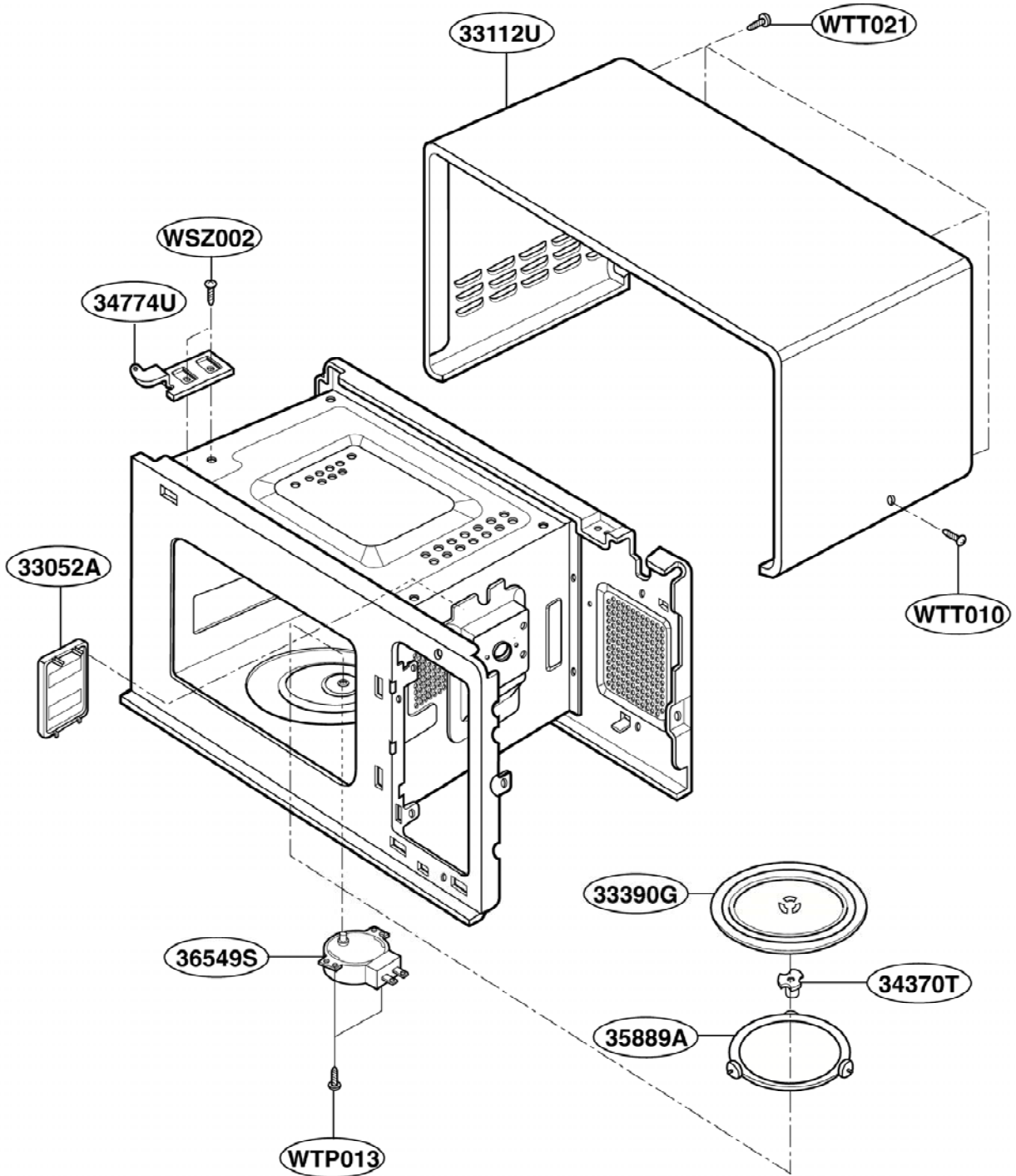
DOOR PARTS



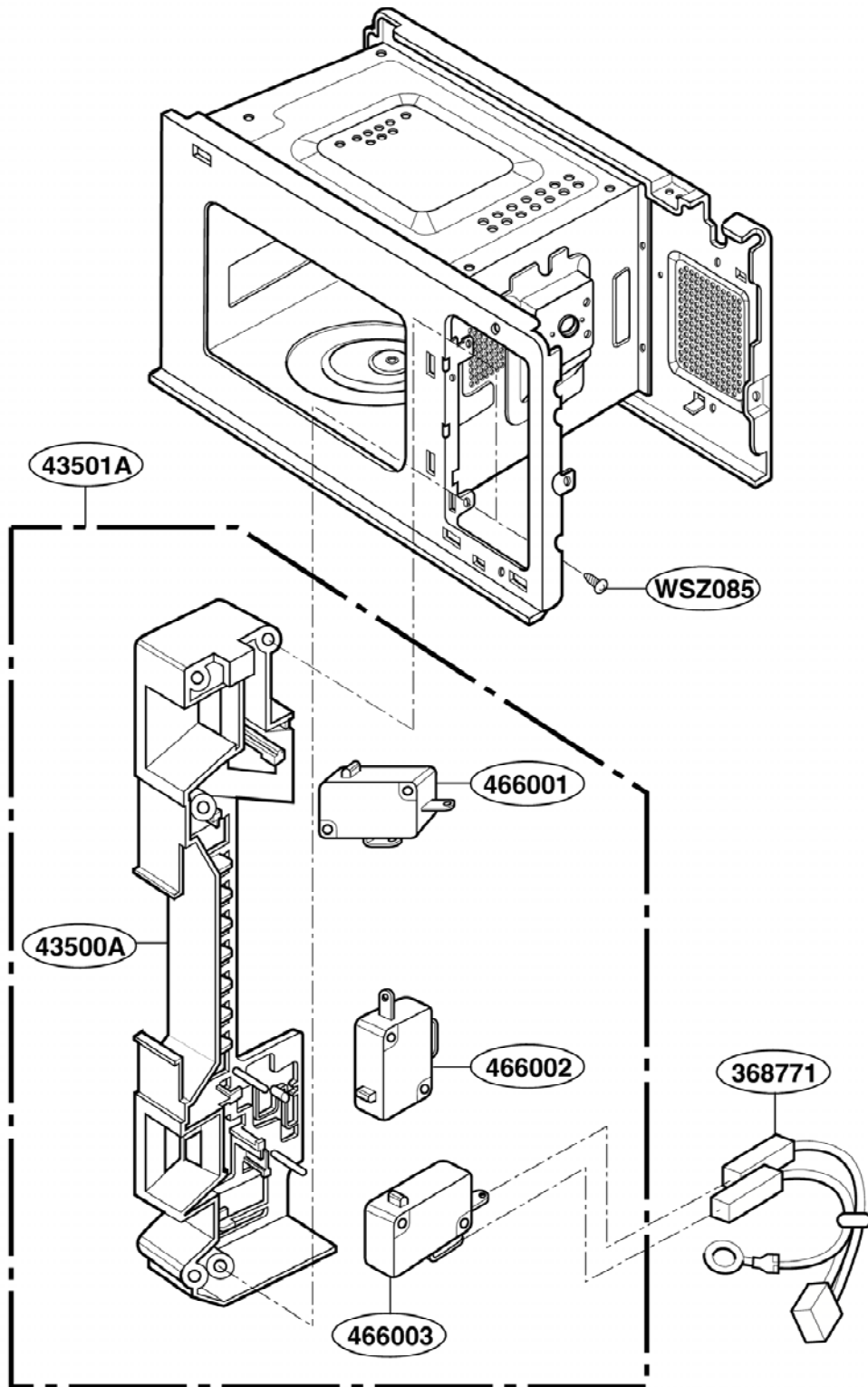
CONTROLLER PARTS



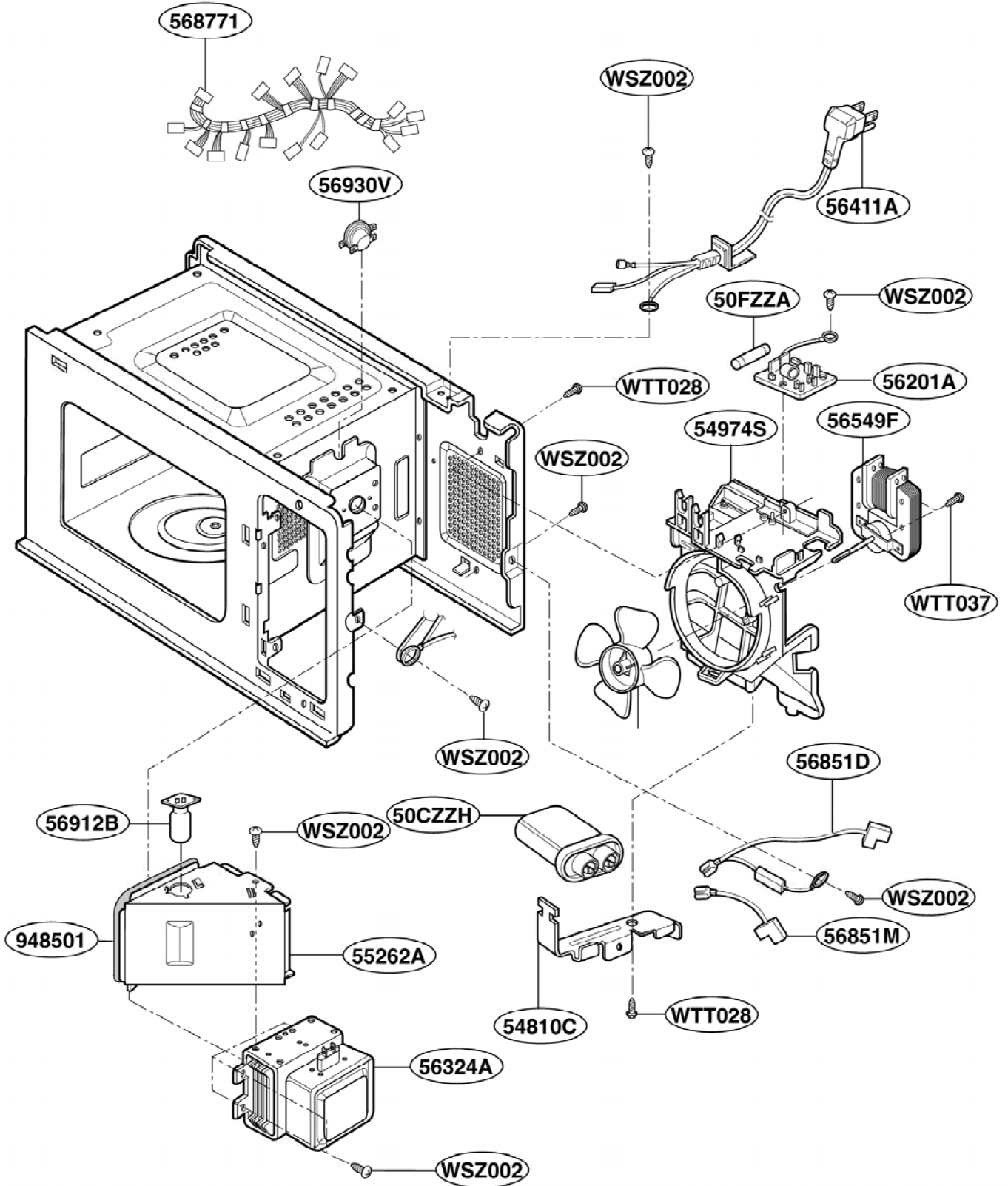
OVEN CAVITY PARTS



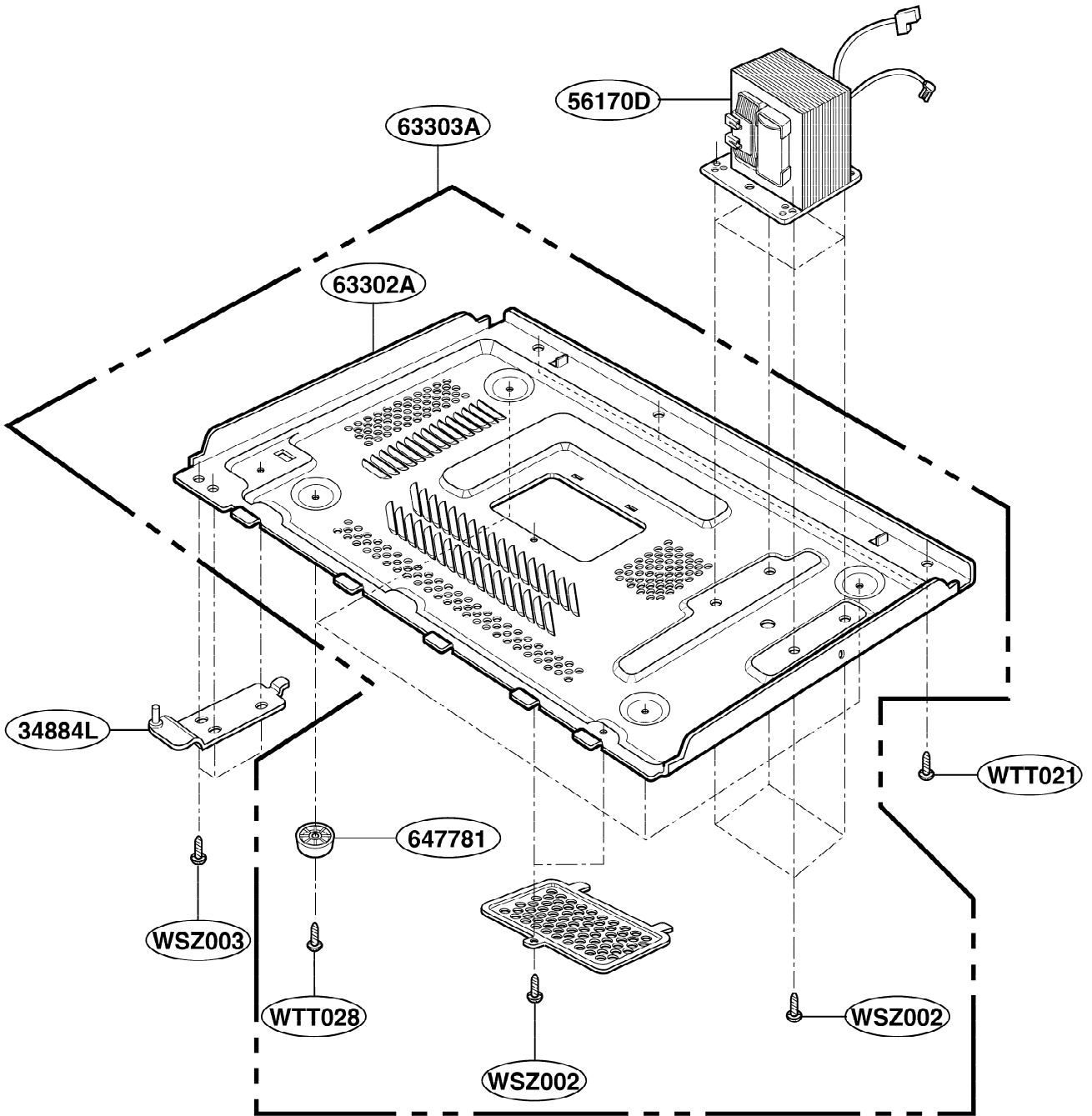
LATCH BOARD PARTS



INTERIOR PARTS



BASE PLATE PARTS



REPLACEMENT PARTS LIST

Rev.1 Nov 18, 2005

LOC. NO.	PART NO.	DESCRIPTION	SVC	ALTERNATE
*01	3828W5A0119	MANUAL,OWNERS	R	
*02	3828W5S0128	MANUAL,SERVICE	R	
*10	3890W2Y044A	BOX,YELLOW	R	
13213A	3213W1A009D	DOOR FRAME ASSEMBLY	R	
13352A	3352W1A028P	FRONT SCREEN	R	
13536A	3536WRA001F	SEAL TAPE	R	
13552A	3552W1A007A	CHOKE COVER	R	
13581A	3581W1A054U	DOOR ASSEMBLY	R	
14026A	4026WRA001A	LATCH	R	
14970A	4970WRA001A	SPRING	R	
23506A	6638W2A034A	KEY MEMBRANE	R	
23572A	3572W1A067B	PANEL,CONTROL	R	
24510L	4510WRA001A	LEVER	R	
24781M	4781W1M049G	CONTROLLER ASSEMBLY,KEY PAD	R	
24970A	4B72023A	SPRING	R	
250201	5020WRG002B	BUTTON	R	
268711	5247W2YJ70A	PWB(PCB) ASSEMBLY,SUB	R	5247W2YS70A
33052A	3052W3A015A	CANOPY,RESIN	R	
33112U	3112W1A001B	OUT CASE,U-BENDING	R	
33390G	2B71852A	TRAY,GLASS	R	
34370T	4370WRT001C	SHAFT,TURN TABLE	R	
34774L	4775W3P004B	HINGE ASSEMBLY	R	
34774U	4774W3P005A	BRACKET,HINGE	R	
35889A	5889W2A005B	ROTATING RING ASSEMBLY	R	
36549S	2B72754E	MOTOR(CIRC),SYNCHRONOUS	R	6549WRS001G
36549S	2B72754E	MOTOR(CIRC),SYNCHRONOUS	R	6549W2S002E
368771	6877W3T080A	HARNESS	R	
43500A	3500WRA001A	BOARD,LATCH	R	
43501A	3501WRA001C	BOARD ASSEMBLY,LATCH	R	
466001	3B73362F	SWITCH,MICRO	R	3B73362E
466002	3B73361D	SWITCH,MICRO	R	3B73361E
466003	3B73362A	SWITCH,MICRO	R	3B73362H
50CZZH	0CZZW1H002A	CAPACITOR,DRAWING[HIGH VOLTAGE]	R	
50FZZA	3B70856G	FUSE,DRAWING	R	3B74133F
54810C	4810W4C003A	BRACKET,CAPACITOR	R	
54974S	4974W1S010A	GUIDE,SUCTION	R	
55262A	5262W2A017A	DUCT	R	
55900A	2B72125A	FAN	R	
56170D	6010WRH005A	TRANSFORMER,HIGH VOLTAGE	R	
56201A	2B72130F	FILTER ASSEMBLY(CIRC)	R	
56324A	2B71732B	MAGNETRON	R	
56411A	6411W2A002A	POWER CORD ASSEMBLY	R	
56549F	2B73670B	MOTOR(CIRC),FAN	R	2B73642B
56851D	3B73348D	CABLE ASSEMBLY	R	
56851H	3B73347A	CABLE,HIGH VOLTAGE	R	
568771	6877W1T187A	HARNESS	R	
56912B	6912W3B002A	LAMP,DRAWING	R	
56930V	6930WRT001G	THERMOSTAT	R	6930WRT002E
63302A	3302W1A006A	BASE PLATE	R	

R : SERVICE PARTS

LOC. NO.	PART NO.	DESCRIPTION	SVC	ALTERNATE
63303A	3303W1A007A	BASE PLATE ASSEMBLY	R	
647781	4B73900A	LEG	R	
948501	3B72244J	CUSHION	R	
WSZ002	1SBF0402418	SCREW TAP TITE(S),BINDING HEAD	R	
WSZ003	1SBF0402618	SCREW TAP TITE(B),TRUSS HEAD	R	
WSZ085	4B70188C	SCREW,DRAWING	R	
WTP013	1TPL0402418	SCREW TAPPING,PAN HEAD	R	
WTP018	1TPL0402818	SCREW TAPPING,PAN HEAD	R	
WTT010	1TTG0402422	SCREW TAPPING,TRUSS HEAD	R	
WTT021	1TTL0402418	SCREW TAPPING,TRUSS HEAD	R	
WTT028	1TTL0402818	SCREW TAPPING,TRUSS HEAD	R	
WTT037	1TTL0403818	SCREW TAPPING,TRUSS HEAD	R	

R : SERVICE PARTS

