

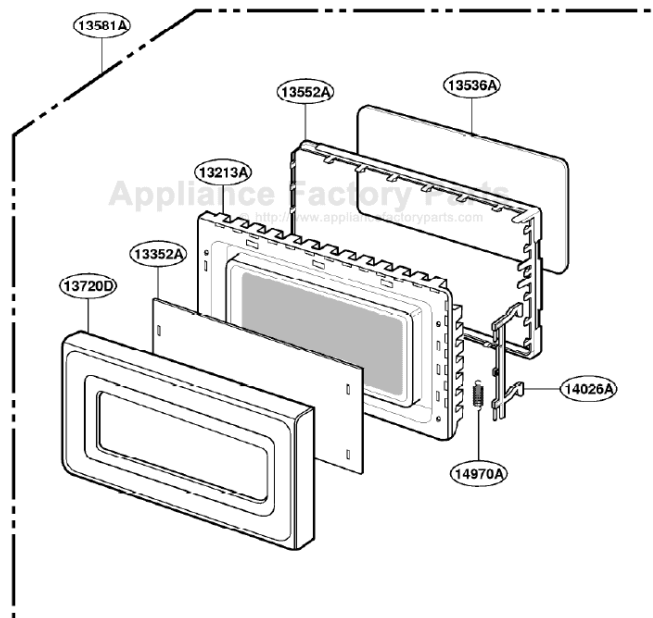
This Owner's Manual is provided and hosted by [Appliance Factory Parts](http://Appliance Factory Parts).



# WHIRLPOOL MT1071SGB Owner's Manual

[Shop genuine replacement parts for WHIRLPOOL  
MT1071SGB](#)

DOOR PARTS  
YMT1071SG



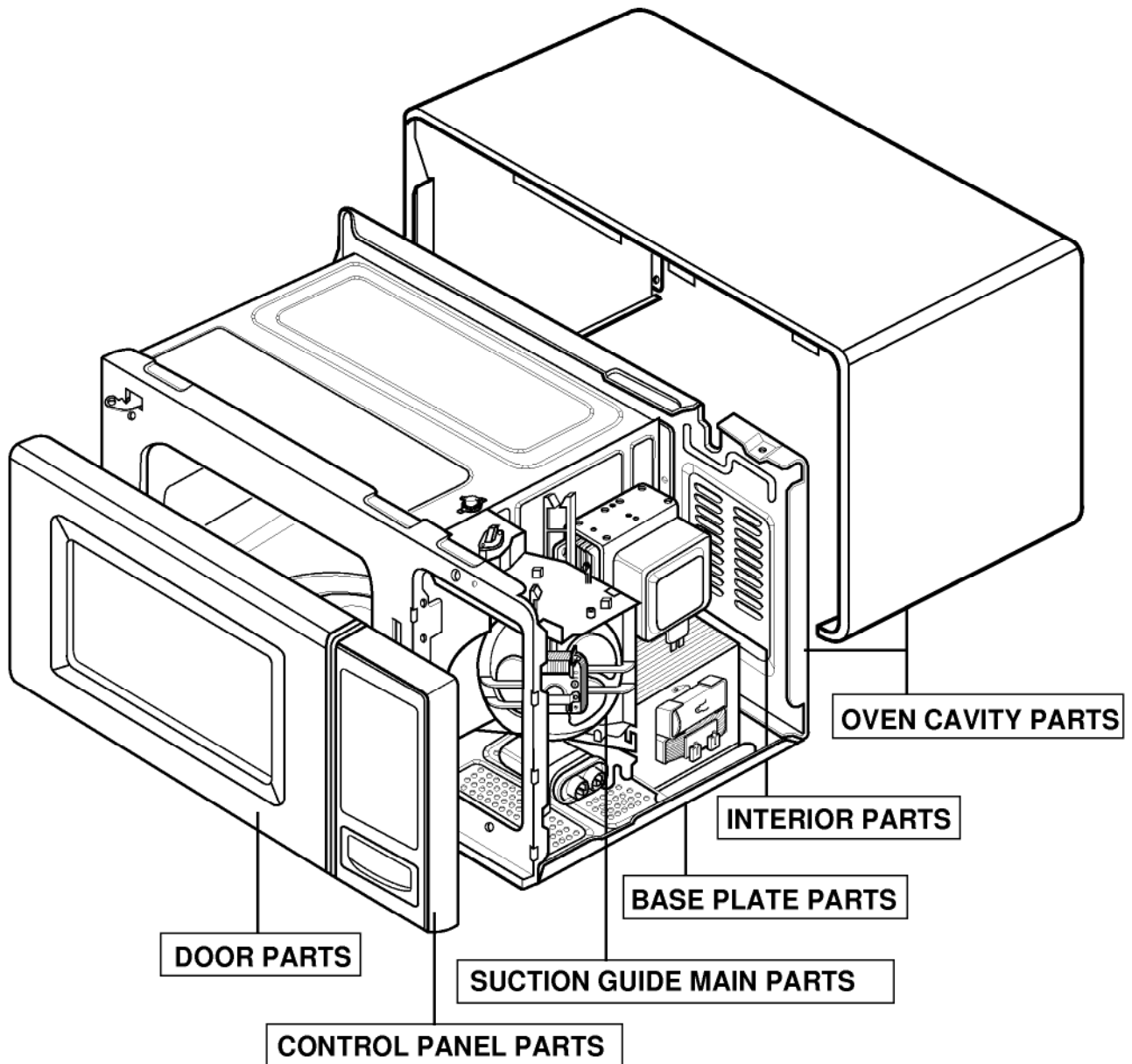
[Find Your WHIRLPOOL Microwave Parts - Select From 1350 Models](#)

----- Manual continues below -----

# EXPLODED VIEW

## INTRODUCTION

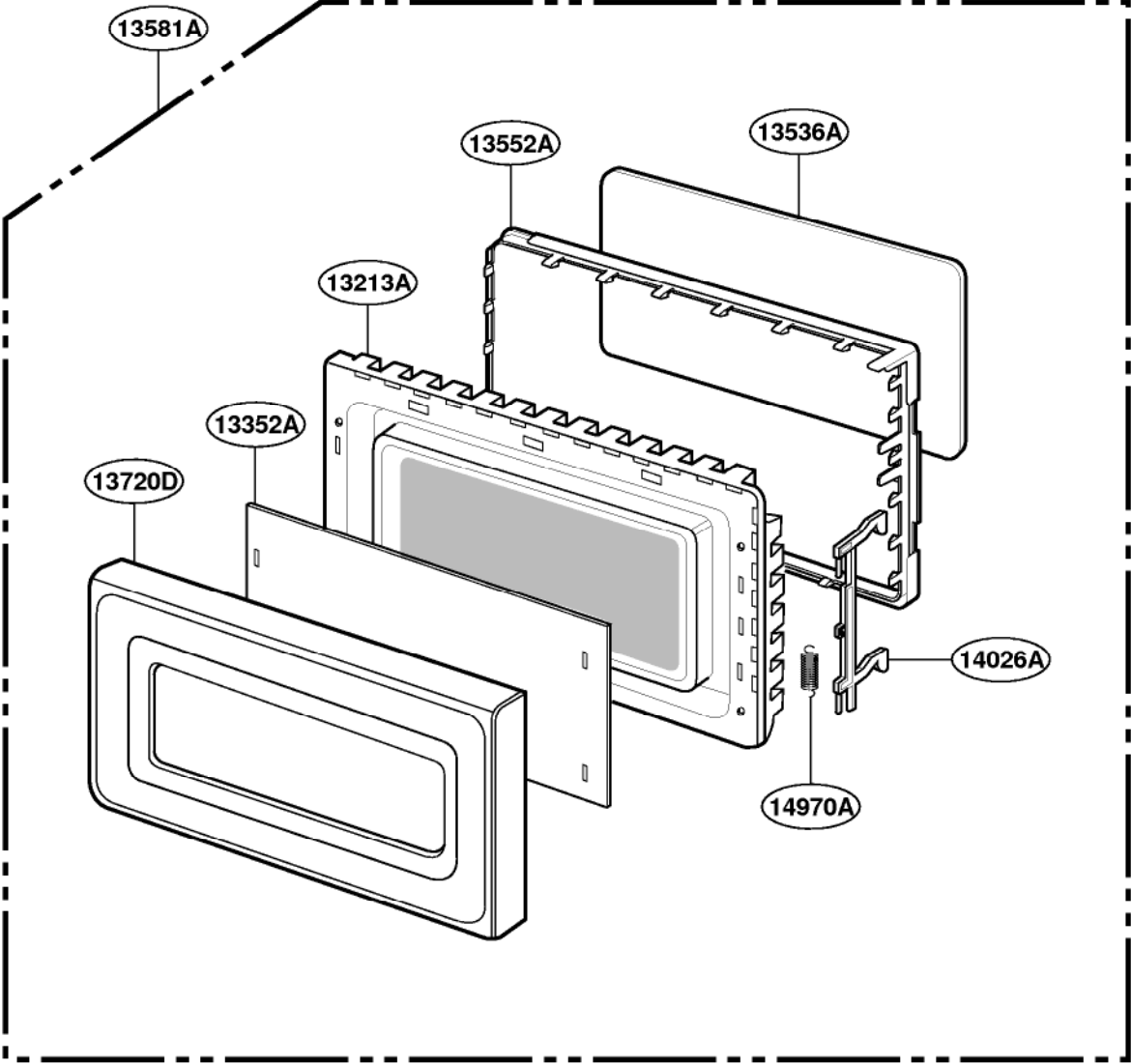
MT1071SG/YMT1071SG



P/NO: 3828W5S1382

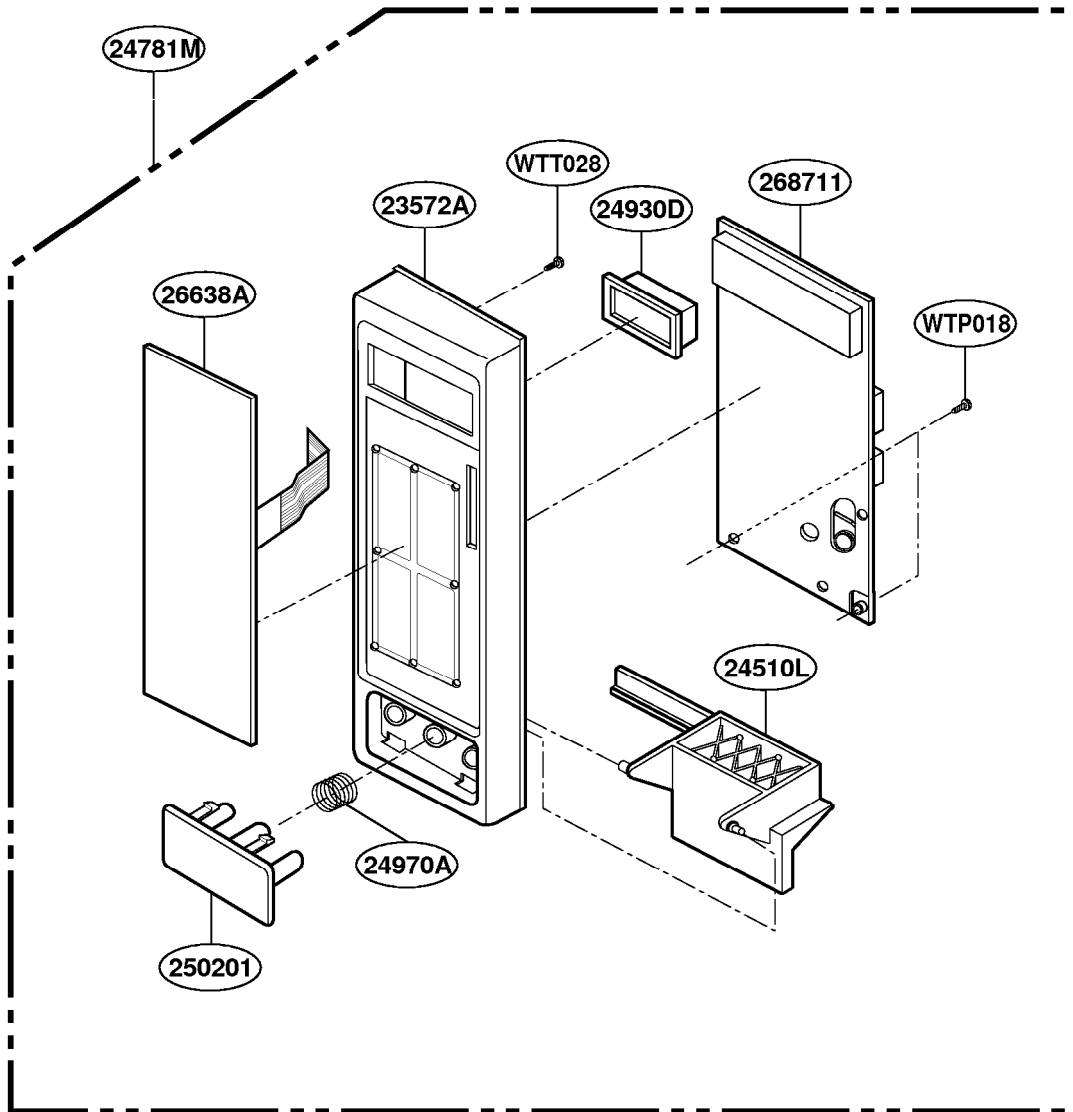
# DOOR PARTS

YMT1071SG



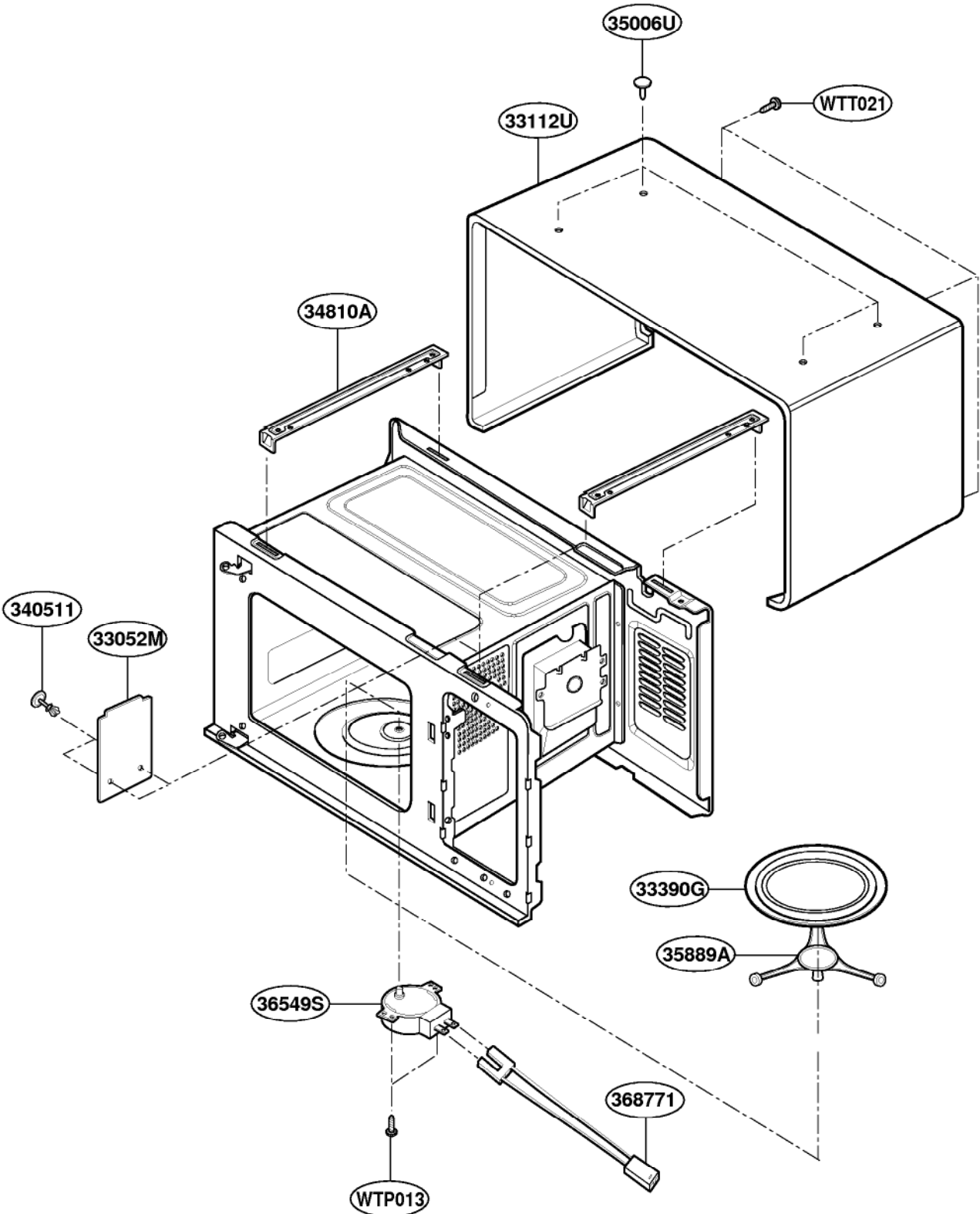
# CONTROLLER PARTS

YMT1071SG



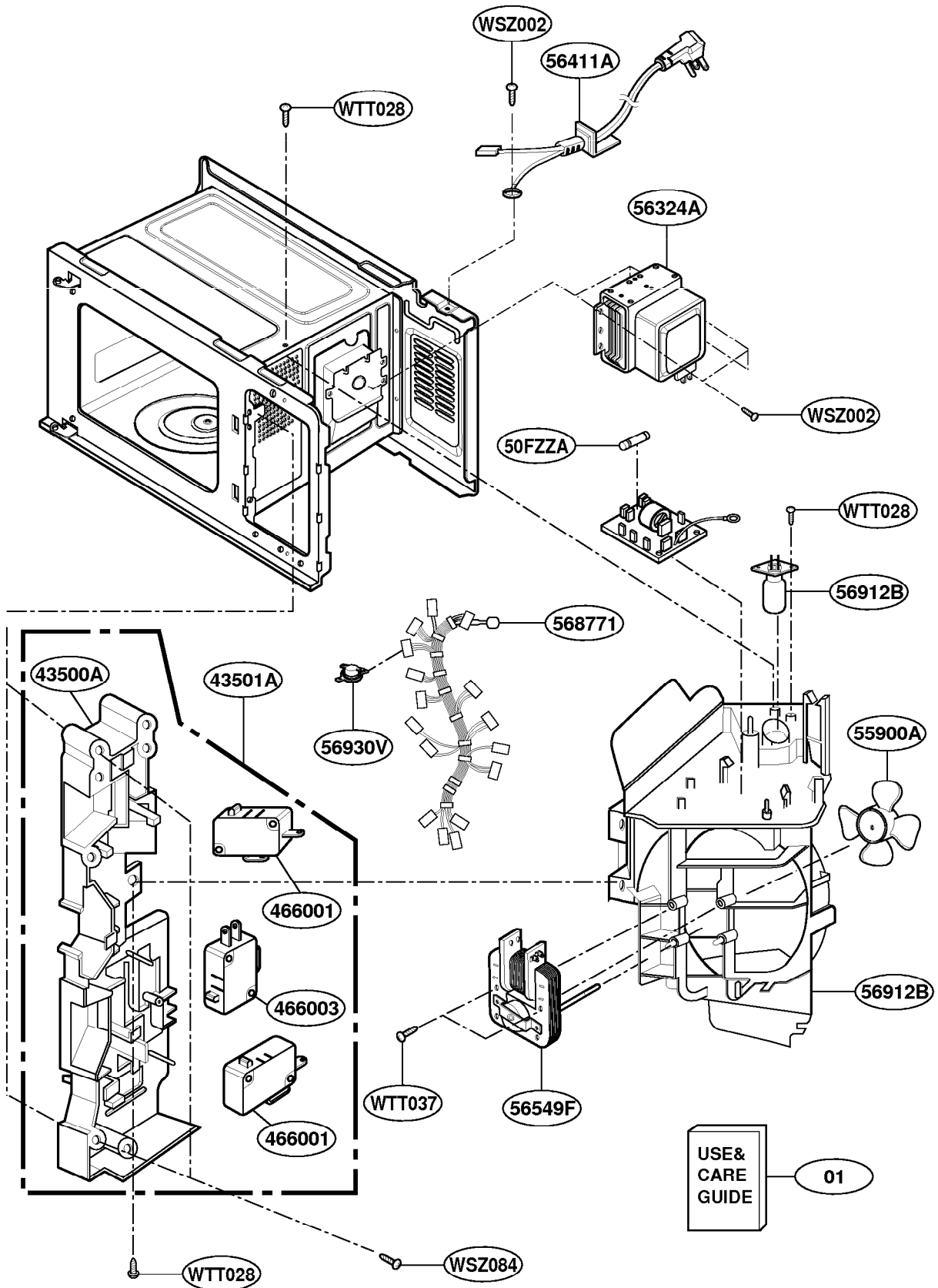
# OVEN CAVITY PARTS

YMT1071SG



# INTERIOR PARTS

## YMT1071SG



# BASE PLATE PARTS

YMT1071SG

