

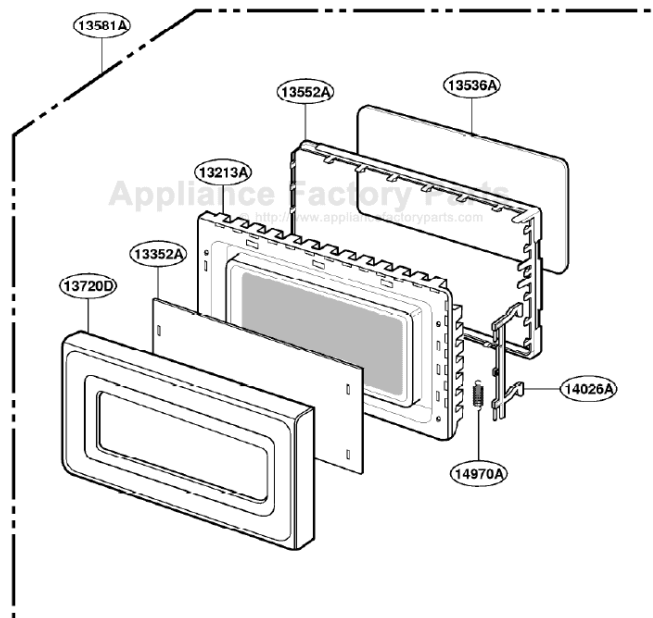
This Owner's Manual is provided and hosted by Appliance Factory Parts.



WHIRLPOOL MT1071SGQ Owner's Manual

[Shop genuine replacement parts for WHIRLPOOL
MT1071SGQ](#)

DOOR PARTS
YMT1071SG



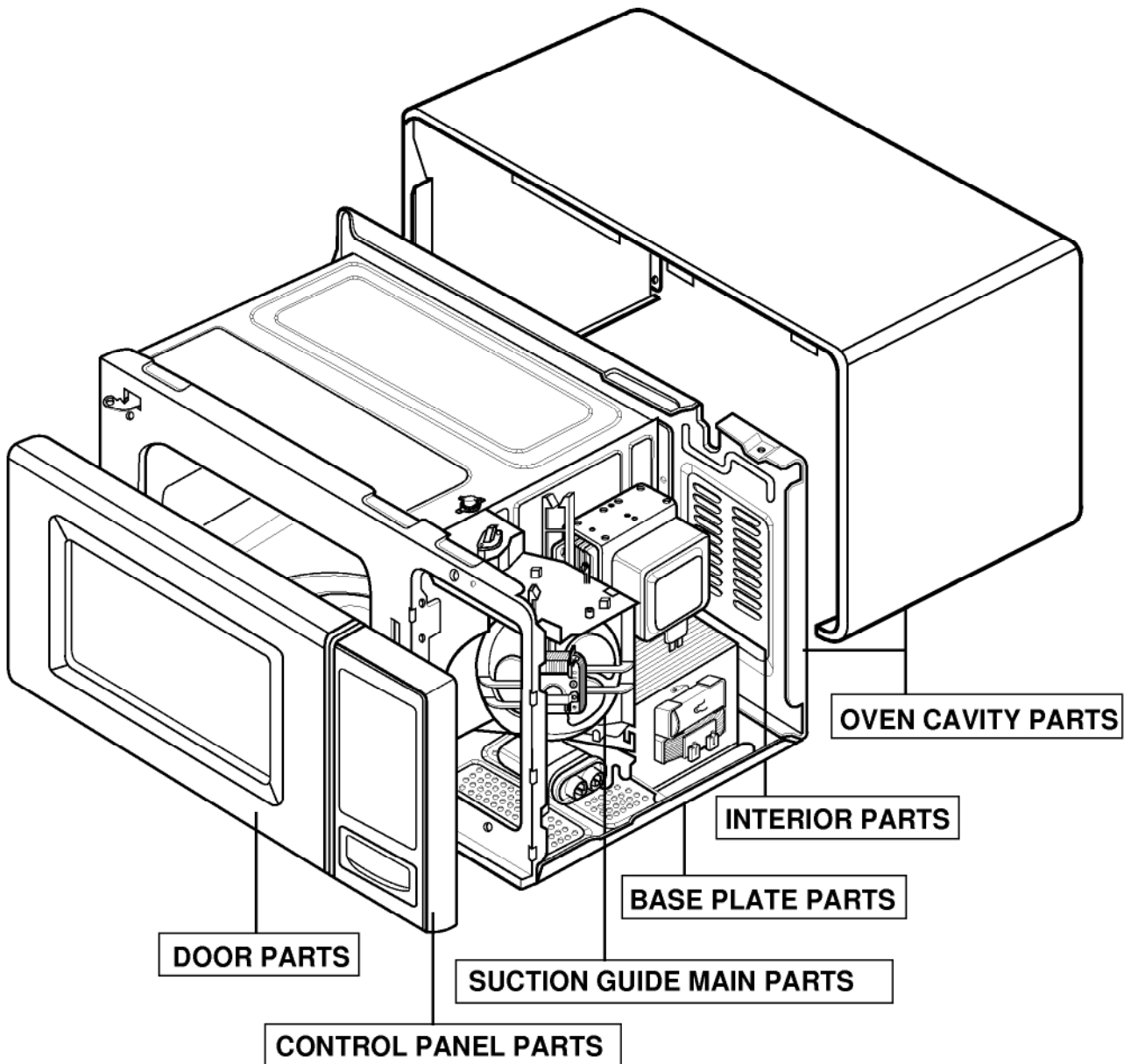
[Find Your WHIRLPOOL Microwave Parts - Select From 1350 Models](#)

----- Manual continues below -----

EXPLODED VIEW

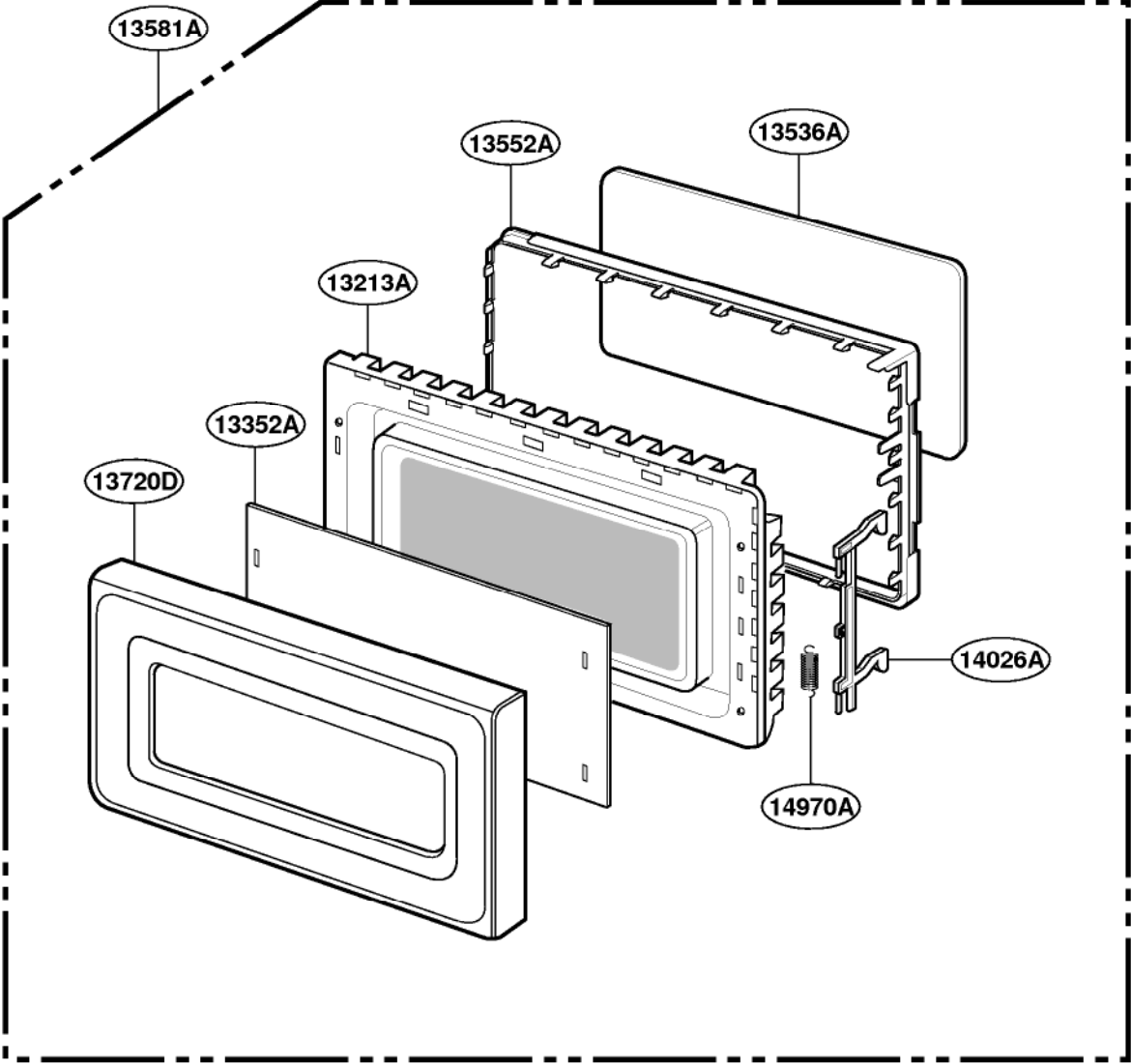
INTRODUCTION

MT1071SG/YMT1071SG



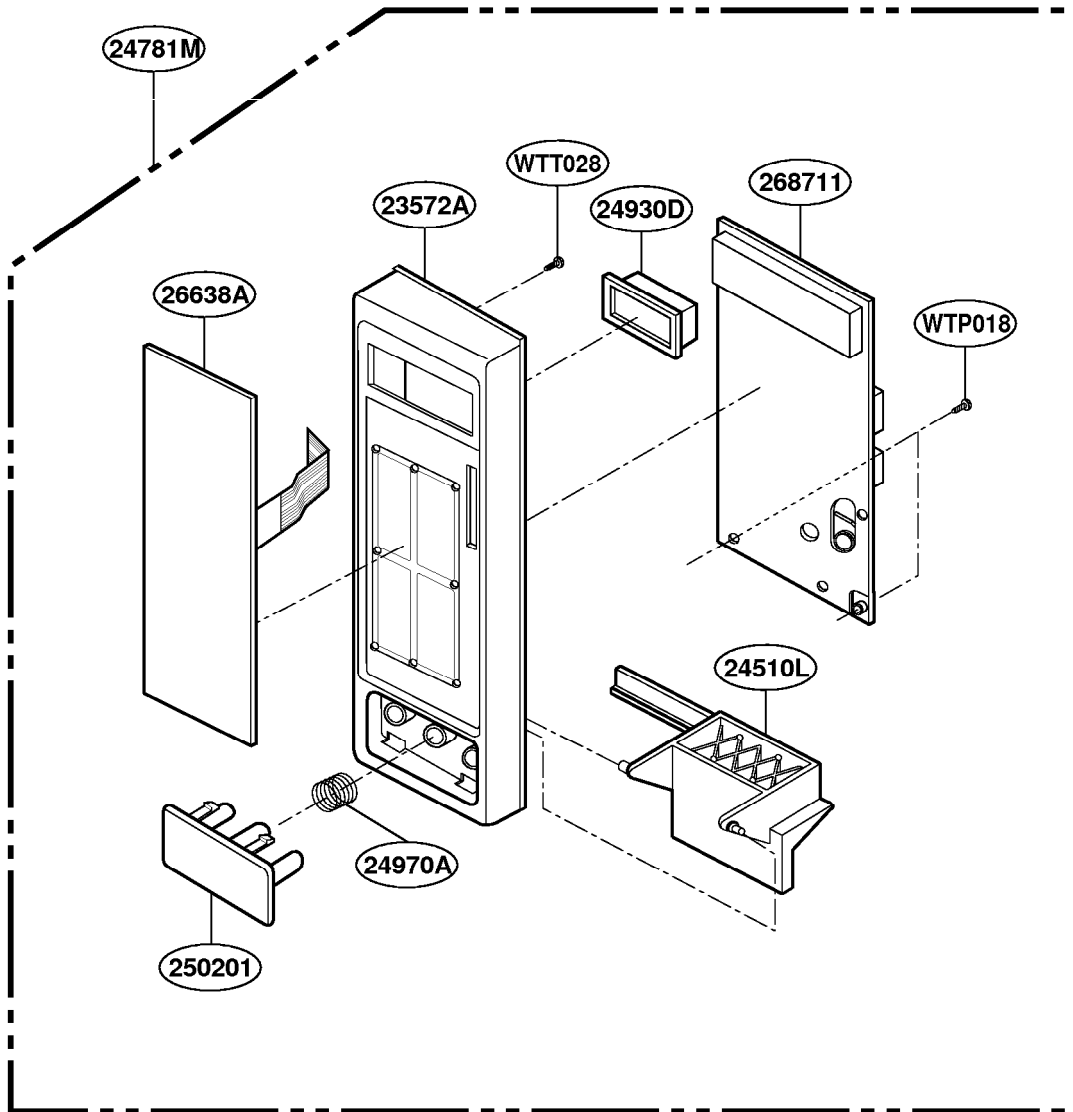
DOOR PARTS

YMT1071SG



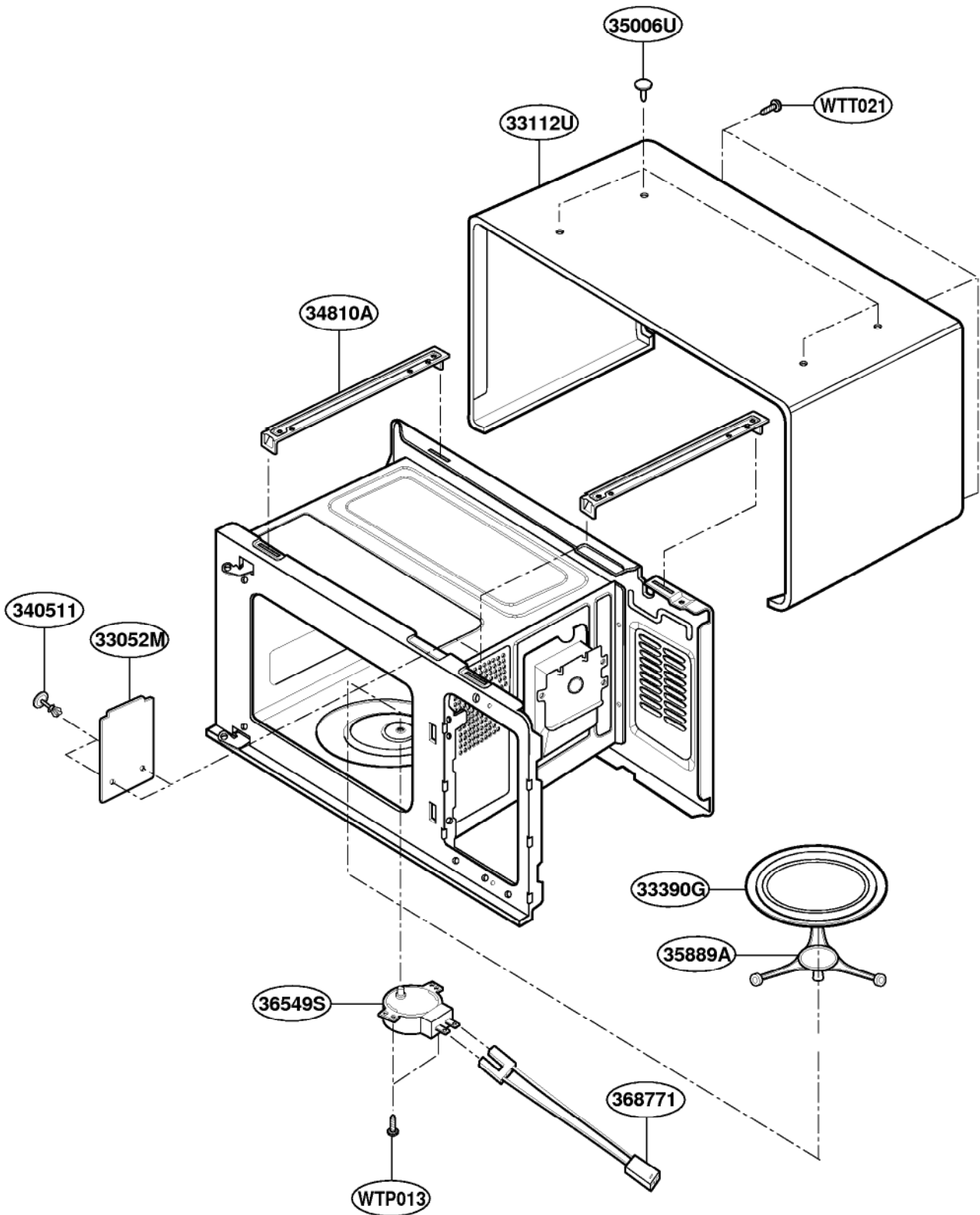
CONTROLLER PARTS

YMT1071SG



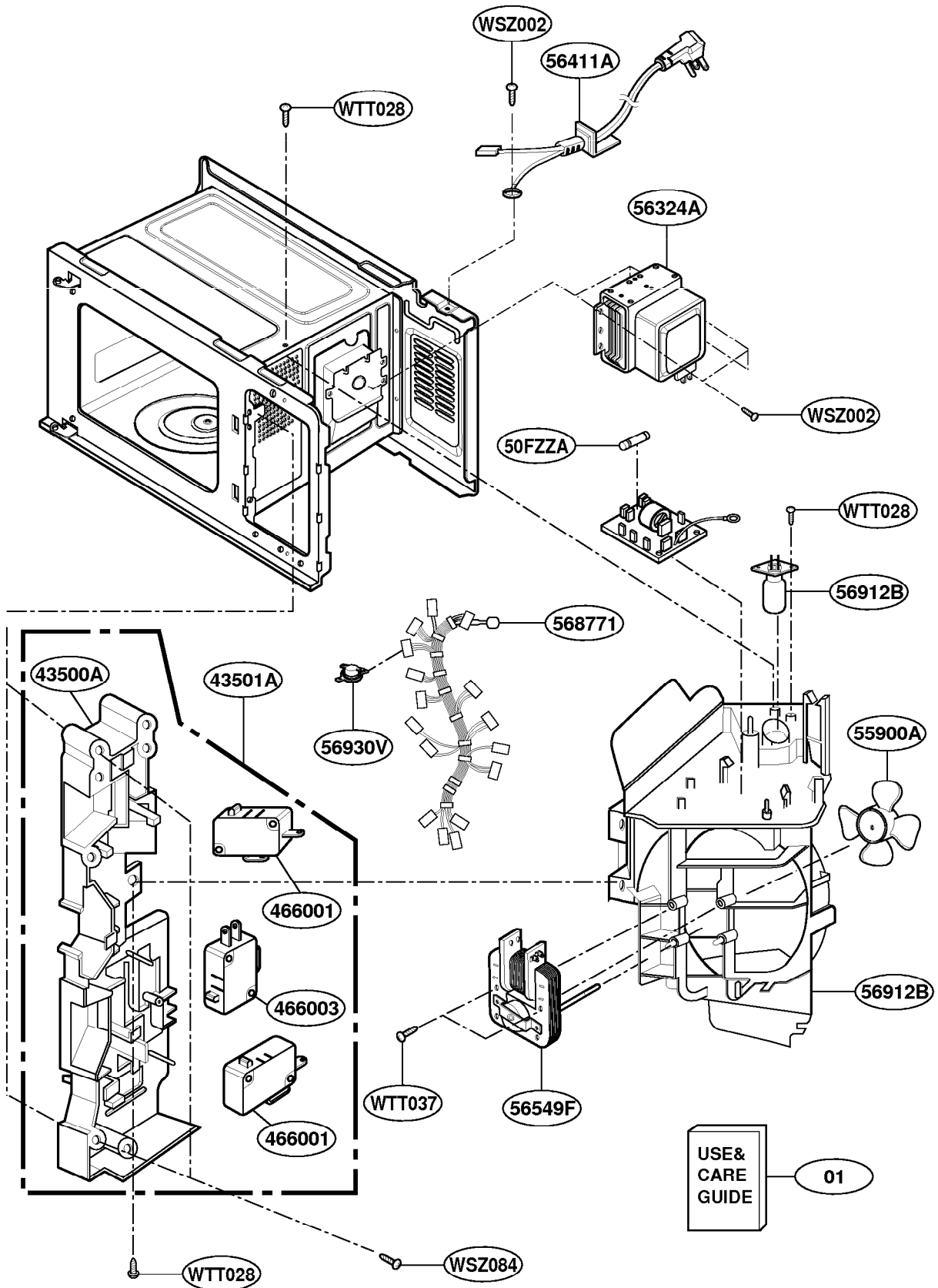
OVEN CAVITY PARTS

YMT1071SG



INTERIOR PARTS

YMT1071SG



BASE PLATE PARTS

YMT1071SG

