

This Owner's Manual is provided and hosted by [Appliance Factory Parts](http://Appliance Factory Parts).

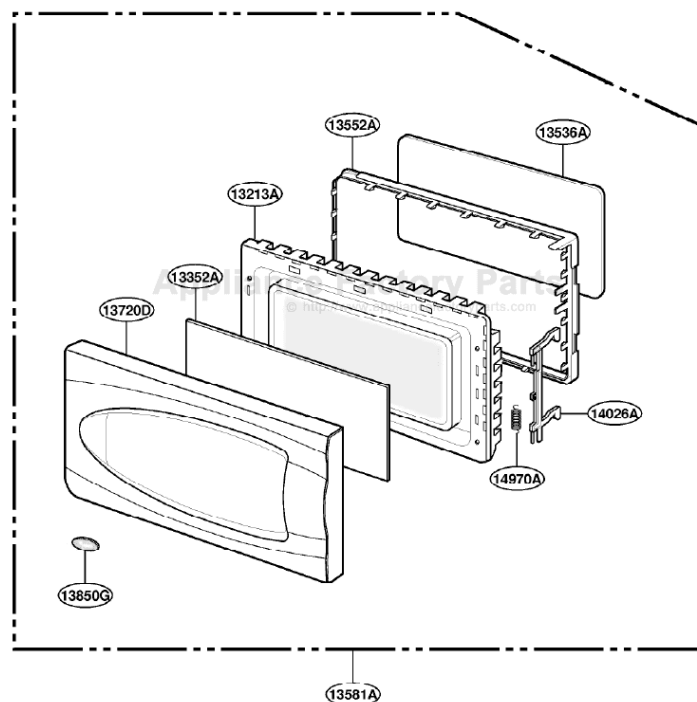


# WHIRLPOOL MT3070SHB-1 Owner's Manual

[Shop genuine replacement parts for WHIRLPOOL  
MT3070SHB-1](#)

## DOOR PARTS

MT3070SH



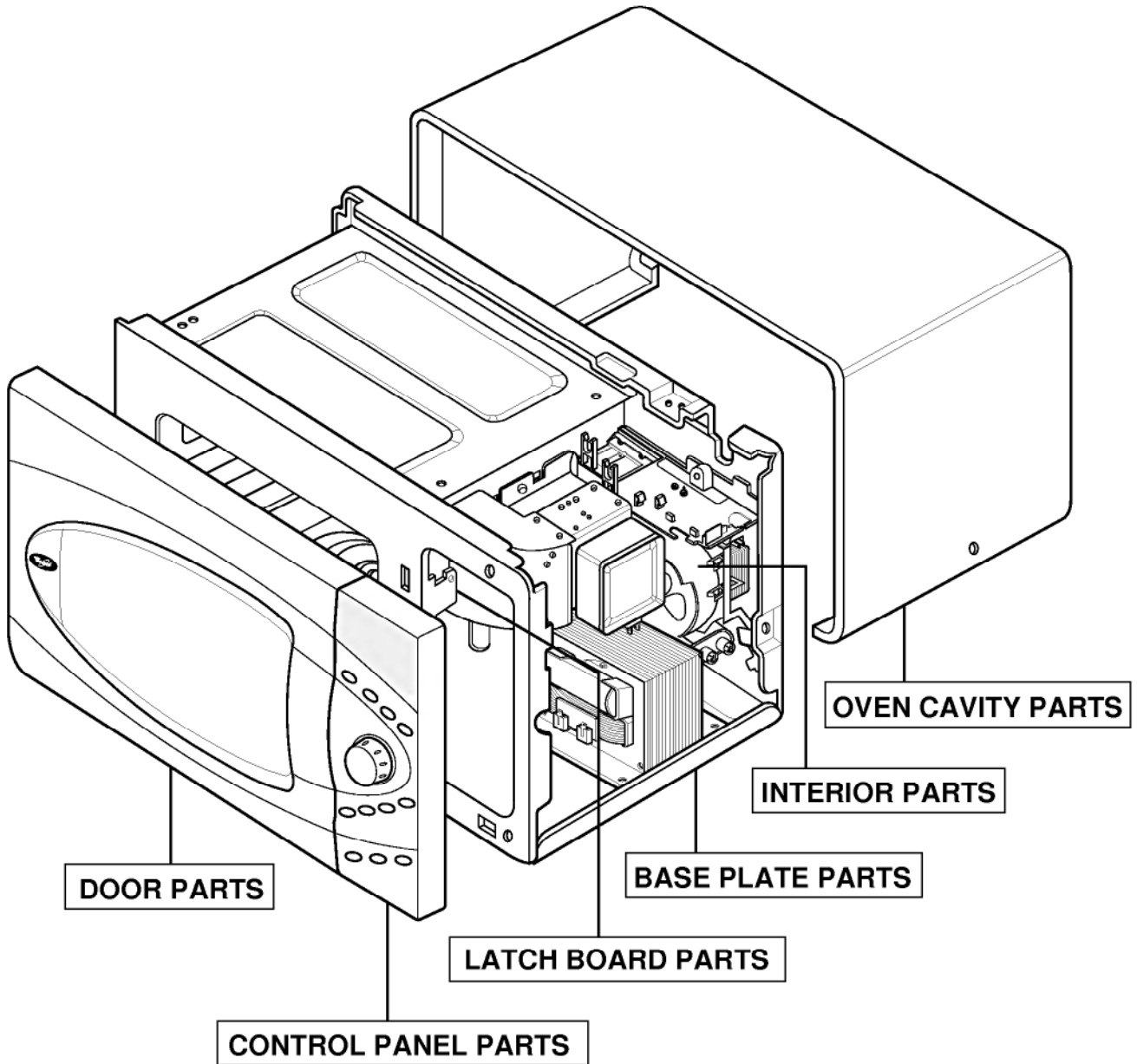
[Find Your WHIRLPOOL Microwave Parts - Select From 1350 Models](#)

----- Manual continues below -----

# EXPLODED VIEW

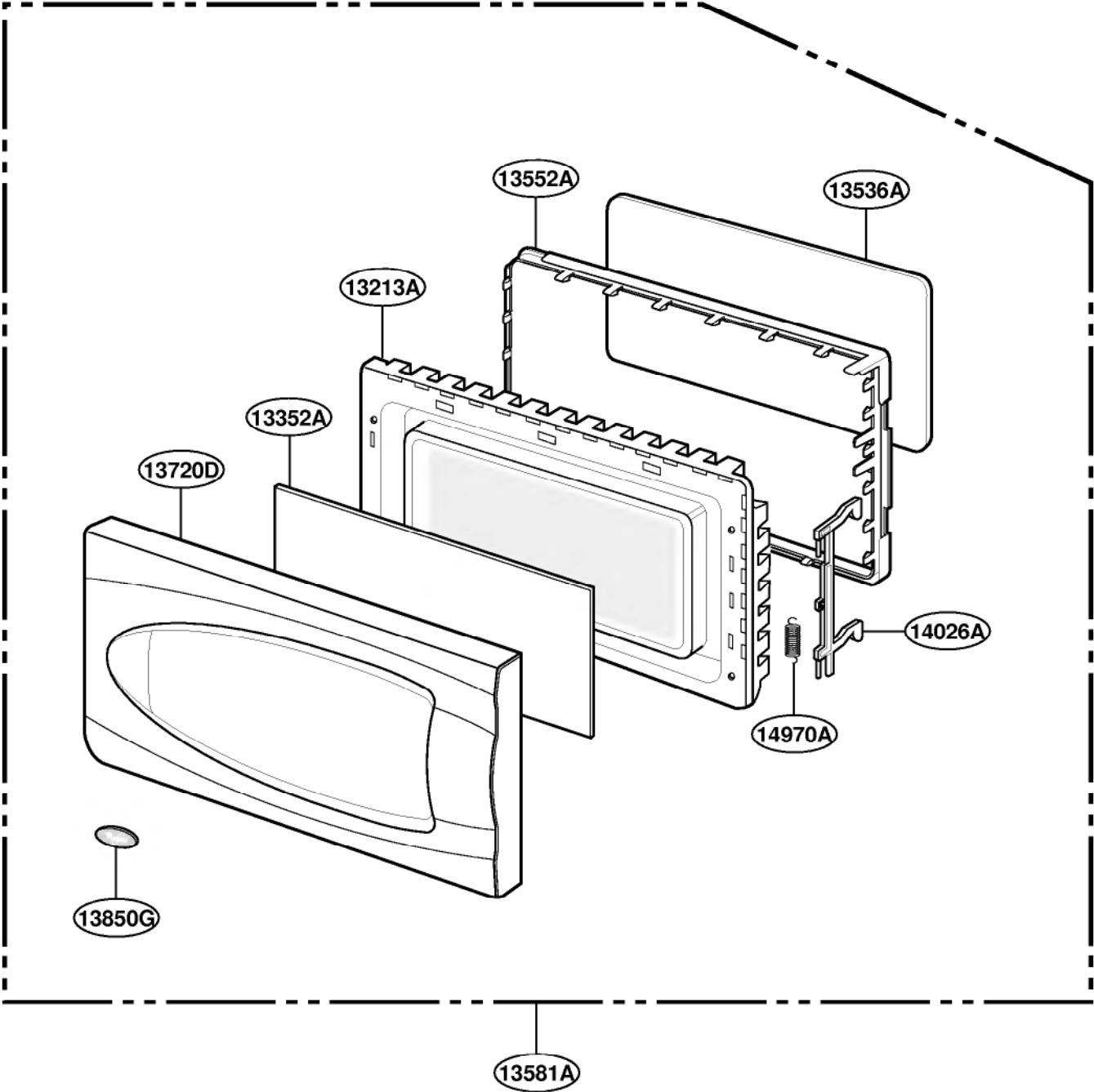
## INTRODUCTION

MT3070SH



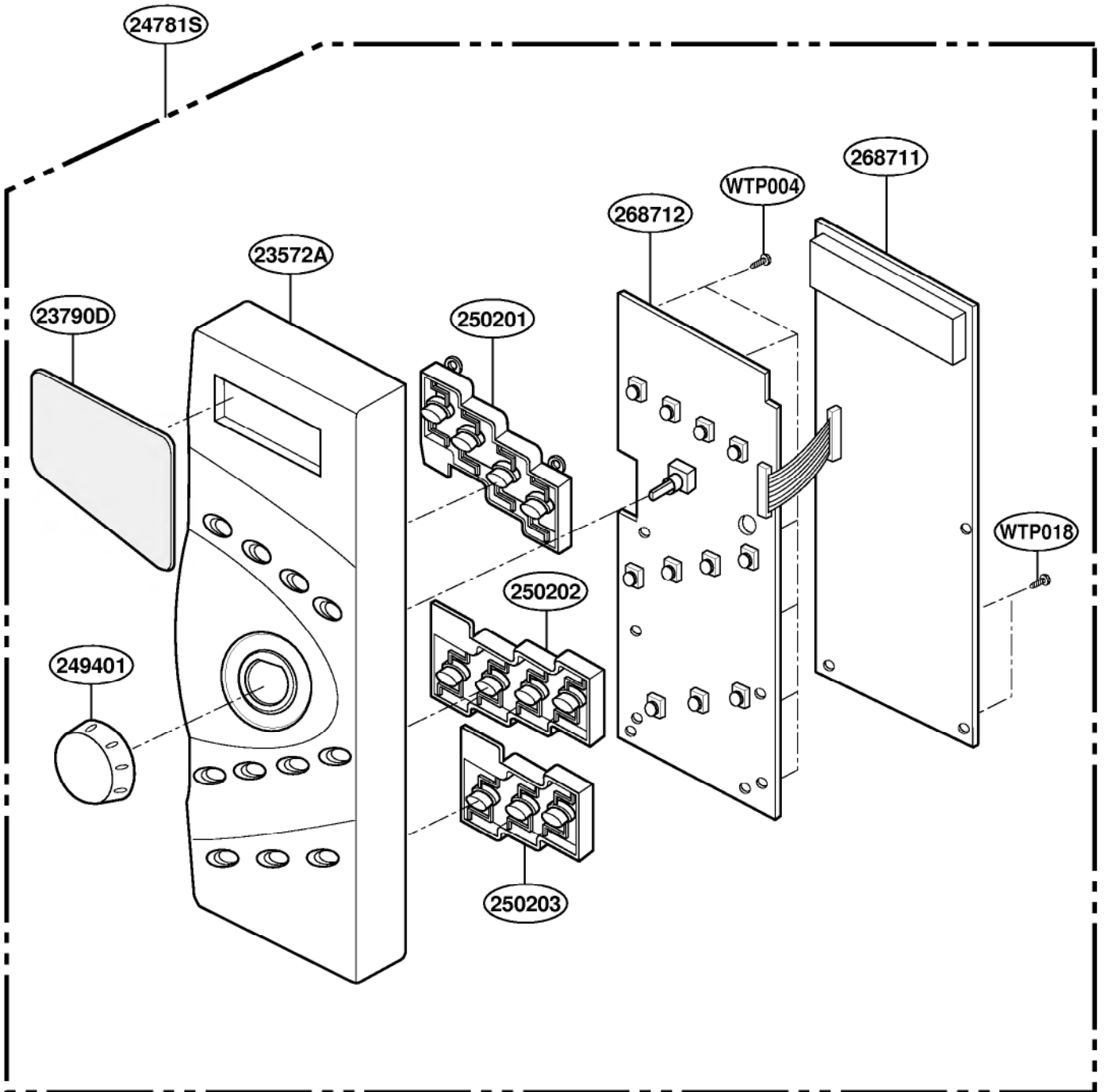
# DOOR PARTS

MT3070SH



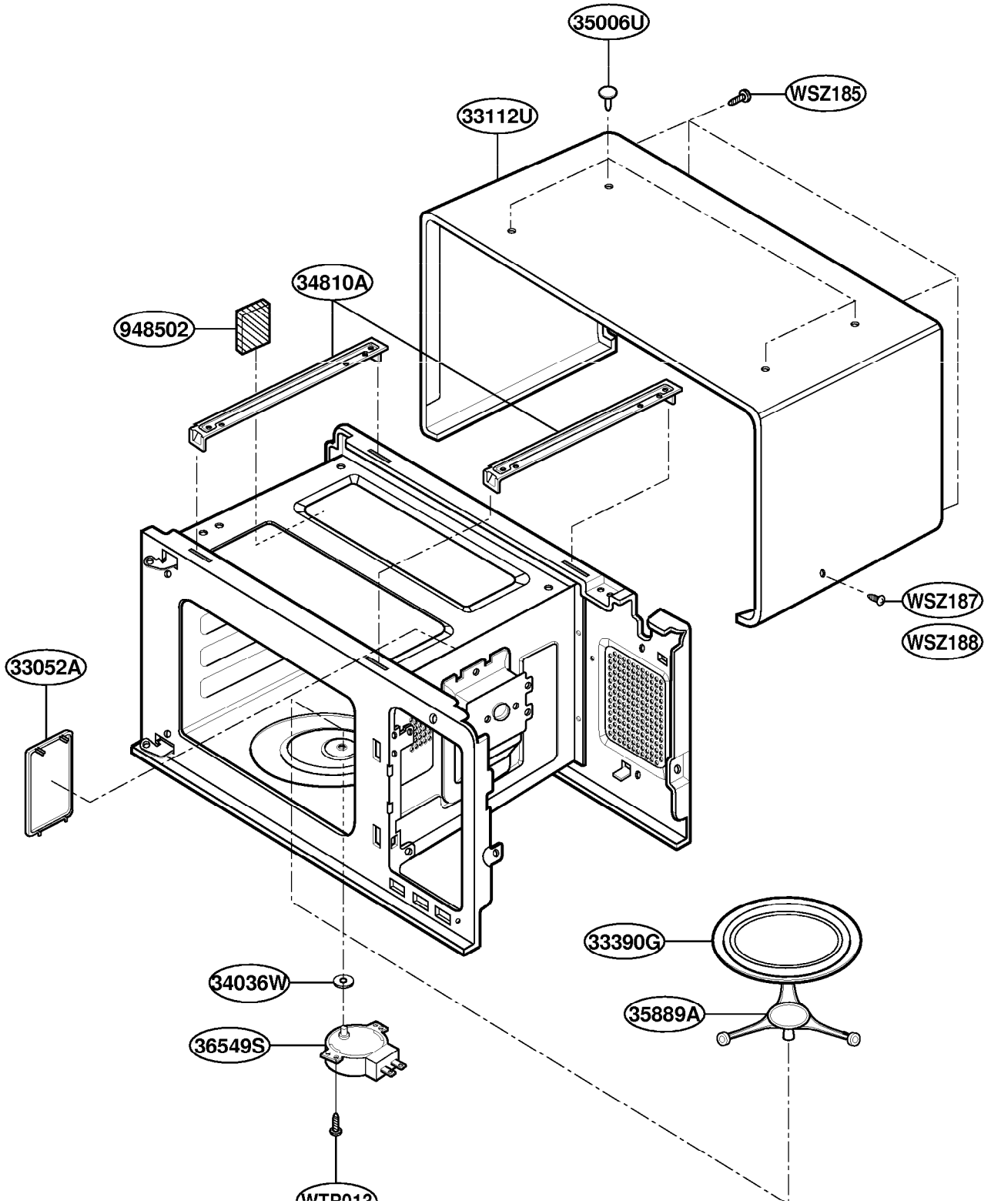
# CONTROL PANEL PARTS

MT3070SH



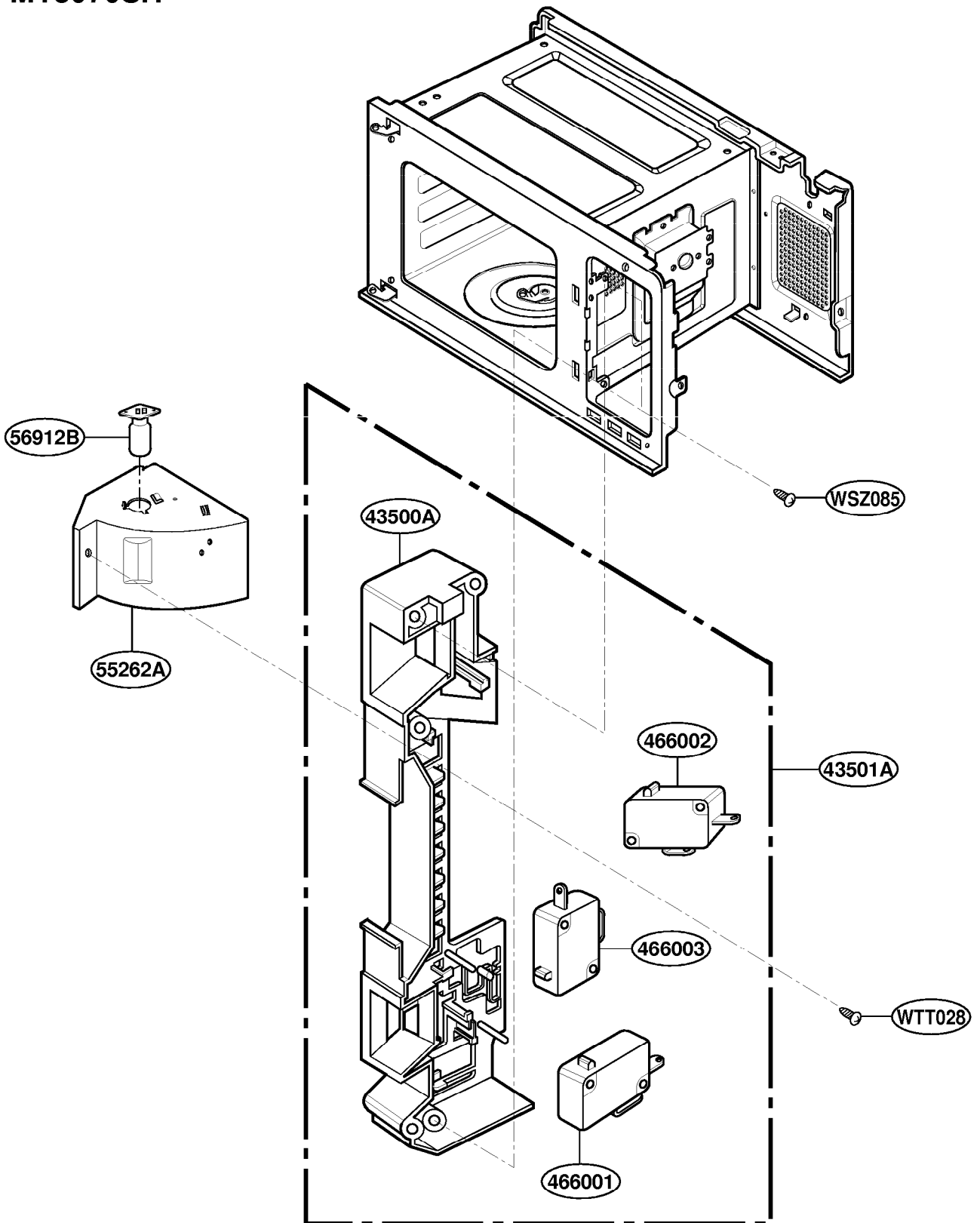
# OVEN CAVITY PARTS

MT3070SH



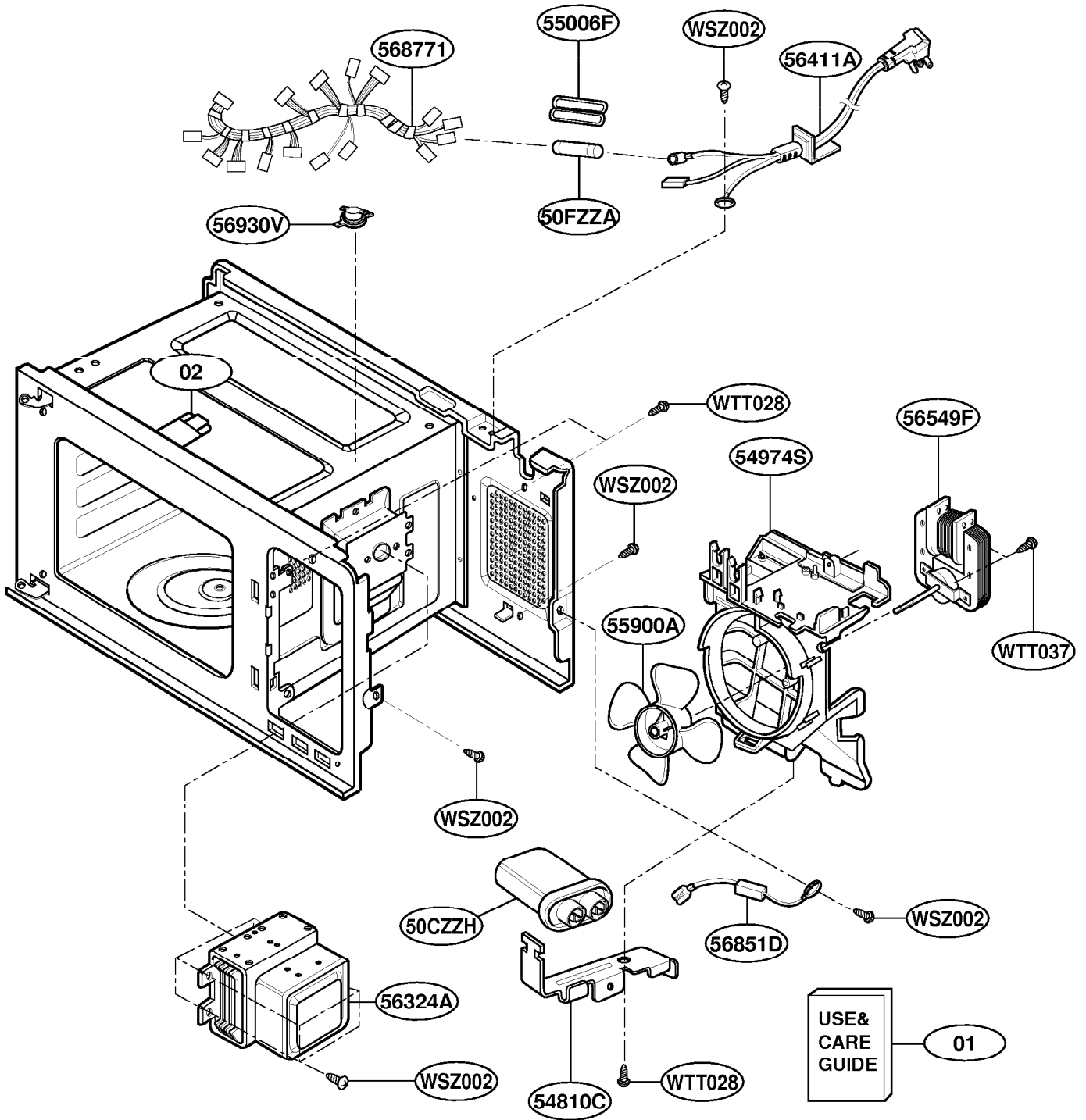
# LATCH BOARD PARTS

MT3070SH



# INTERIOR PARTS

MT3070SH



# BASE PLATE PARTS

MT3070SH

