

This Owner's Manual is provided and hosted by Appliance Factory Parts.

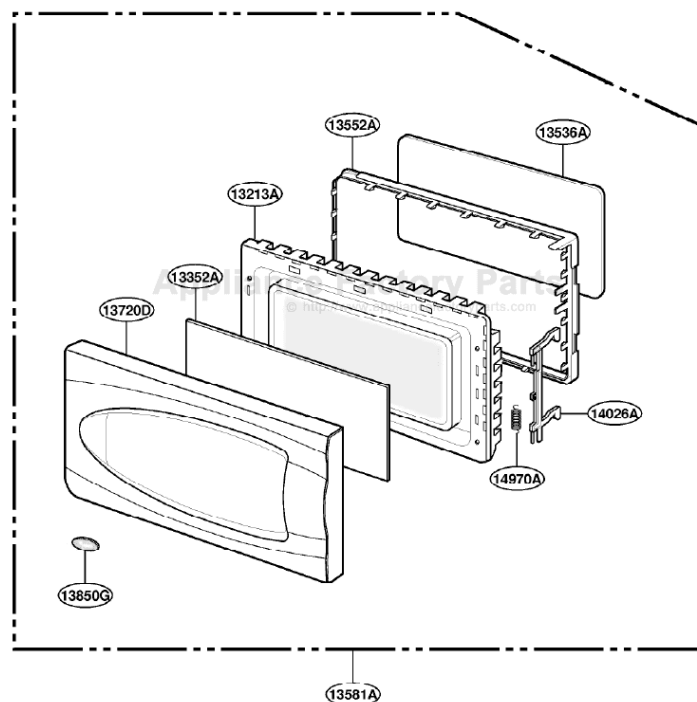


WHIRLPOOL MT3070SHB-2 Owner's Manual

[Shop genuine replacement parts for WHIRLPOOL
MT3070SHB-2](#)

DOOR PARTS

MT3070SH



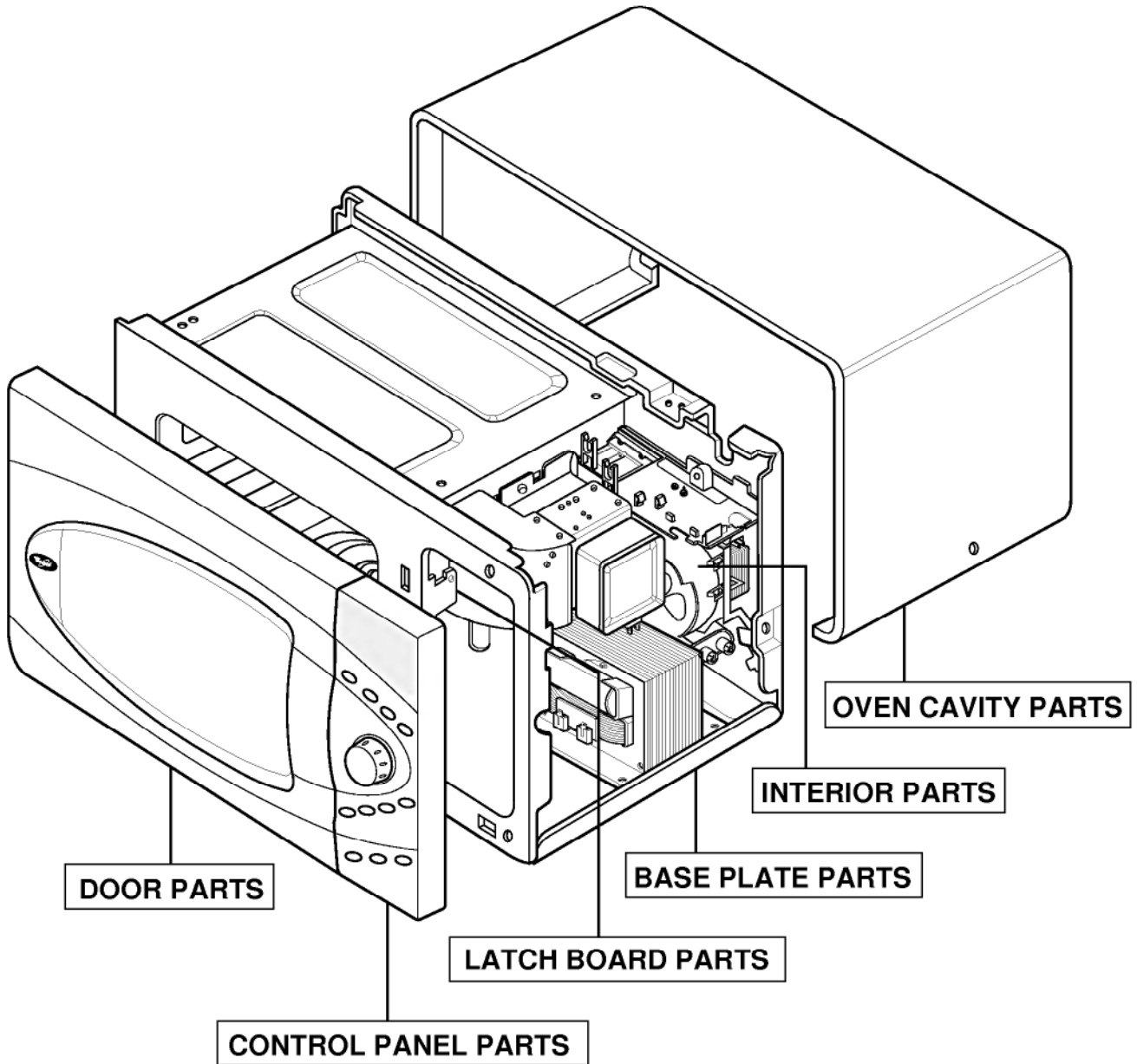
[Find Your WHIRLPOOL Microwave Parts - Select From 1350 Models](#)

----- Manual continues below -----

EXPLODED VIEW

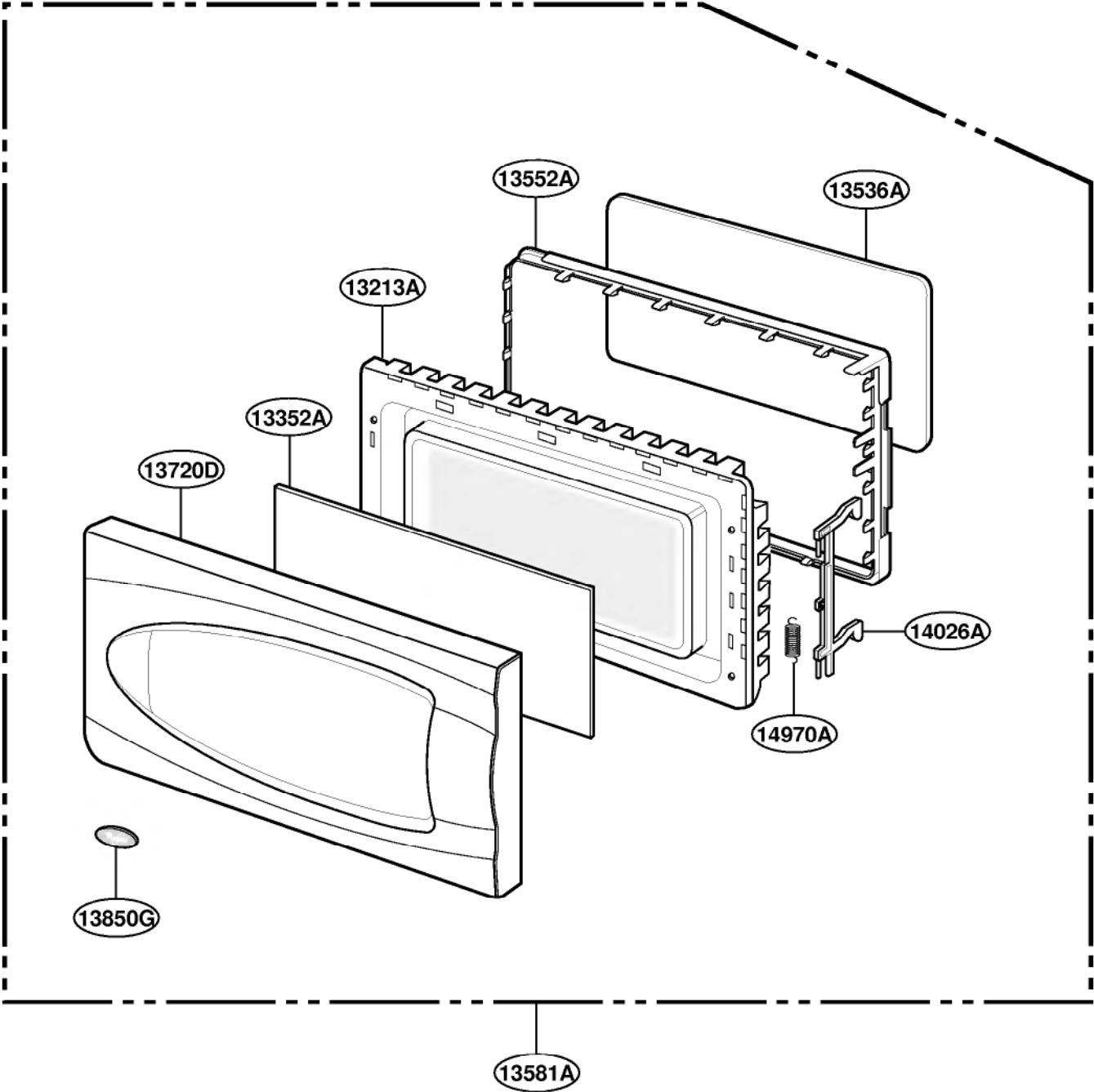
INTRODUCTION

MT3070SH



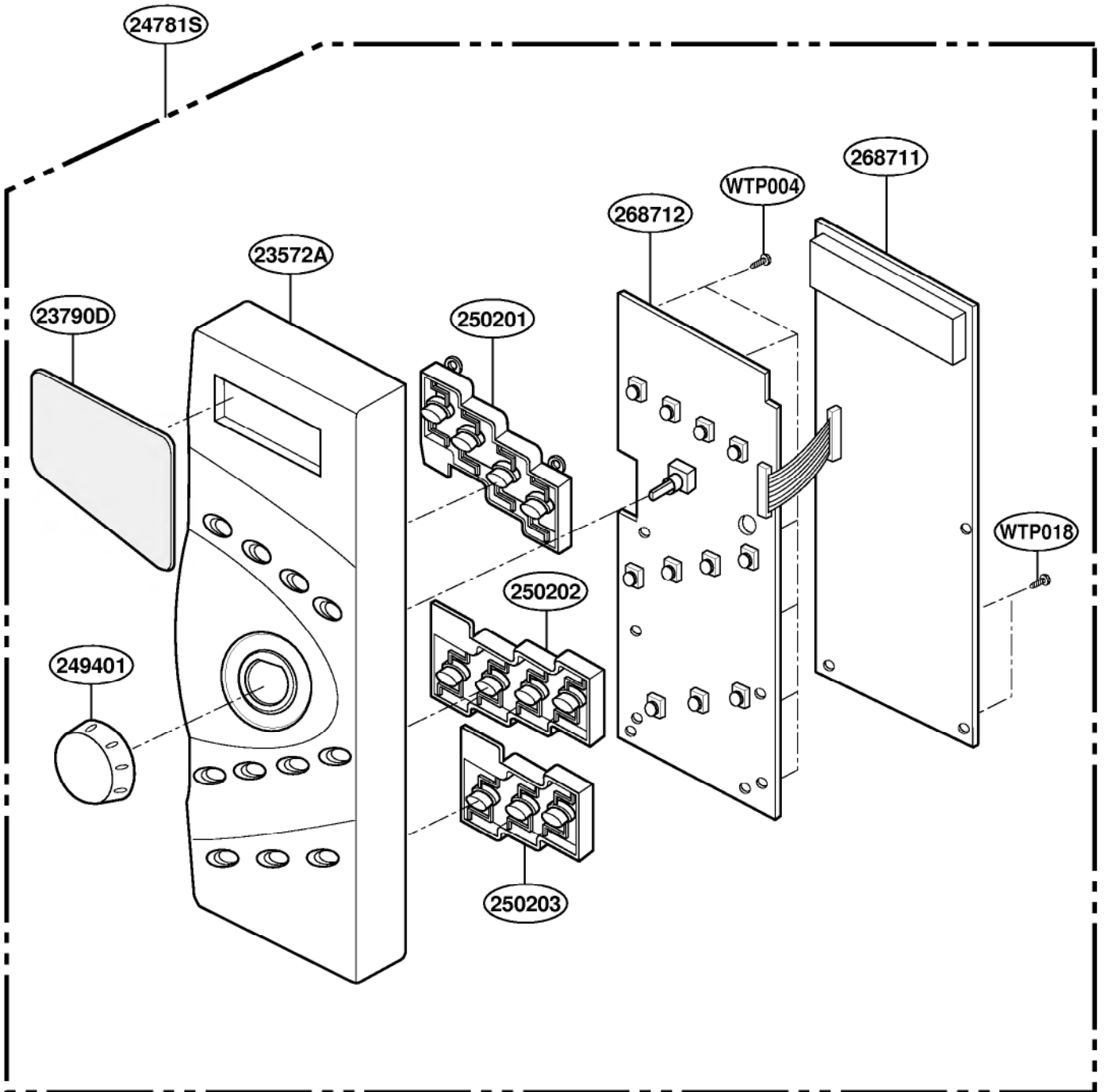
DOOR PARTS

MT3070SH



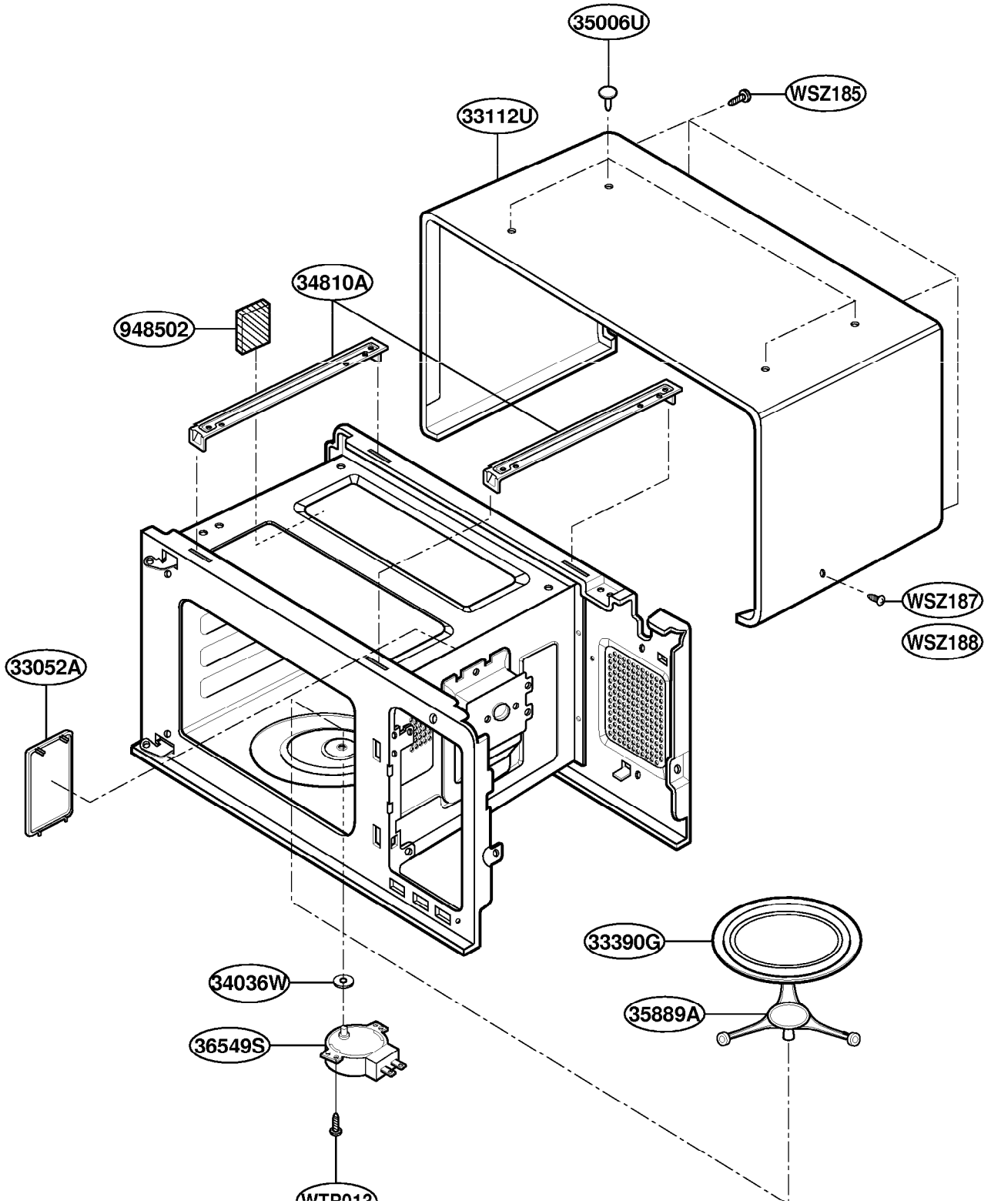
CONTROL PANEL PARTS

MT3070SH



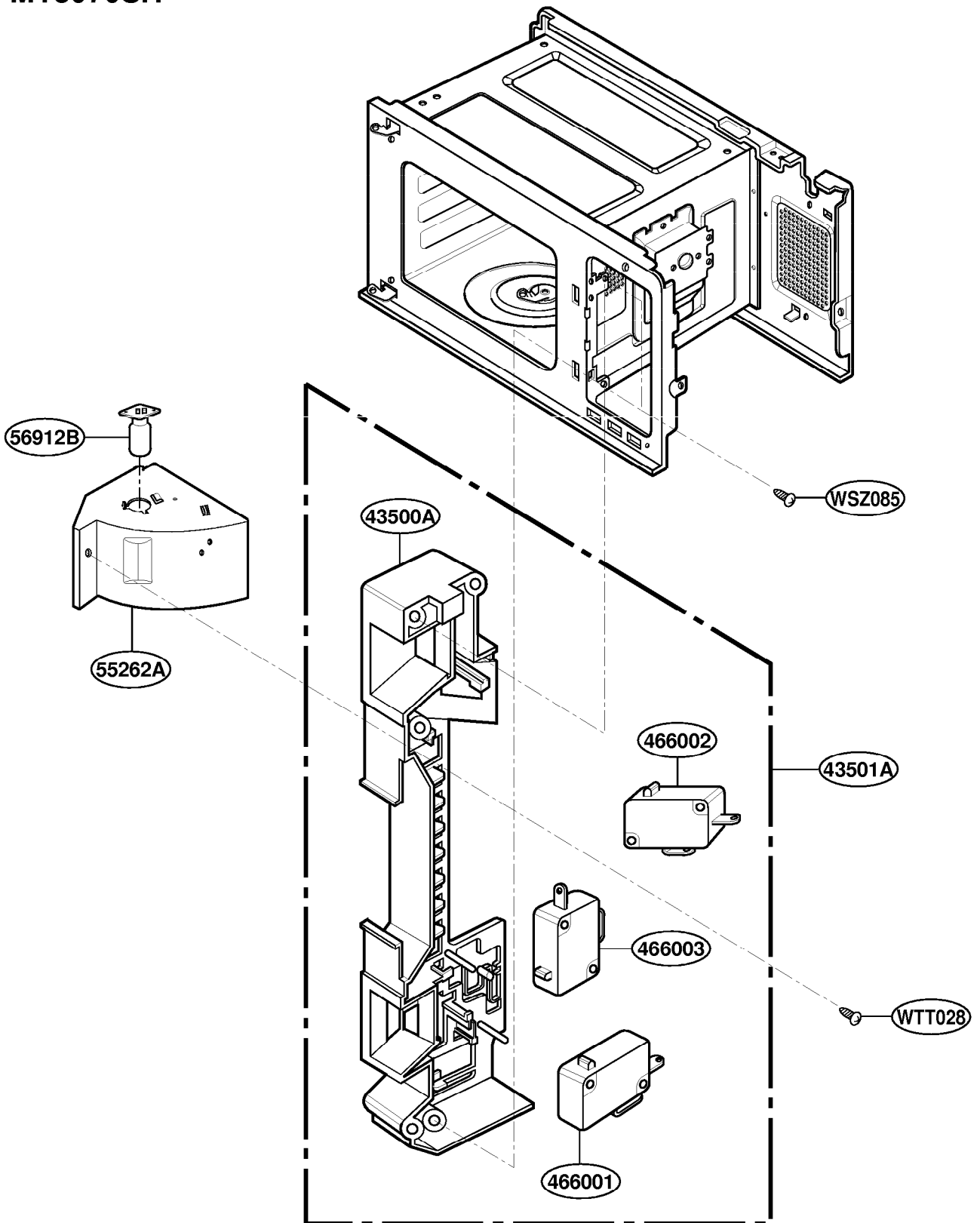
OVEN CAVITY PARTS

MT3070SH



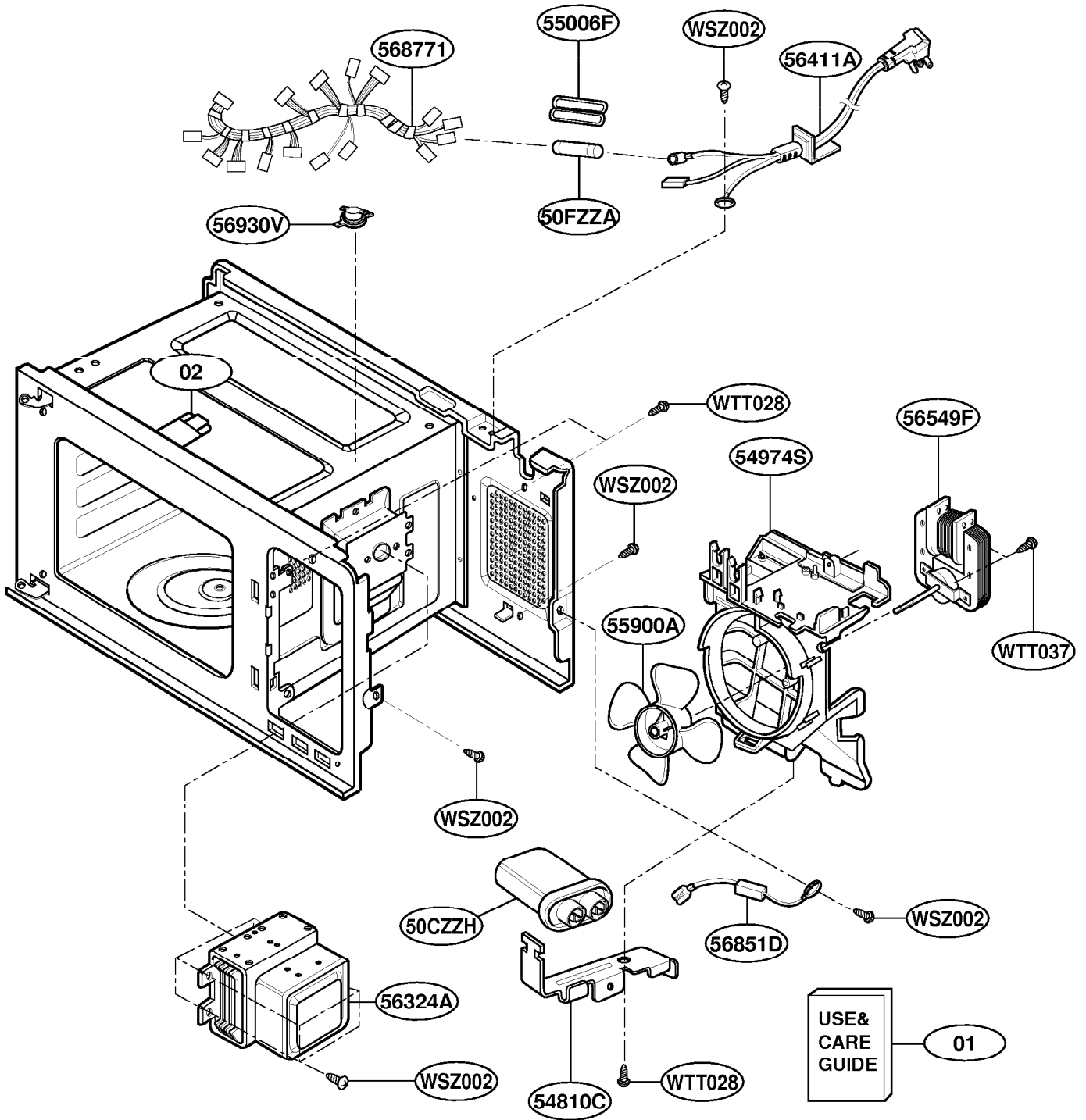
LATCH BOARD PARTS

MT3070SH



INTERIOR PARTS

MT3070SH



BASE PLATE PARTS

MT3070SH

