

This Owner's Manual is provided and hosted by [Appliance Factory Parts](http://ApplianceFactoryParts.com).

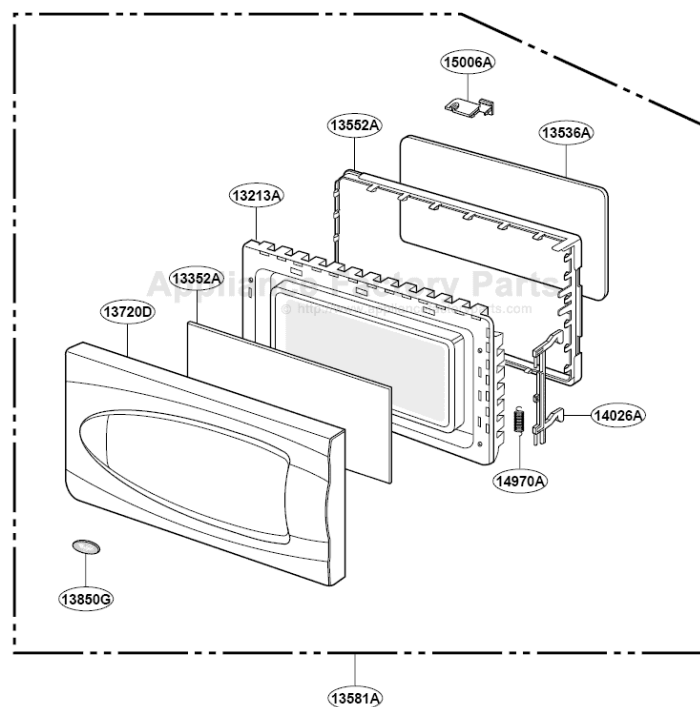


WHIRLPOOL MT3100SHB0 Owner's Manual

[Shop genuine replacement parts for WHIRLPOOL
MT3100SHB0](#)

DOOR PARTS

MT3100SH



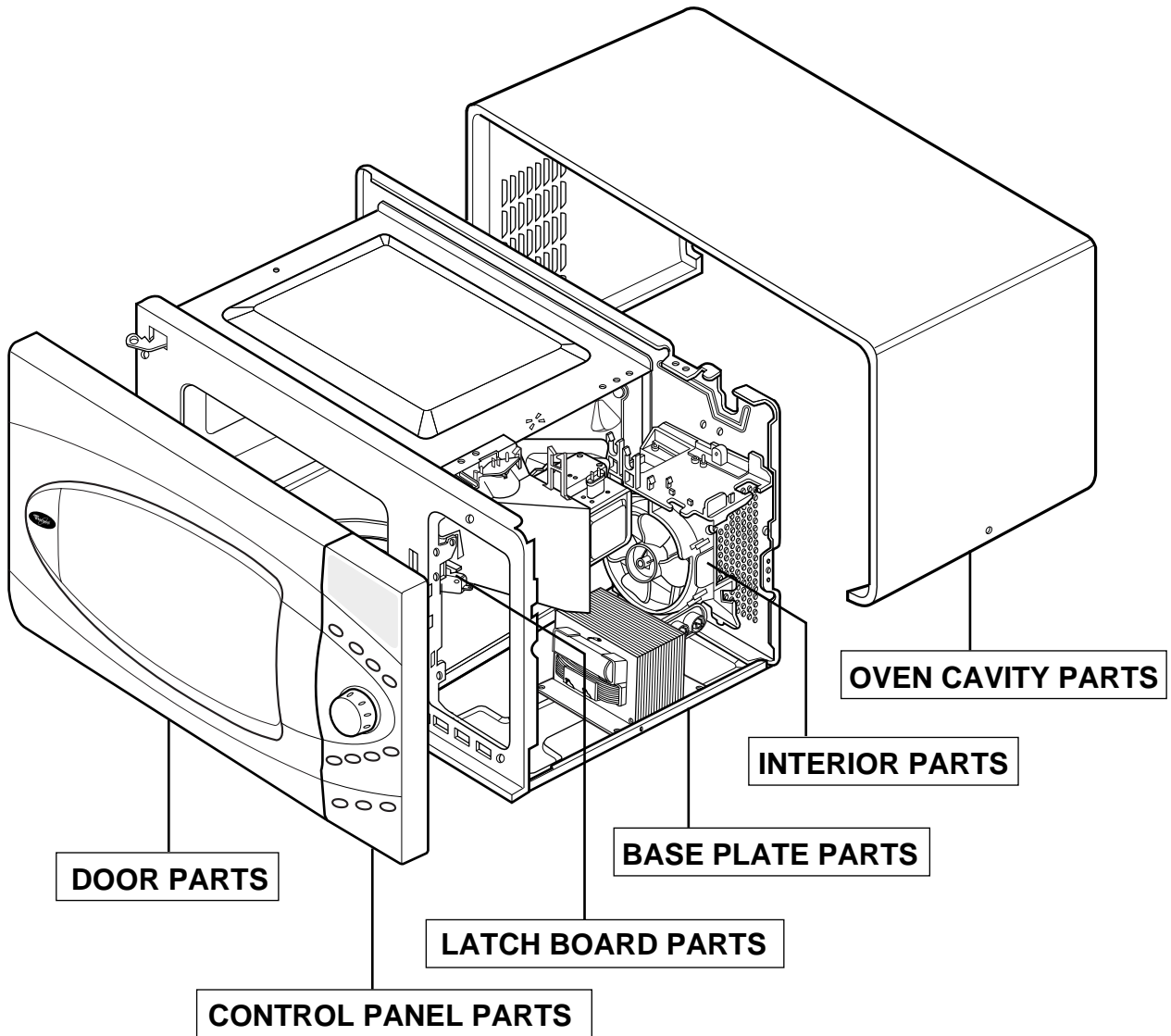
[Find Your WHIRLPOOL Microwave Parts - Select From 1350 Models](#)

----- Manual continues below -----

EXPLODED VIEW

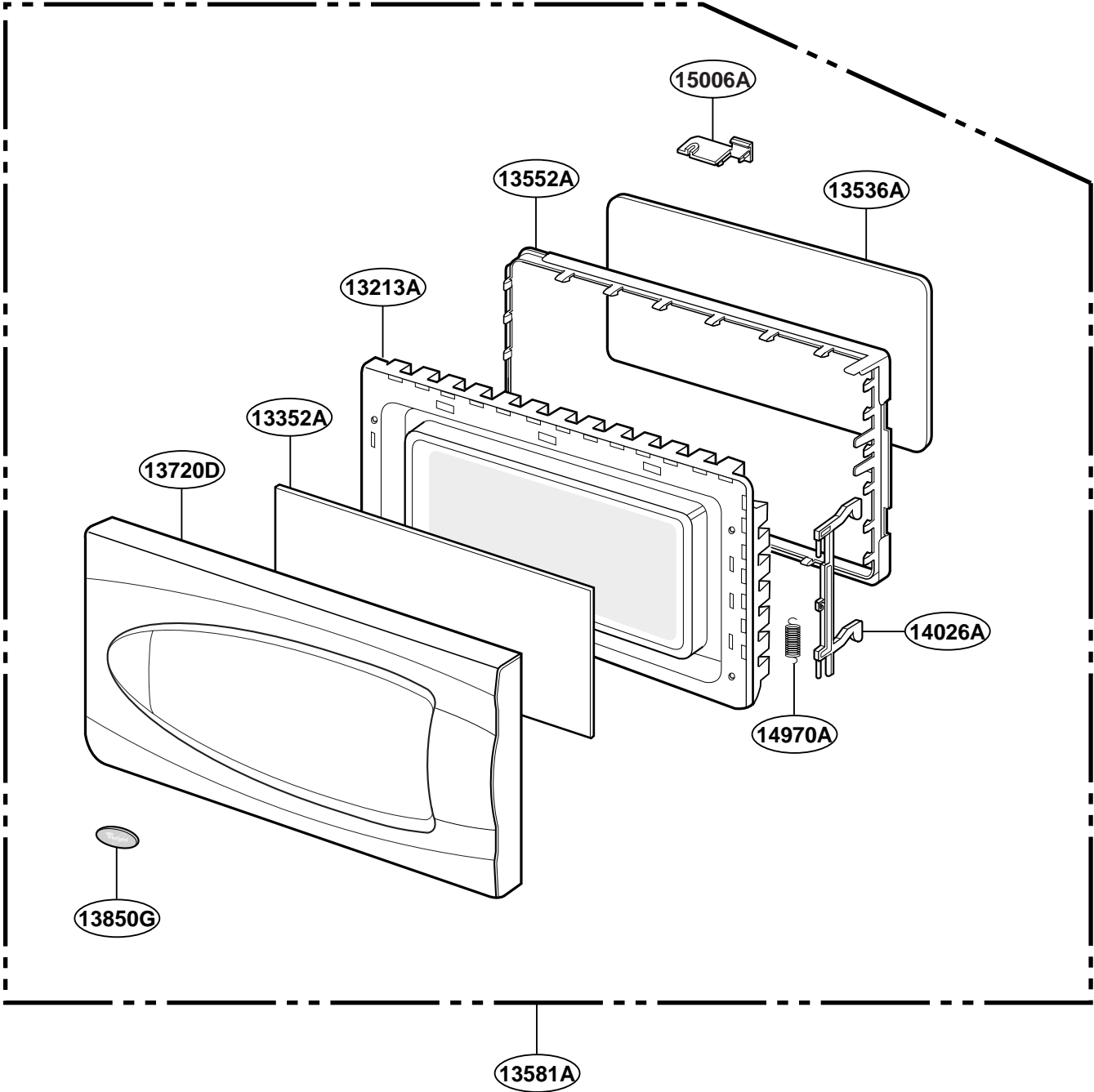
INTRODUCTION

MT3100SH



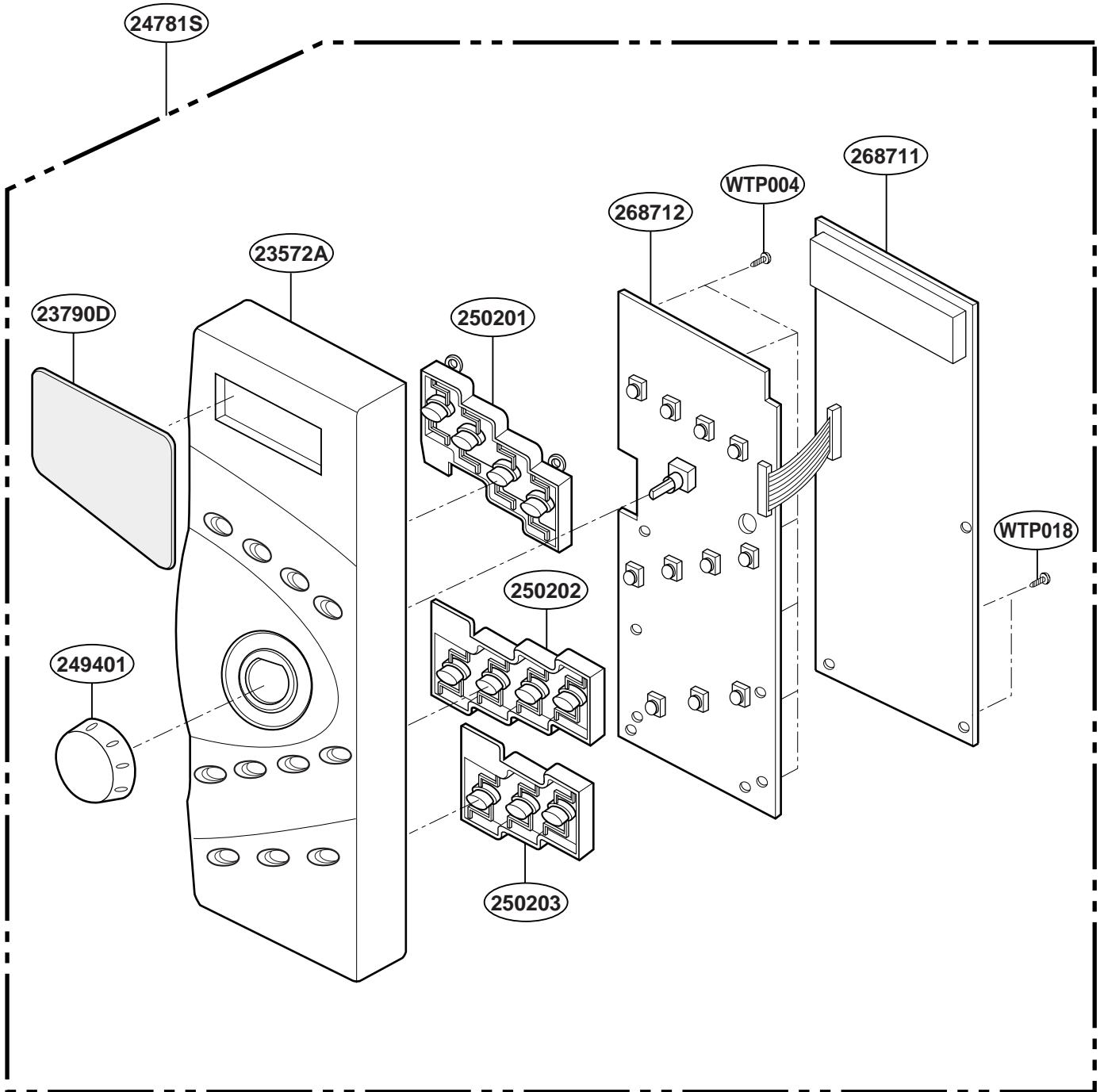
DOOR PARTS

MT3100SH



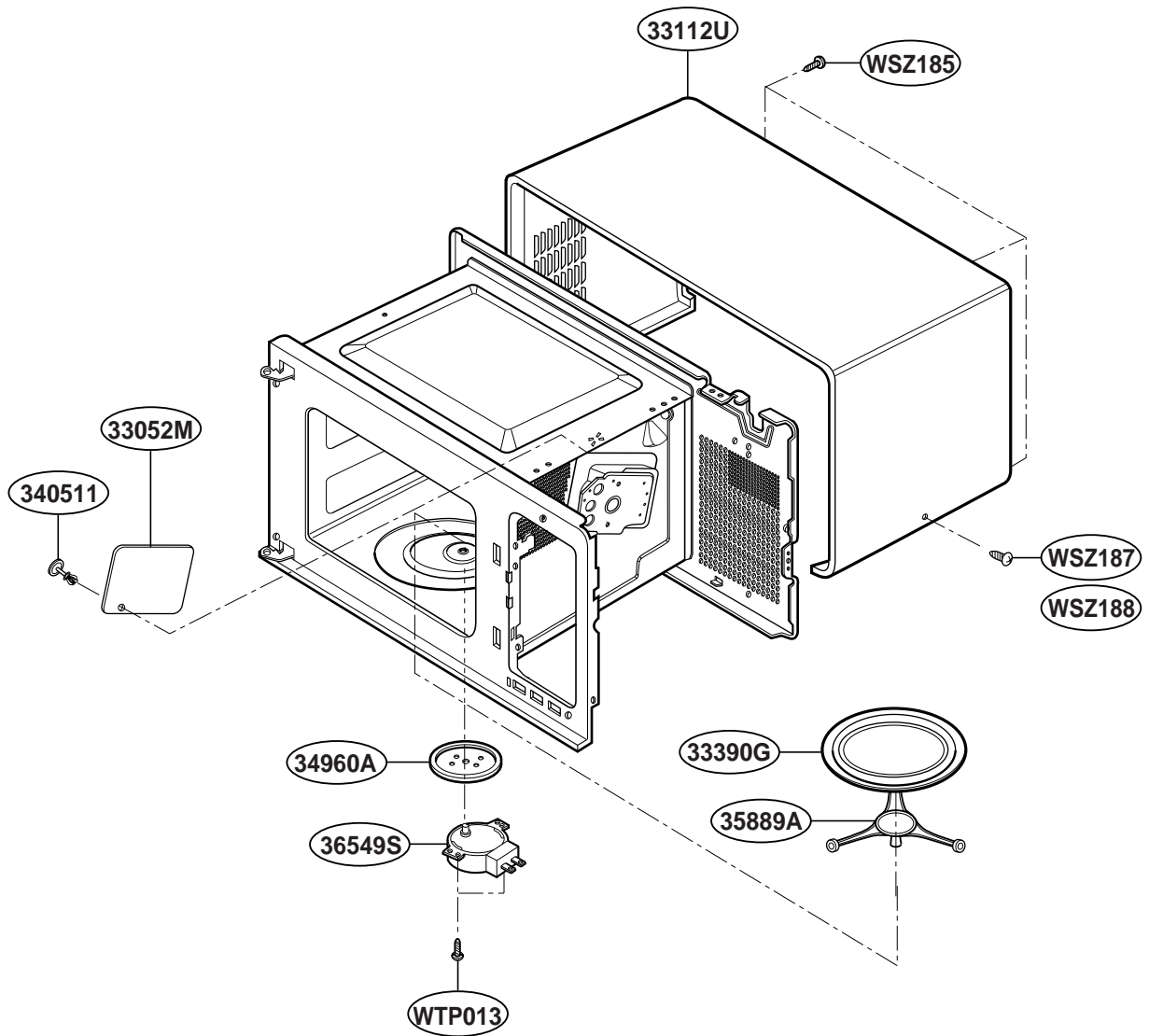
CONTROL PANEL PARTS

MT3100SH



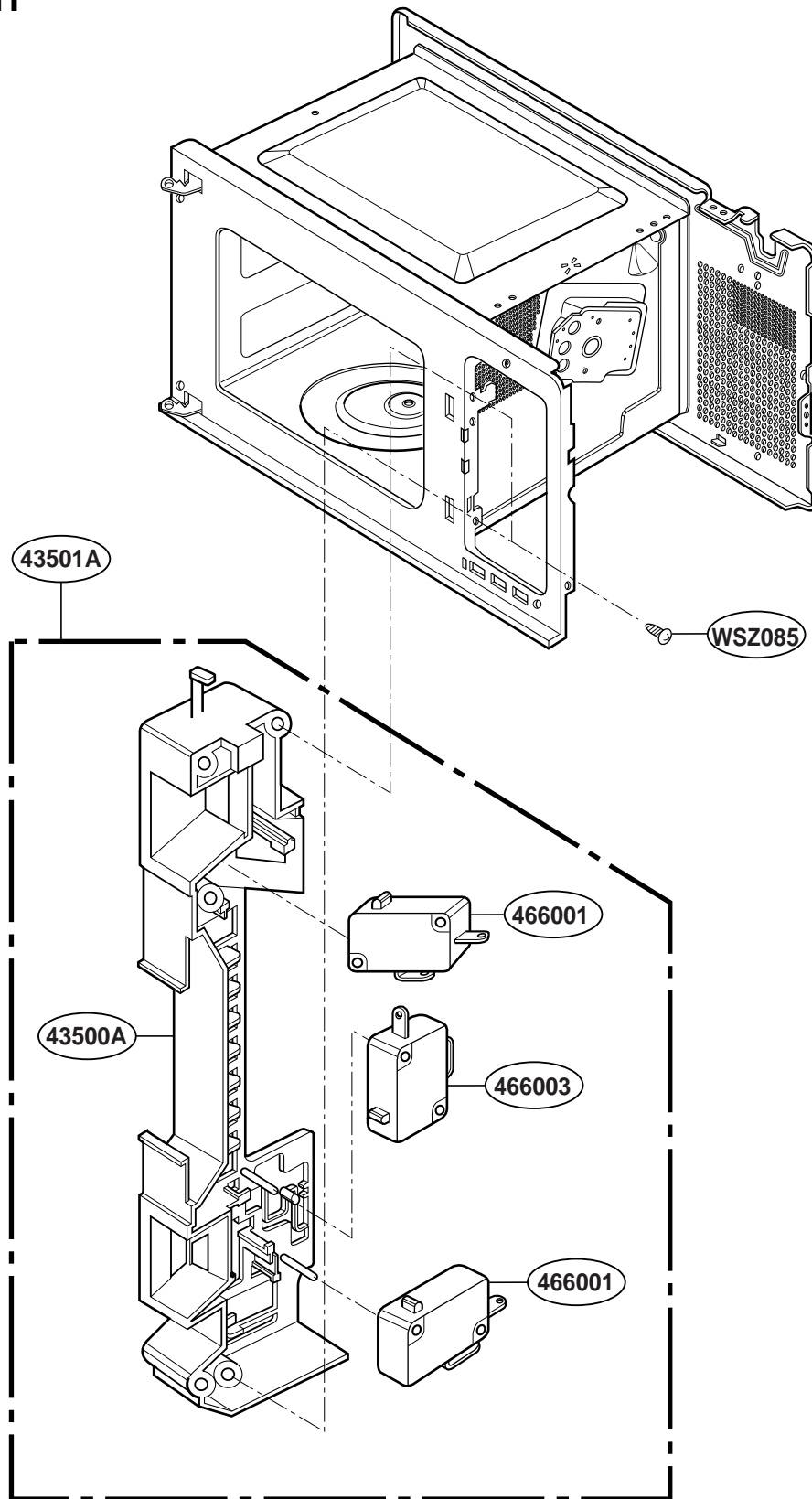
OVEN CAVITY PARTS

MT3100SH



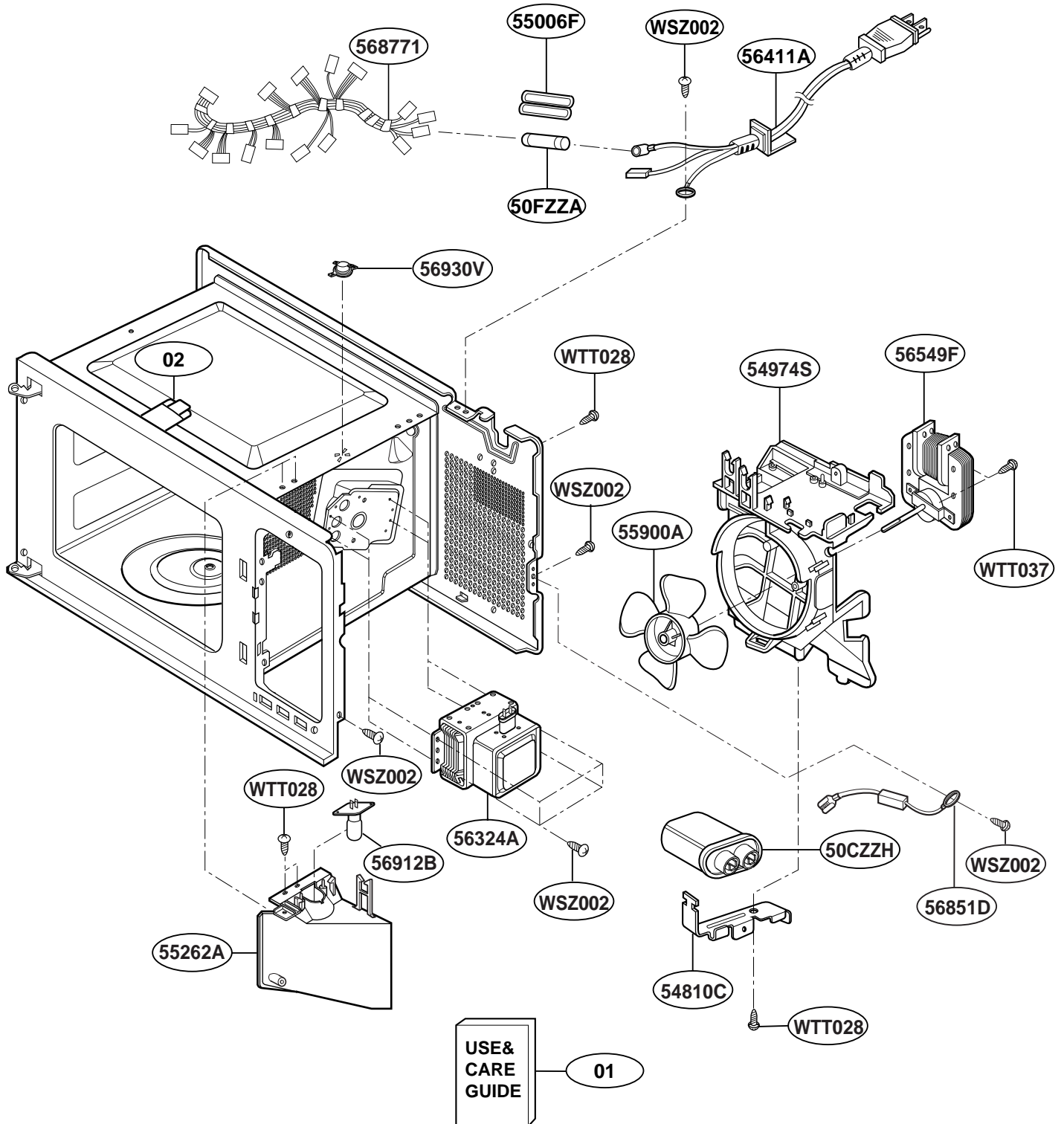
LATCH BOARD PARTS

MT3100SH



INTERIOR PARTS

MT3100SH



BASE PLATE PARTS

